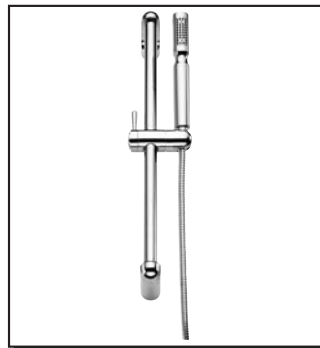
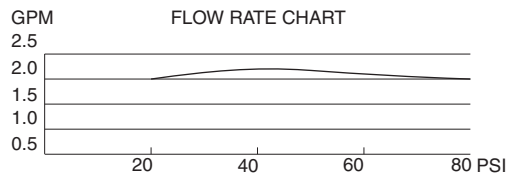


SHOWERSTICK™ PERSONAL SHOWER ON 24" SLIDE BAR

Description

- Backflow prevention
- Showerstick™ comes with 72" hose.
- Mount to your shower arm
- Wall mount

Flow & Valving



D465003

Available Colors & Finish

- Chrome
- Brushed Nickel (BN)

Flow Rate

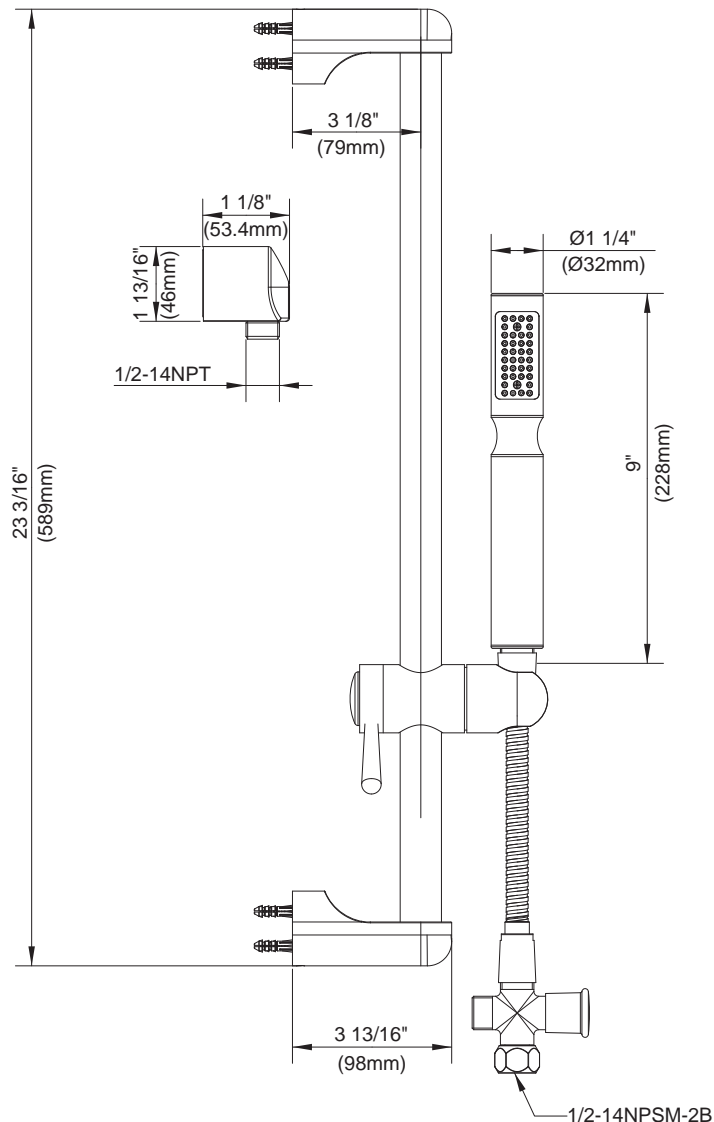
- Uniform high flow rates at all normal operating water pressures.
- Conforms to Energy Policy Act of 1992 – maximum flow rate at 80psi of 2.5gpm.

Standards

- Listed IAPMO/UPC
- CSA B125
- Energy policy act of 1992

Warranty

Danze products are covered by a manufacturer's limited "lifetime" warranty for manufacturing defects.



Specific Features: _____ Submitted Model No.: _____

SD465003/01-09.02