

SPECIFICATIONS

ANTIOCH™ SINGLE HANDLE KITCHEN FAUCET

Model

D405521 (Replaces D403021 series)

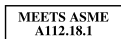
Description

- Ceramic disc valve
- 8 ¼" high spout, 9" spout length
- Matching brass spray
- 2 hole mount with optional deck plate

Standards



- UPC/cUPC
- NSF 61-9
- Energy policy act of 1992



- ASME A112.18.1



- CSA B125



- Meets CA AB-1953

Less than 0.25% Lead content

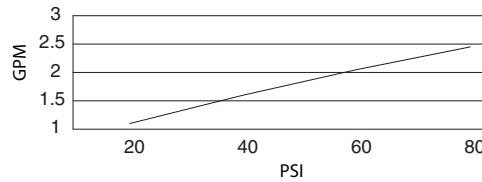


- ADA Accessibility Guidelines for Buildings and Facilities - 4.27.4 Controls and Mechanisms

Warranty

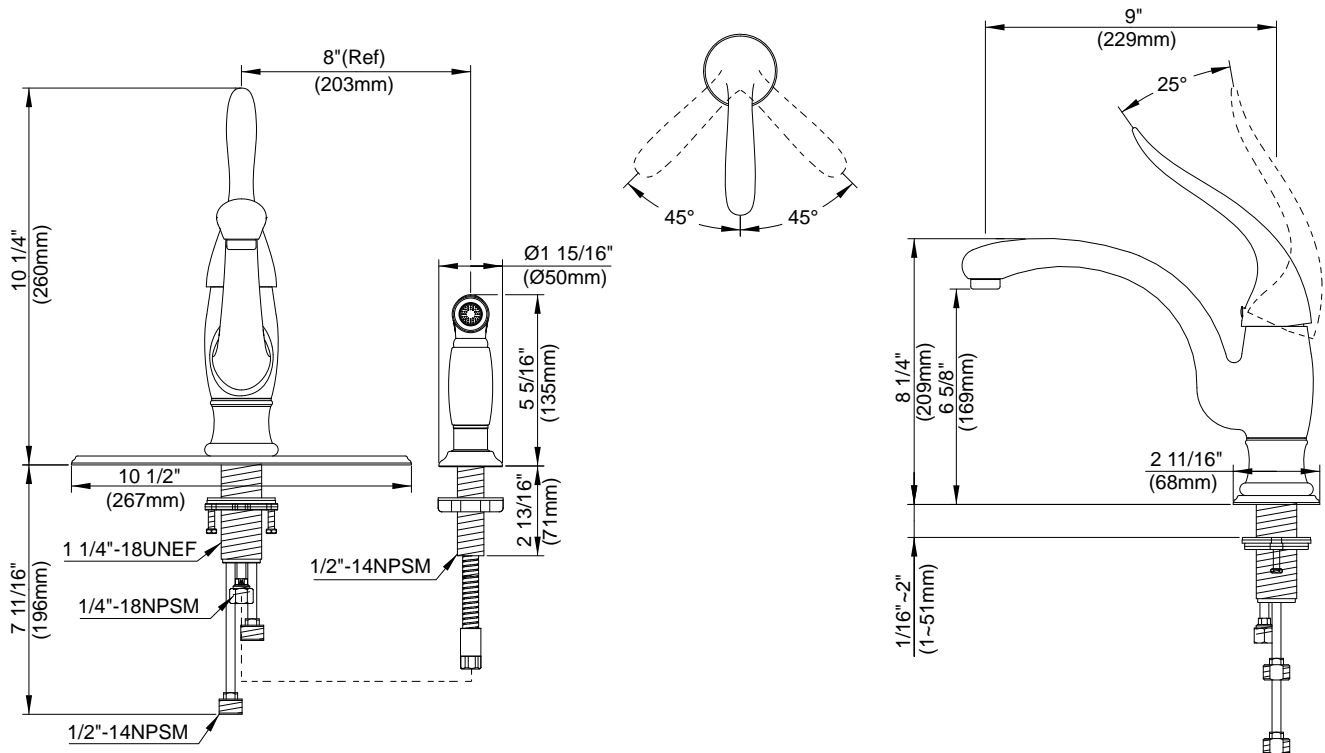
Danze products are covered by a manufacturer's limited "lifetime" warranty for manufacturing defects.

Flow Rate



Finishes Available

- Chrome
- Other: Refer to Price List for additional finish



Submittal Information:

Job Name: _____
 Contractor: _____

Location: _____
 Contact #: _____