

## SPECIFICATIONS

### TWO HANDLE WALL MOUNT ROUGH-IN VALVE

#### Model

D106800BT (Replaces D106100BT series)

#### Description

- Ceramic disc valve
- Combination 1/2" copper sweat/IPS connection
- Mounting plate included
- Can be installed with either 1.5 GPM or 2.2 GPM two handle wall mount faucet trims

#### Standards



• NSF 61-9

Certified to NSF/ANSI 61  
Section 2

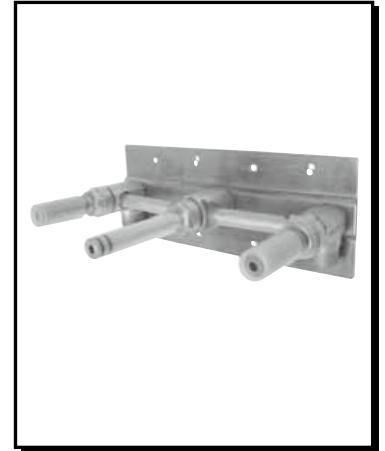


NSF/ANSI 372

- NSF/ANSI 372
- CSA B125.1

#### Warranty

Danze products are covered by a manufacturer's limited "lifetime" warranty for manufacturing defects.

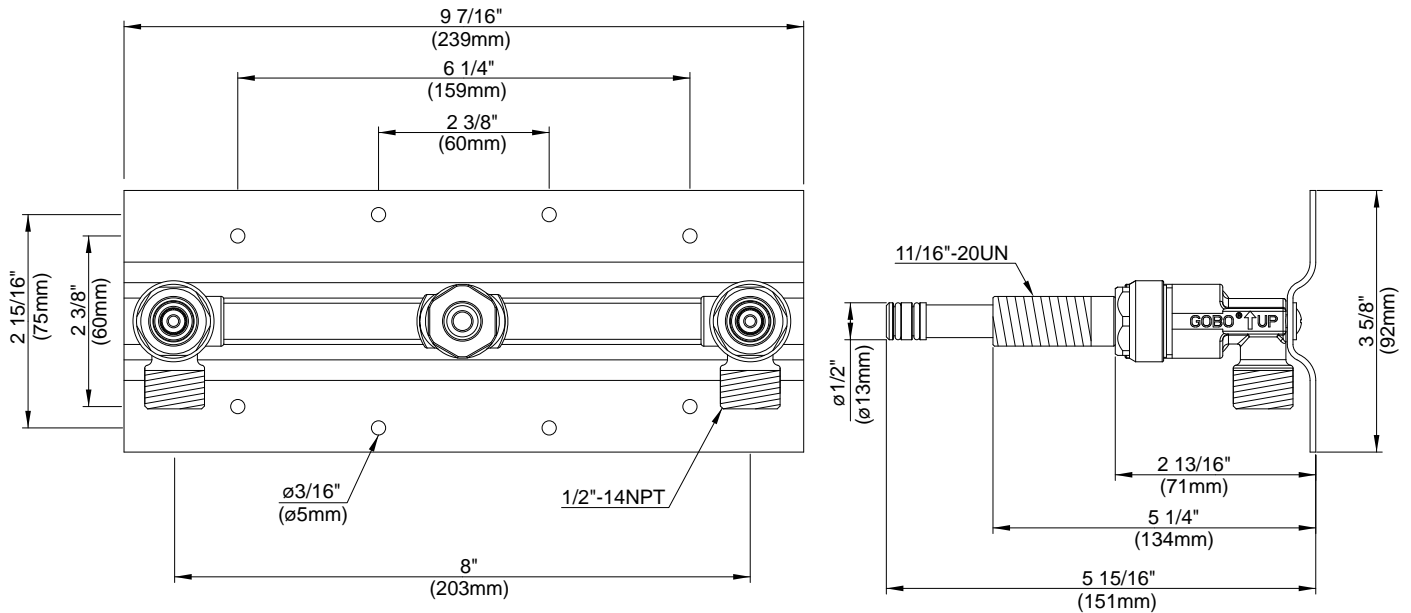


#### Special Packaging

- Trim kits for this valve are packaged separately

#### Available Models

- Fits Danze two handle wall mount faucet trims
- Model numbers for trim kit items include the suffix "T"



#### Submittal Information:

Job Name: \_\_\_\_\_

Location: \_\_\_\_\_

Contractor: \_\_\_\_\_

Contact #: \_\_\_\_\_