

SPECIFICATIONS

SHERIDAN™ TRIM ONLY SINGLE HANDLE PRESSURE BALANCE TUB & SHOWER FAUCET

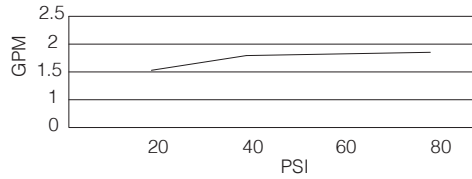
Model

D502155T (Tub & Shower trim)
 D502555T (Shower only trim)

Description

- Mono Round® 3 1/2" Showerhead D460053
- 6" brass showerarm
- Solid brass handle
- Diverter on spout
- Use with valve: D1120 series (w/ stops) or D1150 series (w/o stops) or D1125 series (w/ stops) or D1155 series(w/o stops)
- 2.0gpm (7.6 L/min) maximum flow rate @80psi
- Meets CEC Requirements

Flow Rate



Standards



• UPC/cUPC



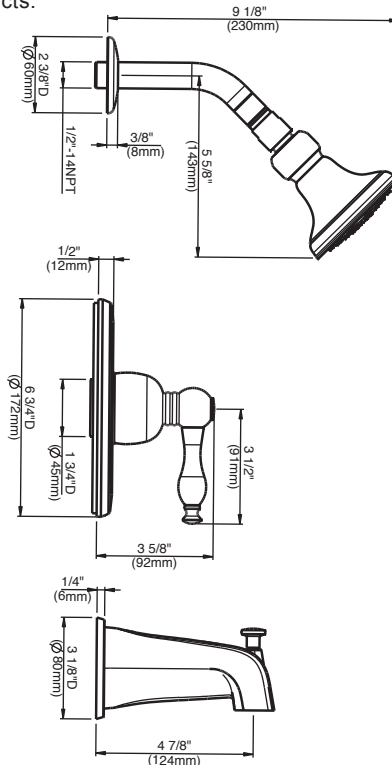
• ASME A112.18.1M/ A112.18.1



• ADA Accessibility Guidelines for Buildings and Facilities - 309.4 Operation and Operable Parts

Warranty

Danze products are covered by a manufacturers limited "lifetime" warranty for manufacturing defects.



Finishes Available

- Chrome
- Other: Refer to PriceList for additional finish

Submittal Information:

Job Name: _____
 Contractor: _____

Location: _____
 Contact #: _____