

**SPECIFICATIONS**

**FLORIN™ SUPPLY MOUNT ASSEMBLY**

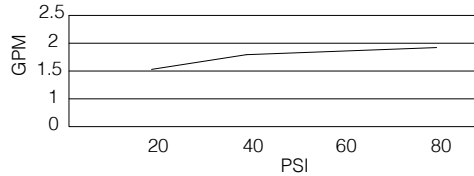
**Model**

D461535

**Description**

- 5 function Florin™ handshower: wide, centerjet, aeration, massage and wide + centerjet
- 72" metal hose
- Supply mount assembly provides code approved back flow prevention  $\Omega$
- Dual Valve™ technology
- 2.0gpm (7.6 L/min) maximum flow rate @20-80psi
- Meets CEC requirements

**Flow Rate**



**Standards**



• UPC/cUPC



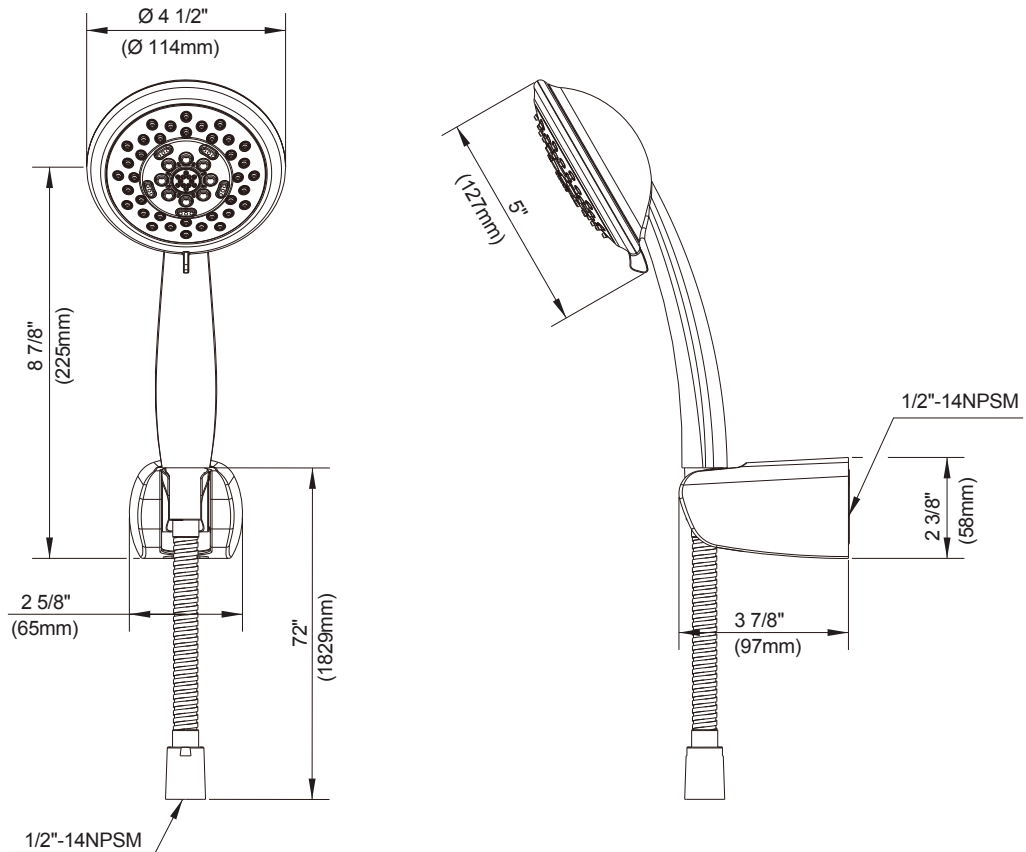
• ASME A112.18.1M/ A112.18.1

**Warranty**

Danze products are covered by a manufacturer's limited "lifetime" warranty for manufacturing defects.

**Finishes Available**

- Chrome
- Other: Refer to Price List for additional finish



Submittal Information:

Job Name: \_\_\_\_\_

Location: \_\_\_\_\_

Contractor: \_\_\_\_\_

Contact #: \_\_\_\_\_