

SPECIFICATIONS

SURGE[®] SUPPLY MOUNT ASSEMBLY HANDSHOWER KIT

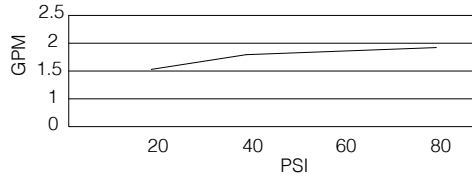
Model

D461524

Description

- 5 function Surge[®] handshower: wide, centerjet, aeration, massage and wide + centerjet
- 72" metal hose
- Supply mount assembly provides code approved back flow prevention Ω
- Dual Valve[™] technology
- 2.0gpm (7.6 L/min) maximum flow rate @20-80psi
- Meets CEC requirements

Flow Rate



Standards



• UPC/cUPC



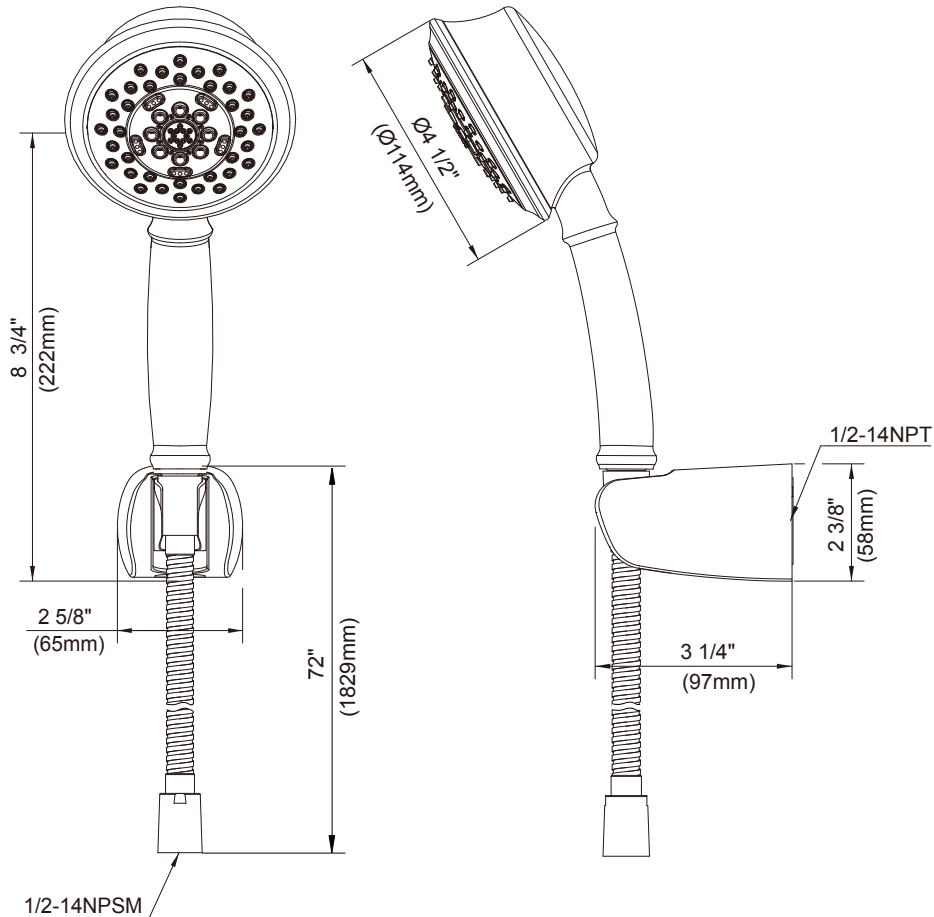
• ASME A112.18.1M/ A112.18.1

Warranty

Danze products are covered by a manufacturer's limited "lifetime" warranty for manufacturing defects.

Finishes Available

- Chrome
- Other: Refer to Price List for additional finish



Submittal Information:

Job Name: _____

Location: _____

Contractor: _____

Contact #: _____