

**SPECIFICATIONS**

**PARMA™ SINGLE HANDLE KITCHEN FAUCET WITH SPRAY**

**Model**

D400058

**Description**

- Ceramic disc valve
- 10 3/8" high spout, 8 1/2" spout length
- Matching brass spray
- 2 hole mount
- Maximum flow rate on aeration at 1.75gpm & side spray as temporary flow at 2.2gpm
- Meets CEC requirements

**Standards**



NSF/ANSI 372

- NSF/ANSI 372

MEETS ASME A112.18.1M/A112.18.1

- ASME A112.18.1M/A112.18.1

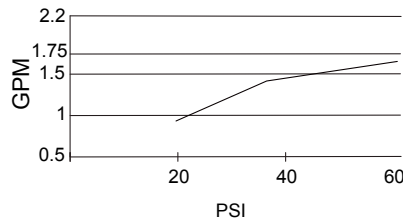


- ADA Accessibility Guidelines for Buildings and Facilities - 309.4 Operation for Operable Parts

**Warranty**

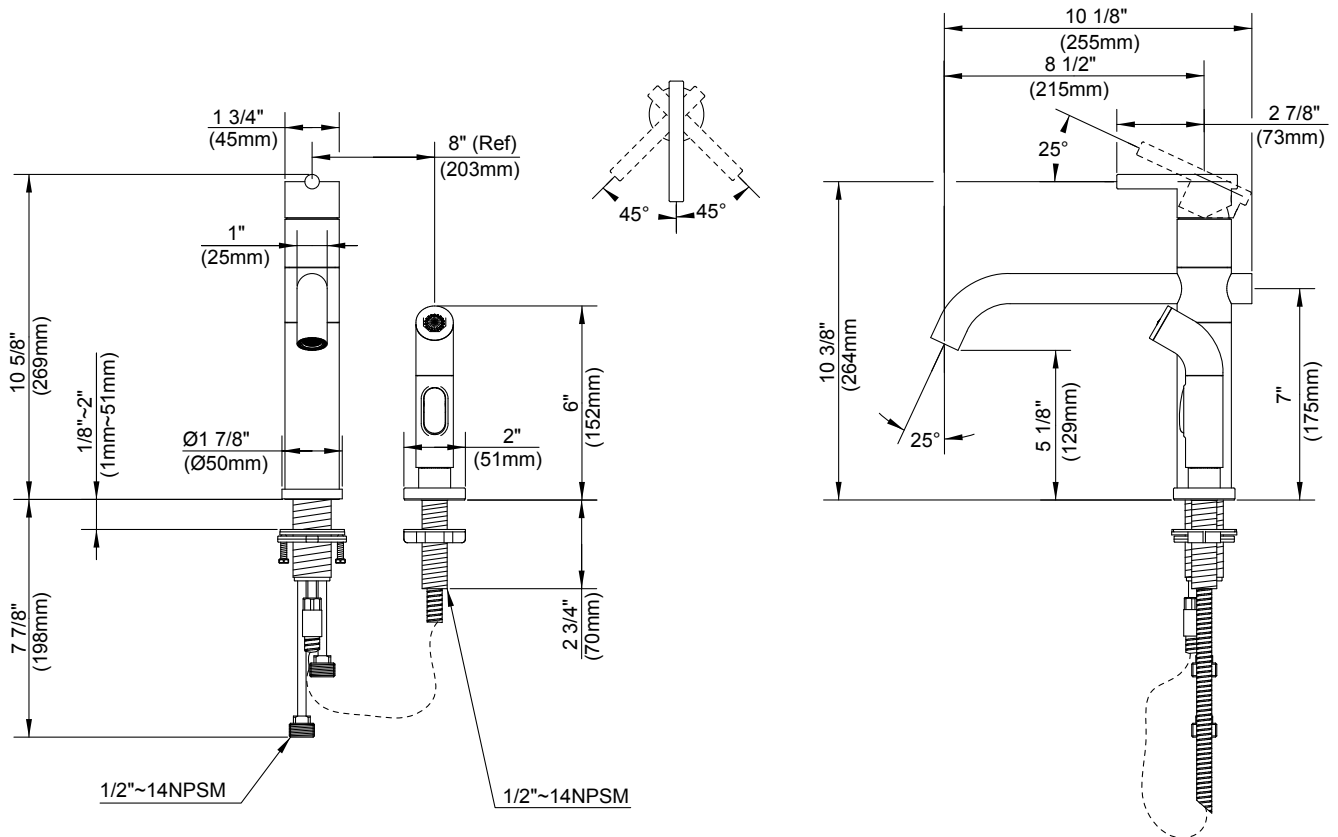
Danze products are covered by a manufacturer's limited "lifetime" warranty for manufacturing defects.

**Aeration Flow Rate**



**Finishes Available**

- Chrome
- Other: Refer to Price List for additional finish



**Submittal Information:**

Job Name: \_\_\_\_\_  
 Contractor: \_\_\_\_\_

Location: \_\_\_\_\_  
 Contact #: \_\_\_\_\_