

SPECIFICATIONS

MELROSE™ SINGLE HANDLE KITCHEN FAUCET WITH SPRAY

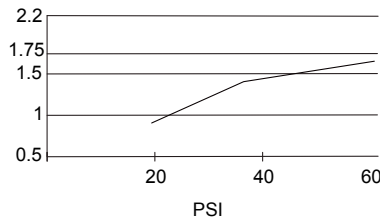
Model

D405112

Description

- Ceramic disc valve
- 7" high spout, 9" spout length
- Matching spray
- 3 hole mount with optional deck plate DA66F066T
- Maximum flow rate on aeration at 1.75gpm & side spray as temporary flow at 2.2gpm
- Meets CEC requirements

Aeration Flow Rate



Standards



NSF/ANSI 372

- NSF/ANSI 372

MEETS ASME A112.18.1M/A112.18.1

- ASME A112.18.1M/A112.18.1



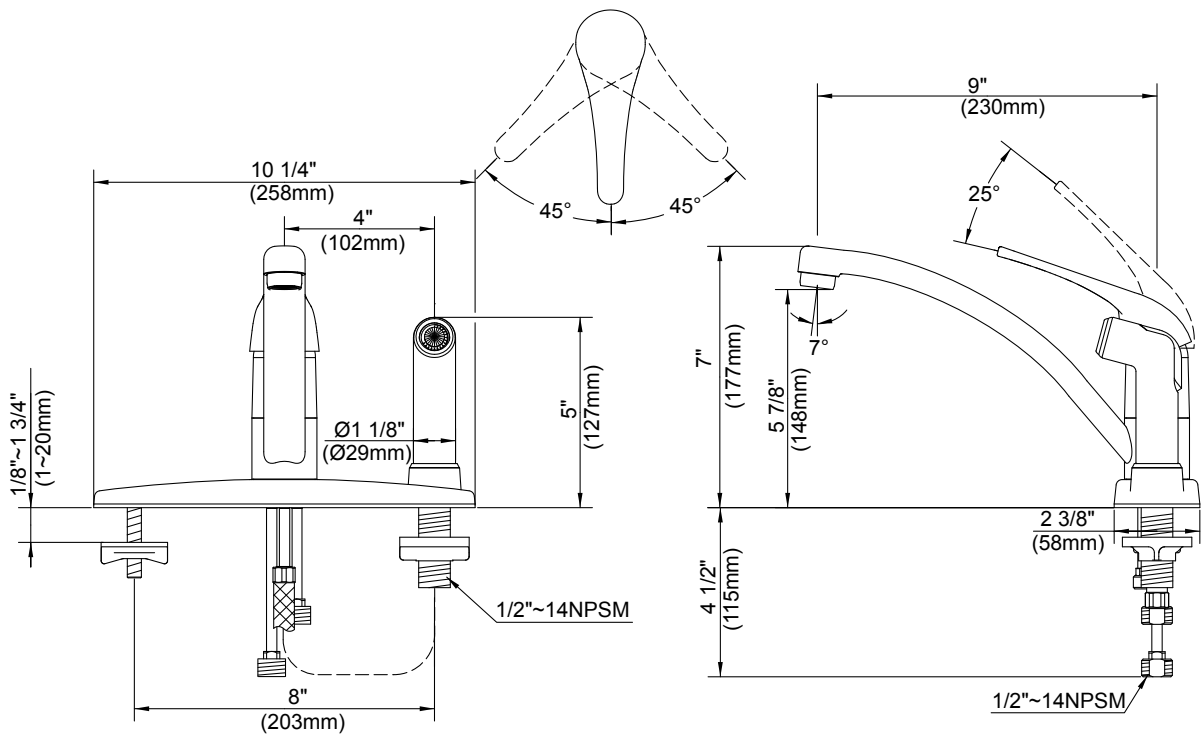
- ADA Accessibility Guidelines for Buildings and Facilities - 309.4 Operation for Operable Parts

Finishes Available

- Chrome
- Other: Refer to Price List for additional finish

Warranty

Danze products are covered by a manufacturer's limited "lifetime" warranty for manufacturing defects.



Submittal Information:

Job Name: _____

Location: _____

Contractor: _____

Contact #: _____