

SPECIFICATIONS

FAIRMONT™ SINGLE HANDLE BAR & CONVENIENCE FAUCET

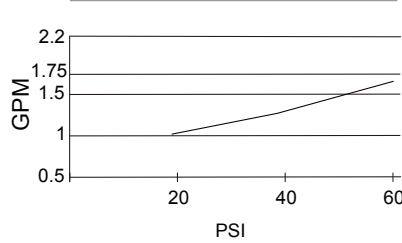
Model

D150540

Description

- Ceramic disc valve
- 11" high swivel spout, 5 1/2" spout length
- Single hole mount
- 1.75gpm (6.6 L/min) maximum flow rate @60 psi
- Meets CEC requirements

Flow Rate



Standards



NSF/ANSI 372

- NSF/ANSI 372

MEETS ASME
A112.18.1M/A112.18.1

- ASME A112.18.1M/A112.18.1



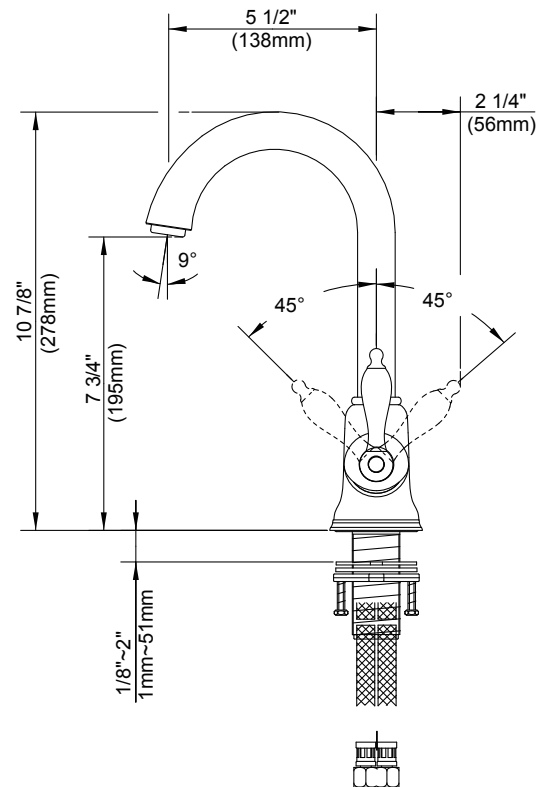
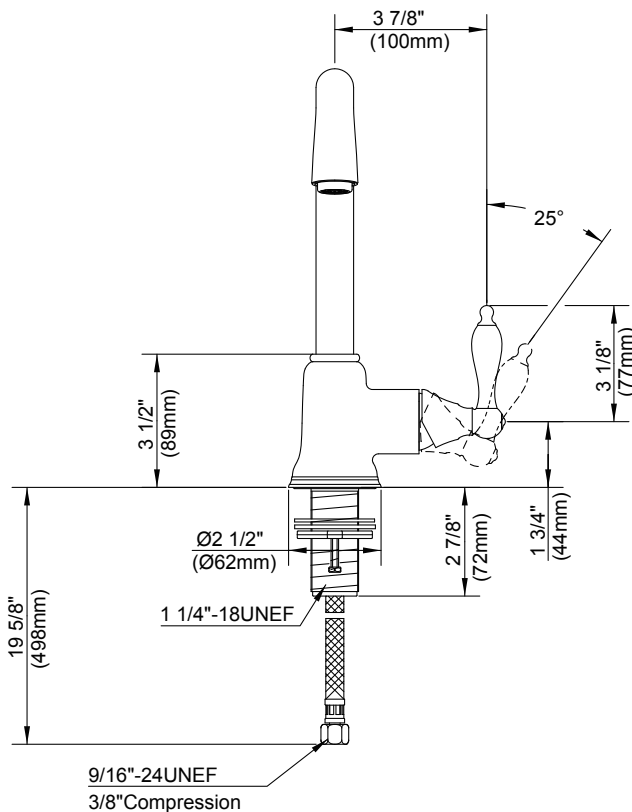
- ADA Accessibility Guidelines for Buildings and Facilities - 309.4 Operation for Operable Parts

Finishes Available

- Chrome
- Other: Refer to Price List for additional finish

Warranty

Danze products are covered by a manufacturer's limited "lifetime" warranty for manufacturing defects.



Submittal Information:

Job Name: _____
Contractor: _____

Location: _____
Contact #: _____