

SPECIFICATIONS

OPULENCE™ SINGLE HANDLE PULL-DOWN KITCHEN FAUCET

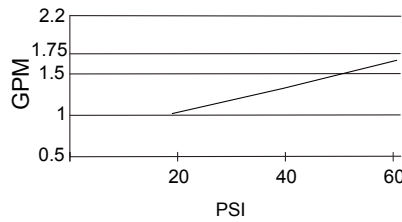
Model

D454457

Description

- Ceramic disc valve
- 17" high spout, 8" spout length
- 2 function spray/aerated stream
- Quiet running hose with spring retraction
- Single hole mount with optional deck plate DA607955
- Maximum flow rate on aeration at 1.75gpm & side spray as temporary flow at 2.2gpm
- Meets CEC requirements

Aeration Flow Rate



Standards



• NSF/ANSI 372



• ASME A112.18.1M/A112.18.1



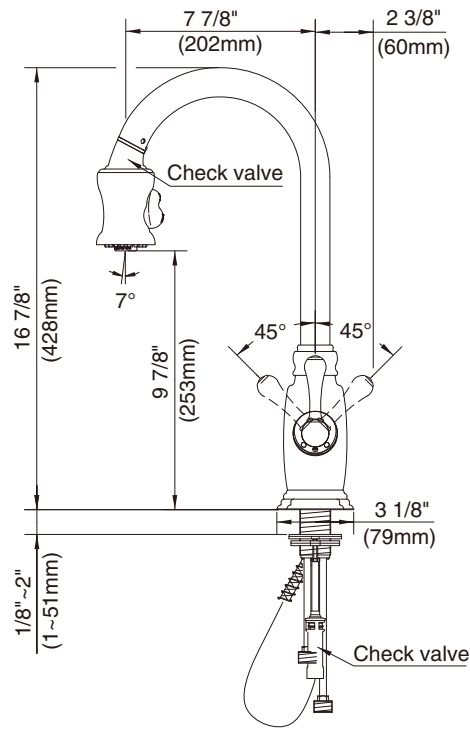
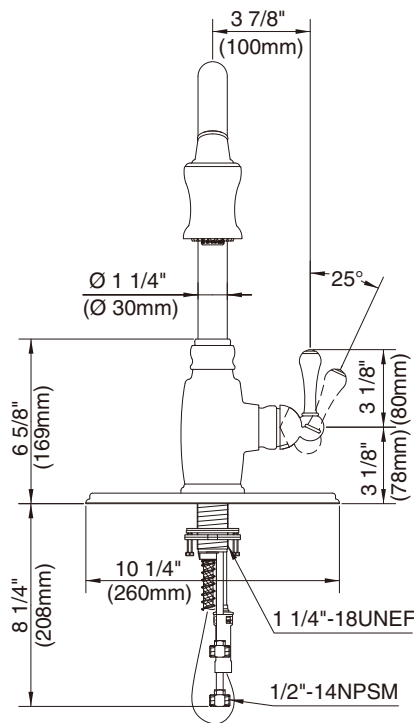
• ADA Accessibility Guidelines for Buildings and Facilities - 309.4 Operation for Operable Parts

Finishes Available

- Chrome
- Other: Refer to Price List for additional finish

Warranty

Danze products are covered by a manufacturer's limited "lifetime" warranty for manufacturing defects.



Submittal Information:

Job Name: _____
 Contractor: _____

Location: _____
 Contact #: _____