

SPECIFICATIONS

DID-U-WAVE™ KITCHEN PULL-DOWN FAUCET

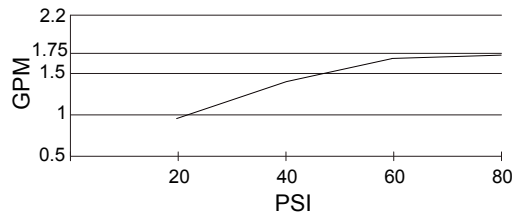
Model

D423607 (DC/Battery)

Description

- Ceramic disc cartridge for drip free performance
- 17 3/8" high swivel spout, 8 1/8" spout length
- 300° swivel spout
- Dual function spray head; spray/aerated stream
- SnapBack™ retraction with Grip Lock™ weight
- 8" deck plate DA665051 sold separately for single hole mounting
- Features Dual Operation: Hands free with the wave of the hand or manual
- 1.75gpm (6.6L/min) maximum flow rate @60psi

Flow Rate



Standards



NSF/ANSI 372

- NSF/ANSI 372

MEETS ASME A112.18.1M/A112.18.1

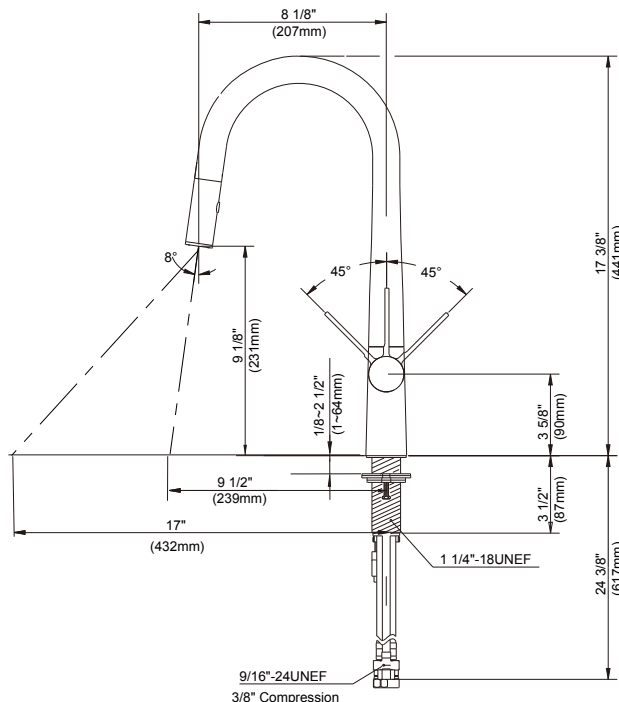
- ASME A112.18.1M/A112.18.1



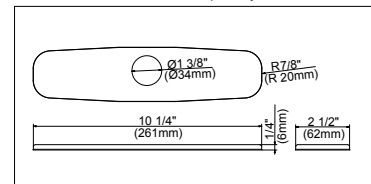
- ADA Accessibility Guidelines for Buildings and Facilities - 309.4 Operation and Operable Parts

Warranty

A manufacturer's limited "lifetime" warranty covers all non-electronic parts of Danze faucets for manufacturing defects and a manufacturer's five (5) year warranty covers all electronic parts of the Danze faucet for manufacturing defects.



8" Deck Plate DA665051 Sold Separately

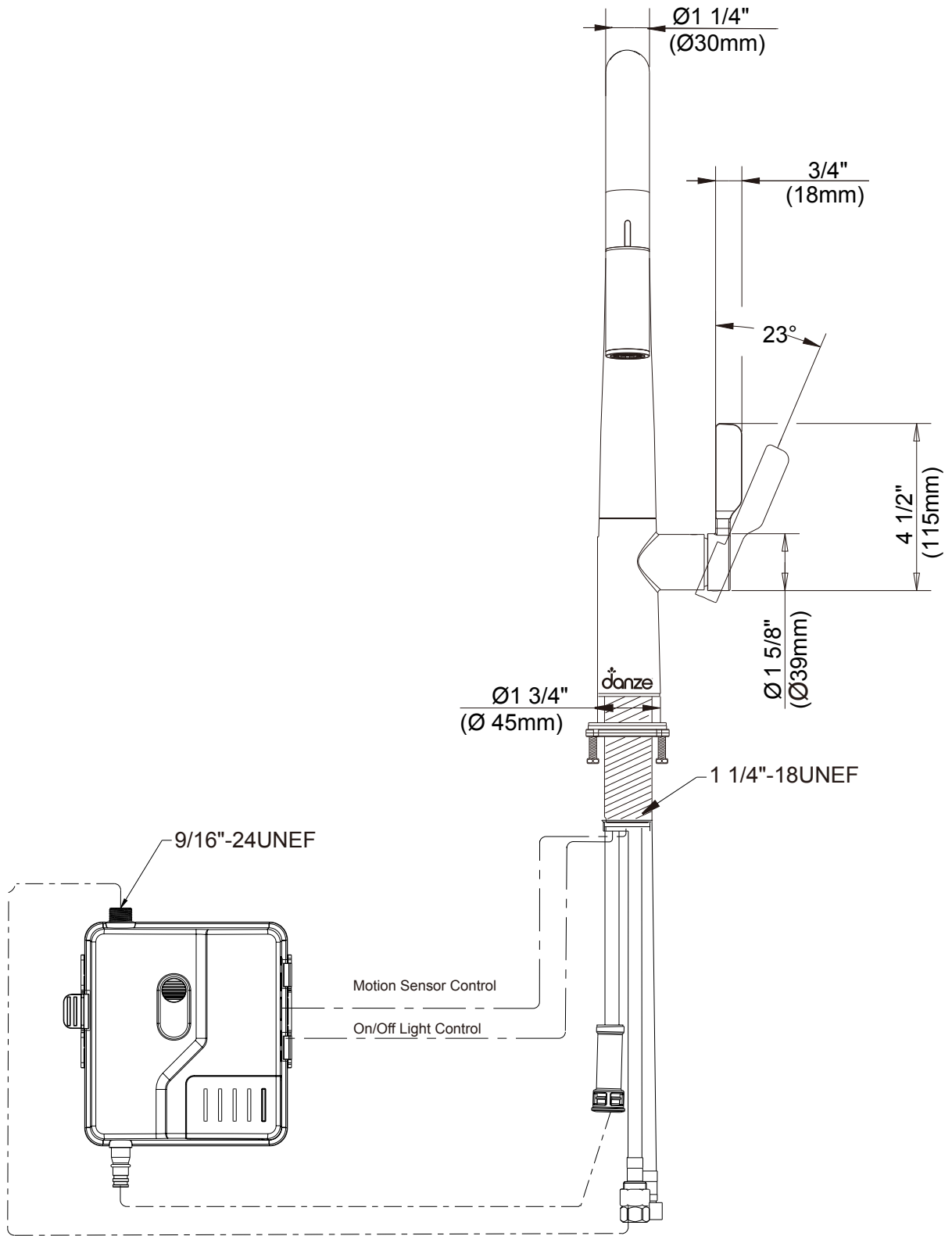


Submittal Information:

Job Name: _____
 Contractor: _____

Location: _____
 Contact #: _____

SPECIFICATIONS



Submittal Information:

Job Name: _____

Location: _____

Contractor: _____

Contact #: _____