

Model

DH520510

Description

- Scald preventing pressure balance valve with service stops
- Use with ½" copper pipe of ½" threaded connections
- 4" Honor 1, 1-function showerhead, 2.5 gpm

Standards



- UPC/cUPC
- Energy policy act of 1992



- ASME A112.18.1



- ASSE 1016

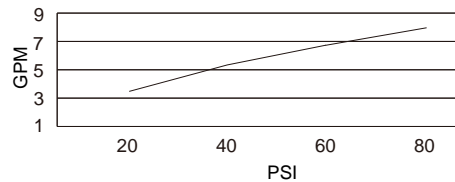


- ADA Accessibility Guidelines for Buildings and Facilities - 4.27.4 Controls and Mechanisms

Warranty

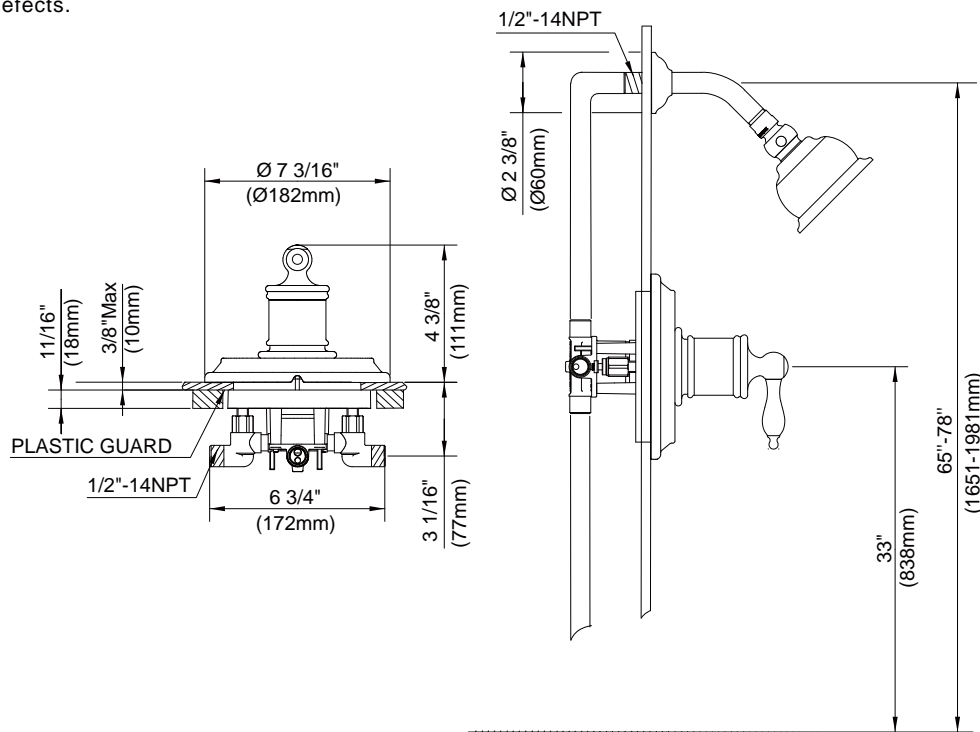
H+C waterware products are covered by a manufacturer's limited "lifetime" warranty for manufacturing defects.

Flow Rate



Finishes Available

- Chrome
- Other: Refer to Price List for additional finish



Submittal Information:

Job Name: _____

Location: _____

Contractor: _____

Contact #: _____