

Model

DH520515

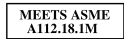
Description

- Scald preventing pressure balance valve
- Use with ½" copper pipe or ½" threaded connections
- 4 ½" 1-function showerhead, A112.18.1M, 2.5 gpm (9.5 LPM) maximum flow rate @ 80 psi

Standards



- UPC/cUPC
- Energy policy act of 1992



- ASME A112.18.1M



- ASSE 1016

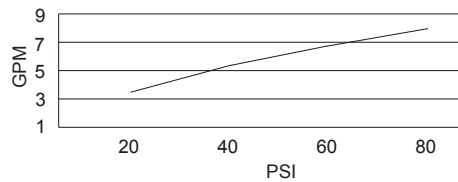


- ADA Accessibility Guidelines for Buildings and Facilities - 4.27.4 Controls and Mechanisms

Warranty

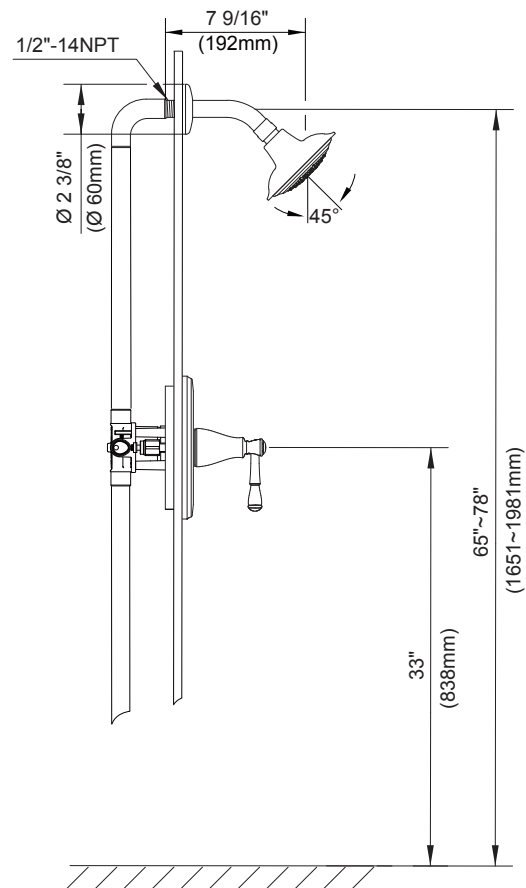
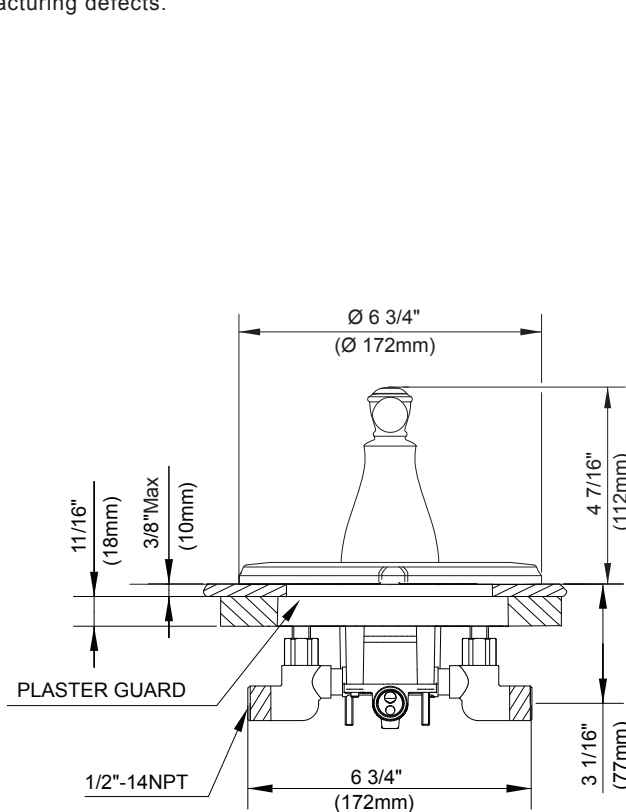
H+C waterware products are covered by a manufacturer's limited "lifetime" warranty for manufacturing defects.

Flow Rate



Finishes Available

- Chrome
- Other: Refer to H+C Waterware website for additional finish



Critical Dimensions : Pressure Balance Valve DH115500BT (w/o stops)

W/O SCREWDRIVER STOPS

