



- **OWNER'S USE AND CARE GUIDE**
- **GUIDE D'UTILISATION ET SOIN DE PROPRIÉTAIRE**
- **GUÍA DE UTILIZACIÓN Y CUIDADO PARA EL PROPIETARIO**

- **DIM32D1BSSPR**

CAUTION

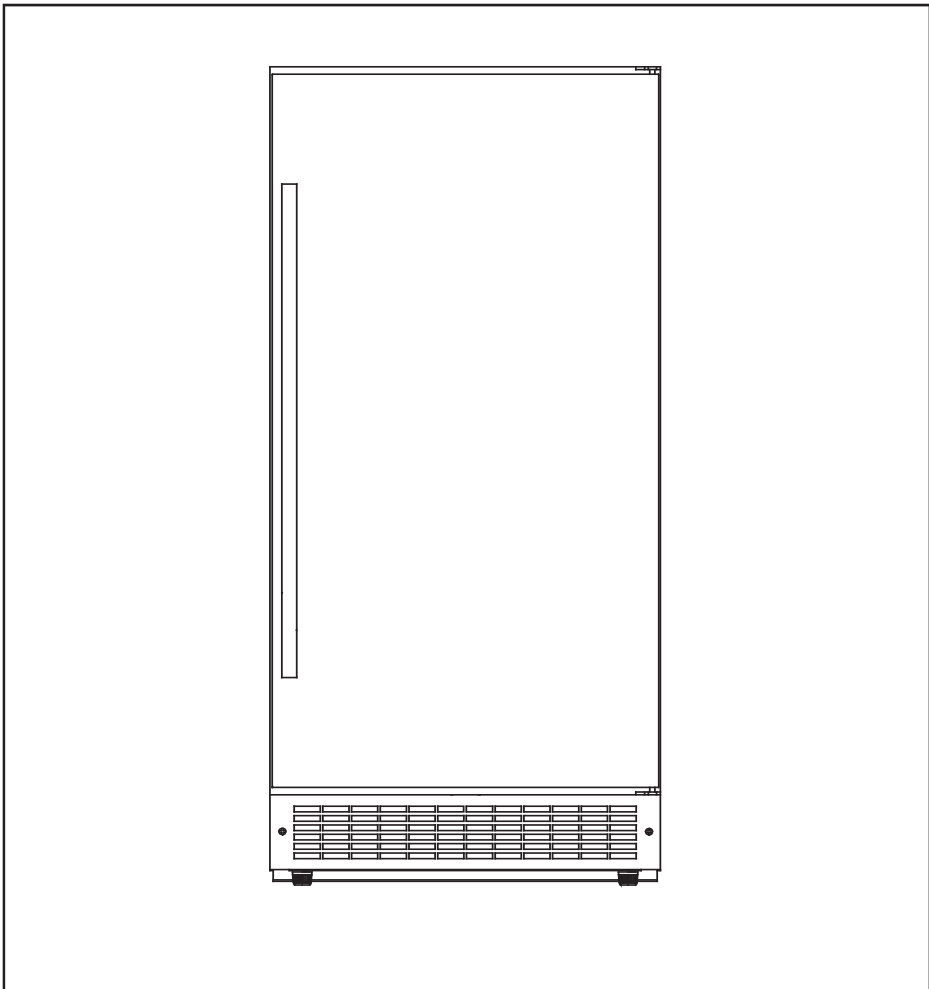
Read and follow all safety rules and operating instructions before first use of this product.

PRÉCAUTION

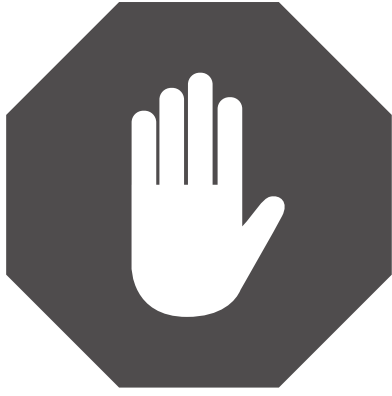
Veuillez lire attentivement les consignes de sécurité et les instructions d'utilisation avant l'utilisation initiale de ce produit.

PRECAUCIÓN

Lea y observe todas las reglas de seguridad las instrucciones de operación antes de usar esto producto por primera vez.



1-844-455-6097



1-844-455-6097

DO NOT RETURN THIS UNIT TO THE RETAILER WITHOUT FURTHER INSTRUCTIONS

Dear Valued Customer: We hope your Silhouette appliance fulfills all of your entertaining needs. Your satisfaction is our priority. Please contact our Customer Care Center toll-free via 1.844.455.6097 for any inquiries you may have about your new purchase.

NE PAS RETOURNER CET APPAREIL AU DÉTAILLANT JUSQU'À NOUVEL ORDRE

Cher client : nous espérons que votre appareil Silhouette répond adéquatement à tous vos besoins de divertissement. Notre priorité étant de vous satisfaire, si vous avez des questions ou des préoccupations relativement à votre nouvelle acquisition, veuillez communiquer avec notre Centre de service à la clientèle au numéro sans frais 1.844.455.6097.

NO DEVUELVA ESTA UNIDAD AL VENDEDOR SIN ANTES RECIBIR INSTRUCCIONES ADICIONALES

Estimado cliente: Esperamos que su aparato "Silhouette" pueda satisfacer todas sus necesidades. Su satisfacción es nuestra prioridad. Por favor, póngase en contacto con nuestro Centro de Atención al Cliente al número gratuito 1.844.455.6097, para cualquier consulta o pregunta que usted pueda tener acerca de su nueva compra.



TO OBTAIN WARRANTY SERVICE YOU MUST PROVIDE A VALID PROOF OF PURCHASE. PLEASE STAPLE YOUR RECEIPT TO THIS PAGE FOR FUTURE REFERENCE.

POUR OBTENIR LE SERVICE SUR GARANTIE VOUS DEVEZ FOURNIR UNE PREUVE D'ACHAT VALIDE. S'IL VOUS PLAÎT AGRAFE VOTRE REÇU A CETTE PAGE POUR LA REFERENCE FUTURE.

PARA OBTENER SERVICIO DE GARANTÍA, DEBE PROVEER UN RECIBO ORIGINAL. POR FAVOR ENGRAPE SU RECIBO A ÉSTA PÁGINA EN CASO QUE NECESITE HACER UN RECLAMO.



IMPORTANT

This machine is intended to produce ice only. It is not intended for the long-term storage of ice. Move any excess ice into a freezer for long-term storage (>6 hours) if you desire to keep it. Ice that is left to sit in the bucket will melt over time.



IMPORTANT

Cette machine a été conçue pour produire de la glace seulement. Elle ne doit pas être utilisée pour stocker de la glace à long terme. Déplacez la glace en surplus dans un congélateur pour un stockage à long terme (>6 heures) si vous désirez la garder. La glace qui reste dans le seau fondra.



IMPORTANTE

Esta máquina está diseñada para producir solamente hielo. No está diseñada para almacenar hielo a largo plazo. Traslade el hielo sobrante a un congelador para almacenarlo a largo plazo (más de 6 horas) si desea conservarlo. El hielo que quede en la cubeta se derretirá con el tiempo.

CONTENTS

TABLE DES MATIÈRES

ÍNDICE

BUILT IN ICE MAKER

Owner's Use and Care Guide1-10

- Welcome
- Important Safety Information
- Installation Instructions
- Operation Instructions
- Care and Maintenance
- Troubleshooting
- Warranty

MACHINE À GLAÇONS

Guide d'utilisation et d'entretien du propriétaire.....11-20

- Bienvenue
- Consignes de sécurité importantes
- Consignes d'installation
- Consignes d'utilisation
- Soins et entretien
- Dépannage
- Garantie

EQUIPO PARA FABRICAR HIELO

Guía de utilización y cuidado para el propietario.....21-30

- Bienvenido
- Información importante sobre seguridad
- Instrucciones de instalación
- Instrucciones de funcionamiento
- Cuidado y mantenimiento
- Solución sugerida
- Garantía

CAUTION:

Read and follow all safety rules and operating instructions before first use of this product.

PRÉCAUTION :

Veillez lire attentivement les consignes de sécurité et les instructions d'utilisation avant l'utilisation initiale de ce produit.

PRECAUCIÓN:

Lea y observe todas las reglas de seguridad y las instrucciones de operación antes de usar este producto por la primera vez.

Volts / Hertz / Amps / Watts	115V	60Hz	2.6A	240W
Volts / Hertz / Ampères / Watts	115V	60Hz	2.6A	240W
Volts / Hertz / Amperios / Vatios	115V	60Hz	2.6A	240W

- Makes up to 32 lbs daily / ice box capacity is 25 lbs
- Produit jusqu'à 32 lb par jour / capacité de la glacière e 25 lb
- Produce hasta 32 lb al día / la capacidad de la caja de hielo es de 25 lb

Silhouette ©/MD Thank you for choosing Silhouette

We know you're excited. We are too! However, the more familiar you are with your new appliance, the better experience you will have. We therefore strongly suggest that you **read this Owner's Manual before plugging in your new appliance**. It contains important operational information that will help you make full use of the technical features available in your appliance. The manual also contains information designed to enhance operating reliability and safety, as well as tips to maintaining your new appliance so that it brings you happiness for years to come.

Please visit www.silhouetteappliances.com to access self-service tools, FAQs and more. Should you need additional assistance, please call 1-844-455-6097.

**Note: You will need the below information to obtain service under warranty.
To receive service, you must provide the original receipt.**

Model Number:	_____
Serial Number:	_____
Date of Purchase:	_____

NEED HELP?

Before you call for service, here are a few things you can do to help us serve you better:

Read this Owner's Manual:

It contains instructions to help you use and maintain your appliance properly.

If you received a damaged appliance:

Immediately contact the retailer (or builder) that sold you the appliance.

Save time and money:

Check the Troubleshooting section at the end of the guide before calling. This section helps you solve common problems that may occur.

If you do need service, you can relax, knowing help is only a phone call away.



IMPORTANT SAFEGUARDS

READ ALL SAFETY INFORMATION BEFORE USING



WARNING: RISK OF CHILD ENTRAPMENT!

An empty ice maker is a very dangerous attraction to children. Remove either the gasket, latches, lock and/or doors from unused or discarded appliances, or take some other action to guarantee it harmless. **DON'T WAIT, DO IT NOW!**



WARNING

To avoid installation/operation difficulties, refer to separate installation guide.



IMPORTANT

When installing the unit **DO NOT** kink the drain hose!

GROUNDING INSTRUCTIONS

- This appliance must be grounded. In the event of an electrical short circuit, grounding reduces the risk of electric shock by providing an escape wire for the electric current.
- This appliance is equipped with a power cord that has a grounding wire and grounding plug. The plug must be plugged into an outlet that is properly installed and grounded.
- Consult a qualified electrician or service technician if the grounding instructions are not completely understood, or if doubt exists as to whether the appliance is properly grounded.
- If the outlet is a standard 2-prong wall outlet, it is your personal responsibility and obligation to have it replaced with a properly grounded 3-prong wall outlet.
- Plug the unit into an exclusive, properly installed grounded wall outlet.
- **Do not** under any circumstances cut or remove the third (ground) prong from the power cord.
- **Do not** use an adapter plug with this appliance.
- **Do not** use an extension cord with this appliance. If the power cord is too short, have a qualified electrician or service technician install an outlet near the appliance.



WARNING

Improper use of the grounding plug can result in a risk of electric shock.

SAVE THESE INSTRUCTIONS!

IMPORTANT SAFEGUARDS

READ ALL SAFETY INFORMATION BEFORE USING

GROUNDING INSTRUCTIONS

- Do not operate this appliance if it has a damaged power cord or plug, if it is not working properly, or if the appliance has been damaged or dropped.
- Never allow children to operate, play with, or crawl inside the appliance.
- Never clean appliance parts with flammable fluids. The fumes can create a fire hazard or explosion.
- Do not store or use gasoline or any other flammable vapors or liquids in the vicinity of this or any other appliance. The fumes can create a fire hazard or explosion.
- Do not splice the power cord that is equipped with this appliance.
- Keep power cord away from heated surfaces.
- Do not immerse power cord plug or the appliance itself in water.
- Do not use this product near water, for example in a wet basement or near a sink.
- Do not use corrosive chemicals or vapors in this appliance.
- Use this appliance only for its intended use, as described in this manual.
- See door surface cleaning instructions in the Care and Cleaning section(s) of this manual.
- Do not cover or block any openings on the appliance.
- This appliance is intended for household use only. Do not attempt to operate or store this appliance outdoors.
- This appliance should be serviced only by qualified service personnel. Contact the nearest authorized service facility for examination, repair or adjustment.

WARNING


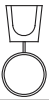


It is environmentally damaging to release many types of refrigerant into the atmosphere. Intentionally venting HCFC, CFC, or HFC refrigerant is illegal and punishable by law. Do not tamper with any of the refrigerant-containing components of this appliance. Ensure that you are following municipal bylaws when disposing of this or any other refrigeration appliance.

SAVE THESE INSTRUCTIONS!

OPERATING INSTRUCTIONS

CONTROLS OF THE ICE MAKER

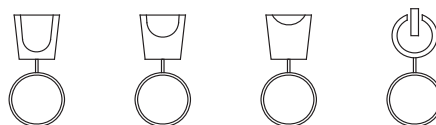
The ice maker should be placed where the ambient temperature is between 10-32°C (50-90° F). If the ambient temperature is above or below this range, the performance of the unit may be affected.

Control	Type	Action	Function Explanation
	Button	Press	To turn the ice maker on/off (press and hold this button for approximately 3 seconds)
	Button	Press	Small ice
	Button	Press	Medium ice
	Button	Press	Large ice



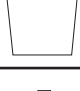




Check the water supply

1. Turn off water supply.
2. Disconnect water supply line from the ice maker.
3. Position water supply line in a bucket.
4. Turn on water and make sure water pours into the bucket.
5. Turn water supply off again, then reconnect the water supply line to the ice maker.

* If unsure, please contact your local plumber.



INDICATOR LIGHTS

	Single Indicator light	ON	Small ice is selected.
		FLASHING	① Water tank is full and beeping. (see troubleshooting section)
	Single Indicator light	ON	Medium ice is selected.
	Single Indicator light	ON	Large ice is selected.
		FLASHING	Ice bucket is full of ice
	Single Indicator light	ON	Compressor on
		OFF	Compressor off
		FLASHING	Stand-by mode
	Simultaneous Indicator lights	All on at the same time	② Ice maker low on water (see troubleshooting section)
	Simultaneous Indicator lights	2 sizes flashing at the same time for 15 seconds	③ Sensor breakdown (see troubleshooting section)
	Simultaneous Indicator lights	All icons flashing at the same time	④ System malfunction (see troubleshooting section)

OPERATING INSTRUCTIONS



IMPORTANT

This machine is intended to produce ice only. It is not intended for the long-term storage of ice. Move any excess ice into a freezer for long-term storage (>6 hours) if you desire to keep it.

CHANGING THE SIZE OF ICE

NOTE: Ice cube sizes differ by density and not volume. A large cube is the same size as a small cube but contains more frozen water.

1. Ensure the water supply is connected before changing ice size. The ice maker is automatically set to make medium ice. If you need to change the ice size, you can press the corresponding buttons (see previous page) and the chosen ice size will be indicated by the corresponding indicator light.
2. If you want to stop making ice but keep the unit on standby, press the power button for about 3 seconds. All ice indicator lights will turn off and the power indicator light will continue flashing. You are now in standby mode. Do not leave the unit in standby mode in excess of 6 hours. If you want to start making ice again, press the power button one more time.

CONTINUOUS WATER CIRCULATION

This unit operates using a continuous closed cycle of water, with little or no waste. When the unit is on and the water container is low, new water is allowed in from the water source. The water container fills up until the float on the water tank is triggered. The recirculation pump cycles water over the evaporator tray continuously until ice is produced. *This process is continuous as long as the unit is left on.*

Any water that enters the drain at the bottom of the ice maker cavity is not recycled. It goes into a separate receptacle with a separate drain system that drains out of the back of the unit. *This ensures that you're always using clean water.*

Note: If the unit is turned off for 24 hours or longer, drain the water from the recirculation system. (see below)

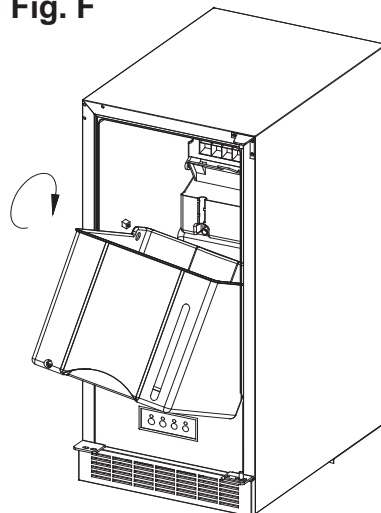
Note: If you are using the continuous drain option (see separate installation instructions) the unit may be turned off during the draining process. If you are using the drain pump option (see separate installation instructions), you must keep the unit turned on.

To drain the water from the system: First turn off the water supply. Remove the ice bucket, and pull the rubber drain tube out from its clips at the front of the internal water reservoir. **Slowly** lower the rubber drain tube towards the drain port at the back right side of the ice maker cavity. The water will evacuate. When all the water has been drained, replace the tube. **Note: If using the continuous drain option (see separate installation instructions) and the unit had been turned off, it may now be turned on again.**

ICE BUCKET

Your ice bucket is designed to be easily removed. To remove it, tilt up the front part of the box then simply pull it out (see Fig. F)

Fig. F



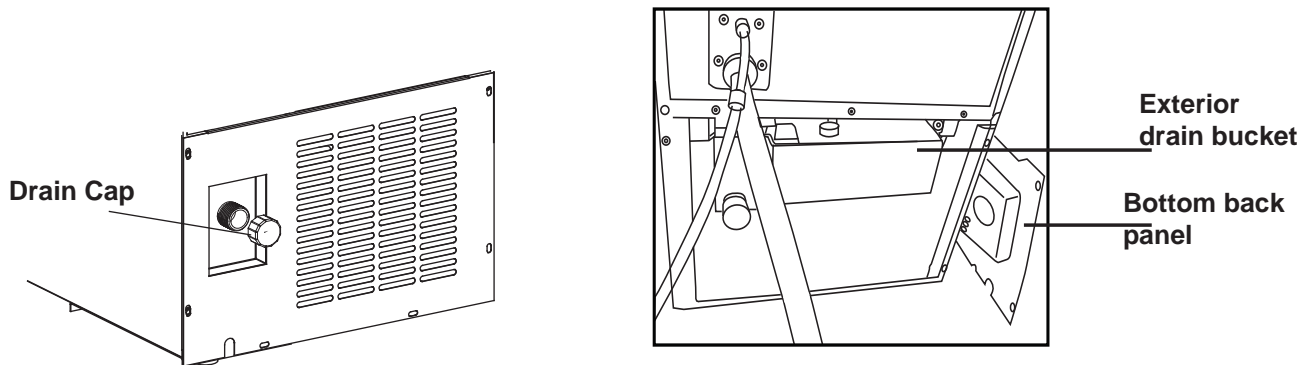
OPERATING INSTRUCTIONS

ICE SCOOP

This appliance comes equipped with a stainless steel ice scoop that also facilitates the removal of ice from the ice bucket. **Use this scoop to break up any sheets of ice that fall into the bucket.**

POWER FAILURE

Most power failures are corrected within a few hours and should not affect the temperature of your appliance if you minimize the number of times the door is opened. If the power is going to be off for a longer period of time, and you are using the drain pump option (see separate installation instructions), you will need to manually drain the water from your unit before next use to avoid an overflow situation. Refer to 'Continuous Drain Installation' for draining instructions on separate installation manual. **Note:** Drain the water from the exterior drain bucket by unscrewing the drain cap located on the back of the unit.



Note: When the power is restored the unit will be in standby mode and the pump will energize itself automatically to prevent water leakage.

MOVING YOUR ICE MAKER

- Remove all items.
- Securely tape down all loose items (bucket) inside your appliance.
- Turn the adjustable leg up to the base to avoid damage.
- Tape the door shut.
- Be sure the appliance stays secure in the upright position during transportation. Also protect outside of appliance with a blanket, or similar item.
- The ice maker should be relocated to the coolest area of the room, away from heat producing appliances, and out of the direct sunlight.

CARE AND MAINTENANCE

OUTSIDE CABINET AND DOOR

- Wash the outside cabinet with warm water and mild liquid detergent. Rinse well and wipe dry with a clean soft cloth.
- Wring excess water out of the sponge or cloth when cleaning any electrical parts.

CARE AND MAINTENANCE

CLEANING CYCLE

Note: The frequency of cleaning will be determined by the hardness of your water and the amount of use.

1. Before starting, turn the unit off and turn off the water supply to unit.
2. When all ice has melted from the evaporator and fallen into the ice bucket, remove the bucket (being careful not to spill any water) and discard or store ice in a separate freezer.

Note: If you are using the continuous drain option, the unit must be turned off during the next step. If you are using the drain pump option (see separate installation instructions), please keep the unit turned on (this allows pump to operate.)

3. Remove the rubber drain hose from the left front (Fig. H, item 4) of the ice maker cavity. Slowly tilt the drain hose down towards the drain port at the back right – lower corner of the ice maker cavity. The water will drain into the drain port. Tilt the drain hose slowly to ensure that the water is not able to overflow the ice bucket area. **(See Fig.H)**
4. When the water stops coming out of the drain hose, ensure that all water has been drained from water tank area. (Look inside to check that all water has been drained from water container area.) Check the water tank for any excess sediment and remove any if present. Flush out tank before reinstalling drain hose in clips. Reinstall the drain hose by pushing it back into the clips.
5. Fill the water tank with a cleaning solution comprised of equal parts water and vinegar. Next, turn the water supply on.
6. If the bucket has been removed, reinstall the ice bucket after the water tank stops refilling, and the unit begins to run again.
7. Allow the unit to produce 4 - 6 batches of ice, then turn the unit off and allow any remaining ice to fall into the ice bucket.
8. Remove the ice bucket and discard all (6) batches of ice.
9. If the drain pump mode is being used (see separate installation instructions), turn the unit on at this point. Unit has to be in the process (operating mode) in order for the pump to work. If unit is in standby mode pump will not operate. Once again, remove the rubber drain hose from left side clips and slowly drain the cleaning solution into the drain port in bottom right side of cabinet area.
10. When all of the solution has drained, reinstall the drain hose into the clips, turn water on and allow tank to fill. Reinstall the ice bucket. Make sure the reservoir is full before unit is turned back on.
11. Discard the first 2 batches of ice that fall into the ice bucket.
12. Normal ice production can continue when there is no evidence of the cleaning solution remaining in the unit.

1. Evaporator cover board
2. Direction plate
3. Water container
4. Drain hose
5. Clips

Fig.H

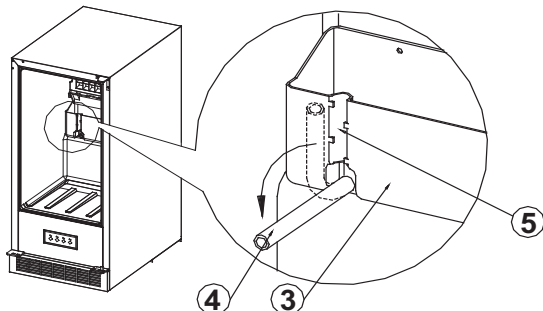
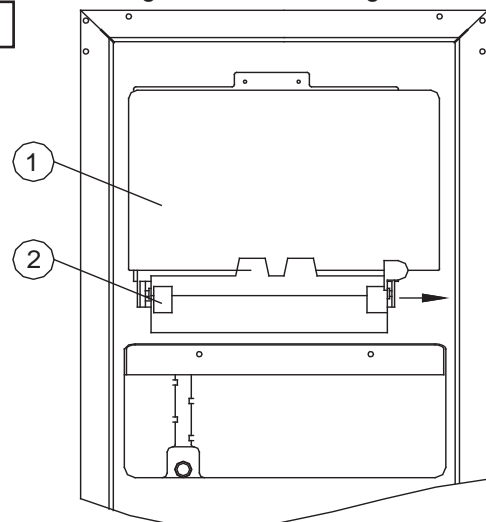


Fig.G



CARE AND MAINTENANCE

YEARLY MAINTENANCE FOR AREAS WITH HARD WATER

1. When all ice has been released from the evaporator and fallen into the ice bucket, remove the bucket (being careful not to spill any water that has resulted from melting ice) and discard or store ice in a separate freezer.

Note: If you are using the continuous drain option (see separate installation instructions), the unit may be turned off during the next step. If you are using the drain pump option (see separate installation instructions), the unit **MUST** be turned on. If unit is in standby mode the pump will continue to energize itself to avoid water leakage.

Note: Water supply should be turned off, if not it will keep filling up.

2. Remove the rubber drain tube (4) from the water container (3). Slowly tilt the drain hose down towards the drain port at the back right – lower corner of the ice maker cavity. The water will drain into the drain port. (see Fig.H on previous page)

Note: Tilt the drain tube slowly to ensure that the water does not overflow in the ice bucket area.

3. When the water stops coming out of the drain tube, look inside to check that all water has been drained from water container area. Reinstall the drain tube by pushing it back into the clips.
4. Use a sterile brush to scrape and loosen any hard water buildup from the water container (3), ice bucket, cover board (1) and direction plate (2.) Then, fill the water container (3) with an approved, nontoxic, lime dissolving cleaning solution such as an ice maker cleaner sold in stores, or a solution of equal parts water and vinegar. (see Fig.G on previous page)
5. Next, turn the water supply on, turn the unit back on only if using continuous drain option (see separate installation instructions) and had previously turned unit off, and reinstall the ice bucket. The water container will refill, and the unit will begin to run again.
6. Allow the unit to produce 4 - 6 batches of ice, then turn the unit off and allow time for any remaining ice to fall into the ice bucket.
7. Remove the ice bucket and discard all (6) batches of ice.

Note: Water supply should be turned off, if not it will keep filling up.

8. Once again, remove the rubber drain tube from water container (3) and slowly drain the cleaning solution into the drain port in bottom right side of cabinet area. Water will continue to fill if water is not turned off. (See Fig.H on previous page)
9. When all of the solution has drained, reinstall the ice bucket. Turn the unit back on, only if using continuous drain option (see separate installation instructions) and had previously turned unit off.
10. Discard the first 2 batches of ice that fall into the ice bucket.
11. Normal ice production can continue when there is no evidence of the cleaning solution remaining in the unit.

VACATION TIME

- **If the unit will not be used for more than one day, turn the unit off and drain completely** (refer to 'Continuous Water Circulation for draining instructions.)
- **Winterization:** If the unit is only used half the year, the other half it should be kept clean and void of water. Drain the unit as in the 'Continuous Water Circulation' section. Additionally, be sure to remove any water from the drain tank. Utilize the "cleaning cycle" section.

TROUBLESHOOTING

Occasionally, a problem is minor and a service call may not be necessary - use this troubleshooting guide for a possible solution. If the unit continues to operate improperly, call an authorized service depot or our toll free number.

Tel: 1-844-455-6097

PROBLEM	POSSIBLE CAUSE	SOLUTION
The ice maker does not operate	<ul style="list-style-type: none"> • Not plugged in • The appliance is turned off • No power to the unit 	<ul style="list-style-type: none"> • Make sure the appliance is plugged in and turned on • Replace the fuse or reset circuit breaker
The ice is not big enough or melts too quickly	<ul style="list-style-type: none"> • The ambient temperature is too high • The door is open too often or the door is ajar • The condenser is dirty • Incorrect mode is selected 	<ul style="list-style-type: none"> • Reduce ambient temperature • Make sure the door is closed and is only opened when necessary. Ensure that the gasket is sealing against the cabinet • Remove the front bottom kick plate from the unit and using a vacuum, clean the area of the condenser • Select the correct ice size
Ice maker alarm	<ul style="list-style-type: none"> • External water tank is full • Not enough water 	<ul style="list-style-type: none"> • See below
Vibrations	<ul style="list-style-type: none"> • Ice maker not level 	<ul style="list-style-type: none"> • Make sure the floor is level • Adjust levelling legs
Noise	<ul style="list-style-type: none"> • The ice maker is not level • The rattling noise may come from the flow of the refrigerant, which is normal • As each cycle ends, you may hear gurgling sounds caused by the flow of refrigerant in your ice maker • Contraction and expansion of the inside walls may cause popping and crackling noises • The ice dispensing during every cycle may cause some noise • The constant water flow noise is a normal function of the unit 	<ul style="list-style-type: none"> • Make sure the floor is level or adjust the levelling legs • This is normal • This is normal • This is normal • This is normal • This is normal
Water leakage from the ice maker	<ul style="list-style-type: none"> • The water inlet pipe in the back is too loose • The water outlet pipe in the back is too loose 	<ul style="list-style-type: none"> • Tighten the water inlet pipe • Tighten the water outlet pipe

1. **“Water tank is full” - troubleshoot using instructions before contacting an authorized service centre.**
 - Disconnect from power source. Unscrew the drain cap located on the back of the unit and let out the water (refer to installation guide)
 - After draining out all the water from the outside water tank, reconnect unit to power and it will continue to run normally.
 - If “drain pump mode” (see separate installation instructions) is being used, please confirm the “drain pump switch” is in the “ON” position.

2. **“Ice maker low on water” - troubleshoot using these instructions before contacting an authorized service centre.**
 - Check if outside water supply is functioning normally. Follow “checking the water supply” instructions (above) and wait 30 minutes for the unit to correct itself.
 - If this doesn’t work, press the power button to restart the unit.

3. **“Sensor breakdown” - contact our authorized service centre for maintenance.**

4. **“System malfunction” - System will shut down call an authorized service centre.**



LIMITED IN-HOME APPLIANCE WARRANTY

This quality product is warranted to be free from manufacturer's defects in material and workmanship, provided that the unit is used under the normal operating conditions intended by the manufacturer.

This warranty is available only to the person to whom the unit was originally sold by Danby Products Limited (Canada) or Danby Products Inc. (U.S.A.) (hereafter "Danby") or by an authorized distributor of Danby, and is non-transferable.

TERMS OF WARRANTY

Plastic parts, are warranted for thirty (30) days only from purchase date, with no extensions provided.

First 24 months During the first twenty four (24) months, any functional parts of this product found to be defective, will be repaired or replaced, at warrantor's option, at no charge to the ORIGINAL purchaser.

To obtain service Danby reserves the right to limit the boundaries of "In Home Service" to the proximity of an Authorized Service Depot. Any appliance requiring service outside the limited boundaries of "In Home Service", it will be the consumer's responsibility to transport the appliance (at their own expense) to the original retailer (point of purchase) or a service depot for repair. See "Boundaries of In Home Service" below. Contact your dealer from whom your unit was purchased, or contact your nearest authorized Danby service depot, where service must be performed by a qualified service technician. If service is performed on the units by anyone other than an authorized service depot, or the unit is used for commercial application, all obligations of Danby under this warranty shall be void.

Boundaries of in-home service If the appliance is installed in a location that is 100 kilometers (62 miles) or more from the nearest service center your unit must be delivered to the nearest authorized Danby Service Depot, as service must only be performed by a technician qualified and certified for warranty service by Danby. Transportation charges to and from the service location are not protected by this warranty and are the responsibility of the purchaser.

Nothing within this warranty shall imply that Danby will be responsible or liable for any spoilage or damage to food or other contents of this appliance, whether due to any defect of the appliance, or its use, whether proper or improper.

EXCLUSIONS

Save as herein provided, by Danby, there are no other warranties, conditions, representations or guarantees, express or implied, made or intended by Danby or its authorized distributors and all other warranties, conditions, representations or guarantees, including any warranties, conditions, representations or guarantees under any Sale of Goods Act or like legislation or statute is hereby expressly excluded. Save as herein provided, Danby shall not be responsible for any damages to persons or property, including the unit itself, howsoever caused or any consequential damages arising from the malfunction of the unit and by the purchase of the unit, the purchaser does hereby agree to indemnify and hold harmless Danby from any claim for damages to persons or property caused by the unit.

GENERAL PROVISIONS

No warranty or insurance herein contained or set out shall apply when damage or repair is caused by any of the following:

- 1) Power failure.
- 2) Damage in transit or when moving the appliance.
- 3) Improper power supply such as low voltage, defective house wiring or inadequate fuses.
- 4) Accident, alteration, abuse or misuse of the appliance such as inadequate air circulation in the room or abnormal operating conditions (extremely high or low room temperature).
- 5) Use for commercial or industrial purposes (ie. If the appliance is not installed in a domestic residence).
- 6) Fire, water damage, theft, war, riot, hostility, acts of God such as hurricanes, floods etc.
- 7) Service calls resulting in customer education.
- 8) Improper Installation (ie. Building-in of a free standing appliance or using an appliance outdoors that is not approved for outdoor application). Proof of purchase date will be required for warranty claims; so, please retain bills of sale. In the event warranty service is required, present this document to our AUTHORIZED SERVICE DEPOT.

Warranty Service
In-home

Danby Products Limited
PO Box 1778, Guelph, Ontario, Canada N1H 6Z9
Telephone: (519) 837-0920 FAX: (519) 837-0449

1-844-455-6097
05/14

Danby Products Inc.
PO Box 669, Findlay, Ohio, U.S.A. 45840
Telephone: (419) 425-8627 FAX: (419) 425-8629

Nous savons que vous êtes excité. Nous sommes aussi! Cependant, le plus que vous vous familiarisez avec votre nouvel appareil, le mieux va être votre expérience. Nous suggérons donc de **lire ces instructions avant connecter votre nouvel appareil**. Ce manuel contient des informations opérationnel important qui vous aidera à faire un usage pleine de les caractéristiques techniques disponibles dans votre appareil. Le manuel contient également des informations conçu pour améliorer la fiabilité et la sécurité de votre appareil ainsi que des conseils pour le maintien, pour vous assurez des années de bonheur.

Se il vous plaît visitez www.silhouetteappliance.com pour accéder les outils libre-service, FAQ et plus encore. Si jamais vous avez besoin d'aide supplémentaire, s'il vous plaît appelez 1-844-455-6097. S'il vous plaît ayez votre facture d'achat, le numéro de modèle, et le numéro de série près durant l'appel.

Remarque : Ces renseignements seront nécessaires si votre appareil a besoin d'entretien ou pour les demandes de renseignements généraux. Pour bénéficier d'une opération de maintenance ou de dépannage, le reçu original sera exigé.

Numéro de modèle : _____
Numéro de serie : _____
Date d'achat : _____

BESOIN D'ASSISTANCE ?

Veuillez trouver quelques conseils avant de faire appel à nos services, cela nous aidera à mieux vous servir :

Lisez ce guide :

Il comprend des instructions pour l'utilisation et l'entretien adapté de votre appareil.

Si votre nouvel appareil est endommagé :

Contactez immédiatement le revendeur (ou le fabricant).

Gagnez du temps et de l'argent :

Avant de faire appel à nos services, consultez à nouveau la section « Dépannage ». Cette section vous aidera à résoudre des problèmes courants.

Si une réparation est nécessaire, ne vous inquiétez pas, la solution est au bout du fil.



1-844-455-6097

CONSIGNES DE SÉCURITÉ IMPORTANTES

LIRE TOUS LES RENSEIGNEMENTS CONCERNANT LA SÉCURITÉ
AVANT DE L'UTILISER



AVERTISSEMENT : RISQUE DE PIÉGEAGE D'ENFANT!

Une machine à glaçons vide est une attraction très dangereuse pour les enfants. Retirer le joint d'étanchéité, les loquets, les verrous et les portes des appareils jetés ou non utilisés ou prendre une autre mesure pour veiller à ce qu'ils soient inoffensifs. **NE PAS ATTENDRE, LE FAIRE SANS TARDER!**



AVERTISSEMENT

Pour éviter les problèmes d'installation/de fonctionnement, se reporter au guide d'installation distinct.



IMPORTANT

Lorsque vous installez l'appareil, **NE pliez PAS** le tuyau de drainage!

CONSIGNES RELATIVES À LA MISE À LA TERRE

- Cet appareil doit être mis à la terre. Dans l'éventualité qu'un court-circuit se produit, la mise à la terre réduit les risques de chocs électriques en assurant la présence d'un fil d'évacuation pour le courant électrique.
- Cet appareil est muni d'un cordon d'alimentation doté d'un fil d'évacuation et d'une fiche de mise à la terre. La prise doit être insérée dans une prise murale qui est elle-même correctement installée et mise à la terre.
- Consulter un électricien qualifié ou un technicien d'entretien, si les instructions de mise à la terre ne sont pas entièrement comprises ou si un doute subsiste pour savoir si l'appareil est bien mis à la terre.
- Si la prise est une prise murale standard à 2 broches, il vous incombe de vous assurer personnellement de la faire remplacer par une prise murale à 3 broches bien mise à la terre.
- Brancher l'appareil exclusivement à une prise murale bien installée et mise à la terre.
- **Ne pas** couper, en aucune circonstance, ou enlever la troisième fiche de mise à la terre du cordon d'alimentation fourni.
- **Ne pas** utiliser un adaptateur avec cet appareil.
- **Ne pas** utiliser de rallonge électrique avec cet appareil. Si le cordon d'alimentation est trop court, faites installer une prise près de l'appareil, par un électricien ou un technicien d'entretien qualifié.



AVERTISSEMENT

Une utilisation inadéquate de la fiche de mise à la terre peut provoquer un risque de décharge électrique.

CONSERVEZ CES INSTRUCTIONS!

CONSIGNES DE SÉCURITÉ IMPORTANTES

LIRE TOUS LES RENSEIGNEMENTS CONCERNANT LA SÉCURITÉ AVANT DE L'UTILISER

CONSIGNES RELATIVES À LA MISE À LA TERRE

- Cet appareil doit être mis à la terre. Le brancher seulement à une prise adéquatement mise à la terre. Se reporter à la section « Consignes relatives à la mise à la terre ».
- Ne pas faire fonctionner cet appareil si le cordon d'alimentation ou la fiche est endommagé, s'il ne fonctionne pas adéquatement ou si l'appareil a été endommagé ou est tombé.
- Ne jamais laisser les enfants utiliser, jouer ou ramper à l'intérieur de l'appareil.
- Ne jamais nettoyer les pièces de l'appareil avec des liquides inflammables. Les vapeurs qui s'en dégagent constituent un risque d'incendie ou d'explosion.
- Ne pas stocker ou utiliser de l'essence ou d'autres vapeurs inflammables à proximité de cet appareil ou tout autre appareil. Les vapeurs qui s'en dégagent constituent un risque d'incendie ou d'explosion.
- Ne pas raccorder le cordon d'alimentation qui est fourni avec cet appareil.
- Garder le cordon d'alimentation à l'écart des surfaces chauffées.
- Ne pas immerger la fiche du cordon d'alimentation ou l'appareil dans l'eau.
- Ne pas utiliser ce produit près de l'eau; par exemple, dans un sous-sol mouillé, près d'une piscine ou près d'un évier.
- Ne pas utiliser de produits chimiques corrosifs ou de vapeurs dans cet appareil.
- Utiliser cet appareil seulement aux fins prévues décrites dans le présent manuel de l'utilisateur.
- Se reporter aux consignes de nettoyage à la section concernant l'entretien de ce manuel.
- Ne pas couvrir, ni bloquer les ouvertures de l'appareil.
- Cet appareil est conçu pour un usage domestique exclusivement. Ne pas tenter de faire fonctionner, ni de stocker cet appareil à l'extérieur.
- Cet appareil ne doit être entretenu par du personnel d'entretien qualifié seulement. Communiquer avec votre centre de service autorisé pour effectuer un examen, une réparation ou un ajustement.



AVERTISSEMENT





La décharge de nombreux types de fluides réfrigérants dans l'atmosphère est nuisible pour l'environnement. Il est illicite et punissable par la loi de ventiler intentionnellement de l'HCFC, du CFC ou du HFC. Ne pas altérer les composants contenant du fluide réfrigérant de cet appareil. S'assurer de se conformer aux règlements municipaux suivants lors de l'élimination de cet appareil ou de tout appareil contenant un fluide réfrigérant.

CONSERVEZ CES INSTRUCTIONS!

CONSIGNES D'UTILISATION

COMMANDES DE LA MACHINE À GLAÇONS

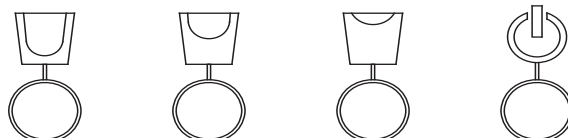
La machine à glaçons doit être placée dans un lieu où la température ambiante est située entre 10 et 32 °C (50-90°F). Si la température ambiante est supérieure ou inférieure à cette fourchette, la performance de l'appareil peut être affectée.

Commande	Type	Action	Explication de la fonction
	Bouton	Appuyer	Pour faire fonctionner ou arrêter la machine à glaçon « Marche/Arrêt » (appuyer et maintenir ce bouton pendant approximativement 3 secondes).
	Bouton	Appuyer	Petits glaçons
	Bouton	Appuyer	Glaçons moyens
	Bouton	Appuyer	Gros glaçons

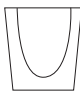
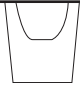


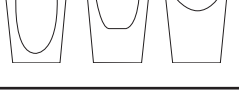

Vérifier l'alimentation en eau.

1. Couper l'alimentation en eau.
2. Débrancher le tuyau d'alimentation en eau de la machine à glaçons.
3. Mettre le tuyau d'alimentation en eau dans un seau.
4. Ouvrir le robinet et s'assurer que l'eau coule dans le seau.
5. Couper à nouveau l'alimentation en eau, puis rebrancher le tuyau à la machine à glaçons.

* En cas de doute, veuillez communiquer avec un plombier.



VOYANTS LUMINEUX

	Un seul voyant lumineux	ALLUMÉ	Les petits glaçons sont sélectionnés.
		CLIGNOTANT	① Le réservoir d'eau est plein et un son se fait entendre. voir la section dépannage).
	Un seul voyant lumineux	ALLUMÉ	Les glaçons moyens sont sélectionnés.
		CLIGNOTANT	Le seau à glace est rempli
	Un seul voyant lumineux	ALLUMÉ	Les gros glaçons sont sélectionnés.
		CLIGNOTANT	Le seau à glace est rempli
		ÉTEINT	Compresseur arrêté
	Un seul voyant lumineux	CLIGNOTANT	Mode veille
		Tous allumés en même temps	② Niveau d'eau bas dans la machine (voir la section dépannage).
		2 tailles clignotant en même temps pendant 15 secondes	③ Panne du capteur voir la section dépannage).
	Voyants lumineux Voyants lumineux	Tous allumés en même temps	④ Mauvais fonctionnement du système (voir la section dépannage).
	Voyants lumineux Voyants lumineux	Toutes les icônes clignotent en même temps	

CONSIGNES D'UTILISATION



IMPORTANT

Cette machine a été conçue pour produire de la glace seulement. Elle ne doit pas être utilisée pour stocker de la glace à long terme. Déplacez la glace en surplus dans un congélateur pour un stockage à long terme (>6 heures) si vous désirez la garder.

CHANGER LA TAILLE DES GLAÇONS

REMARQUE : Les tailles de glaçons diffèrent en termes de densité et pas de volume. Un gros cube est de la même taille qu'un petit cube, mais contient plus d'eau glacée.

1. S'assurer que l'alimentation en eau est branchée avant de changer la taille des glaçons. La machine à glaçons est automatiquement réglée pour produire des glaçons moyens. Si vous devez changer la taille des glaçons, vous pouvez appuyer sur les boutons correspondants (se reporter à la page précédente) et la taille choisie sera indiquée par le voyant lumineux correspondant.
2. Si vous voulez arrêter de faire des glaçons, mais garder l'appareil en mode veille, appuyer sur le bouton de mise en marche pendant environ 3 secondes. Tous les voyants lumineux de glaçons s'éteindront et le voyant lumineux de marche continuera à clignoter. Vous êtes maintenant en mode veille. Ne pas laisser l'appareil en mode veille pendant plus de 6 heures. Si vous voulez recommencer à faire de la glace, vous n'avez qu'à appuyer sur le bouton de mise en marche encore une fois.

CIRCULATION CONTINUE DE L'EAU

Cet appareil fonctionne avec un circuit d'eau fermé et continu qui fait très peu ou même pas du tout de gaspillage. Lorsque l'appareil est allumé et que le niveau d'eau dans le bac est bas, il est rempli d'eau depuis la source d'alimentation. Le récipient d'eau se remplit jusqu'à ce que le flotteur dans le réservoir d'eau soit déclenché. La pompe de recirculation fait suivre un cycle continu à l'eau au-dessus du plateau d'évaporation jusqu'à ce que de la glace soit produite. *Ce processus est continu tant que l'appareil est en marche.*

Toute l'eau qui pénètre dans le drain, en bas de la machine à glaçons, n'est pas recyclée. Elle entre dans un récipient séparé avec un système de drainage différent qui s'écoule au dos de l'appareil. *Ce processus veille à ce que vous utilisiez toujours de l'eau propre.*

Remarque : Si l'appareil est arrêté pendant 24 heures ou plus, drainer l'eau dans le système de recirculation. (voir ci-dessous)

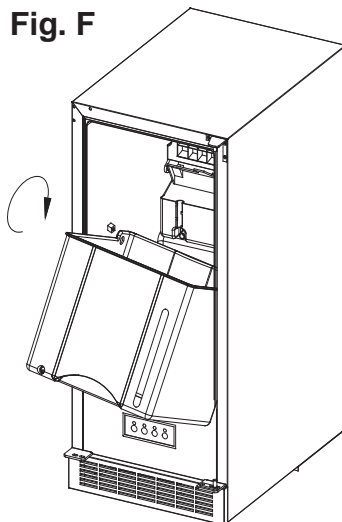
Remarque : Si vous utilisez l'option de drainage continu (se reporter aux consignes relatives à l'installation séparées), l'appareil peut être arrêté pendant le drainage. Si vous utilisez l'option de pompe de drainage (se reporter aux consignes distinctes relatives à l'installation), vous devez laisser l'appareil en marche.

Pour drainer l'eau dans le système : Commencer par couper l'alimentation en eau. Enlever le seau à glace et tirer sur le tube de drainage en caoutchouc pour l'enlever de ses attaches à l'avant du réservoir d'eau interne. Abaisser lentement le tube de drainage en caoutchouc vers le port de drainage situé sur le côté droit de la cavité de la machine à glaçons. L'eau s'évacuera. Quand toute l'eau a été vidangée, remettre le tube en place. **Remarque :** Si vous avez utilisé l'option de drainage continu (se reporter aux consignes distinctes relatives à l'installation) et si l'appareil a été arrêté, vous pouvez maintenant le remettre en marche.

SEAU À GLACE

Votre seau à glace a été conçu pour être facilement enlevé. Pour l'enlever, soulever la partie frontale du seau, puis le tirer vers l'extérieur (voir fig. F).

Fig. F



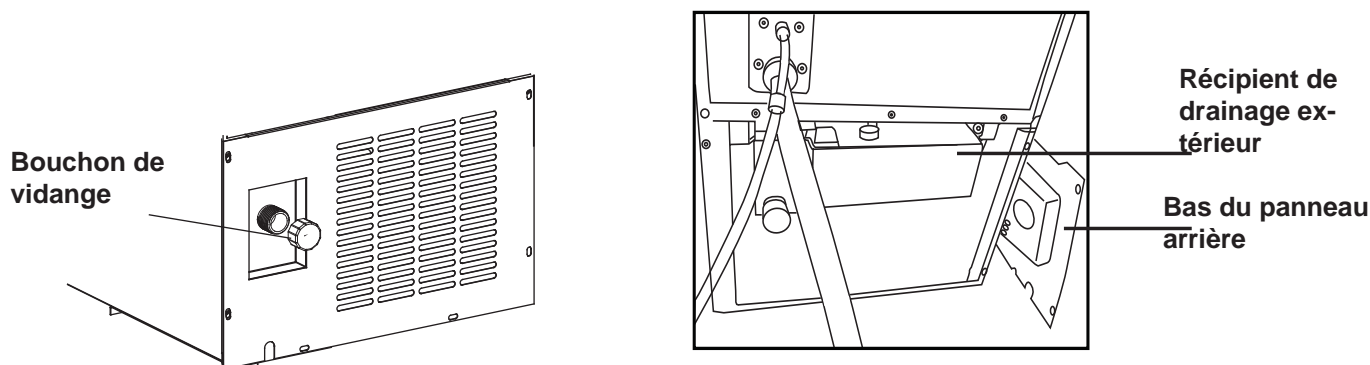
CONSIGNES D'UTILISATION

PELLE À GLACE

Cet appareil est vendu avec une pelle à glace en acier inoxydable qui permet également d'enlever la glace contenue dans le seau à glace plus facilement. **Utiliser cette pelle pour casser les feuilles de glace qui tombent dans le seau.**

PANNE DE COURANT

La plupart des pannes électriques sont corrigées en quelques heures et ne devrait en aucun cas affecter la température de votre appareil si vous réduisez au minimum le nombre d'ouverture de la porte. Si la panne électrique subsiste plus longtemps et si vous utilisez l'option de la pompe de drainage (se reporter aux consignes relatives à l'installation séparées), vous devrez drainer manuellement l'eau de l'appareil avant de l'utiliser à nouveau pour empêcher que celle-ci ne soit trop pleine. Se reporter à Installation en mode de drainage continu pour obtenir les consignes relatives au drainage dans le manuel d'installation distinct. **Remarque** : Videz l'eau du réservoir d'eau externe, en dévissant le bouchon de vidange qui est situé au dos de l'appareil.



Remarque : Lorsque la tension est rétablie, l'unité sera en mode veille et la pompe se mettra en marche automatiquement afin d'éviter les fuites d'eau.

DÉPLACER VOTRE MACHINE À GLAÇONS

- Enlever tous les articles.
- Bien attacher tous les articles désserés (seau) à l'intérieur de votre appareil avec du ruban adhésif.
- Tourner le pied ajustable de la base pour éviter des dommages.
- Fermer la porte en collant du ruban adhésif.
- S'assurer que l'appareil reste dans une position verticale et sécuritaire pendant le transport. Protéger l'extérieur de l'appareil à l'aide d'une couverture ou un article similaire.
- La machine à glaçons devrait être déplacée vers l'endroit le plus frais de la pièce, loin d'appareils producteurs de chaleur et loin des rayons directe du soleil.

SOINS ET ENTRETIEN

EXTÉRIEUR ET PORTE

- Laver l'extérieur avec de l'eau tiède et un détergent liquide doux. Bien rincer et essuyer complètement avec un chiffon doux et propre.
- Éliminer l'excès d'eau à l'aide d'une éponge ou d'un chiffon lors du nettoyage des composants électriques.

CONSIGNES D'UTILISATION

CYCLE DE NETTOYAGE

Remarque : La fréquence de nettoyage sera déterminée par la dureté de votre eau et la durée de l'utilisation.

1. Avant de commencer, éteindre l'appareil et couper l'alimentation en eau.
2. Lorsque toute la glace a été libérée de l'évaporateur et est tombée dans le seau à glace, enlever le seau (en faisant attention de ne pas renverser d'eau) et jeter ou stocker la glace dans un autre congélateur.

Remarque : Si vous utilisez l'option de drainage continu, l'appareil doit être arrêté pendant l'étape suivante. Si vous utilisez l'option de pompe de drainage (se reporter aux consignes relatives à l'installation séparées), veuillez laisser l'appareil en marche (pour permettre à la pompe de fonctionner).

3. Enlever le tuyau de drainage en caoutchouc situé sur le côté gauche à l'avant (Fig. 4, objet 4) de la machine à glaçons. Incliner lentement le tuyau de drainage vers l'orifice du drain dans le coin inférieur droit – incliner le coin de la cavité de la machine à glaçons. L'eau s'écoulera dans cet orifice. Incliner lentement le tuyau de drainage pour éviter un trop-plein dans le seau à glace. **(Voir la fig. H)**
4. Quand l'eau cesse de sortir du tuyau souple de drainage, s'assurer que toute l'eau a été vidée du réservoir d'eau. (Regarder à l'intérieur pour vérifier que toute l'eau a été vidée du récipient d'eau.) Vérifiez le réservoir d'eau pour des sédiments accumulés, et enlevez-les s'ils sont présents. Videz et rincez le réservoir avant de réinstaller le tuyau de drainage sur les crochets. Réinstaller le tuyau souple de drainage en le remettant dans ses attaches.
5. Remplir le réservoir d'eau avec la solution de nettoyage constituée à parts égales d'eau et de vinaigre. Ensuite, rouvrir l'alimentation en eau.
6. Si le seau à glace a été retiré, réinstallez le seau pour la glace lorsque le réservoir d'eau cesse de se remplir; l'appareil recommencera à fonctionner.
7. Laisser l'appareil produire 4 - 6 lots de glace, puis l'arrêter et laisser la glace excédentaire tomber dans le seau à glace.
8. Enlever le seau à glace et jeter les six (6) lots de glace.
9. Si le mode pompe de drainage est utilisé (se reporter aux consignes relatives à l'installation séparées), mettre l'appareil en marche. L'unité doit être en mode de fonctionnement afin que la pompe puisse fonctionner. Si l'unité est en mode de veille, la pompe ne fonctionnera pas. Enlever à nouveau le tuyau de drainage en caoutchouc des attaches du côté gauche et drainer lentement la solution de nettoyage dans l'orifice du drain dans le coin inférieur droit du meuble.
10. Lorsque toute la solution est drainée, réinstallez le tuyau de drainage sur les crochets, ouvrez l'eau, et laissez remplir le réservoir. réinstaller le seau à glace. S'assurer que le réservoir est plein avant de remettre l'appareil en marche.
11. Jeter les deux premiers lots de glaçons qui tombent dans le seau à glace.
12. La production normale de glaçons peut continuer lorsqu'il n'y a aucune indication qu'il reste de la solution de nettoyage dans l'appareil.

1. Planche mobile de l'évaporateur
2. Plaque d'orientation
3. Récipient d'eau
4. Tuyau de drainage
5. Attaches

Fig. H

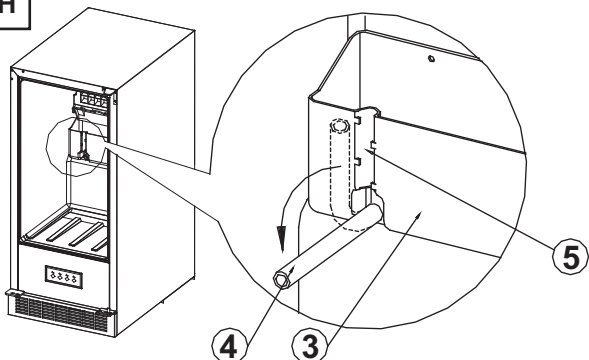
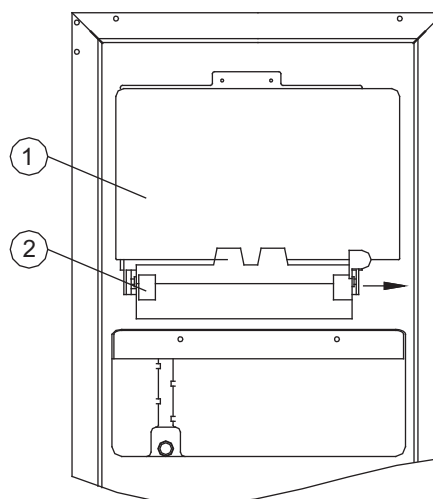


Fig. G



SOINS ET ENTRETIEN

ENTRETIEN ANNUEL POUR LES RÉGIONS OÙ L'EAU EST DURE

1. Lorsque toute la glace a été libérée de l'évaporateur et est tombée dans le seau à glace, enlever le seau (en faisant attention de ne pas renverser d'eau) et jeter ou stocker la glace dans un autre congélateur.

Remarque : Si vous avez utilisé l'option de drainage continu (se reporter aux consignes relatives à l'installation séparées), vous pouvez remettre l'appareil en marche lors de l'étape suivante. Si vous utilisez l'option de pompe de drainage (se reporter aux consignes relatives à l'installation séparées), l'appareil DOIT être en marche. Lorsque l'unité est en mode veille, la pompe continuera à fonctionner afin d'éviter les fuites d'eau.

Remarque : L'alimentation en eau devrait être coupée, sinon il continuera à se remplir.

2. Enlever le tube de drainage en caoutchouc (4) du récipient d'eau (3.) Incliner lentement le tuyau de drainage vers l'orifice du drain dans le coin inférieur droit de la machine à glaçons. L'eau s'écoulera dans cet orifice. (Voir la fig. H en la prochaine page.)

Remarque : Incliner lentement le tube de drainage pour éviter un trop-plein dans le seau à glace.

3. Lorsque l'eau cessera de sortir du tube de drainage, regarder à l'intérieur pour vérifier que toute l'eau a été vidée du récipient d'eau. Réinstaller le tube de drainage en le remettant dans ses attaches.
4. Utilisez une brosse stérile pour gratter et enlever toute accumulation d'eau dure du récipient d'eau (3.) du seau à glace, de la planche mobile (1) et de la plaque d'orientation (2). Puis, remplir le récipient d'eau (3) avec une solution de dissolution de la chaux non toxique et approuvée - par ex., un produit de nettoyage des machines à glaçons vendu dans les magasins ou une solution constituée de parts égales d'eau et de vinaigre. (Voir la fig. G en la prochaine page)
5. Maintenant, ouvrir l'alimentation en eau, allumer l'appareil si vous utilisez l'option de drainage continu seulement (se reporter aux consignes relatives à l'installation séparées) et si vous aviez arrêté l'appareil et réinstaller le seau à glace. Le récipient d'eau se remplira et l'appareil se remettra en marche.
6. Laisser l'appareil produire 4 - 6 lots de glace, puis l'arrêter et laisser suffisamment de temps pour que toute la glace qui reste tombe dans le seau à glace.
7. Enlever le seau à glace et jeter les six (6) lots de glace.

Remarque : L'alimentation en eau devrait être coupée, sinon il continuera à se remplir.

8. Enlever à nouveau le tube de drainage en caoutchouc du récipient d'eau et drainer lentement la solution de nettoyage dans l'orifice du drain dans le coin inférieur droit du meuble. L'eau continuera à remplir le récipient si elle n'est pas coupée. (Voir la fig. H en la prochaine page.)
9. Lorsque toute la solution est drainée, réinstaller le seau à glace. Remettre l'appareil en marche si vous utilisez l'option de drainage continu seulement (se reporter aux consignes distinctes relatives à l'installation) et si vous aviez arrêté l'appareil.
10. Jeter les deux premiers lots de glaçons qui tombent dans le seau à glace.
11. La production normale de glaçons peut continuer lorsqu'il n'y a aucune indication qu'il reste de la solution de nettoyage dans l'appareil.

LE TEMPS DES VACANCES

- **Si l'appareil ne sera pas utilisé pendant plus d'un jour, l'arrêter et le drainer complètement** (se reporter aux consignes sur la circulation d'eau continue pour le drainage.)
- **Hiverisation :** Si l'appareil n'est utilisé que pendant la moitié de l'année, pendant l'autre moitié, il devrait être gardé propre et vidé de toute l'eau. Drainer l'appareil conformément à la section Circulation d'eau continue. De plus, s'assurer d'enlever toute l'eau du réservoir de drainage. Utiliser le « cycle de nettoyage ».

DÉPANNAGE

Parfois, un problème est mineur et il peut ne pas être nécessaire d'appeler un technicien - utilisez ce guide de dépannage pour trouver une solution possible. Si l'appareil continue à fonctionner de manière anormale, communiquer avec un centre de service autorisé ou le numéro sans frais.

Tel: 1-844-455-6097

PROBLÈME	CAUSE POSSIBLE	SOLUTION
La machine à glaçons ne fonctionne pas	<ul style="list-style-type: none"> • Elle n'est pas branchée • L'appareil est éteint • Aucun courant électrique dans l'appareil 	<ul style="list-style-type: none"> • S'assurer que l'appareil est branché et allumé • Remplacer le fusible ou réinitialiser le disjoncteur
Les glaçons ne sont pas suffisamment gros ou fondent trop rapidement	<ul style="list-style-type: none"> • La température ambiante est trop élevée • La porte est trop souvent ouverte ou celle-ci est entrouverte • Le condensateur est sale • Le mauvais mode est sélectionné 	<ul style="list-style-type: none"> • Réduire la température ambiante • S'assurer que la porte est fermée et l'ouvrir seulement lorsque nécessaire. S'assurer que le joint d'étanchéité est bien appuyé sur la paroi de l'appareil • Enlever la plaque inférieure de l'appareil et à l'aide d'une balayette, nettoyer la zone du condensateur • Sélectionner le bon mode de taille de glace
Alarme de la machine à glaçons	<ul style="list-style-type: none"> • Le réservoir d'eau externe est plein • Pas suffisamment d'eau 	<ul style="list-style-type: none"> • Voir ci-dessous
Vibrations	<ul style="list-style-type: none"> • La machine à glaçons n'est pas à niveau 	<ul style="list-style-type: none"> • S'assurer que le plancher est à niveau • Ajuster les pieds de calage
Bruit	<ul style="list-style-type: none"> • La machine à glaçons n'est pas à niveau • Le bruit peut provenir du liquide de réfrigération; ce bruit est normal • À la fin de chaque cycle, vous pourriez entendre certains bruits provoqués par l'écoulement du réfrigérant dans votre machine à glaçons • La contraction et l'expansion des parois intérieures peuvent causer des bruits • La distribution de glaçons pendant chaque cycle peut causer des bruits • Le bruit du flux constant d'eau est normal lors du fonctionnement de la machine 	<ul style="list-style-type: none"> • S'assurer que le plancher est à niveau ou ajuster le niveau des jambes • C'est normal • C'est normal • C'est normal • C'est normal • C'est normal
Fuite d'eau de la machine à glaçons	<ul style="list-style-type: none"> • Le tuyau d'arrivée d'eau au dos est trop lâche • Le tuyau de sortie d'eau au dos est trop lâche 	<ul style="list-style-type: none"> • Resserrer le tuyau d'arrivée d'eau • Resserrer le tuyau de sortie d'eau

1. « **Le réservoir d'eau est plein** » - dépanner à l'aide des consignes avant de communiquer avec un centre de service autorisé.
 - Débrancher de la source d'alimentation électrique. Dévisser le bouchon de drainage au dos de l'appareil et laisser couler l'eau (se reporter au guide d'installation)
 - Après le drainage de toute l'eau du réservoir d'eau extérieur, rebrancher l'appareil à l'alimentation et il continuera à fonctionner normalement.
 - Si « le mode de pompe de drainage » est utilisé (se reporter aux consignes relatives à l'installation séparées), veuillez vérifier que « le commutateur de la pompe de drainage » est en position « ON » (marche).
2. « **Faible niveau d'eau dans la machine à glaçons** » - dépanner à l'aide de ces consignes avant de communiquer avec un centre de service autorisé.
 - Vérifier si l'alimentation en eau extérieure fonctionne normalement. Suivre les consignes de « vérification de l'alimentation en eau » (ci-dessus) et attendre 30 minutes que l'appareil se corrige automatiquement.
 - Si ce processus ne fonctionne pas, appuyer sur le bouton de mise en marche pour redémarrer l'appareil.
3. « **Panne du capteur** » - communiquer avec notre centre de service autorisé pour l'entretien.
4. « **Défaillance du système** » - le système s'arrêtera, appeler un centre de service autorisé.

GARANTIE LIMITÉE SUR APPAREIL ÉLECTROMÉNAGER À DOMICILE

Cet appareil de qualité est garanti exempt de tout vice de matière première et de fabrication, s'il est utilisé dans les conditions normales recommandées par le fabricant.

Cette garantie n'est offerte qu'à l'acheteur initial de l'appareil vendu par Danby Products Limited (Canada) ou Danby Products Inc. (E.- U.A.) (ci-après « Danby ») ou par l'un des ses distributeurs agréés et elle ne peut être transférée.

CONDITIONS

Les pièces en plastique sont garanties pendant trente (30) jours seulement à partir de la date de l'achat, sans aucune prolongation prévue.

Premiers 24 mois Pendant les premiers vingt-quatre (24) mois, toutes les pièces fonctionnelles de ce produit qui s'avèrent défectueuses seront réparées ou remplacées, selon le choix du garant, sans frais à l'acheteur INITIAL.

Pour bénéficiaire du service Le client sera responsable pour le transport et tous les frais d'expédition de tout appareil exigeant le service au dépôt de service autorisé le plus proche. S'adresser au détaillant qui a vendu l'appareil, ou à la station technique agréée de service la plus proche, où les réparations doivent être effectuées par un technicien qualifié. Si les réparations sont effectuées par quiconque autre que la station de service agréée où à des fins commerciales, toutes les obligations de Danby en vertu de cette garantie seront annulées.

Limites de l'entretien à domicile Si l'appareil est installé à plus de 100 kilomètres (62 milles) du centre de service le plus proche, il doit être livré à l'atelier de réparation autorisé par Danby le plus proche, car l'entretien doit uniquement être réalisé par un technicien qualifié et certifié pour effectuer un entretien couvert par la garantie de Danby. Les frais de transport entre votre domicile et le lieu de l'entretien ne sont pas couverts par la présente garantie et doivent être acquittés par l'acheteur.

Aucune partie de la garantie ne prévoit implicitement que le fabricant sera tenu responsable des dommages subis par les aliments ou d'autres types de contenu, qu'ils soient causés par la défectuosité de l'appareil ou par son usage adéquat ou inadéquat.

EXCLUSIONS

En vertu de la présente, il n'existe aucune autre garantie, condition ou représentation, qu'elle soit exprimée ou tacite, de façon manifeste ou intentionnelle, par Danby ou ses distributeurs agréés. De même, sont exclues toutes les autres garanties, conditions ou représentations, y compris les garanties, conditions ou représentations en vertu de toute loi régissant la vente de produits ou de toute autre législation ou règlement semblables. En vertu de la présente, Danby ne peut être tenue responsable en cas de blessures corporelles ou des dégâts matériels, y compris à l'appareil, quelle qu'en soit les causes. Danby ne peut pas être tenue responsable des dommages indirects dus au fonctionnement défectueux de l'appareil. En achetant l'appareil, l'acheteur accepte de mettre à couvert et de dégager Danby de toute responsabilité en cas de réclamation pour toute blessure corporelle ou tout dégât matériel causé par cet appareil.

CONDITIONS GÉNÉRALES

La garantie ou assurance ci-dessus ne s'applique pas si les dégâts ou réparations sont dus aux cas suivants :

- 1) Panne de courant.
- 2) Dommages subis pendant le transport ou le déplacement de l'appareil.
- 3) Alimentation électrique incorrecte (tension faible, câblage défectueux, fusibles incorrects).
- 4) Accident, modification, emploi abusif ou incorrect de l'appareil tel qu'une circulation d'air inadéquate dans la pièce ou des conditions de fonctionnement anormales (température extrêmement élevée ou basse).
- 5) Utilisation dans un but commercial ou industriel (à savoir, si l'appareil n'est pas installé dans un domicile résidentiel).
- 6) Incendie, dommages causés par l'eau, vol, guerre, émeute, hostilités, cas de force majeure (ouragan, inondation, etc.).
- 7) Visites d'un technicien pour expliquer le fonctionnement de l'appareil au propriétaire.
- 8) Installation inappropriée (par exemple, encastrement d'un appareil autoportant, ou utilisation extérieure d'un appareil non conçu à cet effet). Une preuve d'achat doit être présentée pour toute demande de réparation sous garantie. Prière de garder le reçu. Pour faire honorer la garantie, présenter ce document à la station technique agréée ou s'adresser à :

Service sous garantie
Service au domicile



Gracias por elegir Silhouette

Sabemos que está emocionado. Nosotros lo estamos también! Sin embargo, cuanto más se familiarice con su nuevo aparato, mejor será su experiencia. Por lo tanto le sugerimos de manera especial que lea **este manual de instrucciones antes de conectar su nuevo aparato**. Este manual contiene importante información operacional que le ayudará a hacer un uso completo de las características técnicas disponibles en su aparato. El manual también contiene información diseñada para mejorar la fiabilidad y seguridad operacional de su aparato, así como consejos para el mantenimiento del mismo, lo que le traerá felicidad en los años venideros.

Por favor, visite www.silhouetteappliances.com para acceder a herramientas de autoservicio, preguntas frecuentes y más. En caso de necesitar asistencia adicional, por favor llame al 1-844-455-6097. Por favor tenga disponible su recibo de compra y número de modelo cuando llame.

Nota: Esta información será necesaria si su unidad requiere servicio o para hacer consultas generales. Para recibir servicio técnico debe sonstrar el recibo original.

Número de modelo: _____

Número de serie: _____

Fecha de la compra: _____

NECESITA AYUDA

Antes de solicitar servicio, hay algunas cosas que puede hacer para ayudarnos a servirle mejor:

Lea este manual:

Contiene instrucciones que lo ayudarán a mantener correctamente su unidad.

Si usted recibe un artefacto dañado:

Llame inmediatamente al distribuidor (o constructor) que se lo vendió.

Ahorre tiempo y dinero:

Lea la sección de Diagnóstico de problemas antes de llamar. Esta sección le ayudará a resolver problemas comunes que pudieran ocurrir.

Si necesita asistencia, no se preocupe y llámenos.



1-844-455-6097

INSTRUCCIONES DE SEGURIDAD IMPORTANTES

LEA TODA LA INFORMACIÓN DE SEGURIDAD ANTES DE USAR



ADVERTENCIA: ¡RIESGO DE QUE LOS NIÑOS QUEDEN ATRAPADOS!

Un equipo para fabricar hielo que esté vacío es una atracción muy peligrosa para los niños. Retire ya sea la junta, los pestillos, la cerradura o las puertas de los artefactos sin utilizar o desechados, o tome alguna otra medida para garantizar que no sean peligrosos. **NO ESPERE, ¡HÁGALO AHORA!**



ADVERTENCIA

Para evitar dificultades con la instalación u operación, consulte la guía de instalación separada.



IMPORTANTE

Cuando instale la unidad, ¡NO doble la manguera de drenaje!

INSTRUCCIONES PARA LA PUESTA A TIERRA

- Este artefacto debe estar conectado a tierra. Ante un caso de cortocircuito eléctrico, la puesta a tierra reduce el riesgo de descarga eléctrica al proporcionar un cable de escape para la corriente eléctrica.
- Este artefacto está equipado con un cable de alimentación que tiene un cable de conexión a tierra y un enchufe de conexión a tierra. El enchufe debe conectarse a un tomacorriente que esté correctamente instalado y conectado a tierra.
- Consulte a un electricista calificado o técnico de mantenimiento si las instrucciones sobre la puesta a tierra no se entienden por completo, o si tiene dudas sobre si el artefacto está conectado a tierra correctamente.
- Si el tomacorriente es una toma de pared estándar de dos entradas, es su responsabilidad personal y obligación reemplazarlo por una toma de pared de tres entradas correctamente conectada a tierra.
- Enchufe la unidad a una toma de pared exclusiva, correctamente conectada a tierra.
- **No** debe cortar ni eliminar bajo ninguna circunstancia la tercera pata (puesta a tierra) del cable de alimentación.
- **No** debe utilizar un enchufe adaptador con este artefacto.
- **No** debe utilizar una extensión con este artefacto. Si el cable de alimentación es demasiado corto, haga que un electricista calificado o técnico de mantenimiento instale un tomacorriente cerca del artefacto.



ADVERTENCIA

El uso inadecuado del enchufe de conexión a tierra puede implicar riesgo de descarga eléctrica.

¡GUARDE ESTAS INSTRUCCIONES!

INSTRUCCIONES DE SEGURIDAD IMPORTANTES

LEA TODA LA INFORMACIÓN DE SEGURIDAD ANTES DE USAR

INSTRUCCIONES PARA LA PUESTA A TIERRA

- Este artefacto debe estar conectado a tierra. Conecte solamente a una toma de corriente correctamente conectada a tierra. Vea la sección "Instrucciones para puesta a tierra".
- No ponga en funcionamiento este artefacto si tiene un cable de alimentación o un enchufe dañados, si no funciona correctamente, o si el artefacto se ha dañado o caído.
- Nunca permita que los niños accionen, jueguen con o entren en el artefacto.
- Nunca limpie las partes del artefacto con fluidos inflamables. Los gases pueden ocasionar un riesgo de incendio o explosión.
- No guarde ni utilice gasolina ni ningún otro vapor o líquido inflamable en los alrededores de este artefacto o cualquier otro artefacto. Los gases pueden ocasionar un riesgo de incendio o explosión.
- No empalme el cable de alimentación que se incluye con este artefacto.
- Mantenga el cable de alimentación alejado de las superficies calientes.
- No sumerja el enchufe del cable de alimentación ni el artefacto mismo en agua.
- No utilice este producto cerca de agua; por ejemplo, en un sótano húmedo, cerca de una piscina o de un lavabo.
- No utilice productos químicos o vapores corrosivos en este electrodoméstico.
- Utilice este artefacto solo para su uso previsto, tal cual se describe en este manual.
- Vea las instrucciones sobre la limpieza de la superficie de la puerta en la(s) sección(es) de Cuidado y limpieza de este manual.
- No cubra ni bloquee ningún orificio en el artefacto.
- Este artefacto solo debe utilizarse para uso doméstico.
- No intente hacer funcionar ni guardar este artefacto al aire libre.
- Solamente el personal de servicio calificado debe ocuparse del mantenimiento de este artefacto. Contacte al centro de servicio autorizado más cercano para inspección, reparación o ajuste.



ADVERTENCIA





Liberar muchos tipos de refrigerantes en la atmósfera daña el ambiente. Liberar refrigerante con HCFC, CFC o HFC deliberadamente es ilegal y está condenado por la ley. No altere ninguno de los componentes de este artefacto que contienen refrigerante. Asegúrese de respetar las ordenanzas municipales cuando deseche este o cualquier otro artefacto de refrigeración.

¡GUARDE ESTAS INSTRUCCIONES!

INSTRUCCIONES DE FUNCIONAMIENTO

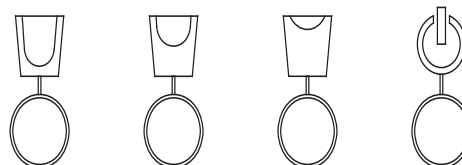
CONTROLES DEL EQUIPO PARA FABRICAR HIELO

El equipo para fabricar hielo debe colocarse en un lugar donde la temperatura ambiente esté entre 10 °C y 32 °C (50 °F y 90° F). Si la temperatura ambiente está por encima o por debajo de este rango, el rendimiento de la unidad puede verse afectado.








Control	Tipo	Acción	Explicación de la función
	Botón	Presionar	Para encender o apagar el equipo para fabricar hielo (presione y mantenga este botón presionado aproximadamente 3 segundos)
	Botón	Presionar	Hielo pequeño
	Botón	Presionar	Hielo mediano
	Botón	Presionar	Hielo grande

Verifique el suministro de agua.

1. Apague el suministro de agua.
 2. Desconecte la línea de suministro de agua del equipo para fabricar hielo.
 3. Coloque la línea de suministro de agua en una cubeta.
 4. Encienda el suministro de agua y asegúrese de que el agua caiga a la cubeta.
 5. Apague el suministro de agua nuevamente y vuelva a conectar la línea de suministro de agua al equipo para fabricar hielo.
- * Si no está seguro, comuníquese con su plomero local.



LUCES INDICADORAS

	Luz indicadora individual	ENCENDIDO	Se selecciona Hielo pequeño.
		INTERMITENTE	① El tanque de agua está lleno y emite un pitido (consulte la sección Solución sugerida).
	Luz indicadora individual	ENCENDIDO	Se selecciona Hielo mediano.
	Luz indicadora individual	ENCENDIDO	Se selecciona Hielo grande.
		INTERMITENTE	La cubeta de hielo está llena de hielo.
	Luz indicadora individual	ENCENDIDO	Compresor encendido
		APAGADO	Compresor apagado
		INTERMITENTE	Modo de espera
	Luces indicadoras simultáneas	Todas encendidas al mismo tiempo	② Nivel de agua bajo en el equipo para fabricar hielo (consulte la sección Solución sugerida).
	Luces indicadoras simultáneas	2 tamaños parpadeando al mismo tiempo durante 15 segundos	③ Avería del sensor (consulte la sección Solución sugerida).
	Luces indicadoras simultáneas	Todos los íconos parpadean al mismo tiempo.	④ Mal funcionamiento del sistema (consulte la sección Solución sugerida).

INSTRUCCIONES DE FUNCIONAMIENTO



IMPORTANTE

Esta máquina está diseñada para producir solamente hielo. No está diseñada para almacenar hielo a largo plazo. Traslade el hielo sobrante a un congelador para almacenarlo a largo plazo (más de 6 horas) si desea conservarlo.

CAMBIAR EL TAMAÑO DEL HIELO

NOTA: Los tamaños del cubo de hielo varían según la densidad y no el volumen. Un cubo grande es del mismo tamaño que un cubo pequeño pero contiene más agua congelada.

1. Asegúrese de que el suministro de agua esté conectado antes de cambiar el tamaño del hielo. El equipo para fabricar hielo se programa automáticamente para producir hielo mediano. Si necesita cambiar el tamaño del hielo, puede presionar los botones correspondientes (consulte la página anterior) y el tamaño de hielo elegido será indicado por la luz indicadora correspondiente.
2. Si desea dejar de hacer hielo pero mantener la unidad en modo de espera, presione el botón de encendido durante unos 3 segundos. Todas las luces indicadoras de hielo se apagarán y la luz indicadora de encendido seguirá parpadeando. En ese momento, el equipo estará en modo de espera. No deje la unidad en modo de espera más de 6 horas. Si desea empezar a hacer hielo de nuevo, sólo necesita presionar el botón de encendido una vez más.

CIRCULACIÓN CONSTANTE DE AGUA

Esta unidad funciona según un ciclo cerrado constante de agua, con poco desecho o sin desecho. Cuando la unidad está encendida y el recipiente de agua está en nivel bajo, entra agua fresca desde la fuente de agua. El recipiente de agua se llena hasta que el flotador del tanque de agua se activa. La bomba de recirculación hace circular el agua sobre la bandeja del evaporador de manera constante hasta que se produce hielo. *Este proceso es constante, siempre y cuando la unidad esté encendida.*

El agua que ingresa al drenaje ubicado en la parte inferior de la cavidad del equipo para fabricar hielo no se recicla. Esta agua se dirige a un receptáculo separado con un sistema de drenaje separado que drena desde la parte posterior de la unidad. *Esto asegura que siempre se utilice agua limpia.*

Nota: Si la unidad se apaga durante 24 horas o más, drene el agua del sistema de recirculación (vea a continuación).

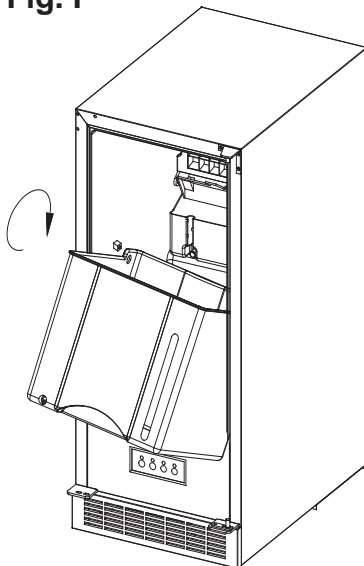
Nota: Si elige la opción de drenaje constante (consulte las instrucciones de instalación aparte) la unidad puede apagarse durante el proceso de drenaje. Si elige la opción de bombeo de drenaje (consulte las instrucciones de instalación aparte), debe mantener la unidad encendida.

Para drenar el agua del sistema: Primero apague el suministro de agua. Retire la cubeta de hielo y saque el tubo de drenaje de caucho de sus ganchos en la parte frontal del depósito interno de agua. Baje lentamente el tubo de drenaje de caucho hacia el puerto de drenaje ubicado en el lado derecho posterior de la cavidad del equipo para fabricar hielo. Se evacuará el agua. Cuando toda el agua se haya drenado, reemplace el tubo. **Nota:** Si elige la opción de drenaje constante (consulte las instrucciones de instalación aparte) y ha apagado la unidad, en ese momento puede volver a encenderse.

CUBETA DE HIELO

La cubeta de hielo está diseñada para retirarse fácilmente. Para retirarla, levante la parte frontal de la caja y simplemente júlela hacia afuera (consulte Fig. F).

Fig. F



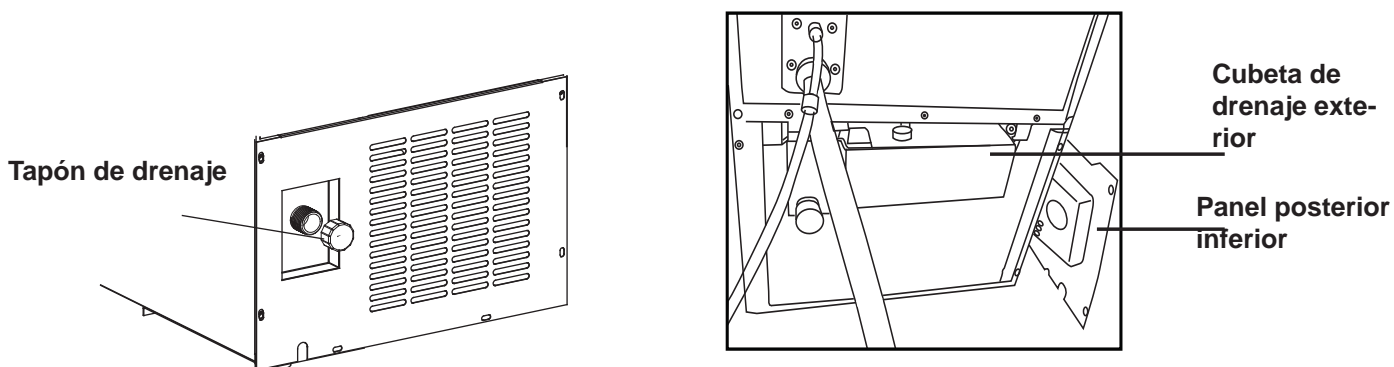
INSTRUCCIONES DE FUNCIONAMIENTO

CUCHARA PARA HIELO

Este artefacto viene equipado con una cuchara para hielo de acero inoxidable que también facilita la extracción de hielo de la cubeta de hielo. **Use esta cuchara para romper las láminas de hielo que caigan dentro de la cubeta.**

CORTE DE LUZ

La mayoría de los cortes de luz se solucionan en unas cuantas horas y no deberían afectar la temperatura de su artefacto si intenta abrir la puerta la menor cantidad de veces posible. Si la luz se va por un largo período de tiempo y está usando la opción de bombeo de drenaje (consulte las instrucciones de instalación aparte), deberá drenar manualmente el agua de su unidad antes de volver a usarla para evitar que se derrame. Consulte "Instalación de drenaje constante" para obtener instrucciones de drenaje en el manual de instalación separado. **Nota:** Drenar el agua del tanque de agua externa desenroscando el tapón de drenaje que se encuentra en la parte posterior de la unidad.



Nota: Cuando se restablezca la energía, la unidad está en modo de espera y la bomba se activará automáticamente para evitar fugas de agua.

TRASLADO DEL EQUIPO PARA FABRICAR HIELO

- Retire todos los elementos.
- Pegue bien todos los elementos sueltos (cubeta) dentro de su artefacto.
- Levante la pata ajustable hasta la base para evitar daños.
- Cierre la puerta y péguela.
- Asegúrese de que el artefacto se mantenga seguro en la posición vertical durante el transporte. Además, proteja la parte externa del artefacto con una manta o un objeto similar.
- El equipo para fabricar hielo debe reubicarse en el área más fría de la habitación, lejos de artefactos que produzcan calor y fuera de la luz directa del sol.

CUIDADO Y MANTENIMIENTO

GABINETE Y PUERTA EXTERIORES

- Lave el gabinete exterior con agua tibia y detergente líquido suave. Enjuáguelo bien y séquelo con un paño suave y limpio.
- Escurra el exceso de agua del paño o esponja cuando limpie las piezas eléctricas.

CICLO DE LIMPIEZA

Nota: La frecuencia de limpieza será determinada por la dureza del agua y la cantidad de uso.

1. Antes de empezar, apague la unidad y el suministro de agua de la unidad.
2. Cuando todo el hielo se haya derretido del evaporador y haya caído dentro de la cubeta de hielo, retire la cubeta (con cuidado para no derramar agua) y deseche el hielo o guárdelo en un congelador separado.

CUIDADO Y MANTENIMIENTO

CICLO DE LIMPIEZA

Nota: La frecuencia de limpieza será determinada por la dureza del agua y la cantidad de uso.

Nota: Si elige la opción de drenaje constante, la unidad debe estar apagada durante el siguiente paso. Si elige la opción de bombeo de drenaje (consulte las instrucciones de instalación aparte), mantenga la unidad encendida (esto permite que la bomba funcione).

3. Retire la manguera de drenaje de caucho de la parte delantera izquierda de la cavidad (Fig. H, artículo 4) del equipo para fabricar hielo. Incline lentamente la manguera de drenaje hacia el puerto de drenaje que se encuentra abajo en la parte derecha posterior, en la esquina inferior de la cavidad del equipo para fabricar hielo. El agua caerá en el puerto de drenaje. Incline la manguera de drenaje lentamente para asegurarse de que el agua no pueda derramarse fuera del área de la cubeta de hielo (**consulte la Fig. H**).
4. Cuando deje de salir agua de la manguera de drenaje, asegúrese de que toda el agua se haya drenado del área del tanque de agua. (Mire adentro para verificar que toda el agua se haya drenado del área del recipiente de agua) Revise el tanque de agua para identificar cualquier exceso de sedimentos y remuévalo si alguno presente. Lave el tanque antes de volver a instalar la manguera de drenaje en los ganchos. Reinstale la manguera de drenaje al presionarla nuevamente en los ganchos.
5. Llene el tanque de agua con una solución de limpieza compuesta por agua y vinagre en proporciones iguales. Luego, encienda el suministro de agua.
6. Si el cubo de hielo se ha eliminado, reinstale la cubeta de hielo después de que el tanque de agua deje de llenarse y cuando la unidad empiece a funcionar de nuevo.
7. Espere que la unidad produzca de 4 a 6 tandas de hielo y luego apague la unidad y espere que el hielo sobrante caiga en la cubeta de hielo.
8. Retire la cubeta de hielo y deseche las (6) tandas de hielo.
9. Si el modo de bombeo de drenaje está activado (vea las instrucciones de instalación aparte), encienda la unidad en este momento. La unidad tiene que estar en proceso (modo de operación) para que la bomba funcione. Si la unidad está en modo de espera, la bomba no funcionará. Una vez más, retire la manguera de drenaje de caucho de los ganchos del lado izquierdo y drene lentamente la solución de limpieza en el puerto de drenaje ubicado en el lado derecho inferior del área del gabinete.
10. Cuando se haya drenado toda la solución, vuelva a instalar la manguera de drenaje dentro de los ganchos, abra el suplidor del agua y deje que el tanque se llene. Reinstale la cubeta de hielo. Asegúrese de que el depósito esté lleno antes de que vuelva a encenderse la unidad.
11. Deseche las primeras 2 tandas de hielo que caigan en la cubeta de hielo.
12. La producción normal de hielo puede continuar cuando no hay evidencias de la presencia de solución de limpieza en la unidad.

1. Tabla de cubierta del evaporador
2. Placa de dirección
3. Recipiente de agua
4. Manguera de drenaje
5. Ganchos

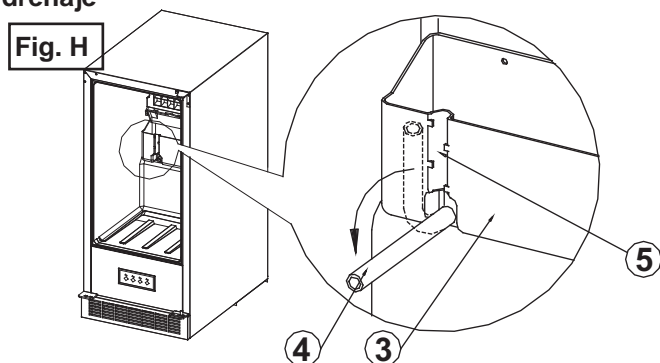
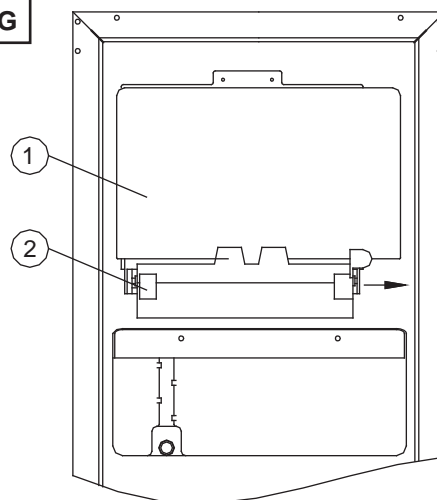


Fig. G



CUIDADO Y MANTENIMIENTO

MANTENIMIENTO ANUAL PARA ÁREAS CON AGUA DURA

1. Cuando todo el hielo haya salido del evaporador y haya caído dentro de la cubeta de hielo, retire la cubeta (con cuidado para no derramar agua) y deseche el hielo o guárdelo en un congelador separado.

Nota: Si elige la opción de drenaje constante (consulte las instrucciones de instalación aparte) la unidad puede apagarse durante el siguiente paso. Si elige la opción de bombeo de drenaje (consulte las instrucciones de instalación aparte), la unidad DEBE encenderse. Si la unidad está en modo de espera, la bomba continuará funcionando con el fin de evitar fugas de agua.

Nota: Debe apagarse el suministro de agua; de lo contrario, seguirá llenándose.

2. Retire el tubo de drenaje de caucho (4) del recipiente de agua (3). Incline lentamente la manguera de drenaje hacia el puerto de drenaje ubicado abajo en la parte derecha posterior, en la esquina inferior de la cavidad del equipo para fabricar hielo. El agua caerá en el puerto de drenaje (vea la Fig. H en la página anterior).

Nota: Incline el tubo de drenaje lentamente para asegurarse de que el agua no se derrame en el área de la cubeta de hielo.

3. Cuando deje de salir agua del tubo de drenaje, mire adentro para verificar que se haya drenado toda el agua del área del recipiente de agua. Reinstale el tubo de drenaje al presionarlo nuevamente en los ganchos.
4. Use una escobilla estéril para raspar y soltar cualquier acumulación de agua dura en el recipiente de agua (3,) en la cubeta de hielo, en la tabla de cubierta (1) y en la placa de dirección (2.) Luego, llene el recipiente de agua (3) con una solución de limpieza disolvente de cal aprobada y no tóxica, como un limpiador de equipo para fabricar hielo que se vende en tiendas o una solución de agua y vinagre en proporciones iguales (vea la Fig. G en la página anterior).
5. Luego, encienda el suministro de agua, vuelva a encender la unidad solamente si elige la opción de drenaje constante (consulte las instrucciones de separación aparte) y, si había apagado la unidad antes, y reinstale la cubeta de hielo. El recipiente de agua volverá a llenarse, y la unidad empezará a funcionar de nuevo.
6. Espere que la unidad produzca de 4 a 6 tandas de hielo y luego apague la unidad y espere que el hielo sobrante caiga en la cubeta de hielo.
7. Retire la cubeta de hielo y deseche las (6) tandas de hielo.

Nota: Debe apagarse el suministro de agua; de lo contrario, seguirá llenándose.

8. Una vez más, retire el tubo de drenaje de caucho del recipiente de agua (3) y drene lentamente la solución de limpieza en el puerto de drenaje ubicado en el lado derecho inferior del área del gabinete. Seguirá suministrándose agua si no se apaga el suministro (vea la Fig. H en la página anterior).
9. Cuando se haya drenado toda la solución, reinstale la cubeta de hielo. Vuelva a encender la unidad, sólo si elige la opción de drenaje constante (consulte las instrucciones de instalación aparte) y si había apagado la unidad antes.
10. Deseche las primeras 2 tandas de hielo que caigan en la cubeta de hielo.
11. La producción normal de hielo puede continuar cuando no hay evidencias de la presencia de solución de limpieza en la unidad.

VACACIONES

- **Si la unidad no se utiliza más de un día, apáguela y drene el agua completamente** (consulte "Circulación constante de agua" para obtener instrucciones de drenaje).
- **Sistema de acondicionamiento para el invierno:** Si la unidad sólo se utiliza la mitad del año, debe mantenerse limpia y libre de agua durante la otra mitad. Drene la unidad tal como se indica en la sección "Circulación constante de agua". Además, asegúrese de retirar toda el agua del tanque de drenaje. Siga el "ciclo de limpieza".

SOLUCION SUGERIDA

A menudo, un problema es menor y quizás no sea necesario llamar para obtener servicio. Utilice esta guía de resolución de problemas para encontrar una posible solución. Si la unidad continúa funcionando de manera incorrecta, llame a un centro de servicio autorizado o al número gratuito.

Tel: 1-844-455-6097

PROBLEMA	POSIBLE CAUSA	SOLUCIÓN
El equipo para fabricar hielo no funciona	<ul style="list-style-type: none"> No está enchufado El artefacto está apagado La unidad no recibe alimentación 	<ul style="list-style-type: none"> Asegúrese de que el artefacto esté enchufado y encendido Reemplace el fusible o reinicie el disyuntor
El hielo no es lo suficientemente grande o se derrite demasiado rápido	<ul style="list-style-type: none"> La temperatura del ambiente es demasiado alta La temperatura del ambiente es demasiadas veces o la puerta está entrabierta Condensador de suciedad Se selecciona el modo incorrecto 	<ul style="list-style-type: none"> Reduzca la temperatura ambiente Asegúrese de que la puerta esté cerrada y de que sólo se abra cuando sea necesario. Cerciórese de que la junta esté sellada contra el gabinete Retire el rodapié de la parte inferior frontal de la unidad y, con una aspiradora, limpie el área del condensador Seleccione el modo correcto para el tamaño de hielo
Alarma del equipo para fabricar hielo	<ul style="list-style-type: none"> El tanque de agua externo está lleno No hay suficiente agua 	<ul style="list-style-type: none"> Ver sección de abajo Ver sección de abajo
Vibraciones	<ul style="list-style-type: none"> El equipo para fabricar hielo no está nivelado 	<ul style="list-style-type: none"> Asegúrese de que el piso esté nivelado Ajuste las patas de nivelación
Ruido	<ul style="list-style-type: none"> El equipo para fabricar hielo no está nivelado El traqueteo puede provenir del flujo de refrigerante, lo cual es normal A medida que cada ciclo termina, puede oír borboteos causados por el flujo de refrigerante en su equipo para fabricar hielo La contracción y la expansión de las paredes internas puede causar ruidos de pequeños estallidos o de crujidos El suministro de hielo en cada ciclo puede causar un poco de ruido El ruido de flujo constante de agua es una función normal de la unidad 	<ul style="list-style-type: none"> Asegúrese de que el piso esté nivelado o ajuste las patas de nivelación Esto es normal Esto es normal Esto es normal Esto es normal Esto es normal
Pérdida de agua del equipo para fabricar hielo	<ul style="list-style-type: none"> El tubo de entrada de agua en la parte posterior está demasiado flojo El tubo de salida de agua en la parte posterior está demasiado flojo 	<ul style="list-style-type: none"> Ajuste el tubo de entrada de agua Ajuste el tubo de salida de agua

- “Tanque de agua lleno”:** Resuelva este problema al seguir las instrucciones antes de comunicarse con un centro de servicio autorizado.
 - Desconecte de la fuente de alimentación. Desentornille la tapa de drenaje ubicada en la parte posterior de la unidad y deje salir el agua (consulte la guía de instalación).
 - Luego de drenar toda el agua del tanque de agua externo, vuelva a conectar la unidad a la alimentación y esta seguirá funcionando con normalidad.
 - Si el “modo de bomba de drenaje” (consulte las instrucciones de instalación separadas) está activado, confirme que el “interruptor de bomba de drenaje” esté en la posición “ENCENDIDO”.
- “Equipo para fabricar hielo bajo en agua”:** Resuelva este problema al seguir estas instrucciones antes de comunicarse con un centro de servicio autorizado.
 - Verifique que el suministro de agua externo esté funcionando de forma habitual. Siga las instrucciones para “verificar el suministro de agua” (indicadas anteriormente) y espere 30 minutos para que la unidad se arregle.
 - Si esto no funciona, presione el botón de encendido para reiniciar la unidad.
- “Avería del sensor”:** Comuníquese con nuestro centro de servicio autorizado para recibir servicio de mantenimiento.
- “Mal funcionamiento del sistema”:** El sistema se apagará. Llame a un centro de servicio autorizado.



GARANTÍA LIMITADA PARA ELECTRODOMÉSTICO

Este producto de calidad está garantizado contra defectos de fabricación, incluyendo partes y mano de obra, siempre y cuando la unidad se utilice bajo las condiciones normales de funcionamiento para las que fue diseñado.

Esta garantía está solamente disponible para la persona que haya comprado originalmente esta unidad directamente de Danby Products Limited (Canada) o Danby Products Inc. (U.S.A.) (en adelante "Danby") o uno de sus distribuidores autorizados, y no es transferible.

CONDICIONES DE LA GARANTÍA

Las piezas plásticas, se autorizan por treinta (30) días solamente a partir de la fecha de la compra, sin las extensiones proporcionadas.

Primeros 24 meses Durante los primeros 24 meses, cualquier parte en buen estado de este producto que resulte defectuosa, incluyendo cualquier sistema sellado, será reparado o reemplazado, a opción del fabricante, sin cargo para el comprador ORIGINAL.

Para obtener servicio Danby se reserva el derecho de limitar la cobertura de "Servicio en Domicilio" sujeto a la proximidad de un Taller de Servicio Autorizado. Para todo artefacto que requiera servicio fuera del área limitada de "Servicio en Domicilio", el cliente será responsable por transportar dicho artefacto hasta el Taller de Servicio Autorizado más cercano. Consulte "Límites del servicio técnico a domicilio", a continuación. Comuníquese con el distribuidor donde haya comprado la unidad, o llame al Taller de Servicio Autorizado más cercano, donde debe ser reparada por un técnico calificado. Si esta unidad es reparada en otro lugar que no sea un Taller de Servicio Autorizado, o si la unidad se utiliza para aplicaciones comerciales, Danby no se hará responsable de ninguna forma y la garantía será anulada.

Límites del servicio técnico a domicilio Si el electrodoméstico está instalado en un lugar que se encuentra a 100 kilómetros (62 millas) o más del centro de servicios más cercano, se debe llevar la unidad al Centro de servicios Danby autorizado más cercano, ya que dicho servicio sólo puede realizarlo un técnico calificado y certificado por Danby para prestar servicios de garantía. Los cargos por transporte desde y hacia el lugar en que se efectúe el servicio técnico no están cubiertos por esta garantía y son de responsabilidad del comprador.

Nada dentro de esta garantía implica que Danby será responsable por cualquier daño que hayan sufrido los alimentos u otros contenidos de este aparato, ya sea debido a un defecto del aparato, o su uso, adecuado o inadecuado.

EXCLUSIONES

Salvo lo aquí indicado por Danby, no existen otras garantías, condiciones o representaciones, explícitas o implícitas, concretas o intencionales por parte de Danby o sus distribuidores autorizados y todas las demás garantías, condiciones o representaciones, incluyendo cualquier garantía, condiciones o representaciones bajo cualquier Acta de Venta de Productos o legislación o estatuto similar, quedan de esta forma expresamente excluidas. Salvo lo aquí indicado, Danby no serán responsables por ningún daño a personas o bienes, incluyendo la propia unidad, sin importar su causa, o de ningún daño indirecto causado por el desperfecto de la unidad, y al comprar esta unidad, el comprador acepta por la presente, indemnizar y proteger a Danby contra cualquier reclamo por daños a personas o bienes causados por la unidad.

CONDICIONES GENERALES

No se considerará ninguna de estas garantías o seguros cuando el daño o la necesidad de reparación sea el producto de los siguientes casos:

- 1) Falla del suministro eléctrico.
- 2) Daños en tránsito o durante el transporte de la unidad.
- 3) Alimentación incorrecta, como bajo voltaje, instalación eléctrica defectuosa o fusibles inadecuados.
- 4) Accidente, modificación, abuso o uso incorrecto del artefacto, tal como insuficiente ventilación del ambiente o condiciones de operación anormales (temperatura ambiente extremadamente alta o baja).
- 5) Utilización comercial o industrial (v.g., si el electrodoméstico no está instalado en una vivienda particular).
- 6) Incendio, daños por agua, robo, guerra, disturbios, hostilidades, actos de fuerza mayor como huracanes, inundaciones, etc.
- 7) Pedidos de servicio debido a desinformación del usuario.
- 8) Instalación inadecuada (v.g., instalación empotrada de un electrodoméstico diseñado como unidad independiente o uso de un electrodoméstico al aire libre que no esté aprobado para dicho fin).

Para acceder a la garantía se solicitará un comprobante de compra; por lo tanto, guarde su recibo. En caso de necesitar servicio de garantía, presente ese documento al TALLER DE SERVICIO AUTORIZADO.

Servicio de Garantía
Servicio en Domicilio

Danby Products Limited
PO Box 1778, Guelph, Ontario, Canada N1H 6Z9
Telephone: (519) 837-0920 FAX: (519) 837-0449

1-844-455-6097
11/14

Danby Products Inc.
PO Box 669, Findlay, Ohio, U.S.A. 45840
Telephone: (419) 425-8627 FAX: (419) 425-8629



**Model • Modèle • Modelo
DIM32D1BSSPR**

For service, contact your nearest service depot or call:

1-844-455-6097

to recommend a depot in
your area.

Pour obtenir de l'assistance, communiquez avec votre centre de service le plus rapproché ou composez le :

1-844-455-6097

pour localiser le dépositaire de votre région

Para reparaciones, llame a su centro de reparaciones más cercano o al:

1-844-455-6097

para recomendarle un centro de reparaciones en su área.

The model number can be found on the serial plate located on the back panel of the unit.

All repair parts available for purchase or special order when you visit your nearest service depot. To request service and/or the location of the service depot nearest you, call **toll free**.

When requesting service or ordering parts, always provide the following information:

- **Product Type**
- **Model Number**
- **Part Description**
- **Part Number**

Le numéro de modèle se trouve sur la plaque d'information sur la paroi arrière de l'appareil.

Toutes les pièces de recharge ou commandes spéciales sont disponibles de votre centre régional de service autorisé. Pour exiger le service et/ou le nom de votre centre de service régional, signalez le **numéro sans frais**.

Ayez les renseignements suivants à la portée de la main lors de la commande de pièce ou service :

- **Genre de produit**
- **Numéro de modèle**
- **Description de la pièce**
- **Numéro de pièce**

El número de modelo se puede encontrar en la placa serial situada en el panel trasero de la unidad.

Todas las piezas de reparación disponibles para la compra la orden especial cuando usted visita su depósito más cerca posible usted, **llama gratis**.

Al pedir servicio o pidiendo piezas, proporcione siempre la información siguiente:

- **Tipo de producto**
- **Número de modelo**
- **Descripción de la parte**
- **Número de pieza**

Danby Products Limited, Guelph, Ontario Canada N1H 6Z9

Danby Products Inc., Findlay, Ohio USA 45840