

4.7 mm | 20 mil & 4.7 mm | 12 mil
HALSTATT™
RIGID CLICK

PROSERIES™
LUXURY VINYL FLOORING
dalTile



SuperGuard™
REINFORCED SHIELD

UNICLIC®
PATENTED TECHNOLOGY

4.7 mm | 20 mil & 4.7 mm | 12 mil

HALSTATT™

RIGID CLICK

Take the scenic route with the elegant choice of luxury vinyl flooring, Halstatt, an SPC rigid core LVF with a click system and a 4.7mm thickness, 20 mil wear layer. This product is available in a 7-1/4" x 48" plank in six modern colors, Embossed in Registered and painted bevel. Halstatt offers an authentic European wood look feel with high-graphic variation and the ease of our proprietary Uniclic® locking mechanism, allowing for speedy installation.

AUTHENTIC DESIGN

- 7-1/4" x 48" wood look planks
- Cool and warm tone color palette
- 10 unique planks visuals
- Multi-layer SPC rigid core with Uniclic® Locking System
- Embossed in Register EIR
- Painted bevel

LASTING SOLUTION

- SPC rigid click
- SuperGuard™ Technology
- 20 mil wear layer for heavy foot traffic
- 100% Waterproof
- 100% Virgin Vinyl
- Limited 15 Year commercial warranty
- Limited Lifetime residential warranty
- Available in 4.7mm 12 mil wear layer via special order



Cover photo features Halstatt™ Scenic 7-1/4 x 48 plank.
Above photo features Halstatt™ Heritage 7-1/4 x 48 plank.

4.7 mm | 20 mil & 4.7 mm | 12 mil

HALSTATT™

RIGID CLICK

SIZES:



7-1/4 x 48
Plank

7.25 x 48 WOOD LOOK PLANKS



COTTAGE HT40



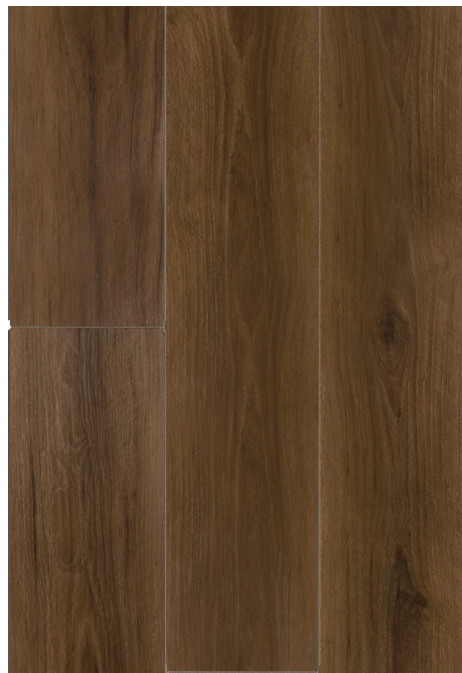
HERITAGE HT41



COBBLESTONE HT42



SCENIC HT43



PALISADE HT44



CRAFTSMAN HT45

INSTALLATION OPTIONS



BRICK

4.7 mm | 20 mil & 4.7 mm | 12 mil
HALSTATT™
 RIGID CLICK



NOISE REDUCING



EASY TO CLEAN



100% WATERPROOF



100% VIRGIN VINYL

SPECIFICATIONS	4.7 mm 20 mil	*4.7 mm 12 mil
Product Type:	SPC Rigid Core LVF	SPC Rigid Core LVF
Installation:	Rigid Click	Rigid Click
Thickness:	4.7 mm	4.7 mm
Wear Layer:	20 mil (0.508 mm)	12 mil (0.305 mm)
Finish:	SuperGuard™ Technology	SuperGuard™ Technology
Size:	7-1/4" W x 48" L Plank	7-1/4" W x 48" L Plank
Underlayment:	Pad Attached; 1.0 mm IXPE	Pad Attached; 1.0 mm IXPE
Bevel:	Painted Bevel	Painted Bevel
Embossing:	Embossed in Register EIR	Embossed in Register EIR
Plank Variation:	10 Unique Planks	6 Unique Planks
Sq. Ft./Carton:	28.84	28.84
Pieces/Carton:	12	12
Weight:	3.61 lbs per pc/ 43.32 lbs per carton	3.61 lbs per pc/ 43.32 lbs per carton
Warranty:	Limited 15 Year Commercial Warranty Limited Lifetime Residential Warranty	Limited 30 Year Residential Warranty

Installation Advisory: Halstatt™ click LVF uses Uniclic® Locking System; no adhesive required. See daltile.com/LVF for more recommended installation information.

Transitions: Click LVF transitions are offered in a Slim Trim Transition and Extra Tall Stair Nose and Stair Cap. Can be installed with or without underlayment, when total installation is 8.0 mm or less. See daltile.com/LVF for more information.

Stocking Platform: 4.7 mm, 20 mil

* Special Order Platform: 4.7 mm, 12 mil
 Additional platforms available on special order.
 Minimum order quantities apply. Contact your Daltile representative for additional information.

PERFORMANCE & CHARACTERISTICS

Construction:	Commercial Grade Luxury Vinyl Flooring; 100% Virgin Vinyl
Classification:	ASTM F1700 - Class III, Type B - Embossed
Squareness:	ASTM F2421 - Passes - ± 0.010" max
Size and Tolerance:	ASTM F2421 - Passes - Plank Length > 48 in. ± 0.080 in. (2 mm)
Thickness:	ASTM F386 - Passes - ± 0.008 inches
Dimensional Stability:	ASTM F2199 - Passes Residential & Commercial Res 0.25% / lin ft. (305 mm) avg max. Comm 0.2 % / lin. Ft. (305 mm) avg max
Static Load Limit:	ASTM F970 - Passes 250 psi
Residual Indentation:	ASTM F1914 - Passes - 0.001 inch. No puncture through wear layer/ decor into rigid core
Resistance To Chemicals:	ASTM F925 - Passes - No more than a slight change
Resistance To Light:	ASTM F1515 - Passes - ΔE < 8
Resistance To Heat:	ASTM F1514 - Passes - ΔE < 8

NOTES

See daltile.com/LVF for recommended installation and care guidelines.



CERTIFIED BY
SCS Global Services



7834 C.F. Hawn Freeway,
 Dallas, Texas 75217 | 1.800.933.TILE

To view the complete collection of
 Daltile® products and information,
 visit our website at daltile.com/LVF

PROSERIES™
 LUXURY VINYL FLOORING

daltile

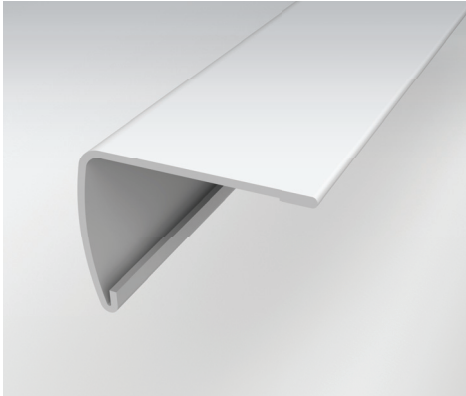
©2023 Dal-Tile, LLC (6/23)

HALSTATT™

RIGID CLICK TRANSITIONS

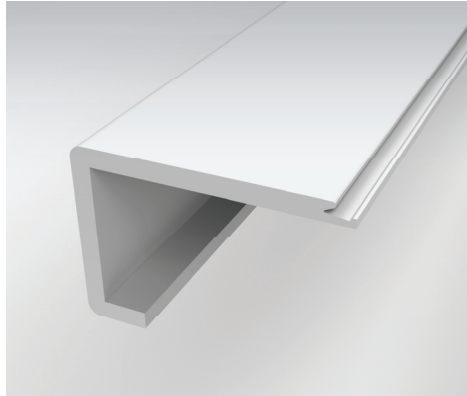
Three trims and moldings that are designed to coordinate with each of our existing colors within the collection.

- **EXTSN** Extra Tall Stair Nose (2" x 94")
- **VSCAP** Flush-Mount Vinyl Stair Cap (2-3/4" x 44")
- **SLIMT** Slim Trim Transitions - Four unique trims and moldings in one single SKU (2" x 94") (T-Molding, Hard Surface Reducer, Carpet Transition, End Cap)



EXTSN
Extra Tall Stair Nose

Creates a transition to the edge of the step by overlapping the flooring on the back end. Can also be installed flush on floors with an overall thickness up to 4 mm*.



VSCAP
Vinyl Stair Cap

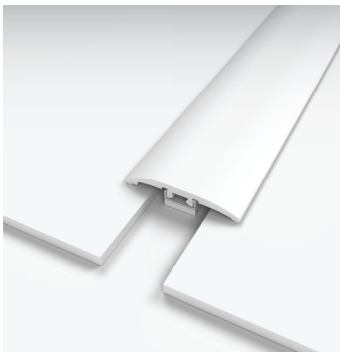
Creates a smooth and flush finish on the edges of steps by using the same vinyl flooring plank to ensure a corresponding color and texture.



SLIMT
SLIM Trim 4-in-1 Transition

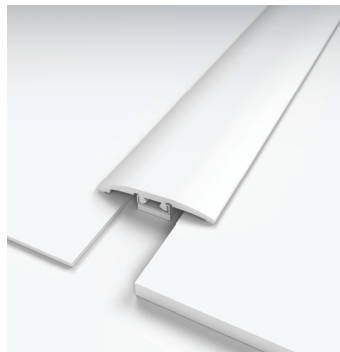
Performance Accessories' exclusive 4-in-1 transition allows you to utilize a single transition for four different applications.

EACH OF THE BELOW ARE ACHIEVED VIA THE SLIMT TRANSITION (SHOWN ABOVE)



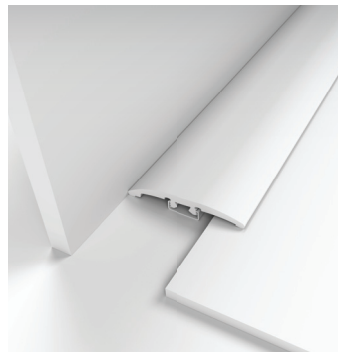
T-Molding

Used to transition between flooring of equal heights and in doorways.



Hard Surface Reducer

Connects two floors of different heights.



End Molding

Finishing up to a threshold, sliding door, etc.



Carpet Transition

Provides a smooth transition between your hard surface floor & carpet. A carpet tap down trim must be used & is sold at your local hardware store.



*References to flooring thickness refer to the total thickness of all members of the floor installation being laid upon the subfloor. This typically is comprised of the flooring plank, e.g. Vinyl or Laminate, the underlayment, either attached or loose lay and any additional vapor barriers.

PROSERIES™
LUXURY VINYL FLOORING

dalTile