
2-in-1 LED puck



These robust LED pucks, featuring a frosted lens, deliver highly efficient punches of white light. Well suited for under-cabinet lighting and a variety of other applications.



Model	Size	Watts	Delivered lumens	LED lumens	CRI	Color °T	Voltage
4005FR	Ø2.625"	1.5 W	90 lm	120 lm	80	3000 K	12 V
K4005FR	Ø2.625"	3 x 1.5 W*	90 lm	120 lm	80	3000 K	12 V
4005HP	Ø2.625"	2.6 W	235 lm	280 lm	80	3000 K	12 V

*Per fixture

Specifications

12V DC LED driver required
 Over 50,000 hours of service life
 12" input lead with quick connector
 24" interconnection harness included
 Can be recessed or surface mounted*
 Warm white light output
 Excellent color rendering
 Superior LED performance and lifespan
 Smooth 360° wide spread
 Minimal heat emission
 Brighter than most equivalent 20W halogen pucks
 Steel/aluminum construction
 Frosted glass lens
 Refer to website for dimmer compatibility
 5-year warranty
 Kits available

Note

Plug-in or hard-wired power supply required for installation. Sold separately.

Surface mount adapter - 4005HP-SURF needed for 4005HP puck. Sold separately.

Other Color °T and Finishes available, but may require MOQ's and longer lead times. Please contact your DALs representative for more information.

Finish

- **BK** Black
- **SN** Satin Nickel
- **WH** White

Power supplies: plug-in

ETR-LED10WPI
 12VDC/10W class 2 LED driver

ETR-LED24WPI
 12VDC/24W class 2 LED driver

Power supplies: hard-wired

BT06DIM-IC
 6W dimmable LED hardwire driver

BT12DIM-IC
 12W dimmable LED hardwire driver

BT24DIM-IC
 24W dimmable LED hardwire driver

BT36DIM
 36W dimmable LED hardwire driver

BT48DIM
 48W dimmable LED hardwire driver

Accessories

4000E-24
 24" extension cord

4000E-60
 60" extension cord

4000HRNS-24
 24" interconnection harness

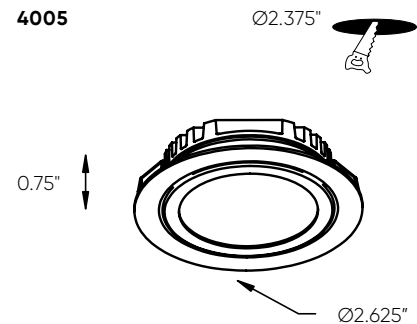
4005HP-SURF-BK
 Surface mounted adapter, black

4005HP-SURF-SN
 Surface mounted adapter, satin nickel

4005HP-SURF-WH
 Surface mounted adapter, white

Order example

4005FR-WH
 4005 single puck with a 2.1W LED array with 90 lumens at 3000K in a white finish



Surface mount adapter

