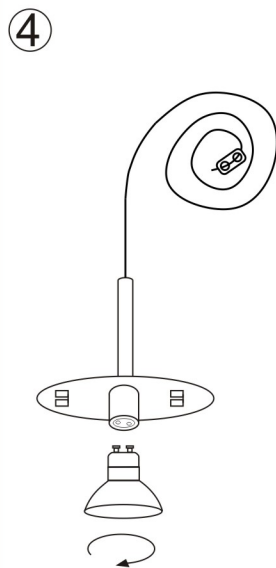
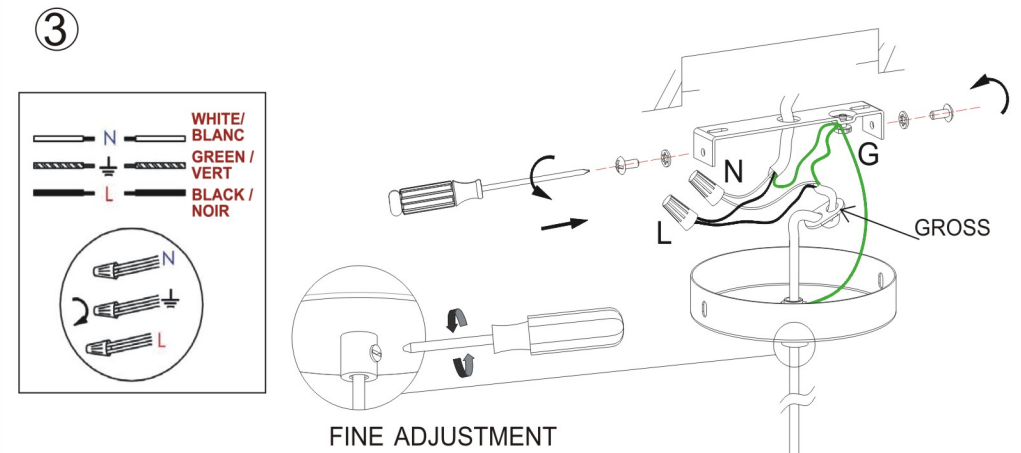
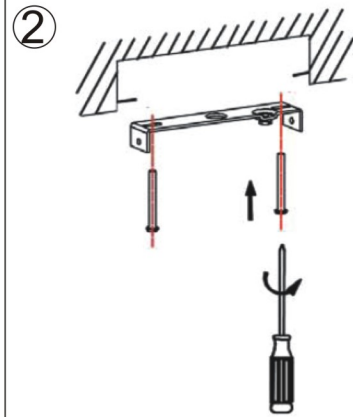
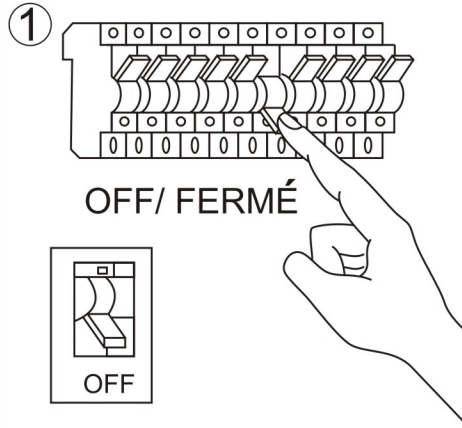
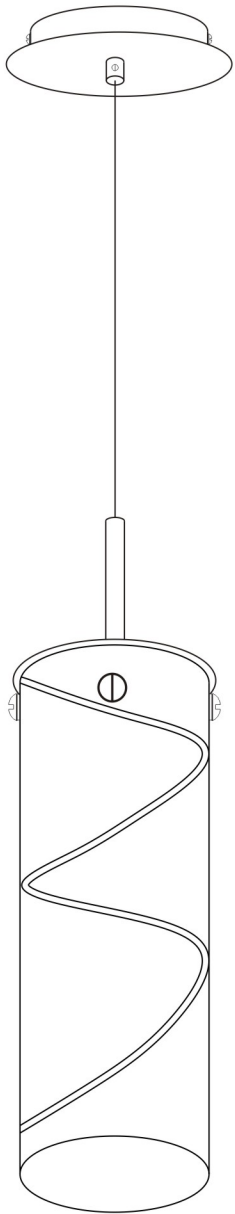


UM-1P-PC



 **1*50W
GU10**
**NOT INCLUDED
NON INCLUSE**

