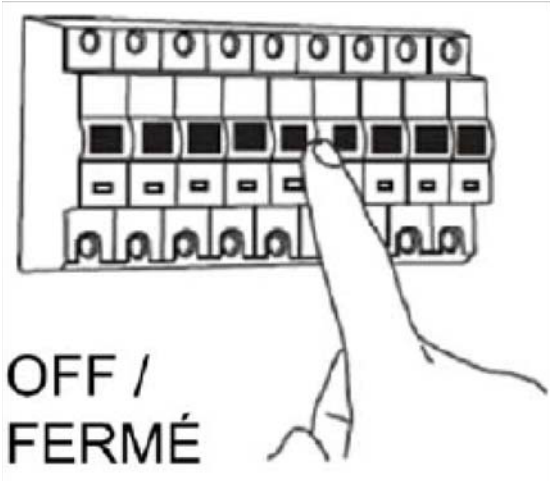
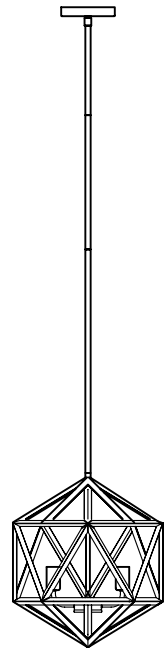
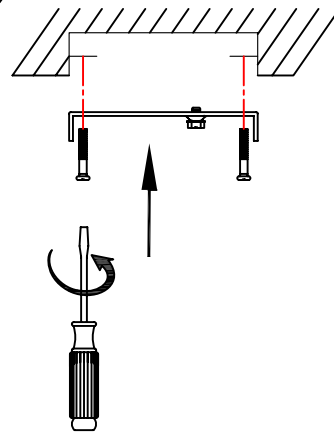


# MODEL ARC-143C

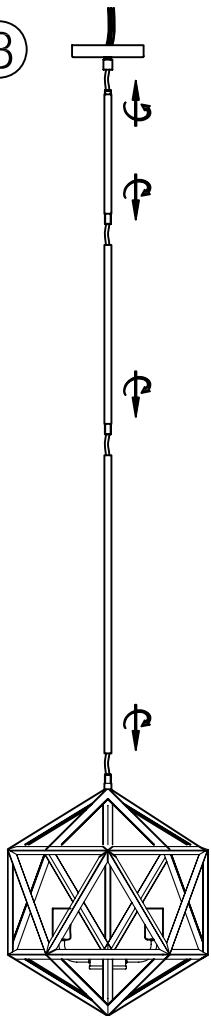
①



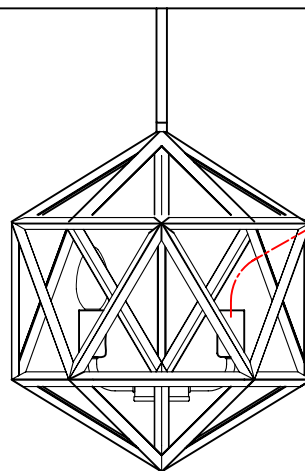
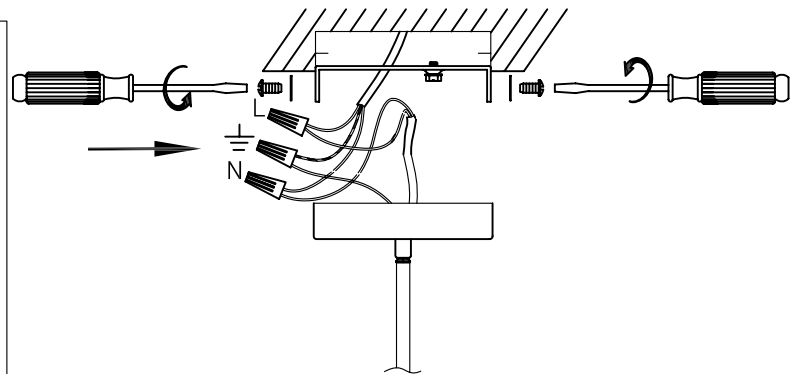
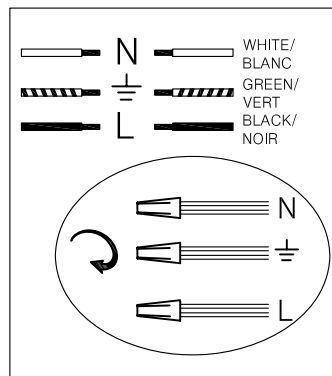
②



③



④



3\*60W MAX E12  
NOT INCLUDED/NOT INCLUS