



Installation Instructions

Modernist Built-In Refrigerator

DRR24/30/36*, DRZ18/24/30/36*

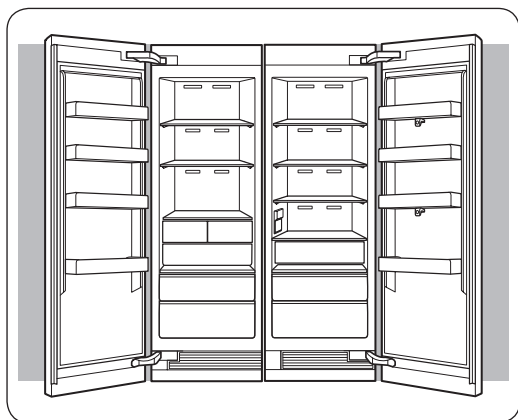
Contents

Before you begin...	4
Important	4
Customer-Service Information	5
If You Need Help...	5
Important Safety Instructions	6
State of California Proposition 65 Warning (US only)	6
General Safety Precautions	7
Safety and warning information	11
Installation safety	11
Installation Specifications	13
Installation options	14
Product Specifications	15
Custom Panel Specifications	16
Handle Specifications	17
Installation	18
Installation requirements	19
Installation preparation	19
Grounding the refrigerator	22
Water-pressure requirements	23
Connecting to the main water supply	24
Cabinet special requirements	25

Installation instructions	26
1. Uncrating the Refrigerator	26
2. Moving the Refrigerator	27
3. Installation preparation	28
4. Attaching the anti-tip-bracket	28
5. Removing Upper Door Cover, Kickplate	31
6. Attaching insulators on the side of the freezer or fridge	34
7. Side-by-side (Pair) Installation	35
8. Attaching the Refrigerator's Top Cover	38
9. Moving the Refrigerator Into Its Enclosure	39
10. Leveling the Refrigerator	41
11. Securing the Refrigerator	42
12. Attaching the Front-Panel Insulation	43
13. Attaching the Custom-Door-Panel Brackets	43
14. Hanging a Custom Panel	45
15. Preparing the Panel for Adjustment	46
16. Aligning the Panel	47
17. Attaching the Door's Interior Covers	50
18. Connecting the Water Line	52
19. Attaching kickplate and Toe kickplate (optional)	53
20. Attaching the Refrigerator Trim	54
21. Attaching Trim Top Cover	55
22. Removing the Interior Packaging	55
23. Adjusting the door spring	55
24. Adjusting the door Opening Angle	56
25. Cleaning	56
26. Installation Checklist	57

Before you begin...

Important



- The overall design and/or accessories may differ with the model.

Installer

- To promote safety and minimize problems, read this manual thoroughly before starting the installation. Leave this manual with the user.
- Write the appliance's model/serial numbers in this manual for service/maintenance reference.
- Model/serial numbers are on the data label in the refrigerator compartment.

User

- Keep this manual for personal reference and for that of inspectors, service personnel, etc.

SAVE THESE INSTRUCTIONS

Customer-Service Information

If You Need Help...

If you have questions or problems with installation, contact your Dacor® dealer or the Dacor Customer-Service team. If your Dacor appliance is under warranty, call Dacor Distinctive Service. Have the appliance's model/serial numbers available when you call. (These numbers are on the data label on the right-hand door jamb inside the refrigerator.)

Dacor Distinctive Service (repairs under warranty only)

Phone: (800) 793-0093 ex. 2822 (U.S.A. and Canada)

Monday – Friday 6:00 a.m. to 4:00 p.m. Pacific Time

Dacor Customer Service

Phone: (800) 793-0093 ex. 2813 (U.S.A. and Canada)

Monday – Friday 6:00 a.m. to 5:00 p.m. Pacific Time

Web site: www.dacor.com

All specifications are subject to change without notice. Dacor assumes no liability for changes to specifications.

© 2017 Dacor, all rights reserved.

SAVE THESE INSTRUCTIONS

Important Safety Instructions

The Important safety instructions and warnings in these instructions are not meant to cover all possible problems and conditions that can occur.

Use common sense and caution when installing, maintaining, or operating this or any other appliance.

Always contact the Dacor Customer Service Team about problems and conditions that you don't understand. See **Customer-Service Information**.

Safety symbols and labels

These alerts are meant to bring attention to important areas in the manual.

Whenever you see these symbols or labels, read the message carefully before continuing.

DANGER

Immediate hazards that **WILL** result in severe personal injury or death.

WARNING

Hazards or unsafe practices that **COULD** result in severe personal injury or death.

CAUTION

Hazards or unsafe practices that **MIGHT** result in minor personal injury or property damage.

State of California Proposition 65 Warning (US only)

WARNING : This product contains chemicals known to the State of California to cause cancer and birth defects or other reproductive harm.

SAVE THESE INSTRUCTIONS

WARNING - R600a Refrigerant

This appliance contains isobutane refrigerant, R600a, a natural gas with high environmental Compatibility. However it is also flammable. Please adhere to the warnings below :

- When handling, installing and operating the appliance, care should be taken to avoid damage to the refrigerant tubing.
- Servicing shall be performed by manufacture-authorized service personnel and component parts shall be replaced with manufacturer-authorized replacement components.
- Refrigeration products contain refrigerants, which under federal law must be removed prior to product disposal.
- Keep ventilation openings in the appliance enclosures or in the built-in structure clear of obstruction.
- In order to avoid the creation of a flammable gas-air mixture if a leak in the refrigerating circuit occurs, the size of the room in which the appliance may be sited depends on the amount of refrigerant used. The room must be 35.3 ft³ in size for every 8 g of R-600a refrigerant inside the appliance.
- The installation location should not be exposed to direct sunlight and not placed near any electric appliance or heat source, e.g. stove, oven or hob, radiator, etc.
- If you use two products side by side, for safety reason, be sure to use certified products in explosive gas atmospheres.
- Do not use mechanical devices or other means to accelerate the defrosting process.
- Do not damage refrigerant circuit.
- Do not use electrical appliances inside the food storage compartment of the appliance.

General Safety Precautions

DANGER

IMPORTANT:

To prevent child entrapment and suffocation when discarding an old appliance:

- Take off the door(s).
- Leave the racks in place so children cannot easily climb inside.
- Cut the prongs off the power plug and discard them.
- Cut the power cable off and discard it separately from the old appliance.

SAVE THESE INSTRUCTIONS

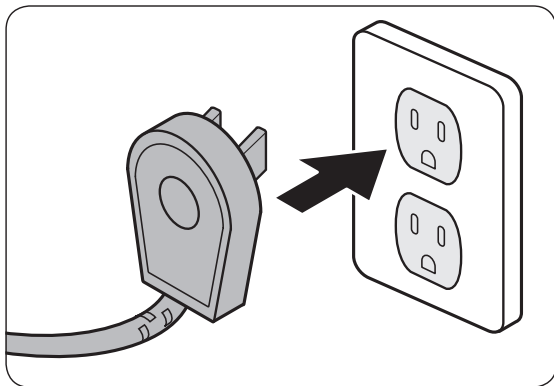
Important safety instructions

To avoid the possibility of explosion or fire, do not store or use combustible, flammable or explosive vapors and liquids (such as gasoline) inside or in the vicinity of this or any other appliance. Also keep items that could explode, such as aerosol cans away from cooktop burners, ovens and range hoods. Do not store flammable or explosive materials in adjacent cabinets or areas.

WARNING

IMPORTANT: This appliance is equipped with a three-prong grounding electric plug for protection against possible electric shock hazards. It must be plugged into a dedicated, grounded, electrical outlet. If only a two-prong electrical outlet is available, it is the responsibility of the customer to have it replaced with a dedicated, properly grounded three-prong electrical outlet.

- Do not kink or pinch the power supply cord of the appliance.
- Never unplug the appliance by pulling on the power cord.
- Always grip the plug firmly and pull straight out from the electrical outlet.
- Disconnect this appliance when not in use.
- Do not install, repair, modify, or replace any part of the appliance unless specifically recommended in the literature accompanying it.
- A qualified service technician should perform all other service.



DO NOT cut or remove the third (ground) prong from the power cord.

DO NOT use an adapter plug.

DO NOT use a power cord that is frayed or damaged.

DO NOT connect the appliance to an extension cord. Keep the power cord away from heated surfaces.

NOTE

- Use of an electrical outlet with a ground.
- Use of an electrical outlet with a ground fault interrupter (GFI) is not recommended.

SAVE THESE INSTRUCTIONS

WARNING

To reduce the risk of fire, electric shock, serious injury or death when using your appliance, follow basic safety precautions, including the following:

If you receive a damaged product, immediately contact your dealer or builder. Do not install or use a damaged appliance.

Make sure that this appliance has been properly installed according to these installation instructions.

Make sure Install outlet locations according to electric supply location.

Refrigeration equipment and refrigerants must be properly disposed of in a professional and appropriate way, in accordance with the current local regulations and laws which protect the environment. This applies to your old appliance and to your new unit once it has reached the end of its service life. DO NOT dispose of the appliance in a landfill or with urban waste. Contact local waste disposal centers for information on how to dispose of recyclable waste.

Take care when handling, moving, using or disposing of the appliance to avoid damaging the refrigeration system.

Do not install or use outdoors or in wet conditions. This appliance is not designed for installation in a recreational vehicle or boat.

Keep packaging materials away from children. Plastic sheets and bags can cause suffocation.

Connect this appliance to a 115 V, 15 A. circuit that is controlled by a circuit breaker or fuse. This appliance should have its own separate grounded circuit.

Do not kink or pinch the power supply cord of the appliance. Never unplug the appliance by pulling on the power cord. Always grip the plug firmly and pull straight out from the electrical outlet.

Disconnect this appliance when not in use.

Do not install, repair, modify, or replace any part of the appliance unless specifically recommended in the literature accompanying it. A qualified service technician should perform all other service.

Before performing any type of service, switch power off at the circuit breaker panel.

SAVE THESE INSTRUCTIONS

Important safety instructions

This appliance is not intended for use by persons (including children) with reduced physical, sensory abilities, or lack of experience and knowledge, unless they are properly supervised by a person responsible for their safety. Children must be supervised for their safety.

Never allow anyone, including children to sit, stand or climb on any part of the appliance, including the door. Doing so may cause damage, serious injury or death.

If the power cord is damaged, it must be replaced by the manufacturer or a qualified service technician in order to avoid a safety hazard. Do not tamper with the controls.

Clean this appliance regularly as instructed in the Care and Cleaning section of the User manual. Clean the ice bucket or drawer regularly.

When the freezer is functioning, do not touch the inner stainless steel surfaces with wet or damp hands, since skin may stick to the very cold surfaces.

Do not use any type of electrical equipment inside the refrigerator or freezer compartments.

Do not obstruct any of the vents or openings on the appliance.

To avoid risk of the appliance tipping over it is mandatory to secure the appliance to the wall by means of the two supplied anti-tip brackets.

Use this appliance only for its intended purpose: the storage of food and beverages . It is not intended for commercial or industrial use.

Be careful when installing electrical component box is damaged or not by the shock departure.

Open and hold the handle when opening and closing the door.

When you open and close the door, be careful not to put your hands in the doorway.

SAVE THESE INSTRUCTIONS

Safety and warning information

Installation safety

Location and installation safety

WARNING

- Before installing the refrigerator, connect it to a power outlet and turn the refrigerator ON to make sure the refrigerator is working.
- Choose a location away from the heat of a heater, boiler, or direct sunlight.
- Install the unit where air flows freely and where the refrigerator is well ventilated.
- Install the unit so that air flows unobstructed through the front air grill. If the air circulation is not ensured, it may interfere with the normal functioning of the product.
- Outside animals (rodents) can chew on the power cord and cause a fire; therefore, install the unit where there is no access to animals.
- If the cabinet is made of soft material (ex: plaster, etc.), it can have a weak structure and be damaged. Therefore, use a cabinet made of sturdy, strong material.
- Install the refrigerator with a team of at least 2 people.
- Refer to the dimensions of the cabinet and prepare the cabinet with good air circulation.
- Use cabinet that will not warp from product heat emissions or humidity from the opening and closing of the refrigerator.

NOTE

This refrigerator is a “built-in” style refrigerator, meaning that the refrigerator requires installation inside a recess in existing kitchen cabinetry.

Before moving the refrigerator, clear the route to the location where it will be installed.

Check all product dimensions and the tipping radius with any doorways, hallways, stairs, corners, etc., to ensure a clear passageway.

WARNING



Tip Hazard

This appliance is relatively heavy on the top and prone to tip over when not securely installed.

Keep doors taped closed until refrigerator is in its final position and ready to be secured in place.

Use two or more people to move and install refrigerator.

Failure to do so can result in death or serious injury.

Safety and warning information

 **DANGER**



Explosion Risk

Keep flammable materials and vapors - such as gasoline - away from the refrigerator.
Failure to do so can result in death, explosion, or fire.

Installation Specifications

WARNING

Observe all governing codes and ordinances during planning and installation. Contact your local building department for further information.

WARNING

Electrical and grounding connections must comply with the applicable portions of the national electrical code and/or other local electrical codes.

This appliance comes with an electrical cord with a three-prong grounding plug for a 115 Vac, 15 Amp. power supply. Plug it into a 115 Vac, three-prong, grounding electrical outlet only.

Unless a whole house **filtration system** is installed, the provided water filter cartridge, should be installed according to the User manual.

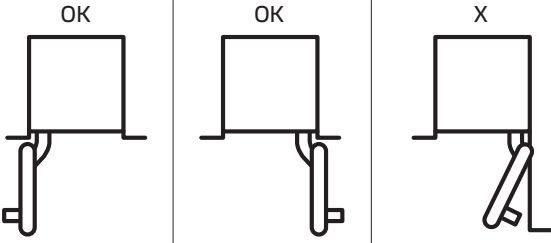
Turn OFF the **ice maker** using the **ICE** key whenever the water supply valve is turned off. The **ICE** key is lit when the ice maker is on.

The appliance features a lighting system with high intensity LED lamps. Do not stare into these lamps when they are on to avoid possible eyesight damage.

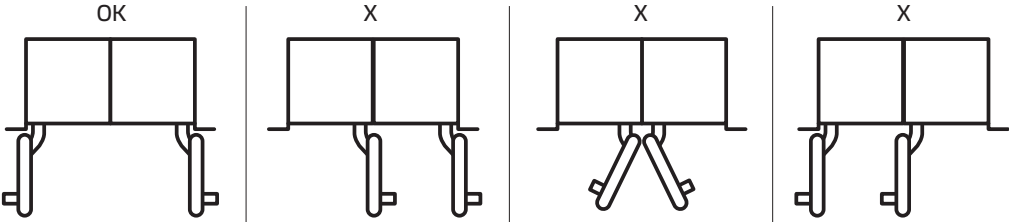
Installation options

There are many different installation options.
These are limited only by the design of the kitchen.

Individual appliance

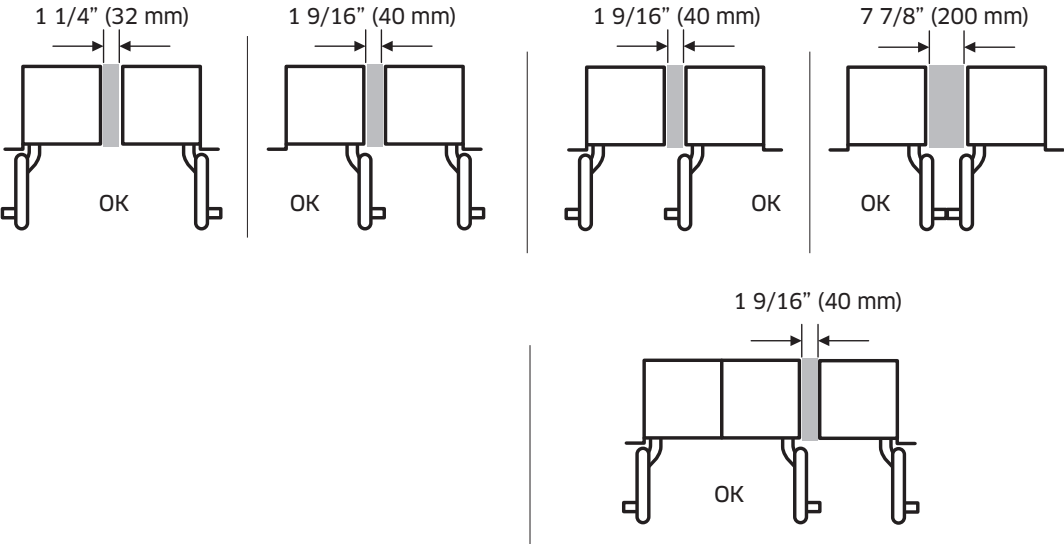


Side-by-Side (Pair)

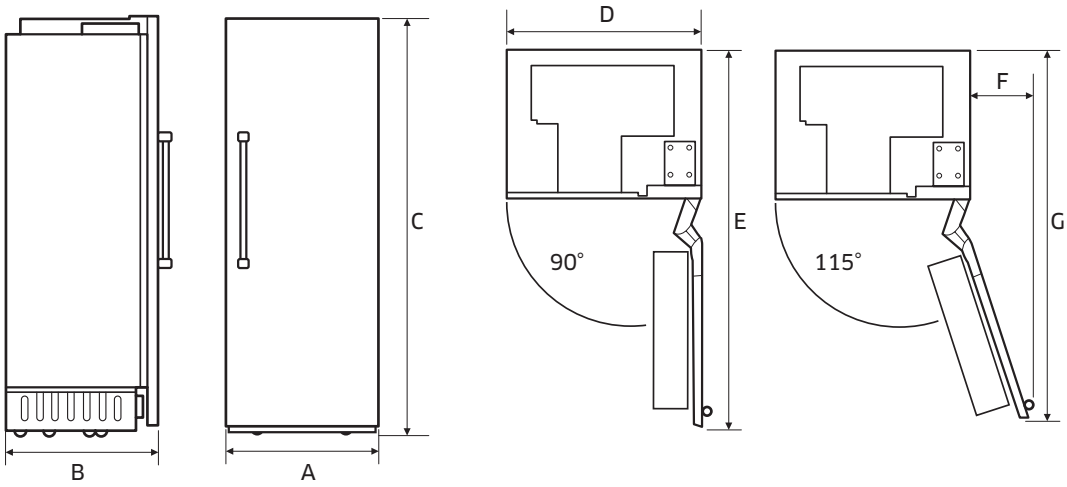


Individual appliances with partition

Minimum thickness of the partition 5/8" (16 mm)



Product Specifications



Callout	18"	24"	30"	36"
A	17 3/4" (451 mm)	23 3/4" (603 mm)	29 3/4" (756 mm)	35 3/4" (908 mm)
B	25" (635 mm)			
C	83 3/8" (2118 mm)			
D	17 5/8" (447 mm)	23 5/8" (600 mm)	29 5/8" (752 mm)	35 5/8" (905 mm)
E	44 3/4" (1136 mm)	50 3/4" (1289 mm)	56 11/16" (1440 mm)	62 7/8" (1597 mm)
F	11 13/16" (275 mm)	13 11/16" (348 mm)	16 9/16" (421 mm)	20 9/16" (496 mm)
G	43 7/8" (1114 mm)	49 11/16" (1261 mm)	55 5/16" (1404 mm)	61 5/16" (1556 mm)

Product Specifications

Custom Panel Specifications

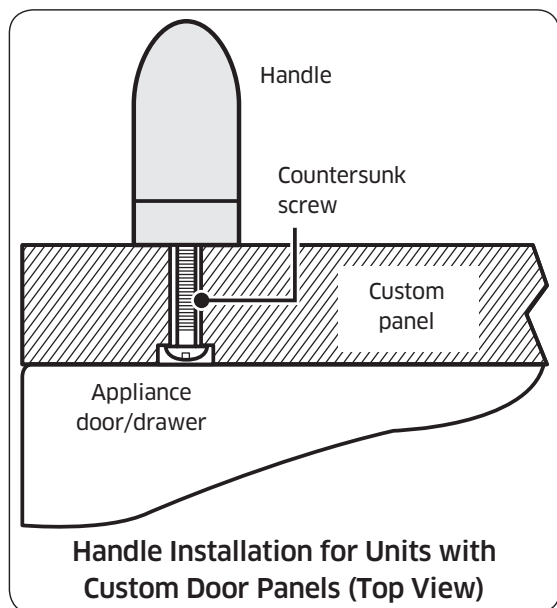
Do not exceed the max load that the custom panel can endure. Before crafting the panel, check the strength of the panel's material and the load of attachments to the panel.

	18"	24"	30"	36"
Custom Panel Maximum Weight (included handle)	132 lb (60 kg)	110 lb (50 kg)	88 lb (40 kg)	66 lb (30 kg)

NOTE

- Custom Panel Maximum Weight (included handle) = Limit load of Hinge (242 lb) - Weight of door and load.
- Custom panel thickness is 3/4" (19mm).

Handle Specifications



Before installing the custom panels, you must first install the door/drawer handles. With custom panel models, you have the advantage of being able to select a handle style that meets your own personal taste. Handles are not provided with custom panel models. Selected handle kits are available through your Dacor dealer. Dacor does not advise the use of single pull knobs.

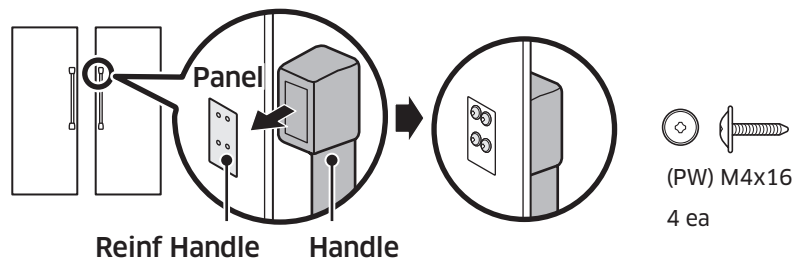
Most handle kits do not include the necessary mounting screws because screw length varies with panel thickness. The panel craftsman needs to select and purchase the required fasteners for the installation. The screw heads must be countersunk into the panel to prevent interference during depth adjustment.

Attach the Dacor-provided handle

WARNING

Follow these instructions to attach the Dacor-provided handle. Otherwise, the handle may be damaged or malfunction.

1. Put the reinforced handle support on the rear of the door panel, and then put the handle on the front of the door panel.
2. As shown, tighten the 4 screws on each of the upper and the lower sides of the handle. Do not tighten them excessively.



Installation

WARNING

Do not install the appliance:

- outdoors,
- in an environment with dripping water.

Appliance is very heavy :

Refrigerator 24" approx. 377 lb/171 kg

Refrigerator 30" approx. 472 lb/214 kg

Refrigerator 36" approx. 567 lb/257 kg

Freezer 18" approx. 289 lb/131 kg

Freezer 24" approx. 386 lb/175 kg

Freezer 30" approx. 483 lb/219 kg

Freezer 36" approx. 580 lb/263 kg

Installation room

The appliance should be installed in a dry, ventilated room.

Secure installation

The appliance is very heavy and has a tendency to tilt forwards when the appliance door is opened.

Do not open the door until there is no possibility of the appliance tipping over.

The most secure way to install the appliance is to use the supplied anti-tipping devices.

Floor

The subsurface must be level and even in order to ensure that the appliance is securely installed and works correctly.

The subsurface must be made from a hard, non-flexible material to cover the weight of appliance.

Aligning the appliance

To ensure that the appliance functions correctly, it must be levelled properly.

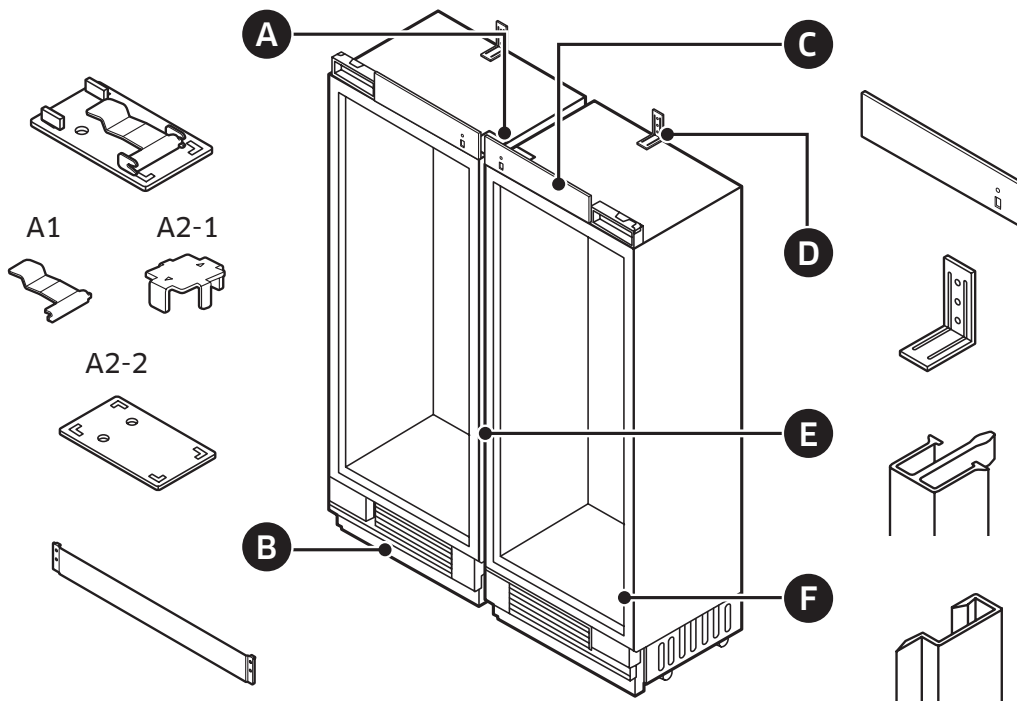
If the appliance is not level, water may flow out of the ice maker, ice cubes may be irregular or the doors may not close properly.

Installation requirements

Installation preparation

Cabinet installation parts

Using the table on next page, verify that all installation parts are present as you unpack the appliance.



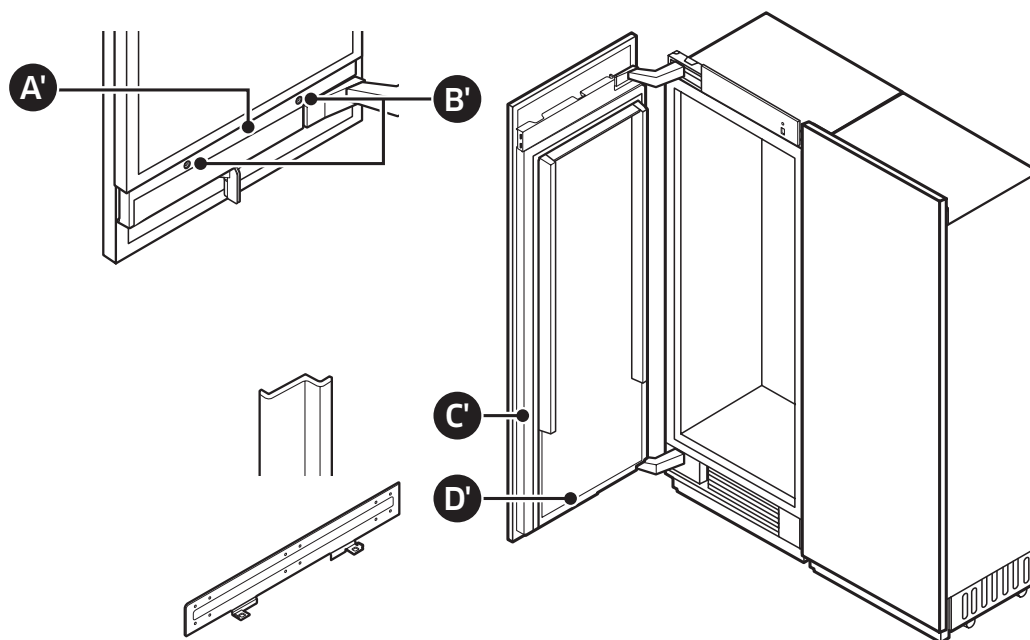
Check the installation parts when unpacking.

PARTS		SINGLE-INSTALLATION	PAIR-INSTALLATION	
A	A1	LEVER	-	2
	A2-1	LOWER PLATE	-	1
	A2-2	UPPER PLATE	-	1
B	KICKPLATE	1	2	
C	Refrigerator Top Cover	1	2	
D	ANTI-TIP BRACKET	18", 24", 30" : 1 36" : 2	18", 24", 30" : 2 36" : 4	
E	CENTER TRIM	-	1	
F	CABINET SIDE TRIM	2	2	

Installation requirements

Door installation parts






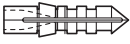
Using the table below, verify that all door-installation parts are present as you unpack the appliance.




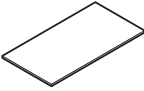
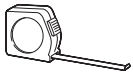


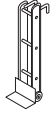

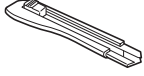


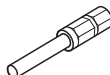
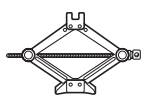
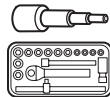

Check the installation parts when unpacking.

PARTS		SINGLE-INSTALLATION	PAIR-INSTALLATION
A'	LOWER DOOR CAP	1	2
B'	CAP	2	4
C'	DOOR SIDE TRIM	2	4
D'	PANEL BRACKET	2	4

Screw and Nut

	M6x12	12 ea		(FH) M4x14	22 ea
	(TH) M4x16	24 ea		M4x35	3 ea (36": 6 ea)
	M8	2 ea		ø6x30	3 ea (36": 6 ea)

Tools required

NO	Tool		NO	Tool	
1		Electric Screwdriver	8		Protective Floor Mat
2		Measuring Tape	9		Stepladder
3		Flat/Slot Head Screwdriver	10		Appliance Dolly
4		Cutter (Scissors)	11		Cutter
5		Adjustable Wrench	12		Level
6		Phillips Head Screwdriver	13		Jack
7		Ratchet 3/8" (10 mm), 1/2" (13 mm)	14		Combination Wrench 3/8" (10 mm), 1/2" (13 mm)

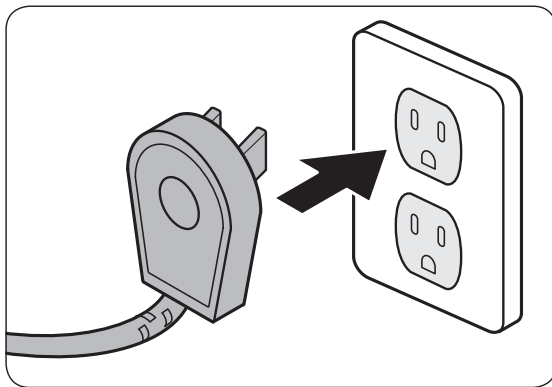
Installation requirements

Grounding the refrigerator

CAUTION

Electrical and grounding connections must comply with the applicable portions of the national electrical code and/or other local electrical codes.

This appliance comes with an electrical cord with a three-prong grounding plug for a 115 Vac, 15 Amp. power supply. Plug it into a 115 Vac, three-prong, grounding electrical outlet only.



DO NOT, UNDER ANY CIRCUMSTANCES, CUT OR REMOVE THE THIRD (GROUND) PRONG FROM THE POWER CORD.

DO NOT USE AN ADAPTER PLUG TO CONNECT THE REFRIGERATOR TO A 2-PRONG OUTLET.

DO NOT USE AN EXTENSION CORD WITH THIS APPLIANCE.

WARNING



Electric Shock Hazard

Plug into a grounded, dedicated 3-prong outlet.

Do not remove the ground prong.

Do not use an adapter.

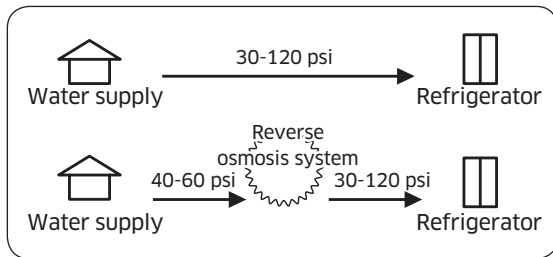
Do not use an extension cord.

Failure to follow these instructions can result in death, fire, or electric shock.

Water-pressure requirements

A cold water supply with water pressure from 30 to 120 psi (207 to 827 kPa) is required to operate the water dispenser and ice maker.

If you have questions about your water pressure, call a licensed, qualified plumber.



Reverse osmosis system in the water supply

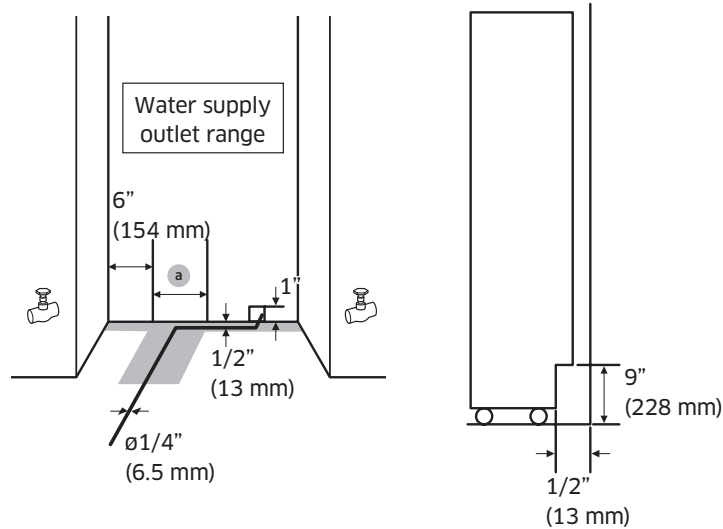
IMPORTANT: The pressure of the water supply leaving a reverse osmosis system going to the refrigerator's water inlet valve must be from 30 to 120 psi (207 to 827 kPa).

The water pressure from the cold water supply to the reverse osmosis system needs to be a minimum of 40 to 60 psi (276 to 414 kPa).

Installation requirements

Connecting to the main water supply

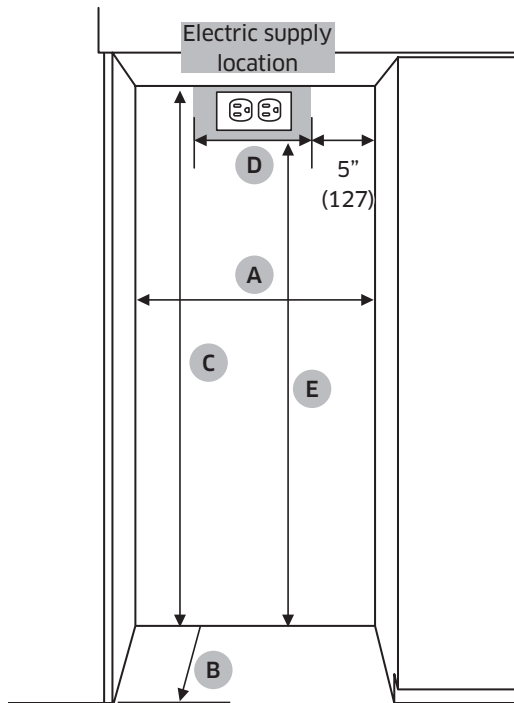
Before connecting the refrigerator's water line to the house's main water supply, you need to familiarize yourself with the house's plumbing layout.



Callout	18"	24"	30"	36"
a	3" (76 mm)	5 1/2" (140 mm)	6" (154 mm)	9" (228 mm)

- Decide how best to use the plumbing layout. Then
- Tap into the main water line while following these requirements:
 - The installer must provide the 1/4-in (6.5 mm) water line and all fittings.
 - The water line must be long enough to provide slack to allow the refrigerator to be moved for floor cleaning and servicing, without the need to first disconnect the water line.
 - All new installations must meet local plumbing code requirements.
 - The water shutoff should be placed in the base cabinet on either side of the refrigerator or in some other easily accessible area.
 - If the water shut-off valve is placed in the back wall behind the refrigerator, it must be at an angle so that the water line is not kinked when the refrigerator is pushed into its final position.
 - Make sure the water supply pipe is within the range shown in the 1" illustrations.
 - The water hose is positioned within 1/2" from the back wall, and is withdrawn to the front along the gray-colored area in the figure above. The water hose must be taped on the floor.

Cabinet special requirements



- A : Cabinet Width
- B : Cabinet Depth
- C : Cabinet Height
- D : Electrical supply width location
- E : Electrical supply height location

Callout	18"	24"	30"	36"
A	18" (457 mm)	24" (610 mm)	30" (762 mm)	36" (915 mm)
B	25" (635 mm)	25" (635 mm)	25" (635 mm)	25" (635 mm)
C	84" (2134 mm)	84" (2134 mm)	84" (2134 mm)	84" (2134 mm)
D	8" (203 mm)	14" (356 mm)	20" (508 mm)	26" (660 mm)
E	80" (2032 mm)	80" (2032 mm)	80" (2032 mm)	80" (2032 mm)

- B : Includes the standard door panel thickness with 3/4".
- Installation inside a cabinet of this width allows the refrigerator trim to be attached directly to the surrounding cabinets.

Installation instructions

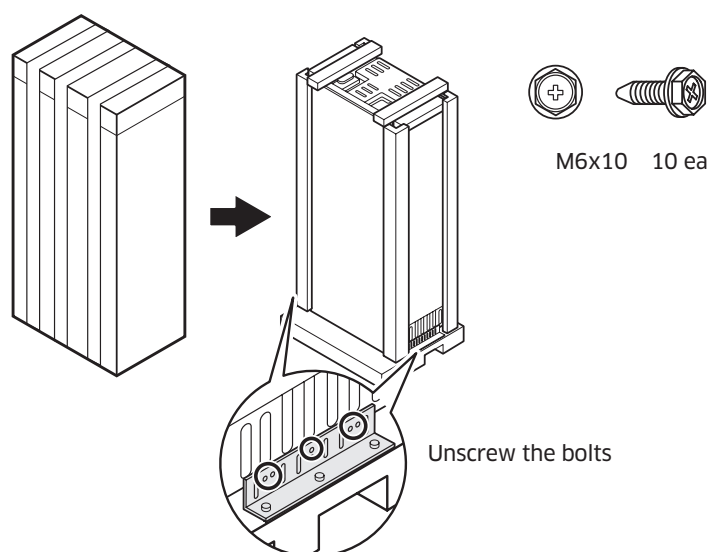
1. Uncrating the Refrigerator

Check the appliance for transit damage.

Do not install the appliance if it is visibly damaged.

If in doubt, contact your dealer.

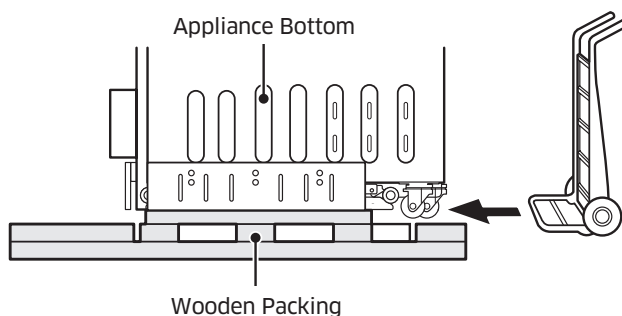
1. Remove the PP-banding, cardboard crate, EPS, and Pe-bag.
2. Remove the brackets from the pallet by unscrewing the bolts (five per bracket).



⚠ CAUTION

Use caution not to damage the appliance when unloading it from the pallet.

3. As shown, insert the hand truck between the appliance and the wooden packing. While tilting the appliance up to the rear, unload it from the wooden packing.



2. Moving the Refrigerator

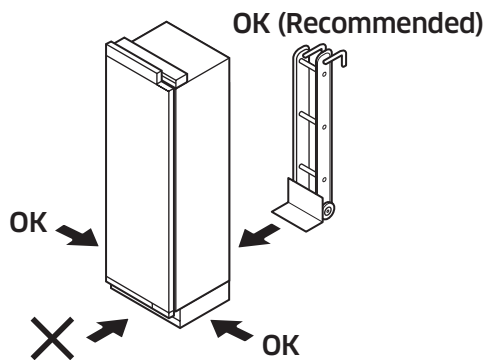
WARNING

The appliance is very heavy. When moving the refrigerator, all personnel must take care not to injure themselves or the appliance.

1. Secure the refrigerator to a suitable means of transport (preferably an appliance dolly), and move the refrigerator near its installation cabinet.
 2. Move and install with a minimum of two persons.
 3. Be very careful to avoid floor damage. Delicate flooring should be protected with plywood, hard cardboard, or similar material
 4. Before moving the refrigerator, verify that it will fit through all door openings, stairwells, and overhead obstructions.
- **TIPPING HAZARD:** The refrigerator is large, heavy, and tips easily when not secured. Always move the refrigerator in an upright position if possible. If not, move the refrigerator on its back. Secure the doors shut during transport.

WARNING

Be careful that electrical component box is not damaged when installing.



Installation instructions

3. Installation preparation

Unpack installation materials and accessories.

See the Installation preparation section on Installation Requirement chapter.

4. Attaching the anti-tip-bracket

⚠ WARNING

To keep the unit from tipping forward, an anti-tip bracket must be installed. Before attaching the bracket, ensure that no electrical wiring or plumbing is in the area where the screws will penetrate. One such bracket per appliance is required.

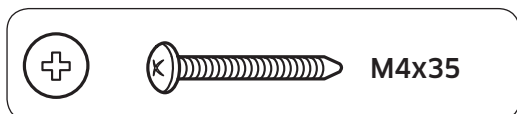
⚠ CAUTION

Always wear safety glasses and other necessary protective devices or apparel when installing or working with anchors.

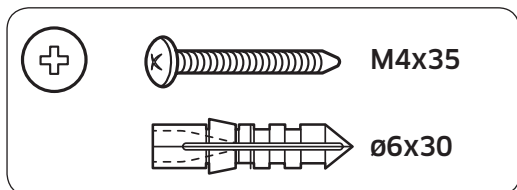
Dacor does not recommend that you anchor the anti-tip bracket in light-weight masonry (e.g., block, brick) or in new, uncured concrete.

Make sure the wall or the cabinet that the brackets are studded in has enough strength to withstand the safety load.

Wooden Wall



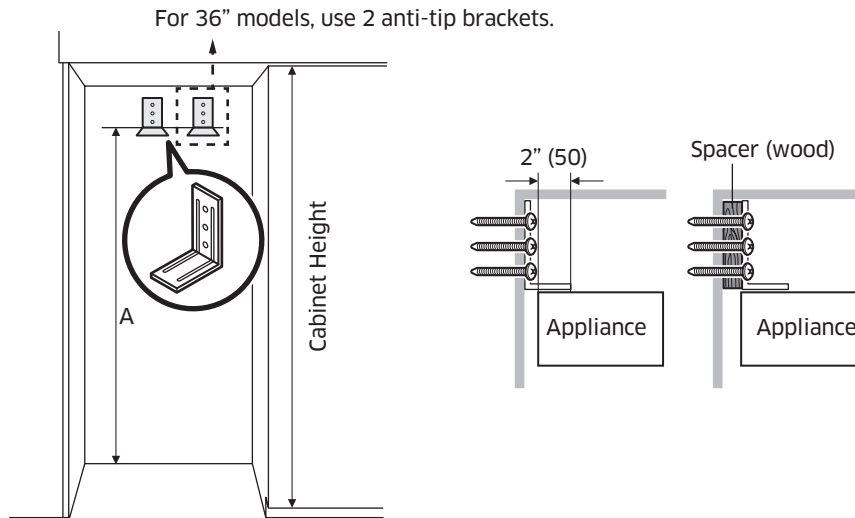
Concrete Wall



1. Bracket height is measured from the floor and depends on the cabinet height.
2. Attach the anti-tip brackets. Ensure the screws hold the bracket tightly.

The anti-tip brackets must extend at least 2" (50 mm) over the appliance to secure the appliance. If this minimum length cannot be observed for structural conditions it is possible to do this by fastening a spacer (wood) behind the anti-tip angle.

For 36" models, place 2 anti-tip brackets at intervals and fix them with 3 screws per bracket on a wooden wall, or with 3 screws and 3 holder-locks per bracket on a concrete wall. For the other models, you can use one anti-tip bracket for the intended purpose.



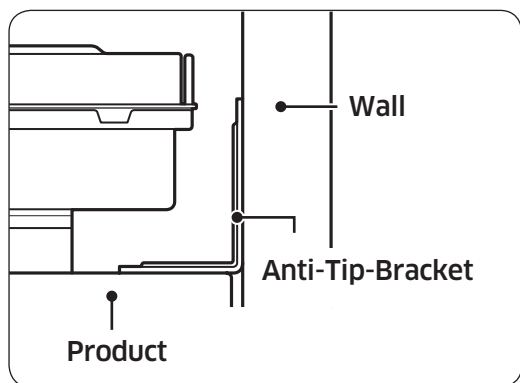
Option	Cabinet height	A
1	83 1/2" (2121 mm)	79 1/2" (2019 mm)
2	83 3/4" (2127 mm)	79 5/8" (2023 mm)
3	84" (2134 mm)	79 7/8" (2030 mm)
4	84 1/4" (2140 mm)	80 1/8" (2036 mm)

		18"	24"	30"	36"
ANTI-TIP BRACKET			1 ea		2 ea
wooden wall	M4x35		3 ea		6 ea
concrete wall	M4x35		3 ea		6 ea
	ø6x30 (HOLDER LOCK)		3 ea		6 ea

- 3 screws/holder locks per bracket.

Installation instructions

Anti-tip bracket considerations

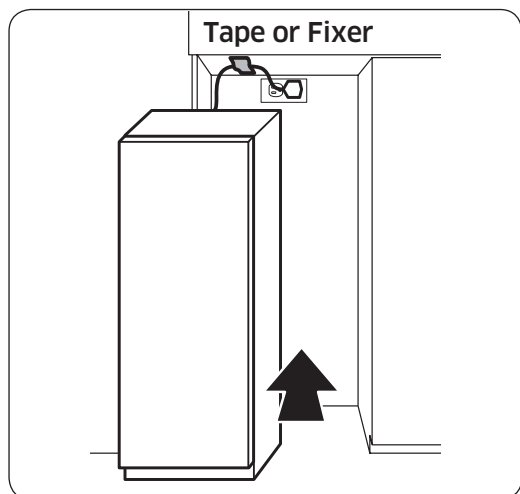


1. Bracket positioning: follow the cabinet-specific height table.
2. Screws: Tighten all 3 screws on the brackets.
3. Push the product up against the rear wall of the cabinet.
4. Spacer: If using the spacer, you must follow the positioning specifications of the bracket (see the table above).

⚠ CAUTION

- The height of the spacer must be calculated based on the depth of the cabinet.
- The spacer must be fixed separately from the cabinet.

When installing the product into the cabinet



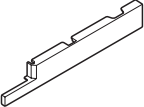

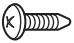
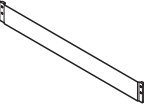

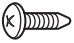
Before positioning the product in the cabinet, plug in the power cord. Then, attach the power cord near the front of the cabinet opening using tape or fixer such as clip, pin, etc.

After positioning the product inside the cabinet, make sure the power cord is positioned on the top of the product (as shown in the in the figure).

5. Removing Upper Door Cover, Kickplate

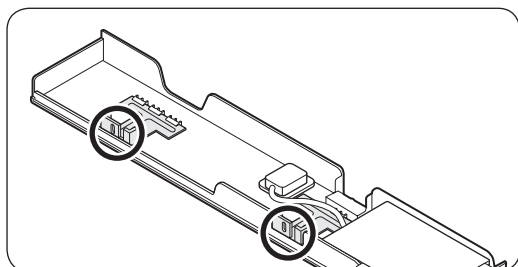
You need to remove the upper door cap and kickplate before you adjust the custom door panel.



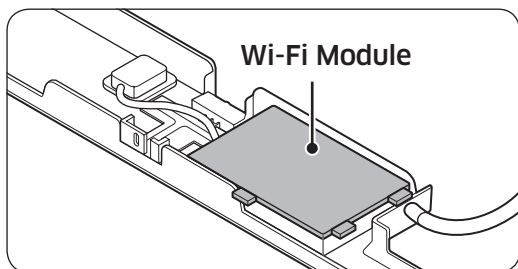
Upper Door Cover		 	M5x16	4 ea
Kickplate		 	M4x8	2 ea

Installation instructions

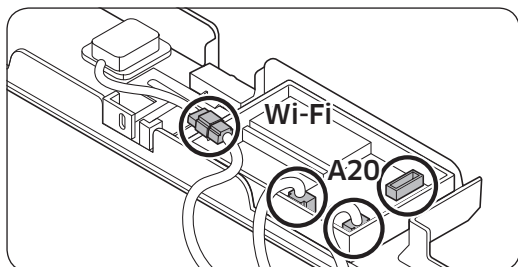
- Upper Door Cover: Loosen the screws, and remove the cover.



1. Remove the 4 screws fixing the Cap door.

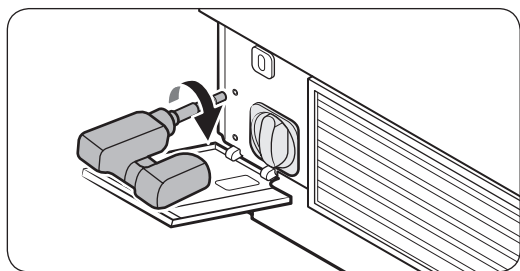


2. Remove the Wi-Fi module cover on the inside of the Cap door.

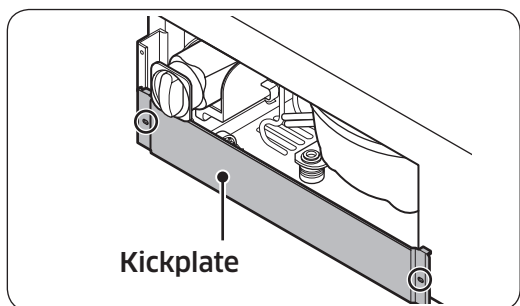


3. Disconnect housing connectors to separate Upper Door Cover.

-
- Kickplate : For side-by-side installation, remove the grill cover.
This is not applicable for standalone installation.



1. Push open the water filter cover.
Remove the screws on side and remove grill cover.

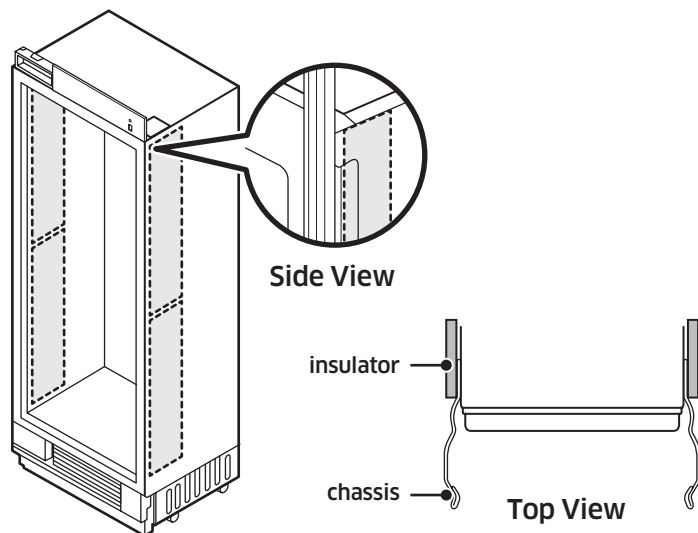


2. Remove the screws on both sides, and remove the kickplate.

Installation instructions

6. Attaching insulators on the side of the freezer or fridge

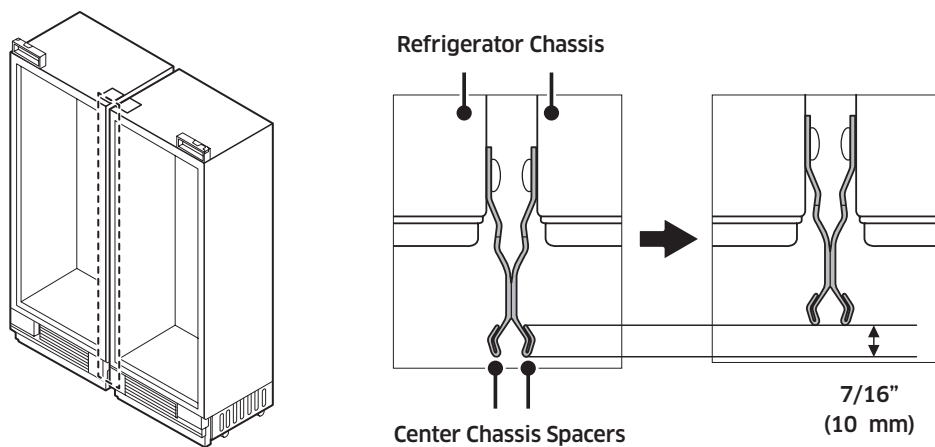
Attach 2 insulators each on both sides of the freezer or fridge as shown.
Attach the insulators with covering the screws on the side chassis.



7. Side-by-side (Pair) Installation

Repositioning the Center Chassis Spacers

1. Remove the set's center chassis spacer.
2. Re-attach the spacers $7/16$ in. (10 mm) back from their original position (see graphic below).



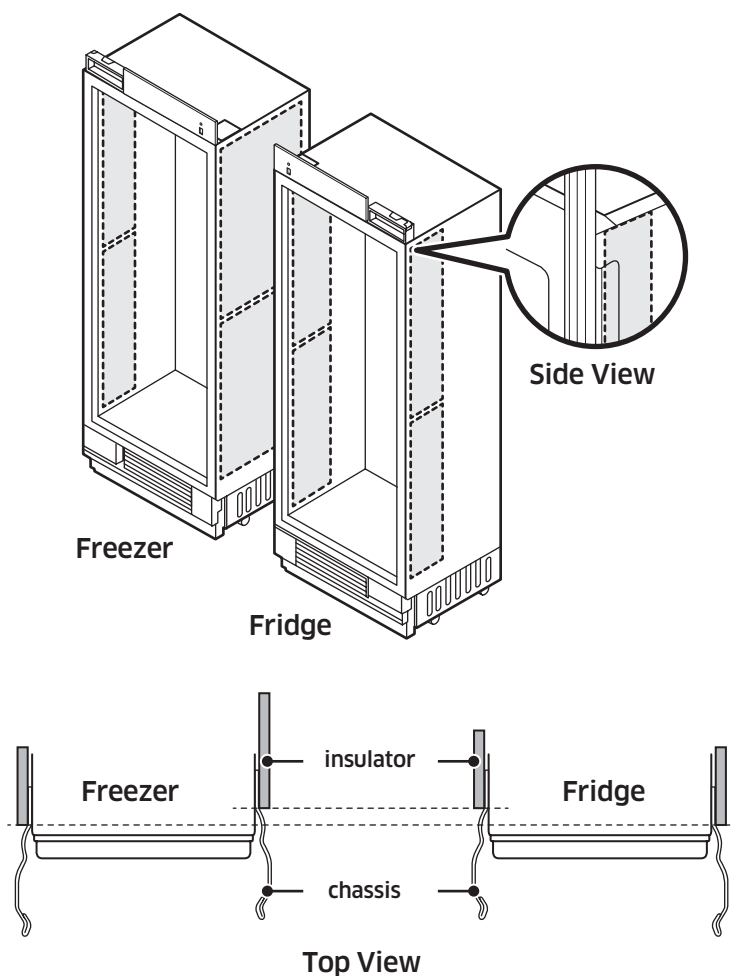
Installation instructions

Attaching an insulator

Attach an insulator on either one of the contacting surfaces.

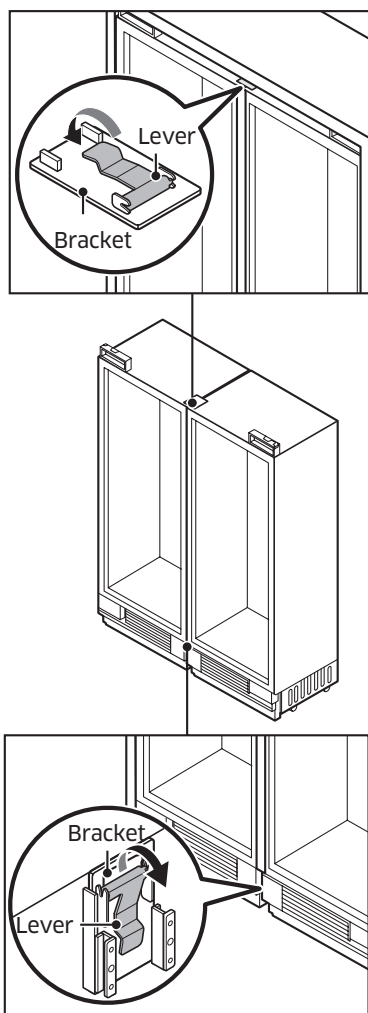
If a fridge and freezer are paired side-by-side, attach the insulator on the fridge.

1. Attach an big size insulator on either one of the contacting surfaces.
If a fridge and freezer are paired side-by-side, attach the insulator on the freezer with covering the screws on the side chassis.
2. Attach small insulators each on side of the freezer and fridge as shown with covering the screws on the side chassis.
3. Align the insulator with the end of the center chassis spacer.



Connecting the Two Chassis

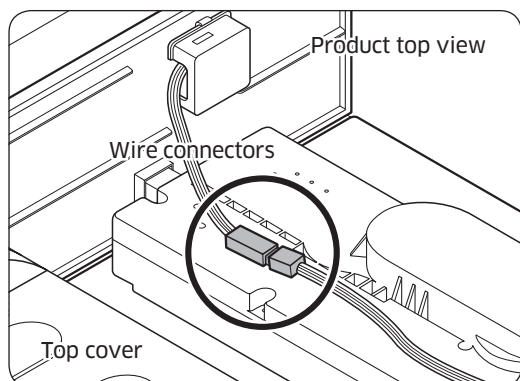
1. Making the upper connection.
 - Attach the rectangular bracket to the protruding tabs on the top of each chassis (see the graphic).
 - Attach the lever to connect the two chassis.
2. Making the lower connection.
 - Insert the bracket in the groove at the bottom of the two chassis.
 - Attach the lever to connect the two chassis.



Installation instructions

8. Attaching the Refrigerator's Top Cover

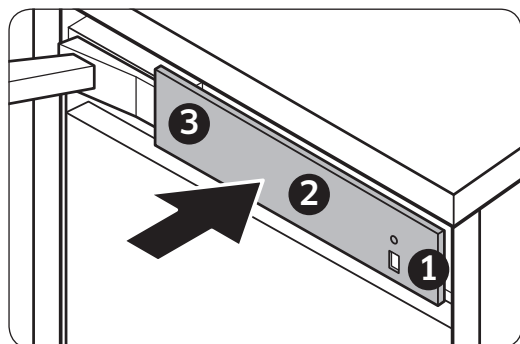
Light intensity sensor is attached to the top cover. Before attaching the top cover, first connect the light intensity sensor connector.



1. Connect the light intensity sensor connector.
Connect the wires for electric parts from around the Auto Door Open kit, and then insert the wires in the rectangular pipe.

CAUTION

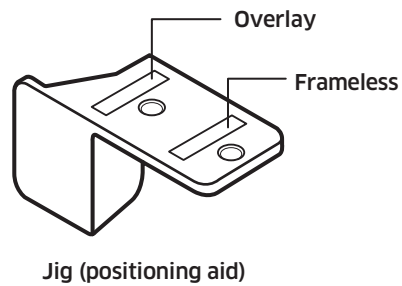
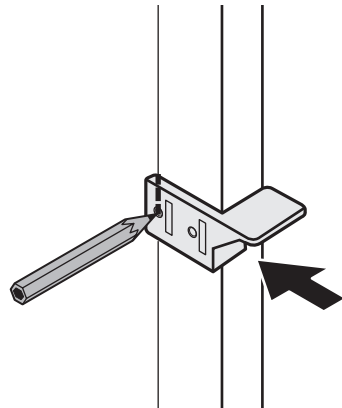
Be careful not to damage the wires.



2. To attach the top cover, fix the hooks in the order of the numbers as shown in the figure.

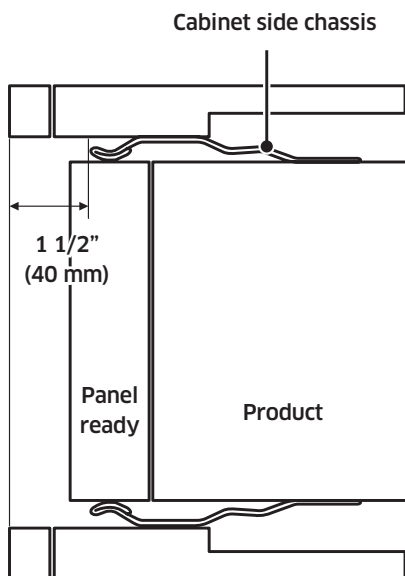
9. Moving the Refrigerator Into Its Enclosure

- According to the type of cabinet, a jig (positioning aid) can be used to align the refrigerator's custom door panel with cabinet by marking vertical line on the cabinet.



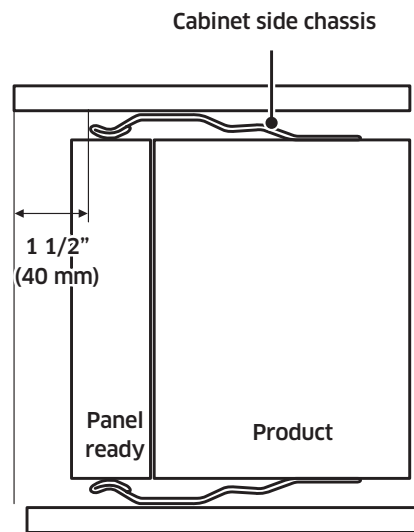
- Position the cabinet side chassis to align with your vertical line.

Overlay Type



Top view

Frameless Type



Top view

Installation instructions

CAUTION

As you push the refrigerator into its enclosure, take care not to damage the water line and power cord.

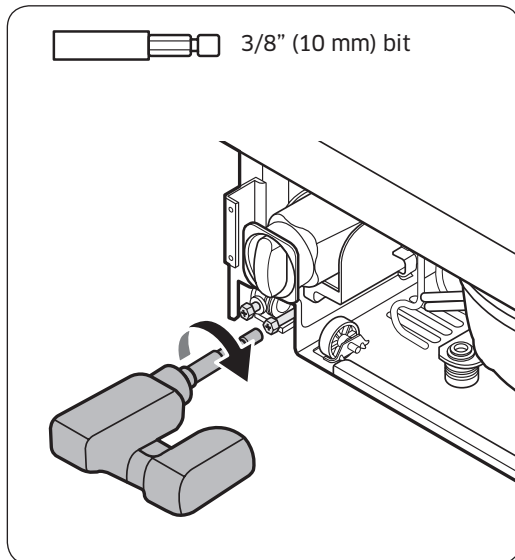
The water hose must be fixed to the ground before pulled out to the front. Also, arrange the power cord behind the appliance to ensure that it is not stepped on or over.

WARNING

While moving the refrigerator, take care not to harm assisting personnel or the refrigerator itself.

1. Before moving the refrigerator, connect the power cord.
2. Place packaging cardboard or plywood in the refrigerator's path to protect the flooring while moving the appliance.
3. Carefully push the refrigerator into its enclosure.
4. Align the forward edge of the chassis spacer with the vertical line you marked on the cabinet.

10. Leveling the Refrigerator



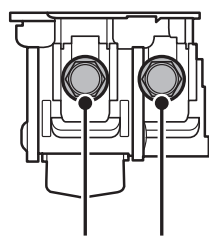
1. Using your drill and the bit shown below, engage each of the refrigerator's adjuster shafts in turn, and level the refrigerator. (CW \uparrow , CCW \downarrow)
2. Adjust the gap between the furniture and Refrigerator top cover to 1/8 in. (3 mm).

⚠ CAUTION

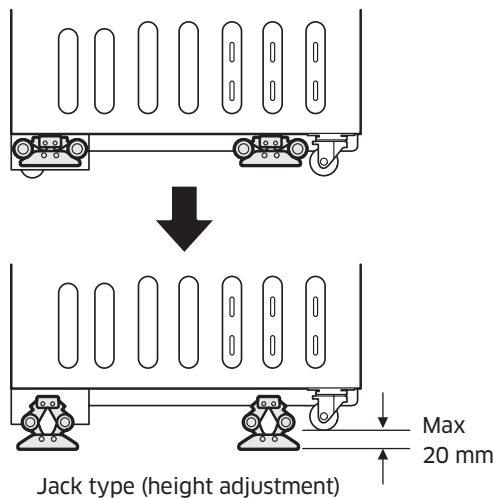
The front and rear leveling legs have a maximum height adjustment of 3/4 in. (20 mm).

If greater height is required, the installer may raise the refrigerator on a sheet of plywood or runners.

Raising the refrigerator above 3/4 in. (20 mm) will damage the front and rear leveling components.



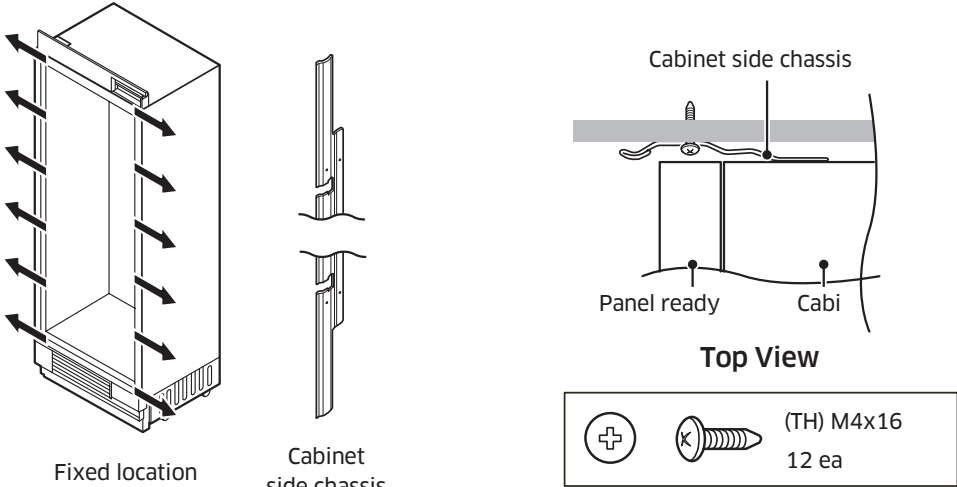
Adjustable shaft
(3/8", 10 mm)



Installation instructions

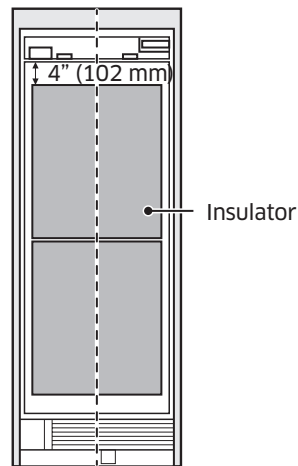
11. Securing the Refrigerator

Secure the refrigerator to its enclosure with (TH) M4x16 screws (6 screws per side, as shown in the graphic).



12. Attaching the Front-Panel Insulation

- Attach the insulation to the front of refrigerator door. (Ensure the mounting position is correct.)
1. Center the door panel and the insulation as shown in the graphic below.
 2. Attach the insulation 4 in. (102 mm) from top of the door. (See the graphic.)

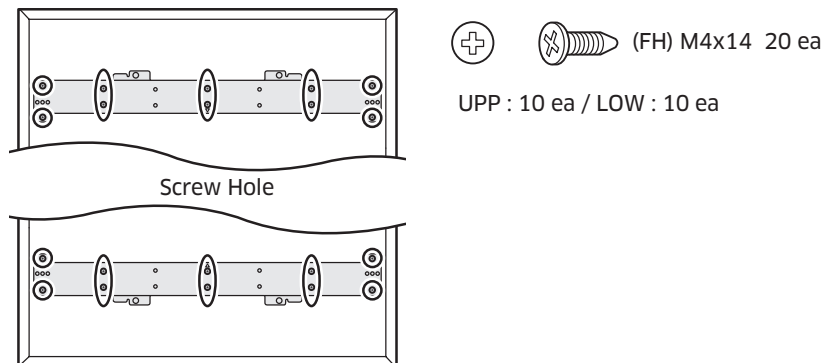


13. Attaching the Custom-Door-Panel Brackets

Attach the panel brackets to the top and bottom of the panel.

Custom Panel: STS

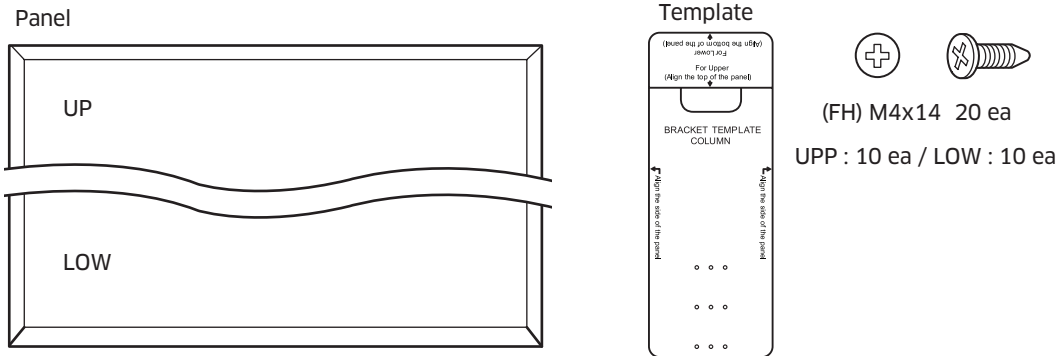
Drive 10 screws each to the top and bottom brackets as shown in the graphic. (The other holes on each side of the bracket are for a different application.)



Installation instructions

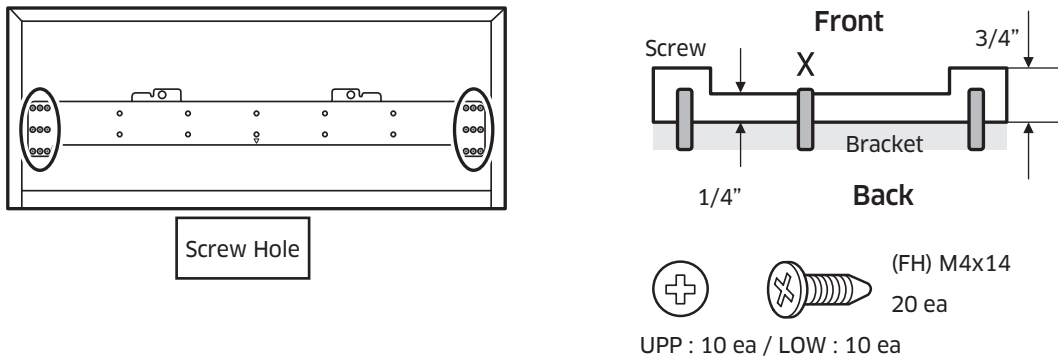
Custom Panel: Wood, Other

- The template informs you the position of the bracket and holes.
- Mark hole positions on every corner of the panel according to the template and drive the screws into the holes.



Custom Panel: Recessed Back, Other

If, by the nature of its design, the panel cannot be attached at the center of the bracket, use the whichever suitable screw holes on the sides of the bracket to attach the panel.

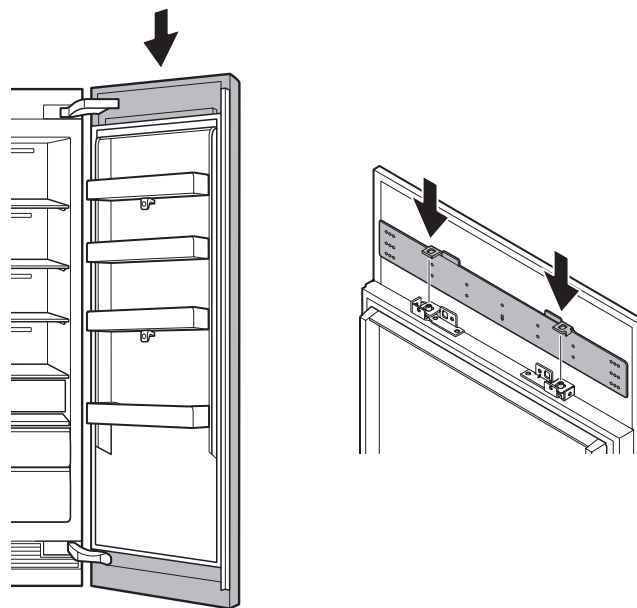


14. Hanging a Custom Panel

WARNING

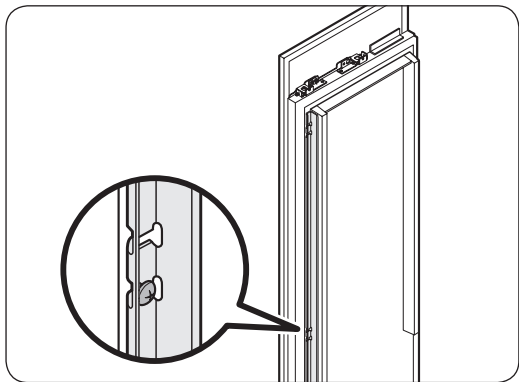
If you install a custom panel before fixing the appliance to the cabinet, the custom panel can tip over. To prevent this, you must follow the installation instructions.

- Hang the panel bracket on the height adjustment screw. (See the graphic.)



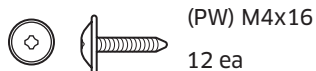
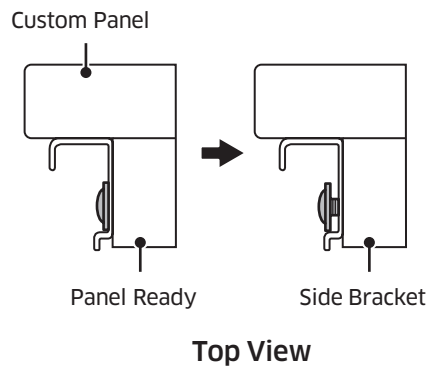
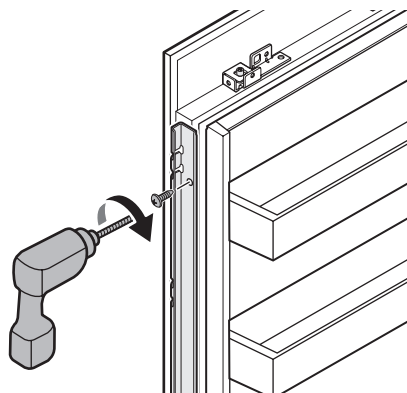
Installation instructions

15. Preparing the Panel for Adjustment



1. Fix the custom panel temporarily onto the side of the door by tightening the screw in the center of the panel.

2. Loosen—but do not remove—the six screws on the side of the door so you can adjust the custom panel vertically.

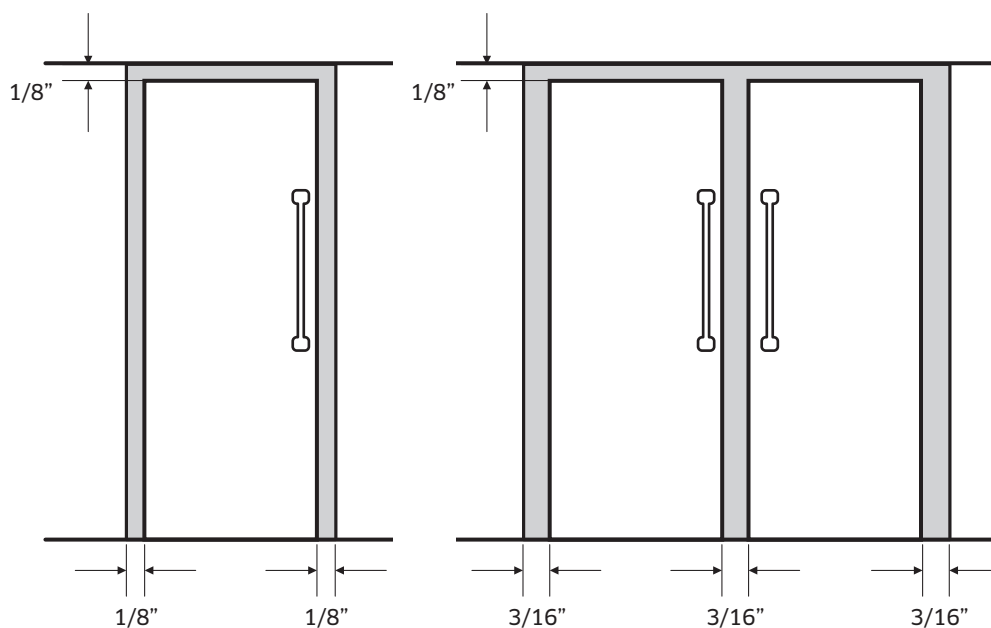


16. Aligning the Panel

There are two panel-adjustment mechanisms at the top and two at the bottom of the door. Adjust the panel so it aligns with the surrounding cabinetry.

The gap between the cabinet and the panel must be:

- 1/8" (3 mm) on top
- 1/8" (3 mm) on the side for single installation
- 3/16" (4 mm) on the side for pair installation



Top of the Door

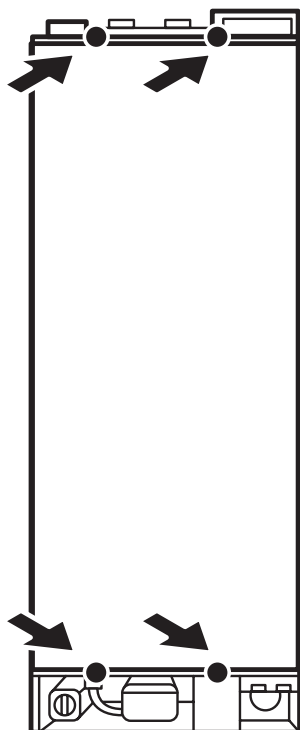
1. Use the double-threaded bolts to align the door panel.
2. Engage a side screw (see the graphic) to shift the panel side to side.
3. Engage Screw 1 (see the graphic) to shift the panel forward/backward; engage Screw 2 to set the panel in place.



Installation instructions

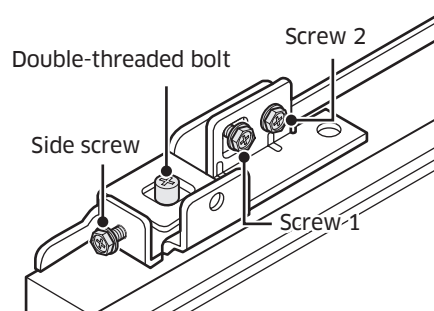
Bottom of the Door

1. Engage a side screw (see the graphic) to shift the panel side to side.
2. Engage Screw 1 (see the graphic) to shift the panel forward/backward; engage Screw 2 to set the panel in place.

● Panel-adjustment mechanisms

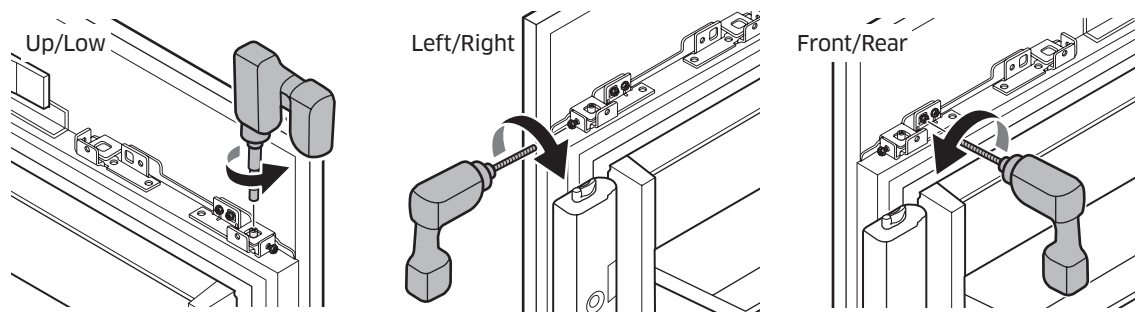


  Each 12 screws per Door
M6x12 12 ea

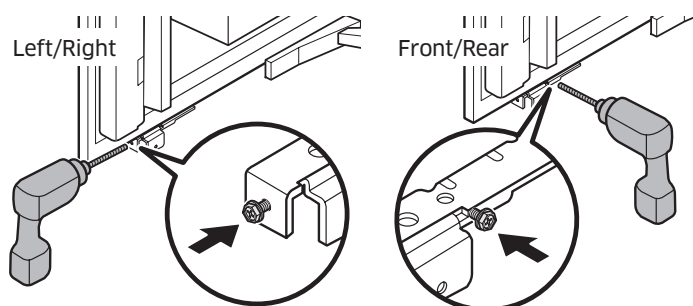


Panel-Adjustment Mechanism

Top of Door

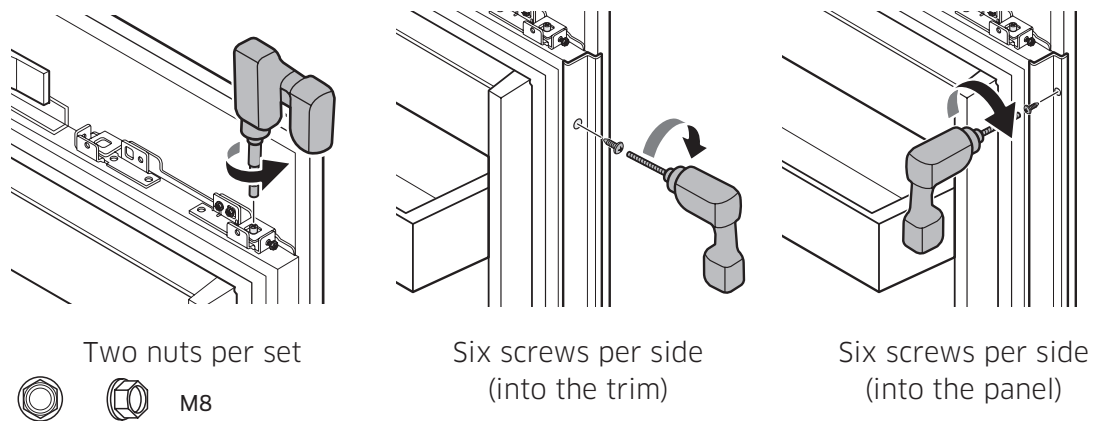


Bottom of Door



Attaching the Panel to the Door

1. Screw nuts snugly onto the double-threaded bolts.
2. Attach the panel's side trim.

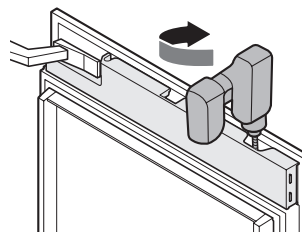
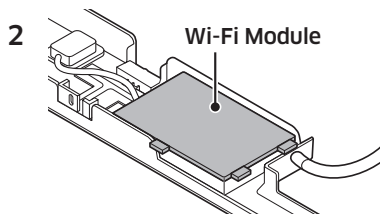
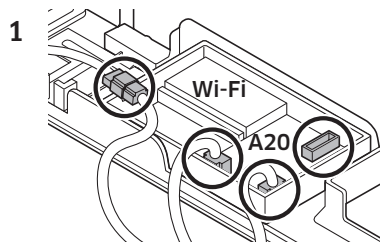


Installation instructions

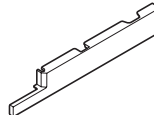
17. Attaching the Door's Interior Covers

Upper Door Cover

1. See the figures below, and mount the housing onto the door.
2. Close the Wi-Fi module cover inside the upper door cover.
3. Drive the screws from the top (4 screws per set).



Upper door cover

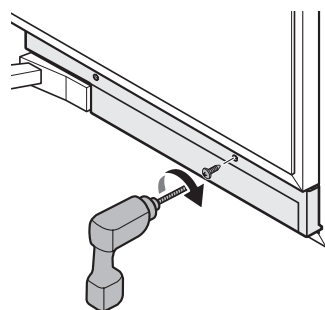
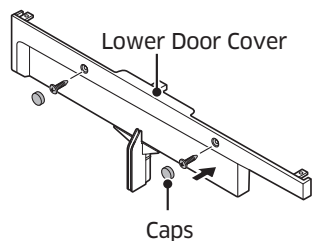


M5x16

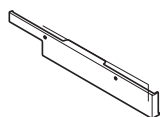
4 ea

Lower Door Cover

1. Attach the air guide to the lower door cover (2 screws per set).
2. Attach the lower door cover by driving the screws from the front (2 screws per set).
3. Attach the caps over the screw holes.



Lower Door Cover



(FH) M4x14 2 ea



Installation instructions

18. Connecting the Water Line

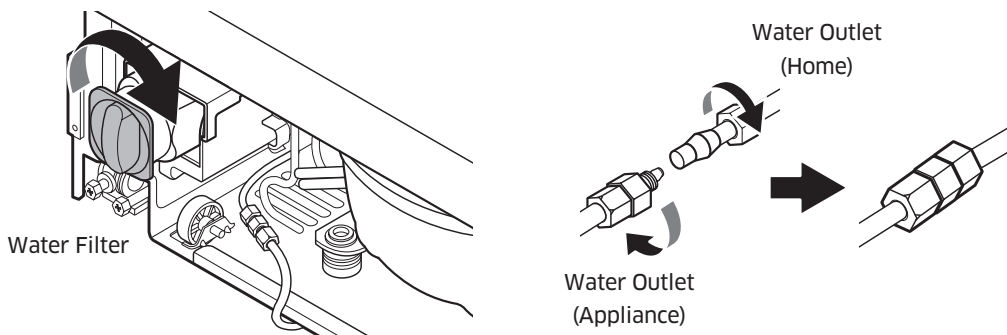
To prevent leaks and water damage, be careful not to kink the water line.

After connecting the water hose on the floor, open the water valve in the rear of the appliance and check the connection of the water supply line and make sure there is no leak.

There are several items you must purchase to complete this connection. You may find these items sold as a kit at your local hardware store.

Copper Tubing	<ul style="list-style-type: none">• 1/4" copper tubing• 1/4" compression nut (1 pc)• Ferrule (2 pc)
Plastic Tubing	<ul style="list-style-type: none">• 1/4" plastic tubing → Molded end (Bulb)• 1/4" compression nut (1 pc)

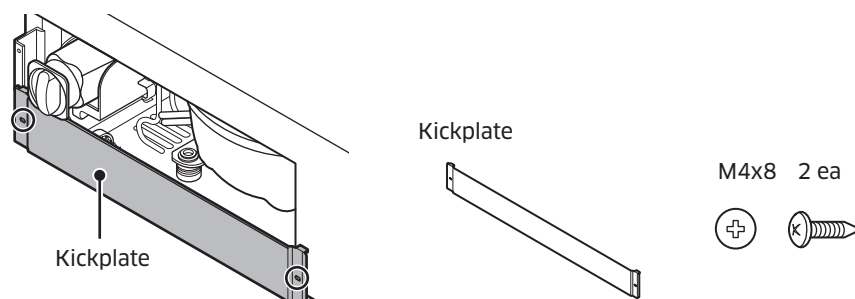
1. Remove the cap from the appliance connection.
2. Bend the water line according to the location of the connection on the appliance.
3. Slide the union nut and seal onto the water line.
4. With the open-end wrench, tighten the union nut, being careful not overtighten.
5. Open the shut-off valve and main water tap.
6. Check the connection on the shut-off valve and on the appliance for leaks.
7. Push the water line into the guard tube as far as possible.



19. Attaching kickplate and Toe kickplate (optional)

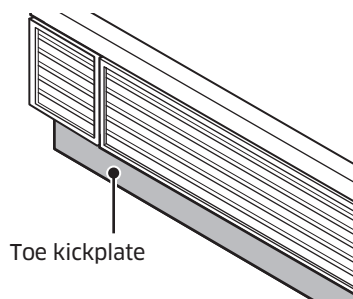
Attaching kickplate

- Drive the screws on both sides to attach the kickplate.



Attaching Toe kickplate

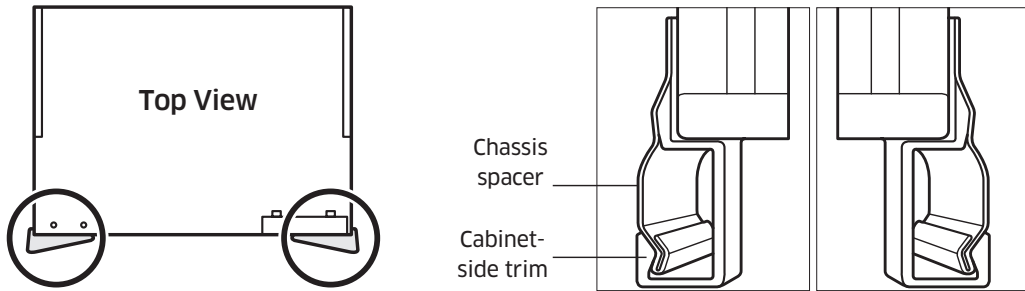
- The height of the product can be adjusted between 83 3/8" ~ 84 3/8".
- If you want to use the provided Dacor toe kickplate (4"), note that it was designed for a product height of 83 7/8" and cabinet height of 84".
- If you want to use a toe kickplate not provided by Dacor, adjust the height of the toe kickplate accordingly.



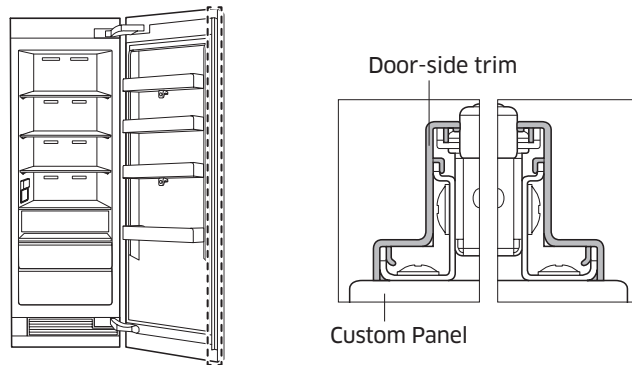
Installation instructions

20. Attaching the Refrigerator Trim

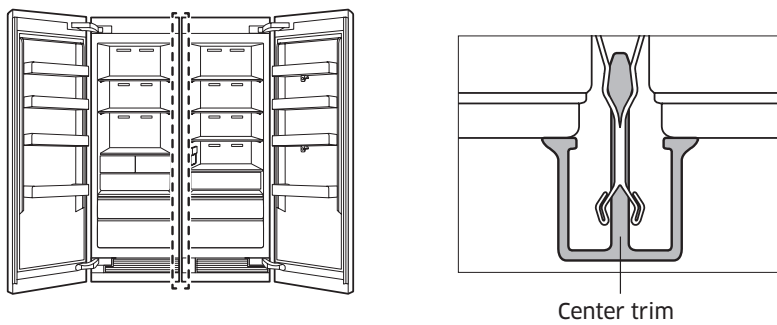
1. Cabinet-side trim: Attach the trim between the refrigerator and the cabinet.



2. Door-side trim: Attach trim to the door's side bracket.



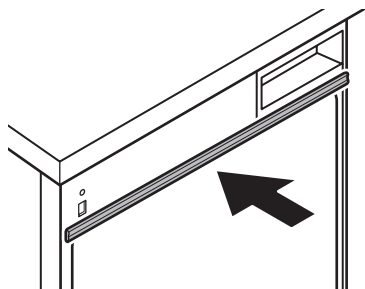
3. (Side-by-side installation only) Center trim: Attach the trim between the refrigerator chassis.



21. Attaching Trim Top Cover

Attach the Trim Top Cover on the bottom of the Top Cover.

- For pair installation, cut to fit the Trim Top Cover width and attach.



22. Removing the Interior Packaging

Unpack EPS and tape.

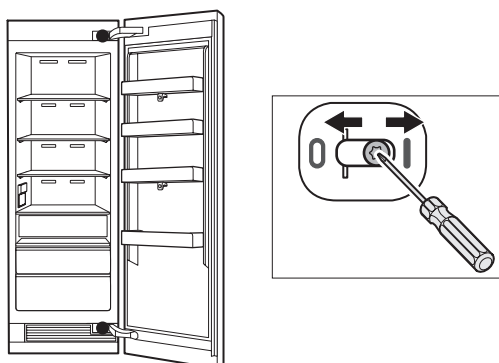
23. Adjusting the door spring

Adjust the tension of the door spring according to the product size.

With a star-head screwdriver, turn the adjusting screw.

I = maximum spring tension

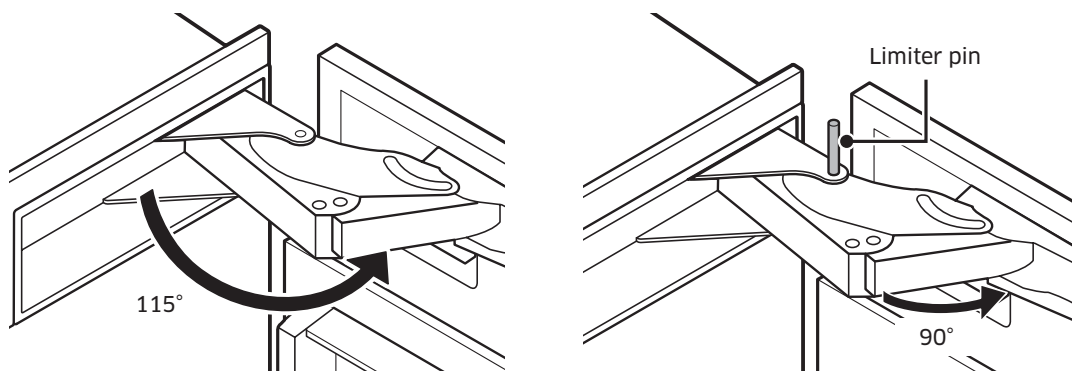
0 = no spring tension



Installation instructions

24. Adjusting the door Opening Angle

By factory default, the door opens by 115 degrees. You can use the limiter pin to adjust the opening angle down to 90 degrees, depending on the installation conditions.



25. Cleaning

Remove the protective vinyl and clean the custom panel.

26. Installation Checklist

Ensure the refrigerator functions properly and that the custom door panel aligns with the surrounding cabinetry.

WARNING

- The following checklist should be completed by the installer to ensure that the refrigerator is safely and correctly installed, functions properly, and that no part of the installation has been overlooked.
- Proper installation is the responsibility of the homeowner. **The importance of proper installation of your Dacor appliance cannot be overemphasized.**

Installation Checklist

- Has the unit been inspected for cosmetic damage?
- Has the water supply line been properly installed according to specifications and checked for leaks?
- Is the unit properly aligned with the adjacent cabinets?
- Do all doors, drawers and shelves operate smoothly, without interference?
- Has all packaging, tape, and literature been removed from inside and outside of the appliance?
- Is the power cable connected to a three-prong grounded electrical outlet that meets the electrical specifications?
- Has the unit been properly leveled?
- Has the anti-tip bracket been properly installed?
- Do all refrigerator components function properly?
- Has the warranty been activated on-line or the warranty card filled out and mailed?

Memo

Memo



DA68-03621B-02

dacor[®]

Dacor • 14425 Clark Avenue, City of Industry, CA 91745 • Phone: (800) 793-0093 • Fax: (626) 403-3130 • www.dacor.com



dacor[®]

Instrucciones de instalación

Refrigerador incorporado Modernist

DRR24/30/36*, DRZ18/24/30/36*

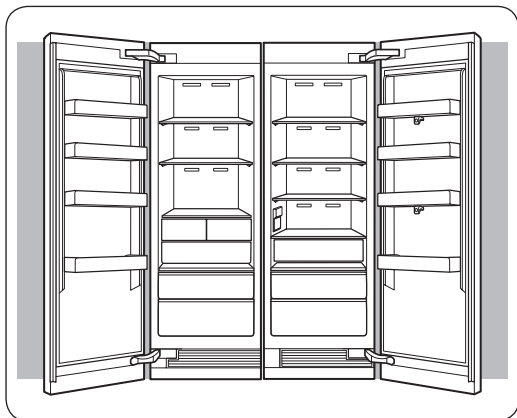
Contenido

Antes de comenzar...	4
Importante	4
Información de Atención al cliente	5
Si necesita ayuda...	5
Instrucciones importantes de seguridad	6
Advertencia sobre la State of California Proposition 65 (solo EE.UU.)	6
Precauciones generales de seguridad	7
Información de seguridad y advertencias	11
Seguridad de la instalación	11
Especificaciones de instalación	13
Opciones de instalación	14
Especificaciones del producto	15
Especificaciones del panel personalizado	16
Especificaciones de la manija	17
Instalación	18
Requisitos de instalación	19
Preparación para la instalación	19
Conexión a tierra del refrigerador	22
Requerimientos de presión de agua	23
Conexión al suministro de agua principal	24
Requerimientos especiales del gabinete	25

Instrucciones de instalación	26
1. Desembalar el refrigerador	26
2. Desplazar el refrigerador	27
3. Preparación para la instalación	28
4. Colocar el soporte antivuelco	28
5. Retirar la cubierta superior de la puerta, placa de protección	31
6. Instalar aislantes a cada lado del congelador o del refrigerador	34
7. Instalación lado a lado (Par)	35
8. Colocación de la cubierta superior del refrigerador	38
9. Colocar el refrigerador en su estructura	39
10. Nivelar del refrigerador	41
11. Ajuste del refrigerador	42
12. Ajustar el aislamiento del panel frontal	43
13. Colocar los soportes del panel personalizado de la puerta	43
14. Colgar un panel personalizado	45
15. Preparar el panel para el ajuste	46
16. Alinear el panel	47
17. Colocar las cubiertas interiores de la puerta	50
18. Conectar la tubería de agua	52
19. Colocar la placa de protección y el zócalo (opcional)	53
20. Colocar el borde del refrigerador	54
21. Instalar el borde de la cubierta superior	55
22. Retirar el empaque interno	55
23. Ajustar el resorte de la puerta	55
24. Ajuste del ángulo de apertura de la puerta	56
25. Limpieza	56
26. Lista de verificación de instalación	57

Antes de comenzar...

Importante



- El diseño general y/o los accesorios pueden diferir dependiendo del modelo.

Instalador

- A fin de promover la seguridad y minimizar problemas, lea este manual detenidamente antes de iniciar la instalación. Deje este manual al usuario.
- Escriba el modelo/número de serie del electrodoméstico en este manual para referencia en caso de servicio/mantenimiento.
- Los números de modelo/serie se encuentran en la etiqueta informativa en el compartimiento del refrigerador.

Usuario

- Conserve este manual para referencia personal y para referencia de inspectores, personal de servicio, etc.

GUARDE ESTAS INSTRUCCIONES

Información de Atención al cliente

Si necesita ayuda...

Si desea hacer alguna pregunta o tiene un problema con la instalación, comuníquese con su distribuidor de Dacor® o con el equipo de Atención al cliente de Dacor. Si su electrodoméstico Dacor se encuentra en garantía, comuníquese con Dacor Distinctive Service. Tenga el modelo/número de serie del electrodoméstico a mano al llamar. (Estos números se encuentran en la etiqueta informativa ubicada en el marco interno de la puerta derecha del refrigerador).

Dacor Distinctive Service (solo para reparaciones de electrodomésticos en garantía)

Teléfono: (800) 793-0093 int. 2822 (EE.UU. y Canadá)

Lunes a viernes de 6:00 a.m. a 4:00 p.m. Hora del Pacífico

Servicio de atención al cliente de Dacor

Teléfono: (800) 793-0093 int. 2813 (EE.UU. y Canadá)

Lunes a viernes de 6:00 a.m. a 5:00 p.m. Hora del Pacífico

Sitio web: www.dacor.com

Todas las especificaciones están sujetas a cambios sin previo aviso. Dacor no asume responsabilidad alguna por los cambios en las especificaciones.

© 2017 Dacor, todos los derechos reservados.

GUARDE ESTAS INSTRUCCIONES

Instrucciones importantes de seguridad

Las instrucciones importantes de seguridad y las advertencias que aparecen en estas instrucciones no tienen por objeto cubrir todos los posibles problemas y condiciones que puedan ocurrir.

Utilice el sentido común y tenga precaución al instalar, mantener u operar este o cualquier otro electrodoméstico.

Siempre póngase en contacto con el equipo de servicio al cliente de Dacor por cualquier problema o condiciones que no entienda. Consulte **Información de Atención al cliente**.

Etiquetas y símbolos de seguridad

Estas alertas están destinadas a llamar la atención sobre áreas importantes en el manual.

Siempre que vea estos símbolos o etiquetas, lea el mensaje atentamente antes de continuar.

PELIGRO

Riesgos inminentes que **CAUSARÁN** lesiones físicas graves o la muerte.

ADVERTENCIA

Riesgos o prácticas inseguras que **PUEDEN** causar lesiones físicas graves o la muerte.

PRECAUCIÓN

Riesgos o prácticas inseguras que **PODRÍAN** causar lesiones físicas leves o daños materiales.

Advertencia sobre la State of California Proposition 65 (solo EE.UU.)

ADVERTENCIA : Este producto contiene productos químicos reconocidos en el estado de California como capaces de provocar cáncer y defectos de nacimiento u otras afecciones reproductivas.

GUARDE ESTAS INSTRUCCIONES

ADVERTENCIA - Refrigerante R600a

Este dispositivo contiene refrigerante de isobutano, R600a, un gas natural con alta compatibilidad ambiental. Sin embargo, también es inflamable. Sírvase cumplir con las siguientes advertencias:

- Al manipular, instalar y operar el electrodoméstico, debe evitar daños a las tuberías refrigerantes.
- Las tareas de reparación deben estar a cargo del personal de servicio autorizado por el fabricante y los componentes deberán reemplazarse por repuestos autorizados por el fabricante.
- Los productos de refrigeración contienen refrigerantes, que en virtud de la legislación federal deben retirarse antes de la disposición del producto.
- Mantenga las aberturas de ventilación del gabinete o estructura incorporada del electrodoméstico libres de obstrucciones.
- Para evitar la creación de una mezcla de gas-aire inflamable en caso de una pérdida en el circuito del refrigerante, el tamaño del lugar en el que se coloca el refrigerador depende de la cantidad de refrigerante utilizado. El lugar debe tener 35.3 pies³ por cada 8 g de refrigerante R-600a en el electrodoméstico.
- La ubicación de instalación no debe estar expuesta a la luz solar directa ni cerca de ningún electrodoméstico o fuente de calor, tales como estufas, hornos u hornillas, radiadores, etc.
- Si coloca dos productos uno junto al otro, por razones de seguridad, asegúrese de utilizar productos certificados en atmósferas de gas explosivas.
- No utilice dispositivos mecánicos ni otros medios para acelerar el proceso de descongelamiento.
- No dañe el circuito del refrigerante.
- No utilice electrodomésticos eléctricos dentro del compartimiento de almacenamiento de alimentos del electrodoméstico.

Precauciones generales de seguridad

PELIGRO

IMPORTANTE:

A fin de evitar que los niños queden encerrados o se sofoquen al desechar un electrodoméstico viejo:

- Retire las puertas.
- Deje los estantes en su lugar de manera tal que los niños no puedan entrar fácilmente al electrodoméstico.
- Corte las clavijas del enchufe y descártelas.

GUARDE ESTAS INSTRUCCIONES

Instrucciones importantes de seguridad

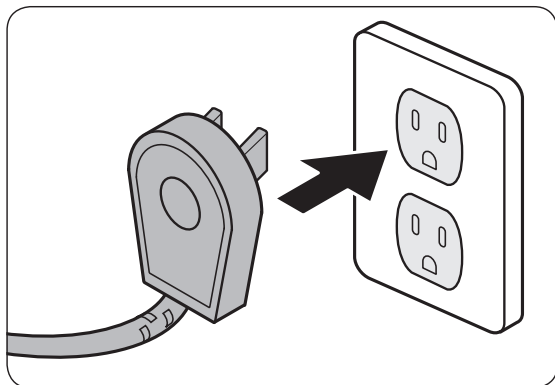
- Corte el cable de alimentación y descártelo separado del electrodoméstico viejo.

Para evitar posibles explosiones o incendios, no guarde ni utilice vapores o líquidos inflamables o explosivos (como gasolina) dentro o cerca de este o de cualquier otro electrodoméstico. También mantenga los objetos que podrían explotar, como latas de aerosol, lejós de quemadores de estufa, hornos y campanas de cocina. No almacene materiales inflamables o explosivos en gabinetes o áreas adyacentes.

ADVERTENCIA

IMPORTANTE: Este electrodoméstico está equipado con un enchufe eléctrico de tres clavijas con conexión a tierra para protección contra posibles riesgos de descarga eléctrica. Debe enchufarse en un tomacorriente dedicado y con conexión a tierra. En caso de que solo haya disponible un tomacorriente de dos clavijas, será responsabilidad del cliente reemplazarlo por un tomacorriente dedicado y conectado a tierra adecuadamente.

- No enrosque ni doble el cable de alimentación eléctrica del electrodoméstico.
- Nunca desenchufe el electrodoméstico jalando el cable de alimentación.
- Siempre sostenga el enchufe con firmeza y jale para extraerlo del tomacorriente.
- Desconecte el electrodoméstico cuando no esté en uso.
- No instale, repare, modifique ni reemplace cualquier pieza del electrodoméstico a menos que así se lo recomiende específicamente en la literatura que lo acompaña.
- Un técnico de servicio calificado debe realizar todas las demás reparaciones.



NO corte ni retire la tercera clavija (conexión a tierra) del cable de alimentación eléctrica.

NO utilice un adaptador.

NO utilice un cable de alimentación que esté pelado o dañado.

NO conecte el electrodoméstico a un alargue. Mantenga el cable de alimentación alejado de superficies calientes.

NOTA

- Utilice un tomacorriente con conexión a tierra.
- No se recomienda el uso de un tomacorriente con un interruptor de falla de conexión a tierra.

GUARDE ESTAS INSTRUCCIONES

ADVERTENCIA

Para reducir el riesgo de incendio, descarga eléctrica, lesiones graves o muerte al utilizar el electrodoméstico, siga las instrucciones básicas de seguridad, incluyendo las siguientes:

Si recibe un producto dañado, comuníquese de inmediato con su distribuidor o fabricante. No instale ni utilice un electrodoméstico dañado.

Asegúrese de que el electrodoméstico se haya instalado correctamente de acuerdo con estas instrucciones de instalación.

Asegúrese de instalar los tomacorrientes de acuerdo con la ubicación de la fuente de alimentación.

Los equipos de refrigeración y refrigerantes deben desecharse adecuadamente de manera profesional y apropiada de acuerdo con los reglamentos y la legislación local actual que protegen el medio ambiente. Esto corresponde a su viejo electrodoméstico y a su nueva unidad una vez que llega al fin de su vida útil. NO deseche el electrodoméstico en un relleno sanitario ni con desechos urbanos. Comuníquese con los centros de disposición de desechos locales para obtener información acerca de cómo desechar los residuos reciclables.

Tenga cuidado al manipular, mover, utilizar o desechar el electrodoméstico a fin de evitar daños al sistema de refrigeración.

No lo instale en exteriores ni en situaciones de humedad. Este electrodoméstico no ha sido diseñado para su instalación en vehículos recreativos ni embarcaciones.

Mantenga los materiales de embalaje alejados de los niños. Las láminas y bolsas plásticas pueden provocar asfixia.

Conecte el electrodoméstico a un circuito de 115 V, 15 A. controlado por un disyuntor o fusible. El electrodoméstico debe tener su propio circuito con conexión a tierra.

No enrosque ni doble el cable de alimentación eléctrica del electrodoméstico. Nunca desenchufe el electrodoméstico jalando el cable de alimentación. Siempre sostenga el enchufe con firmeza y jale para extraerlo del tomacorriente.

Desconecte el electrodoméstico cuando no esté en uso.

No instale, repare, modifique ni reemplace cualquier pieza del electrodoméstico a menos que así se lo recomiende específicamente en la literatura que lo acompaña. Un técnico de servicio calificado debe realizar todas las demás reparaciones.

Antes de realizar cualquier tipo de reparación, corte el suministro eléctrico en el panel del disyuntor.

GUARDE ESTAS INSTRUCCIONES

Instrucciones importantes de seguridad

Este electrodoméstico no debe ser utilizado por personas (incluido niños) con capacidades físicas o sensoriales reducidas, o por personas que carezcan de experiencia y conocimientos, a menos que se encuentren bajo la supervisión adecuada de un responsable de su seguridad. Los niños deben estar supervisados, por su seguridad.

No permita que nadie, incluso niños, se sienta, pare o trepe sobre cualquier parte del electrodoméstico, incluso la puerta. Hacerlo puede provocar daños, lesiones graves o la muerte.

Si el cable de alimentación está dañado, debe ser reemplazado por el fabricante o por un técnico de reparación calificado a fin de evitar riesgos de seguridad. No utilice los controles en forma indebida.

Limpie el electrodoméstico regularmente como se indica en la sección Cuidado y limpieza del Manual del usuario. Limpie el balde o cajón de hielo regularmente.

Cuando el congelador esté funcionando, no toque las superficies internas de acero inoxidable con las manos mojadas o húmedas, dado que la piel puede adherirse a las superficies muy frías.

No utilice ningún tipo de equipo eléctrico dentro de los compartimientos del refrigerador o congelador.

No obstruya ninguna de las ventilaciones o aberturas del electrodoméstico.

A fin de evitar el riesgo de que el electrodoméstico caiga de costado es obligatorio sujetarlo mediante los dos soportes antivuelco provistos.

Utilice el electrodoméstico únicamente con el fin para el que ha sido diseñado: el almacenamiento de alimentos y bebidas. No ha sido diseñado para el uso comercial o industrial.

Al realizar la instalación tenga cuidado de que la caja de componentes eléctricos no esté dañada por la desviación de la descarga.

Abra y sostenga la manija al abrir y cerrar la puerta.

Al abrir y cerrar la puerta, tenga cuidado de no poner las manos en la entrada.

GUARDE ESTAS INSTRUCCIONES

Información de seguridad y advertencias

Seguridad de la instalación

Seguridad de la instalación y la ubicación

ADVERTENCIA

- Antes de instalar el refrigerador, conéctelo a un tomacorriente y enciéndalo para asegurarse de que funcione.
- Elija un lugar alejado del calor de calentadores, calderas o la luz solar directa.
- Instale la unidad donde el aire fluya libremente y donde el refrigerador esté bien ventilado.
- Instale la unidad de modo que el aire fluya sin obstrucciones a través de la parrilla delantera. Si no se asegura la circulación del aire, esto puede interferir con el funcionamiento normal del producto.
- Ciertos animales (roedores) pueden masticar el cable de alimentación y provocar un incendio; por lo tanto, instale la unidad en un lugar donde los animales no puedan acceder.
- Si el gabinete está hecho de material blando (por ejemplo, yeso, etc.), puede tener una estructura débil y dañarse. Por lo tanto, utilice un gabinete de material robusto y resistente.
- Instale el refrigerador con un equipo de al menos 2 personas.
- Consulte las dimensiones del gabinete y prepárelo con buena circulación de aire.
- Utilice un gabinete que no se deforme debido a las emisiones de calor del producto o a la humedad por la apertura y cierre del refrigerador.

NOTA

Este es un refrigerador de estilo “incorporado”, lo que significa que debe ser instalado dentro de un hueco en gabinetes de cocina existentes.

Antes de mover el refrigerador, despeje el camino hasta el lugar donde se instalará.

Verifique todas las dimensiones del producto y el radio de inclinación con cualquier puerta, pasillo, escalera, esquina, etc., para asegurar un paso sin obstrucciones.

ADVERTENCIA



Peligro de caída

Este electrodoméstico es relativamente pesado en su parte superior y tiende a caerse cuando no se instala en forma segura.

Mantenga las puertas cerradas con cinta adhesiva hasta que el refrigerador esté en su posición final y listo para ser asegurado en su lugar.

Hacen falta dos o más personas para trasladar e instalar el refrigerador.

De lo contrario, podría sufrir lesiones graves o incluso la muerte.

Información de seguridad y advertencias

 **PELIGRO**



Riesgo de explosión

Mantenga los materiales y vapores inflamables, como la gasolina, lejos del refrigerador.

No hacerlo puede provocar la muerte, una explosión o un incendio.

Especificaciones de instalación

ADVERTENCIA

Respete todos los códigos y ordenanzas durante la planificación e instalación. Comuníquese con el departamento de mantenimiento de edificios local para obtener más información.

ADVERTENCIA

Las conexiones eléctricas y de descarga a tierra deben cumplir con las partes pertinentes del código eléctrico nacional y/u otros códigos eléctricos.

Este electrodoméstico incluye un cable de alimentación con un enchufe con conexión a tierra de tres clavijas para una fuente de alimentación eléctrica de 115 Vac, 15 Amp. Enchúfelo únicamente en un tomacorriente de tres clavijas, con conexión a tierra y de 115 Vac.

A menos que haya instalado un **sistema de filtración** en toda la casa, el cartucho de agua provisto debe instalarse de acuerdo con el Manual del usuario.

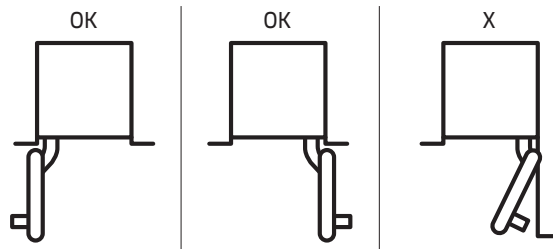
APAGUE la **fábrica de hielo** mediante la tecla **ICE (Hielo)** siempre que la válvula de suministro de agua esté cerrada. La tecla **ICE (Hielo)** se enciende cuando la fábrica de hielo está encendida.

El electrodoméstico está equipado con un sistema de iluminación con lámparas LED de alta intensidad. No mire fijo dichas lámparas cuando estén encendidas a fin de evitar daños a su visión.

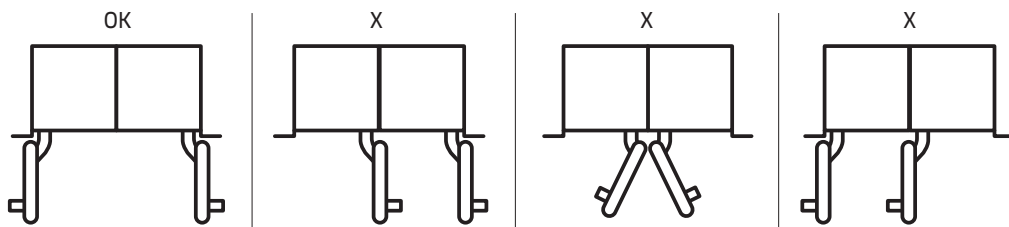
Opciones de instalación

Existen diversas opciones de instalación.
Están limitadas únicamente por el diseño de la cocina.

Electrodoméstico individual

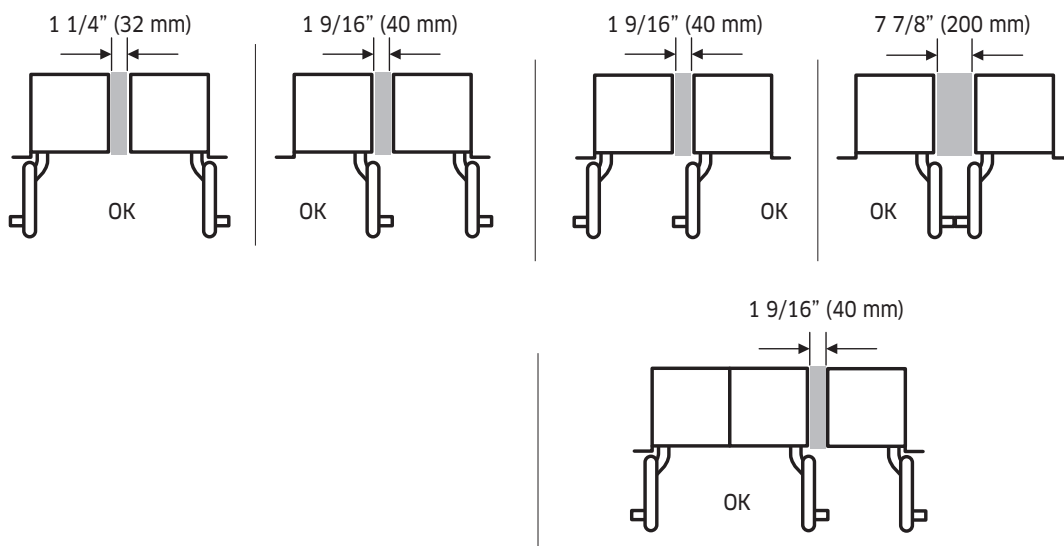


Lado a lado (Par)

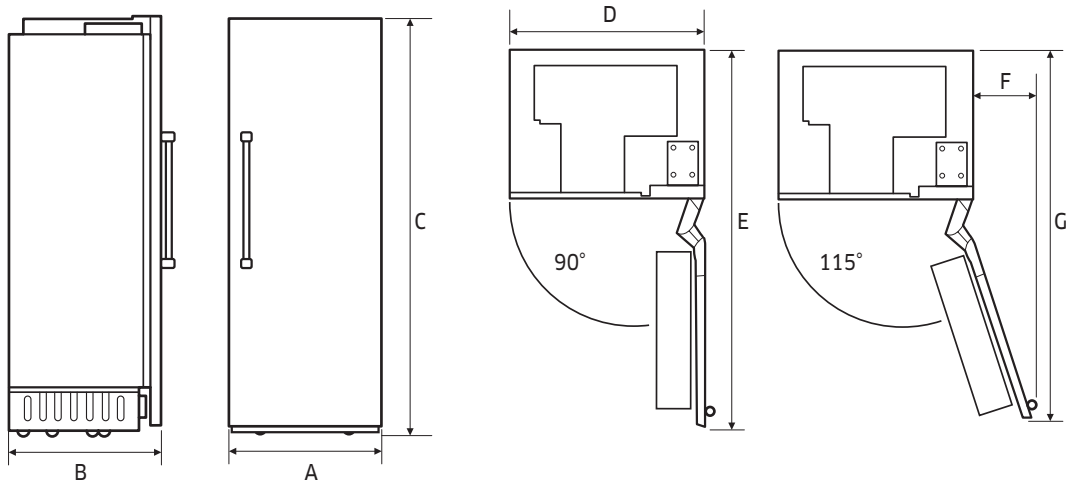


Electrodomésticos individuales con partición

Grosor mínimo de la partición 5/8" (16 mm)



Especificaciones del producto



Leyenda	18"	24"	30"	36"
A	17 3/4" (451 mm)	23 3/4" (603 mm)	29 3/4" (756 mm)	35 3/4" (908 mm)
B	25" (635 mm)			
C	83 3/8" (2118 mm)			
D	17 5/8" (447 mm)	23 5/8" (600 mm)	29 5/8" (752 mm)	35 5/8" (905 mm)
E	44 3/4" (1136 mm)	50 3/4" (1289 mm)	56 11/16" (1440 mm)	62 7/8" (1597 mm)
F	11 13/16" (275 mm)	13 11/16" (348 mm)	16 9/16" (421 mm)	20 9/16" (496 mm)
G	43 7/8" (1114 mm)	49 11/16" (1261 mm)	55 5/16" (1404 mm)	61 5/16" (1556 mm)

Especificaciones del producto

Especificaciones del panel personalizado

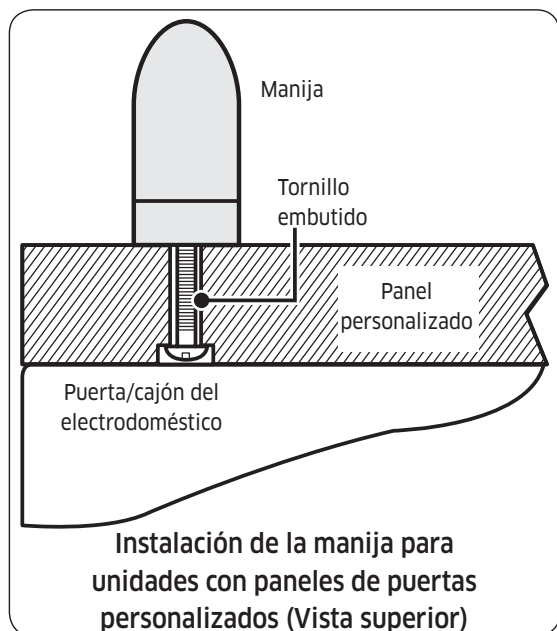
No supere la carga máxima que el panel personalizado puede soportar. Antes de confeccionar el panel, verifique la solidez del material del panel y la carga de los accesorios del panel.

	18"	24"	30"	36"
Panel personalizado Peso máximo (incluye la manija)	132 lb (60 kg)	110 lb (50 kg)	88 lb (40 kg)	66 lb (30 kg)

NOTA

- Panel personalizado Peso máximo (incluye la manija) = Carga límite de bisagra (242 lb) – Peso de puerta y carga.
- El grosor del panel personalizado es de $\frac{3}{4}$ " (19 mm).

Especificaciones de la manija



Antes de instalar los paneles personalizados, debe instalar las manijas de la puerta/cajón. Los modelos con paneles personalizados, cuentan con la ventaja de poder seleccionar un estilo de manija de acuerdo con su gusto personal. Las manijas no se proveen con los modelos para paneles personalizados. Hay kits de manijas selectos disponibles a través de su distribuidor Dacor. Dacor no recomienda el uso de tiradores.

La mayoría de los kits de manijas no incluyen los tornillos de montaje necesarios dado que la longitud varía de acuerdo con el grosor del panel.

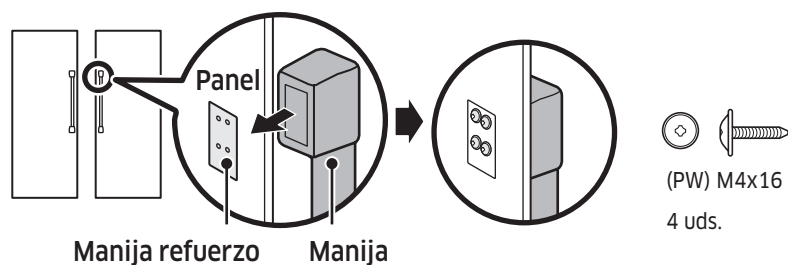
El fabricante del panel debe seleccionar y comprar los tornillos necesarios para la instalación. Las cabezas de los tornillos deben embutirse en el panel a fin de evitar interferencias durante el ajuste.

Instalación de la manija provista por Dacor

⚠ ADVERTENCIA

Siga estas instrucciones para instalar la manija provista por Dacor. De lo contrario, la manija puede dañarse o funcionar inadecuadamente.

1. Coloque el soporte reforzado de la manija en la parte trasera del panel de la puerta y luego coloque la manija en la parte delantera del panel de la puerta.
2. Fije los 4 tornillos en los lados superior e inferior de la manija, tal como se muestra. No los apriete excesivamente.



Instalación

ADVERTENCIA

No instale el electrodoméstico:

- en exteriores,
- en un ambiente con caída de agua.

El electrodoméstico es muy pesado:

Refrigerador de 24" aprox. 377 lb / 171 kg

Refrigerador de 30" aprox. 472 lb / 214 kg

Refrigerador de 36" aprox. 567 lb / 257 kg

Congelador de 18" aprox. 289 lb / 131 kg

Congelador de 24" aprox. 386 lb / 175 kg

Congelador de 30" aprox. 483 lb / 219 kg

Congelador de 36" aprox. 580 lb / 263 kg

Sala de instalación

El electrodoméstico debe instalarse en una habitación seca y ventilada.

Instalación segura

El electrodoméstico es muy pesado y tiende a caer hacia adelante cuando la puerta está abierta.

No abra la puerta hasta que no haya ninguna posibilidad de que el electrodoméstico se caiga.

La manera más segura de instalar el electrodoméstico es utilizar los dispositivos antivuelco provistos.

Piso

La superficie inferior debe estar nivelada y uniforme a fin de garantizar que el electrodoméstico esté instalado en forma segura y funcione correctamente.

La superficie inferior debe estar hecha de un material duro, no flexible para cubrir el peso del electrodoméstico.

Alinear el electrodoméstico

A fin de garantizar que el electrodoméstico funcione correctamente, debe estar nivelado adecuadamente.

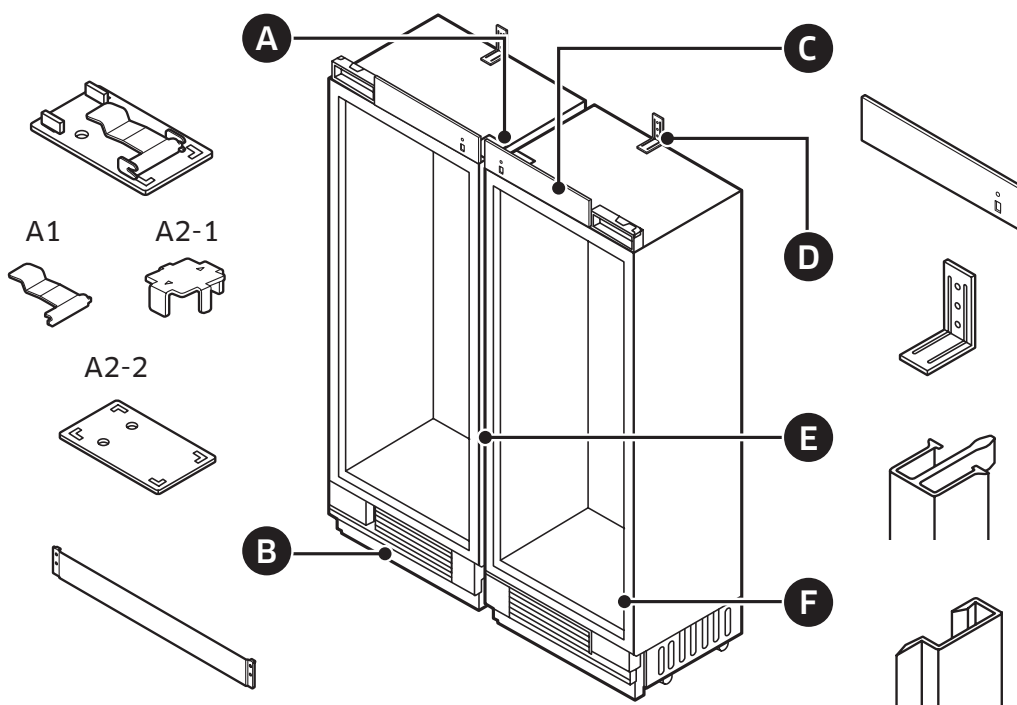
Si el electrodoméstico no está nivelado, puede caer agua de la fábrica de hielo, los cubos de hielo pueden ser irregulares y es posible que las puertas no cierren correctamente.

Requisitos de instalación

Preparación para la instalación

Piezas de instalación del gabinete

Utilizando la tabla que aparece en la siguiente página, verifique que todas las piezas de instalación estén presentes al desembalar el electrodoméstico.



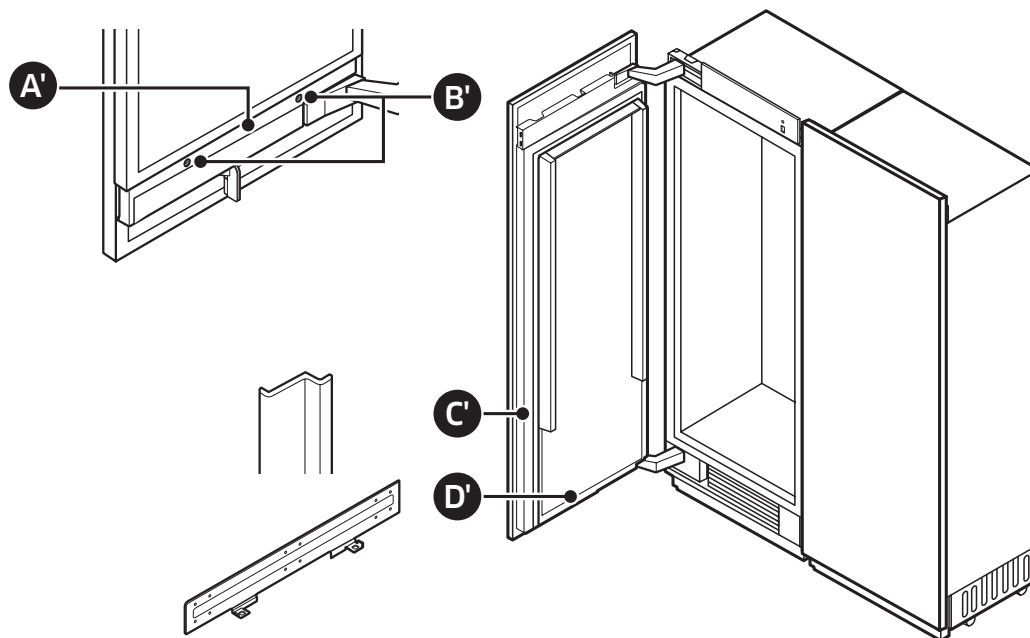
Controle las piezas de instalación al desembalar el electrodoméstico.

PIEZAS		ÚNICA-INSTALACIÓN	PAR-INSTALACIÓN	
A	A1	PALANCA	-	2
	A2-1	PLACA INFERIOR	-	1
	A2-2	PLACA SUPERIOR	-	1
B	PLACA DE PROTECCIÓN	1	2	
C	Cubierta superior del refrigerador	1	2	
D	SOPORTE ANTIVUELCO	18", 24", 30" : 1 36" : 2	18", 24", 30" : 2 36" : 4	
E	BORDE CENTRAL	-	1	
F	BORDE LATERAL DEL GABINETE	2	2	

Requisitos de instalación

Piezas de instalación de la puerta






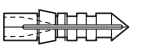
Utilizando la tabla que aparece a continuación, verifique que todas las piezas de instalación de la puerta estén presentes al desembalar el electrodoméstico.





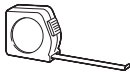


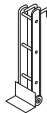
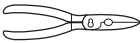
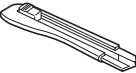


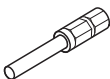
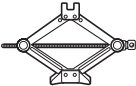
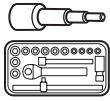

Controle las piezas de instalación al desembalar el electrodoméstico.

PIEZAS		ÚNICA-INSTALACIÓN	PAR-INSTALACIÓN
A'	TAPA INFERIOR DE LA PUERTA	1	2
B'	TAPA	2	4
C'	BORDE LATERAL DE LA PUERTA	2	4
D'	SOPORTE DEL PANEL	2	4

Tornillo y tuerca

	M6x12	12 uds.		(FH) M4x14	22 uds.
	(TH) M4x16	24 uds.		M4x35	3 uds. (36": 6 uds.)
	M8	2 uds.		ø6x30	3 uds. (36": 6 uds.)

Herramientas necesarias

NO	Herramienta	NO	Herramienta
1	 Destornillador eléctrico	8	 Alfombra protectora
2	 Cinta métrica	9	 Escalera de tijera
3	 Destornillador plano	10	 Plataforma móvil para el electrodoméstico
4	 Cortador (Tijera)	11	 Cutter
5	 Llave ajustable	12	 Nivel
6	 Destornillador Phillips	13	 Gato
7	 Trinquete 3/8" (10 mm), 1/2" (13 mm)	14	 Llave combinada 3/8" (10 mm), 1/2" (13 mm)

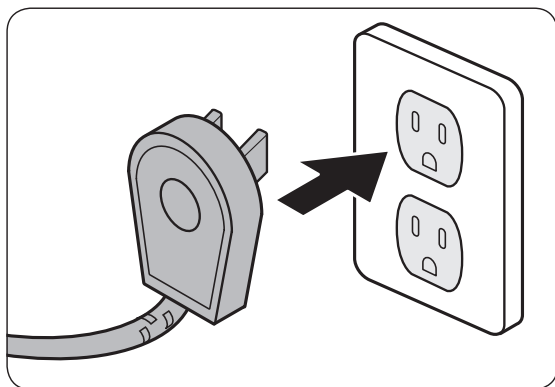
Requisitos de instalación

Conexión a tierra del refrigerador

⚠ PRECAUCIÓN

Las conexiones eléctricas y de descarga a tierra deben cumplir con las partes pertinentes del código eléctrico nacional y/u otros códigos eléctricos.

Este electrodoméstico incluye un cable de alimentación con un enchufe con conexión a tierra de tres clavijas para una fuente de alimentación eléctrica de 115 Vac, 15 Amp. Enchúfelo únicamente en un tomacorriente de tres clavijas, con conexión a tierra y de 115 Vac.



BAJO NINGUNA CIRCUNSTANCIA CORTE O quite la TERCERA CLAVIJA (CONEXIÓN A TIERRA) DEL CABLE DE ALIMENTACIÓN. NO UTILICE UN ENCHUFE ADAPTADOR PARA CONECTAR EL REFRIGERADOR A UN TOMACORRIENTE DE 2 CLAVIJAS. NO UTILICE UN CABLE PROLONGADOR CON ESTE ELECTRODOMÉSTICO.

⚠ ADVERTENCIA



Riesgo de descarga eléctrica

Enchufe a un tomacorriente de 3 clavijas exclusivo, conectado a tierra.

No retire la clavija de conexión a tierra.

No utilice un adaptador.

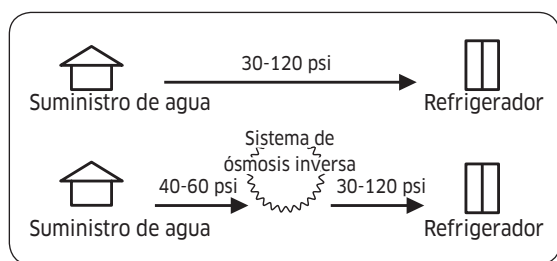
No utilice un cable prolongador.

No seguir estas instrucciones puede provocar la muerte, un incendio o una descarga eléctrica.

Requerimientos de presión de agua

Se requiere un suministro de agua fría con presión entre 30 y 120 psi (207 y 827 kPa) para hacer funcionar el dispensador de agua y la fábrica de hielo.

Si tiene dudas sobre la presión del agua, llame a un instalador calificado autorizado.



Sistema de ósmosis inversa en el suministro de agua

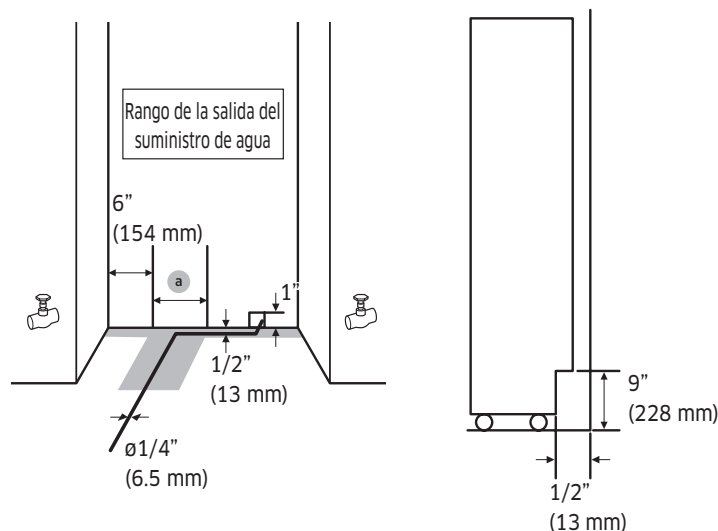
IMPORTANTE: La presión del suministro de agua que sale del sistema por ósmosis inversa y va a la válvula de entrada de agua del refrigerador debe estar entre 30 y 120 psi (207 y 827 kPa).

La presión de agua desde el suministro de agua fría al sistema de ósmosis inversa debe ser de 40 a 60 psi (276 a 414 kPa) como mínimo.

Requisitos de instalación

Conexión al suministro de agua principal

Antes de conectar la tubería de agua del refrigerador al suministro de agua de la casa debe familiarizarse con el diseño de las tuberías de la casa.

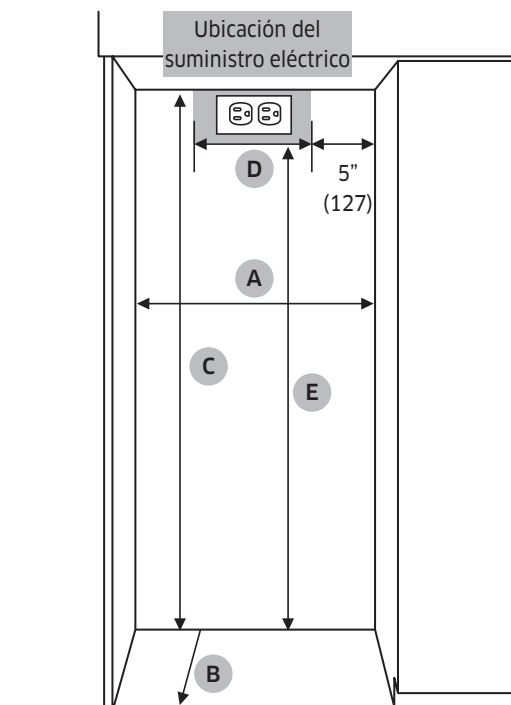


Leyenda	18"	24"	30"	36"
a	3" (76 mm)	5 1/2" (140 mm)	6" (154 mm)	9" (228 mm)

1. Decida la mejor manera de utilizar el diseño de las tuberías. Luego
2. Acceda al conducto principal de agua siguiendo estos requisitos:
 - El instalador debe proporcionar el conducto de agua de 1/4 pulgadas (6.5 mm) y todos los accesorios.
 - El conducto de agua debe ser lo suficientemente largo como para permitir el traslado del refrigerador para la limpieza y el mantenimiento del piso, sin necesidad de desconectar primero el conducto.
 - Todas las nuevas instalaciones deben cumplir con los requisitos del código de plomería local.
 - El cierre de agua debe colocarse en el gabinete de la base en cualquiera de los laterales del refrigerador o en alguna otra zona de fácil acceso.
 - Si la válvula de cierre de agua se coloca en la pared trasera detrás del refrigerador, debe quedar en un ángulo que impida que el conducto de agua se doble cuando el refrigerador sea empujado a su posición final.
 - Asegúrese de que la tubería de suministro de agua esté dentro del rango que se muestra en las ilustraciones de 1".

- La manguera de agua está ubicada a 1/2" de la pared posterior, y se retira hacia adelante a lo largo de la zona gris de la figura anterior. La manguera de agua debe estar adherida al piso.

Requerimientos especiales del gabinete



- A : Ancho del gabinete
- B : Profundidad del gabinete
- C : Altura del gabinete
- D : Ubicación del suministro eléctrico, ancho
- E : Ubicación del suministro eléctrico, alto

Leyenda	18"	24"	30"	36"
A	18" (457 mm)	24" (610 mm)	30" (762 mm)	36" (915 mm)
B	25" (635 mm)	25" (635 mm)	25" (635 mm)	25" (635 mm)
C	84" (2134 mm)	84" (2134 mm)	84" (2134 mm)	84" (2134 mm)
D	8" (203 mm)	14" (356 mm)	20" (508 mm)	26" (660 mm)
E	80" (2032 mm)	80" (2032 mm)	80" (2032 mm)	80" (2032 mm)

- B : Incluye el panel de la puerta estándar de un grosor de 3/4".
- La instalación dentro de un gabinete de este ancho permite que el borde del refrigerador se ajuste directamente a los gabinetes cercanos.

Instrucciones de instalación

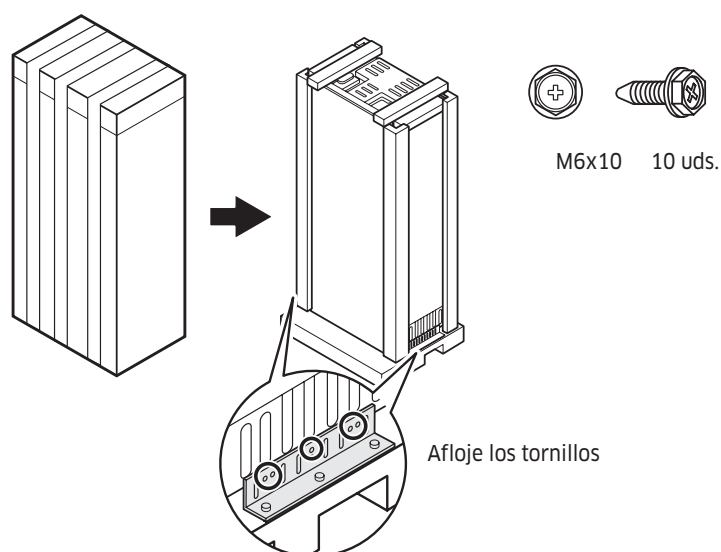
1. Desembalar el refrigerador

Controle el electrodoméstico a fin de detectar daños provocados por el transporte.

No instale el electrodoméstico si presenta daños visibles.

Si tiene alguna inquietud, consulte a su distribuidor.

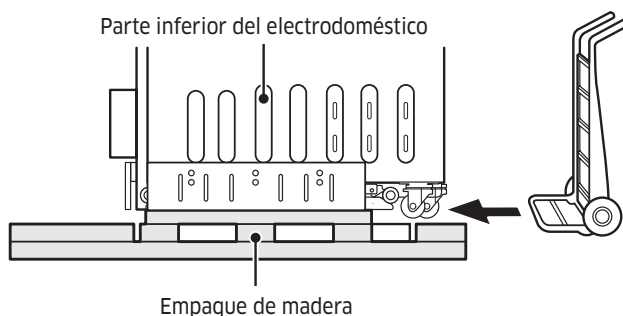
1. Retire las bandas de polipropileno, el embalaje de cartón, EPS y la bolsa.
2. Retire los soportes del pallet al retirar los tornillos (cinco por soporte).



⚠ PRECAUCIÓN

Tenga cuidado de no dañar el electrodoméstico al descargarlo del pallet.

3. Como se ilustra, inserte la carretilla de mano entre el electrodoméstico y el empaque de madera. Mientras inclina el electrodoméstico hacia atrás, descárguelo del empaque de madera.



2. Desplazar el refrigerador

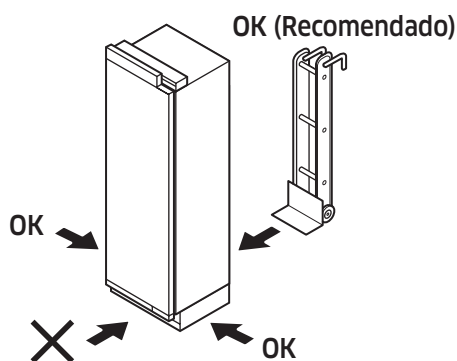
ADVERTENCIA

El electrodoméstico es muy pesado. Al mover el refrigerador, todo el personal debe tener cuidado de no lesionarse ni dañar el electrodoméstico.

1. Ajuste el refrigerador a un medio de transporte adecuado (preferentemente una plataforma deslizante para electrodomésticos) y lleve el refrigerador junto al gabinete de instalación.
 2. Mueva e instálelo con un mínimo de dos personas.
 3. Tenga cuidado de evitar daños al piso. Los pisos delicados deben protegerse con una madera, cartón duro o un material similar
 4. Antes de mover el refrigerador, verifique que pase por las aberturas de las puertas, escaleras y obstrucciones en altura.
- **RIESGO DE VUELCO:** El refrigerador es grande, pesado y se vuelca fácilmente cuando no se lo sujeta. Siempre mueva el refrigerador en posición vertical si fuera posible. Si no, muévalo boca arriba. Cierre y fije las puertas durante el transporte.

ADVERTENCIA

Tenga cuidado de no dañar la caja de componentes eléctricos durante la instalación.



Instrucciones de instalación

3. Preparación para la instalación

Desempaque los materiales y accesorios de instalación.

Consulte la sección de preparación para la instalación del capítulo Requerimientos de instalación.

4. Colocar el soporte antivuelco

⚠ ADVERTENCIA

Para evitar que la unidad caiga hacia adelante, debe instalarse un soporte antivuelco. Antes de colocar el soporte, asegúrese de que no haya cableado eléctrico ni tuberías en el área que atravesarán los tornillos. Se requiere un soporte por electrodoméstico.

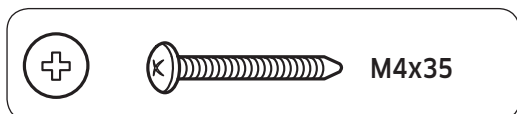
⚠ PRECAUCIÓN

Use siempre anteojos de seguridad y otros dispositivos o accesorios de protección necesarios al instalar o trabajar con fijaciones.

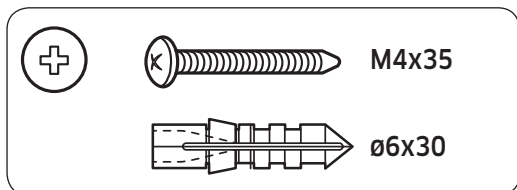
Dacor no recomienda que fije el soporte antivuelco en mampostería liviana (por ej.: bloques, ladrillos) o en cemento nuevo, sin curar.

Asegúrese de que la pared o el gabinete al que se ajustan los soportes sean lo suficientemente sólidos como para soportar la carga de seguridad.

Pared de madera



Pared de cemento

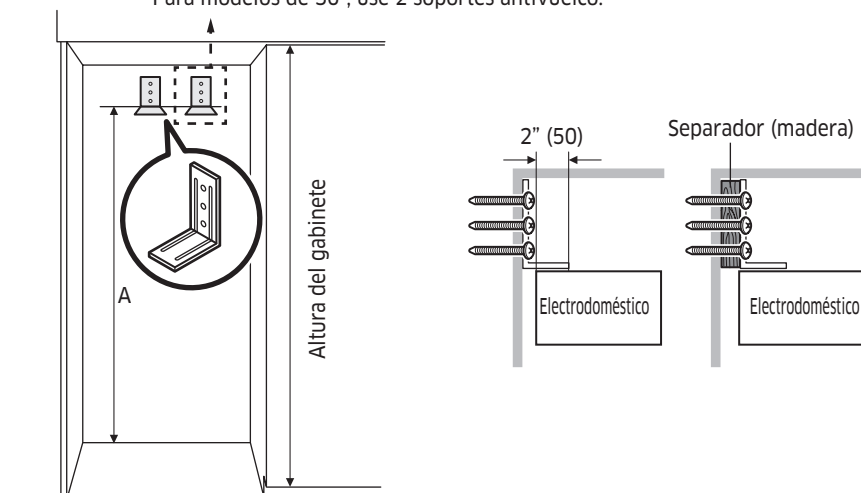


1. La altura del soporte se mide desde el piso y depende de la altura del gabinete.
2. Ajuste los soportes antivuelco. Asegúrese de que los tornillos se ajusten bien al soporte.


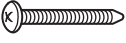



Los soportes antivuelco deben extenderse al menos 2" (50 mm) por encima del electrodoméstico a fin de fijarlo. Si no fuera posible cumplir con dicha longitud mínima por las condiciones estructurales, es posible hacerlo al ajustar un separador (madera) detrás del ángulo antivuelco.

Para modelos de 36", coloque 2 soportes antivuelco en intervalos y fíjelos con 3 tornillos por soporte en una pared de madera, o con 3 tornillos y 3 fijaciones por soporte en una pared de cemento. Para los otros modelos, puede usar un soporte antivuelco para el fin previsto.

Para modelos de 36", use 2 soportes antivuelco.



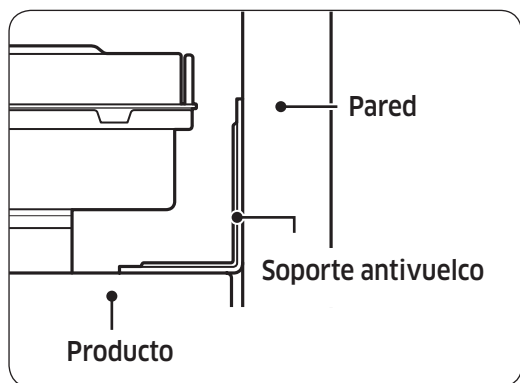
Opción	Altura del gabinete	A
1	83 1/2" (2121 mm)	79 1/2" (2019 mm)
2	83 3/4" (2127 mm)	79 5/8" (2023 mm)
3	84" (2134 mm)	79 7/8" (2030 mm)
4	84 1/4" (2140 mm)	80 1/8" (2036 mm)

		18"	24"	30"	36"
SOPORTE ANTIVUELCO			1 ud.		2 uds.
pared de madera	  M4x35		3 uds.		6 uds.
pared de cemento	  M4x35		3 uds.		6 uds.
	 ø6x30 (FIJACIÓN)		3 uds.		6 uds.

- 3 tornillos/fijaciones por soporte.

Instrucciones de instalación

Consideraciones sobre el soporte antivuelco

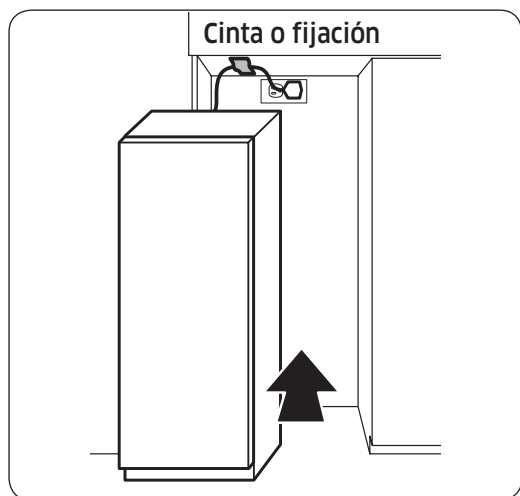


1. Posición del soporte: siga la tabla de alturas específica para el gabinete.
2. Tornillos: Ajuste los 3 tornillos en los soportes.
3. Empuje el producto hacia arriba contra la pared trasera del gabinete.
4. Separador: Si utiliza el separador debe seguir las especificaciones de ubicación del soporte (consulte la tabla anterior).

⚠ PRECAUCIÓN

- La altura del separador se debe calcular en base a la profundidad del gabinete.
- El separador debe fijarse separadamente del gabinete.

Instalación del producto en el gabinete

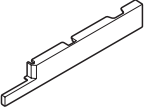


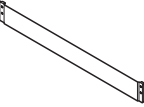




Antes de instalar el producto en el gabinete, enchufe el cable de alimentación. Luego, fije el cable de alimentación junto al frente del gabinete utilizando cinta adhesiva o una fijación como una grapa, un clavo, etc. Luego de instalar el producto en el gabinete, asegúrese de que el cable de alimentación se encuentre sobre la parte superior del producto (como se muestra en la figura).

5. Retirar la cubierta superior de la puerta, placa de protección

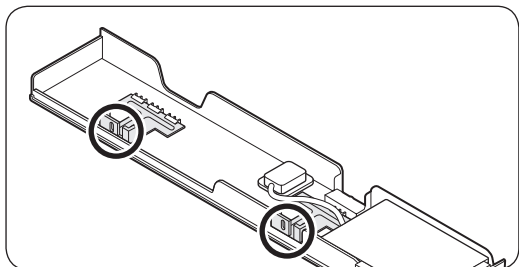
Debe retirar la tapa superior de la puerta y la placa de protección antes de ajustar el panel de la puerta personalizado.



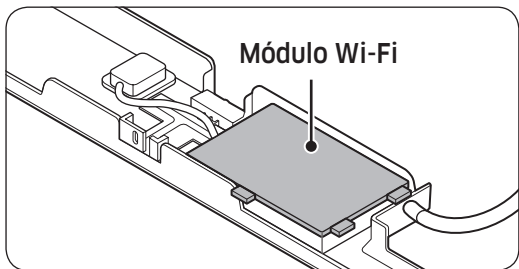
Cubierta superior de la puerta		 	M5x16	4 uds.
Placa de protección		 	M4x8	2 uds.

Instrucciones de instalación

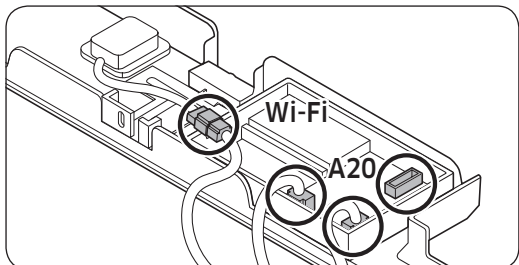
- Cubierta superior de la puerta: Afloje los tornillos y retire la cubierta.



1. Retire los 4 tornillos que fijan la cubierta de la puerta.

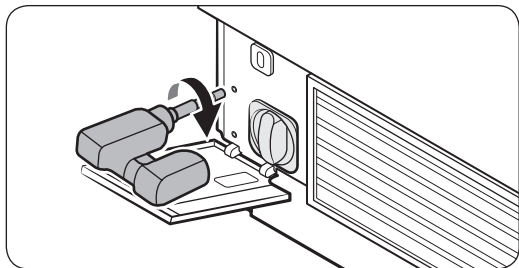


2. Retire la tapa del módulo Wi-Fi del interior de la cubierta de la puerta.

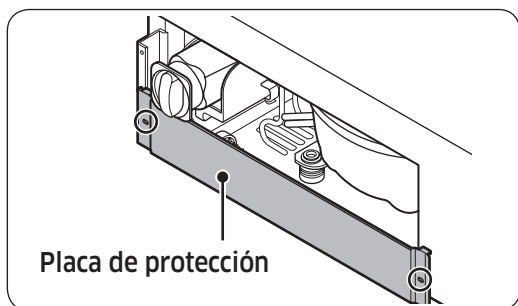


3. Desconecte los conectores del gabinete para separar la cubierta superior de la puerta.

- Placa de protección: En una instalación lado a lado, retire la tapa de la rejilla. Esto no es aplicable para las instalaciones independientes.



1. Empuje para abrir la cubierta del filtro de agua. Quite los tornillos laterales y retire la tapa de la rejilla.

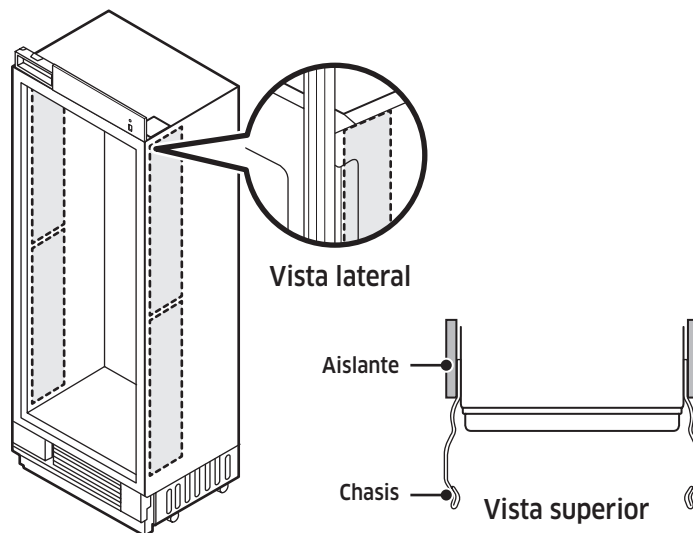


2. Retire los tornillos de ambos lados y retire la placa de protección.

Instrucciones de instalación

6. Instalar aislantes a cada lado del congelador o del refrigerador

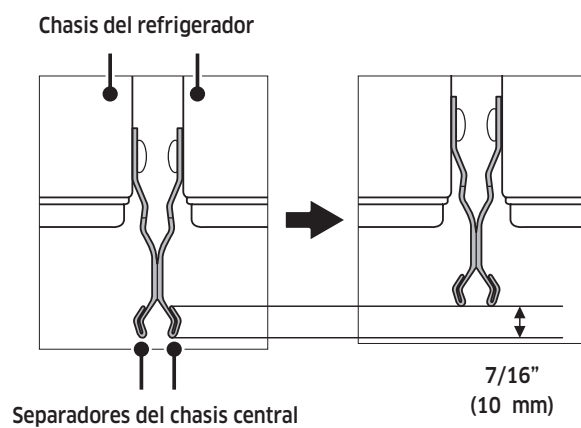
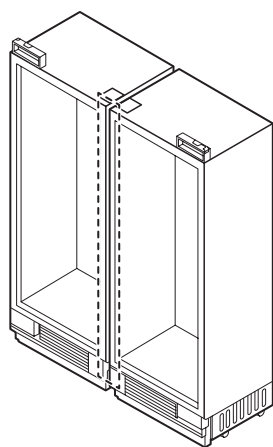
Instale 2 aislantes a cada uno de los lados del congelador o del refrigerador como se muestra. Instale los aislantes de manera que cubran los tornillos del chasis lateral.



7. Instalación lado a lado (Par)

Reposicionar los separadores centrales del chasis

1. Retire el separador central del chasis del conjunto.
2. Coloque nuevamente los separadores a 7/16 pulg. (10 mm) de su posición original (ver el siguiente gráfico).



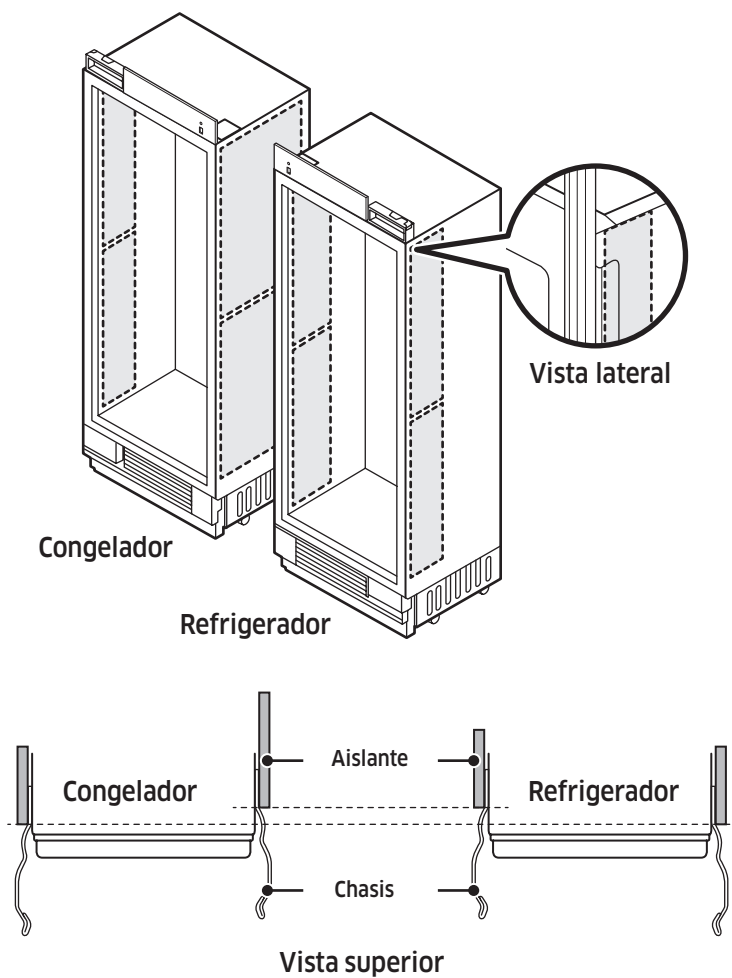
Instrucciones de instalación

Instalar un aislante

Instale el aislante en una de las superficies de contacto.

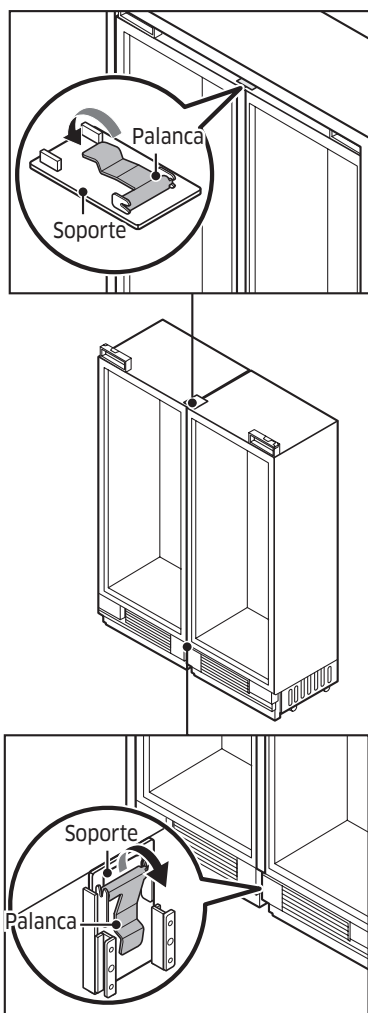
Si el refrigerador y el congelador están emparejados lado a lado, instale el aislante en el refrigerador.

1. Instale un aislante de gran tamaño en una de las superficies de contacto. Si el refrigerador y el congelador están emparejados lado a lado, instale el aislante en el congelador de manera que cubra los tornillos del chasis lateral.
2. Instale los aislantes pequeños a cada lado del congelador y del refrigerador de manera que cubran los tornillos del chasis lateral.
3. Alinee el aislante con el extremo del separador central del chasis.



Conectar los dos chasis

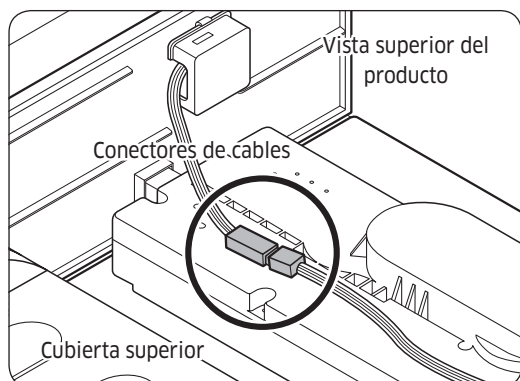
1. Hacer la conexión superior.
 - Coloque el soporte rectangular a las solapas que sobresalen de la parte superior de cada chasis (ver el gráfico).
 - Ajuste la palanca para conectar los dos chasis.
2. Hacer la conexión inferior.
 - Inserte el soporte en la ranura de la parte inferior de los dos chasis.
 - Ajuste la palanca para conectar los dos chasis.



Instrucciones de instalación

8. Colocación de la cubierta superior del refrigerador

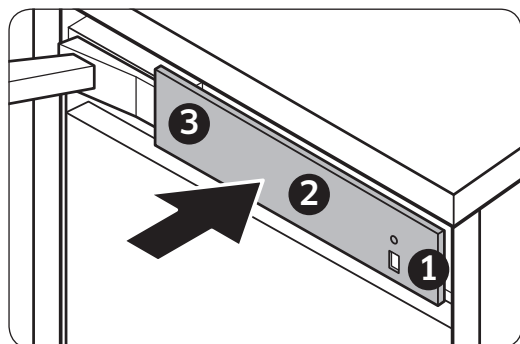
El sensor de intensidad de la luz está instalado en la cubierta superior. Antes de colocar la cubierta superior, conecte el conector del sensor de intensidad de la luz.



1. Conecte el conector del sensor de intensidad de la luz.
Conecte los cables de las partes eléctricas de alrededor del equipo de apertura automática de la puerta y luego inserte los cables en la tubería rectangular.

PRECAUCIÓN

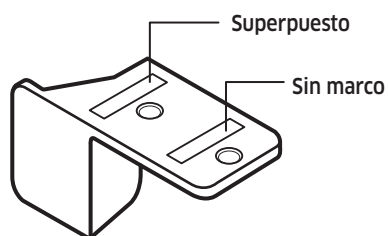
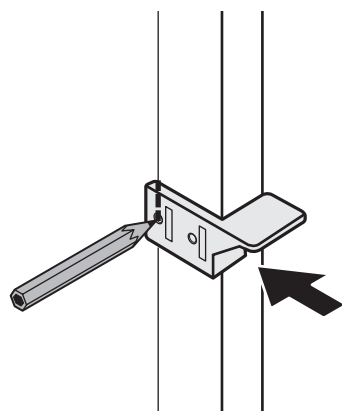
Tenga cuidado de no dañar los cables.



2. Para colocar la cubierta superior, fije los ganchos en el orden de los números que se muestran en la figura.

9. Colocar le refrigerador en su estructura

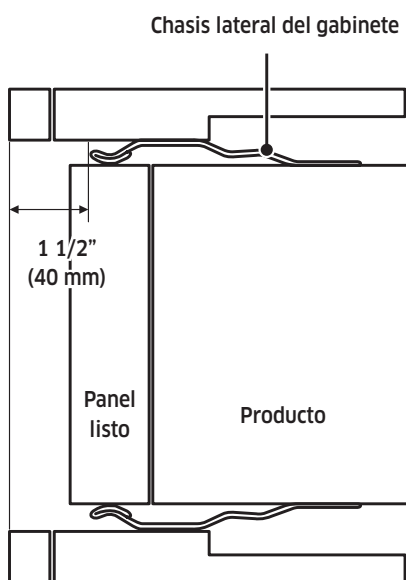
- De acuerdo con el tipo de gabinete puede utilizarse una guía (accesorio para el posicionamiento) para alinear el panel personalizado de la puerta del refrigerador con el gabinete mediante una línea vertical en el gabinete.



Guía (accesorio para el posicionamiento)

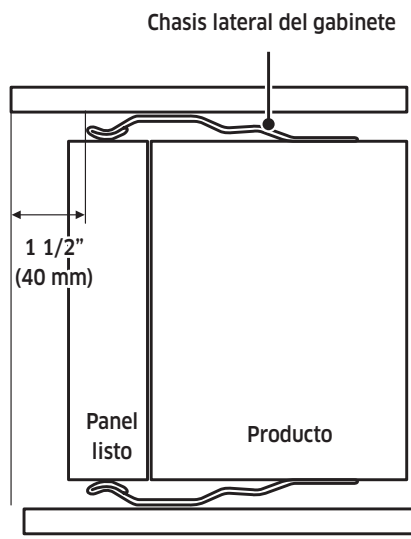
- Posicione el chasis lateral del gabinete para alinearlo con su línea vertical.

Tipo superpuesto



Vista superior

Tipo sin marco



Vista superior

Instrucciones de instalación

PRECAUCIÓN

Al empujar el refrigerador dentro de la estructura, tenga cuidado de no dañar la cañería de agua y el cable de alimentación.

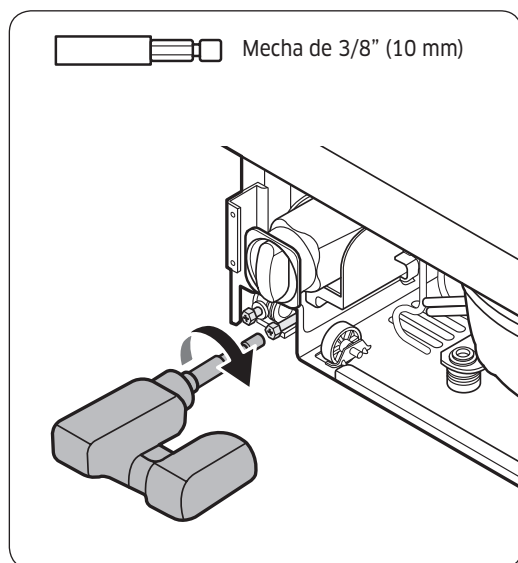
La manguera de agua debe ajustarse al piso antes de sacarla hacia el frente. También coloque el cable de alimentación detrás del electrodoméstico a fin de asegurar que nadie lo pise ni se tropiece con él.

ADVERTENCIA

Mientras mueve el refrigerador, tenga cuidado de no lesionar al personal que lo asiste ni dañar el refrigerador en sí.

1. Antes de mover el refrigerador, conecte el cable de alimentación.
2. Coloque el cartón o la madera de embalaje en el camino del refrigerador a fin de proteger el piso mientras mueve el electrodoméstico.
3. Empuje cuidadosamente el refrigerador en su estructura.
4. Alinee el borde delantero del separador del chasis con la línea vertical que trazó en el gabinete.

10. Nivelar del refrigerador



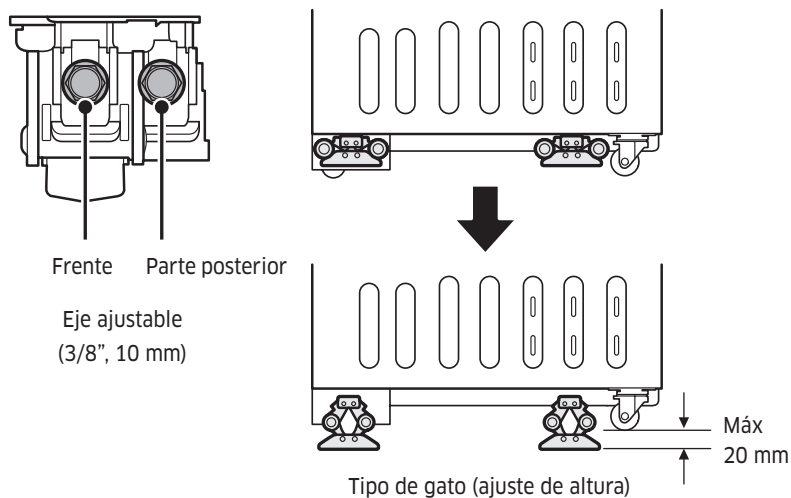
1. Utilice el taladro y la mecha que se ilustran a continuación y ajuste los ejes del ajuste del refrigerador y nivele el refrigerador. (CW ↑, CCW ↓)
2. Ajuste la separación entre el mueble y la cubierta superior del refrigerador a 1/8 pulg. (3 mm).

⚠ PRECAUCIÓN

Las patas niveladores frontales y traseras tienen una altura máxima de ajuste de 3/4 pulg. (20 mm).

Si se requiere una altura mayor, el instalador podrá elevar el refrigerador sobre una placa de madera o tabla corrediza.

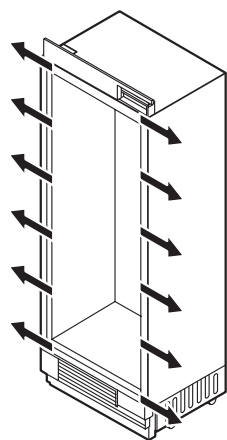
Elevar el refrigerador a más de 3/4 pulg. (20 mm) dañará los componentes de nivelación delanteros y traseros.



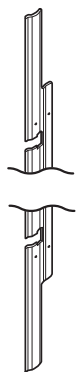
Instrucciones de instalación

11. Ajuste del refrigerador

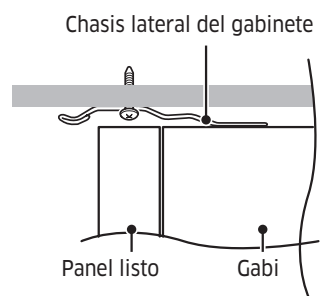
Ajuste el refrigerador a su estructura con tornillos (TH) M4x16 (6 tornillos por lado como se ilustra en el gráfico).



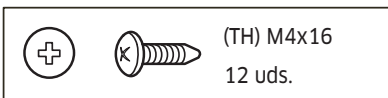
Ubicación fija



Chasis lateral del gabinete

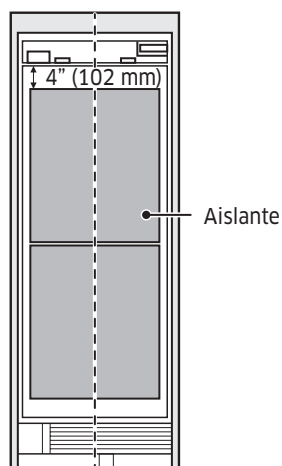


Vista superior



12. Ajustar el aislamiento del panel frontal

- Ajuste el aislamiento al frente de la puerta del refrigerador. (Asegúrese de que la posición de instalación sea la correcta.)
1. Centre el panel de la puerta y el aislamiento como se ilustra en el siguiente gráfico.
 2. Coloque el aislamiento a 4 pulg. (102 mm) de la parte superior de la puerta. (Ver el gráfico.)

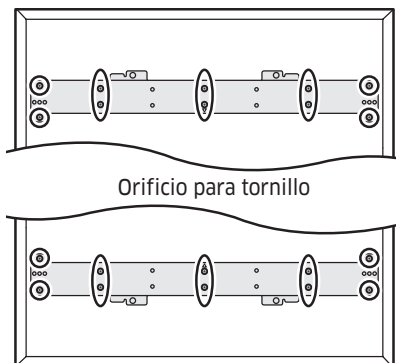


13. Colocar los soportes del panel personalizado de la puerta

Ajuste los soportes del panel a la parte superior e inferior del panel.

Panel personalizado: STS

Coloque 10 tornillos en los soportes superiores e inferiores como se ilustra en el gráfico. (Los otros orificios en los laterales de los soportes son para otra aplicación).

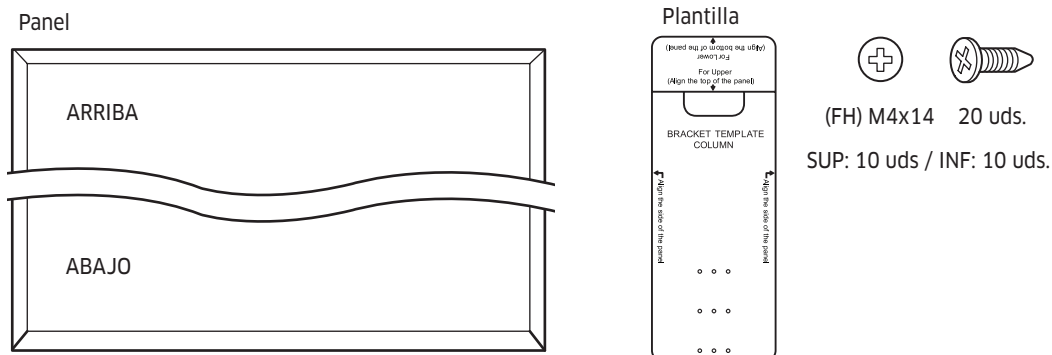


  (FH) M4x14 20 uds.
SUP: 10 uds / INF: 10 uds.

Instrucciones de instalación

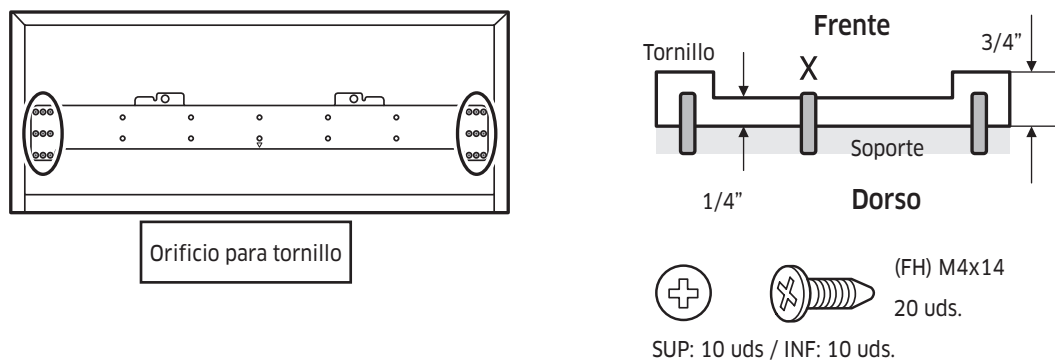
Panel personalizado: Madera, otro

- La plantilla le indica la posición del soporte y los orificios.
- Marque la posición de los orificios en cada esquina del panel de acuerdo con la plantilla e inserte los tornillos.



Panel personalizado: Empotrado, otro

Si, por el tipo de diseño, el panel no pudiera ajustarse al centro del soporte, utilice los orificios adecuados en los laterales del soporte para ajustar el panel.

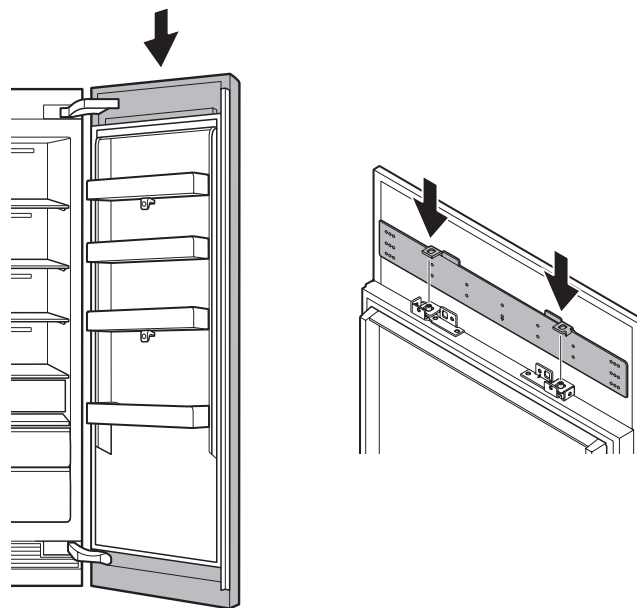


14. Colgar un panel personalizado

ADVERTENCIA

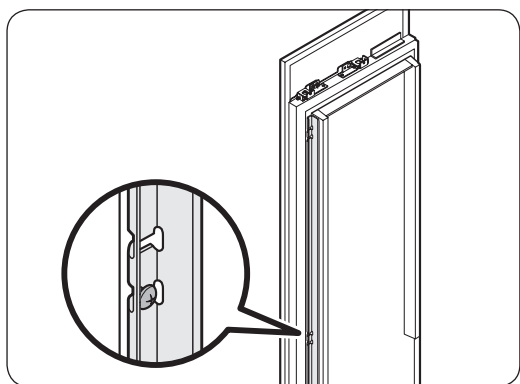
Si instala un panel personalizado antes de ajustar el electrodoméstico al gabinete, el panel personalizado podría caerse. A fin de evitarlos, debe seguir las instrucciones de instalación.

- Cuelgue el soporte del panel a la altura del tornillo de ajuste. (Ver el gráfico.)



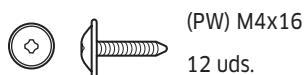
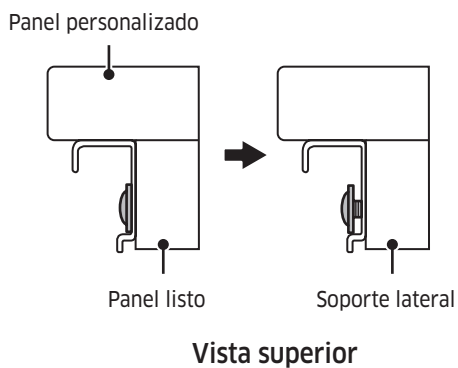
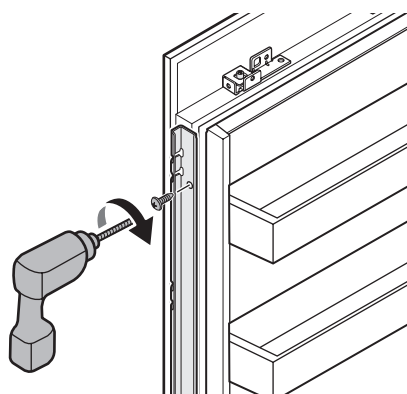
Instrucciones de instalación

15. Preparar el panel para el ajuste



1. Instale temporalmente el panel personalizado en el lado de la puerta ajustando el tornillo en el centro del panel.

2. Afloje, sin retirar, los seis tornillos sobre el lateral de la puerta a fin de que pueda ajustar el panel personalizado en sentido vertical.



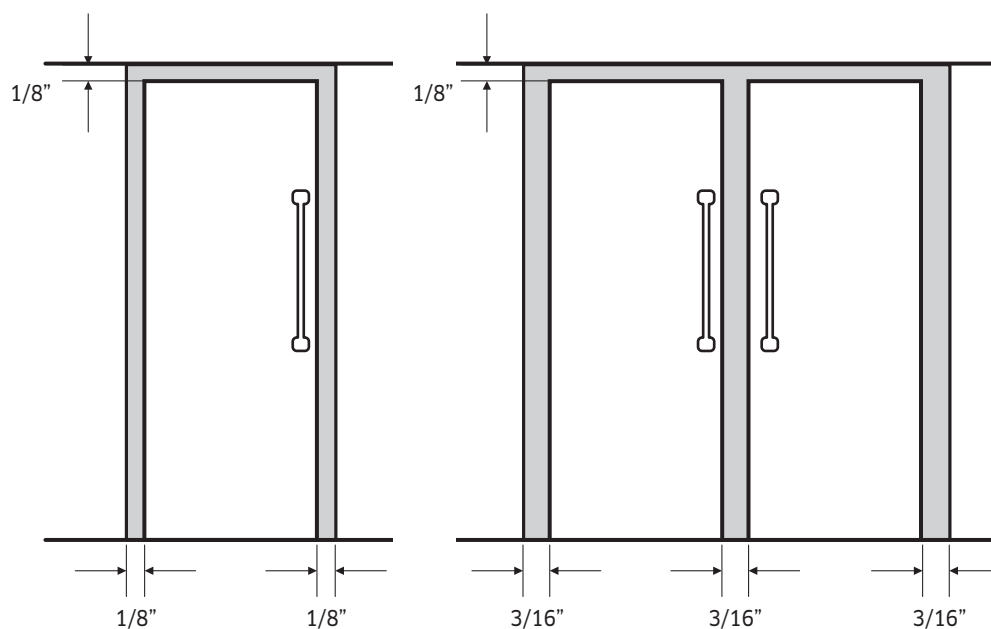
16. Alinear el panel

Hay dos mecanismos de ajuste de los paneles en la parte superior y dos en la parte inferior de la puerta.

Ajuste el panel de modo que se alinee con los gabinetes cercanos.

El espacio entre el gabinete y el panel debe ser de:

- 1/8" (3 mm) en la parte superior
- 1/8" (3 mm) en el lateral para una instalación simple
- 3/16" (4 mm) en el lateral para una instalación en par



Parte superior de la puerta

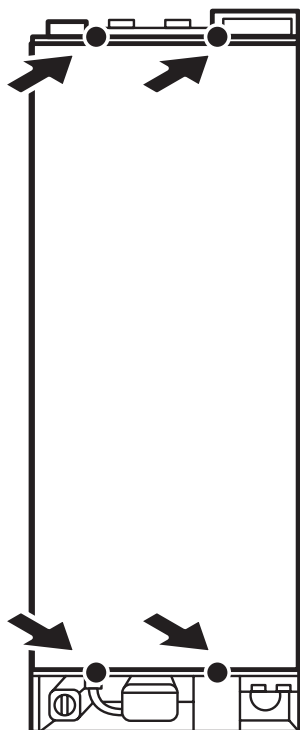
1. Utilice tornillos de rosca doble para alinear el panel de la puerta.
2. Ajuste un tornillo lateral (ver el gráfico) para colocar el panel lado a lado.
3. Ajuste el Tornillo 1 (ver el gráfico) para mover el panel hacia adelante/atrás; ajuste el Tornillo 2 para fijar el panel en su lugar.

Instrucciones de instalación

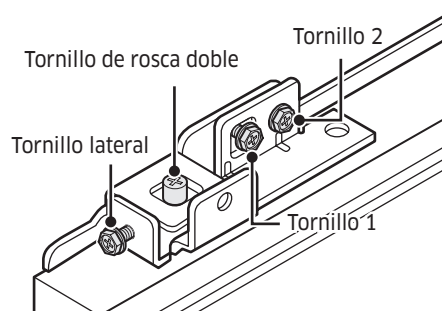
Parte inferior de la puerta

1. Ajuste un tornillo lateral (ver el gráfico) para colocar el panel lado a lado.
2. Ajuste el Tornillo 1 (ver el gráfico) para mover el panel hacia adelante/atrás; ajuste el Tornillo 2 para fijar el panel en su lugar.

● Mecanismos de ajuste de panel

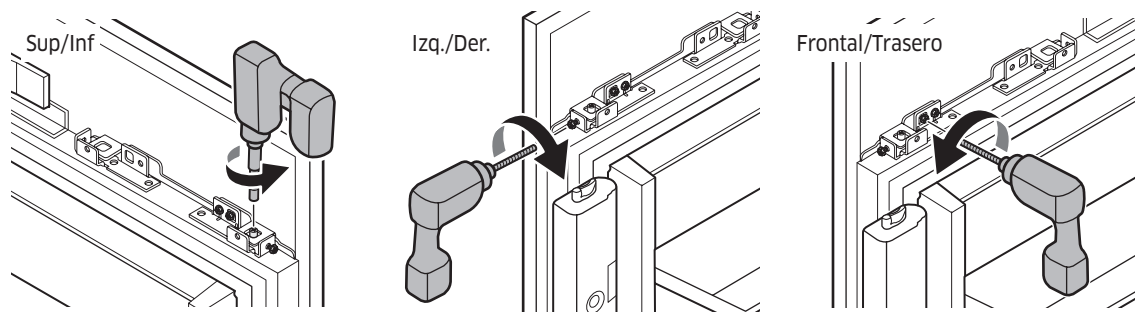


Cada uno 12 tornillos por puerta
M6x12 12 uds.

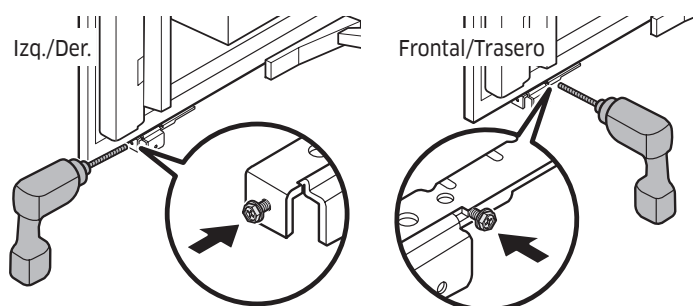


Mecanismo de ajuste de panel

Parte superior de la puerta

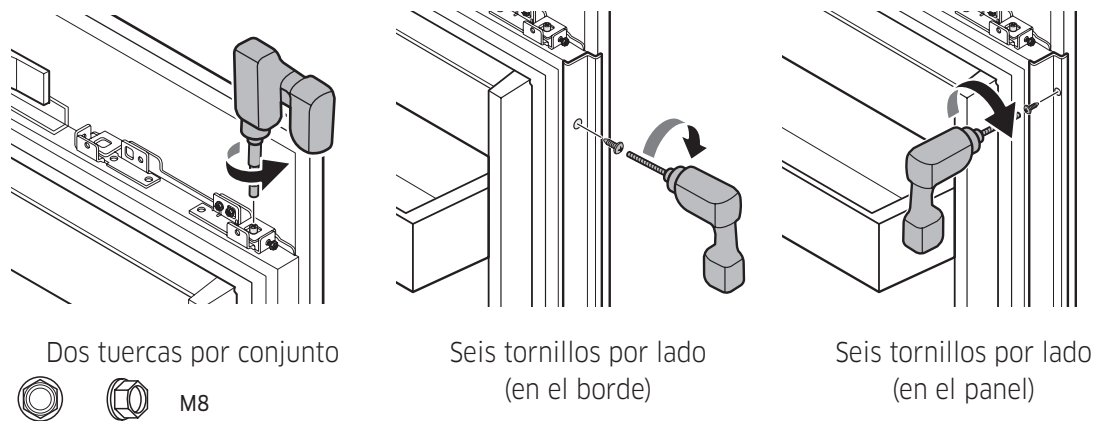


Parte inferior de la puerta



Ajustar el panel a la puerta

1. Ajuste las tuercas correctamente a los tornillos de tuerca doble.
2. Coloque el borde lateral del panel.

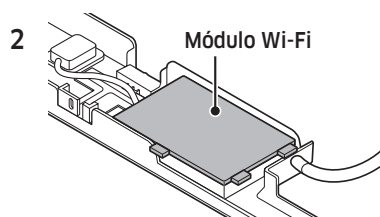
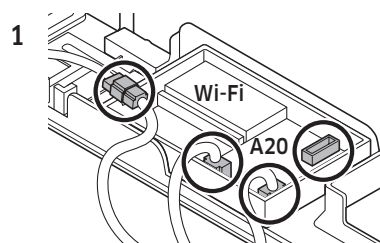


Instrucciones de instalación

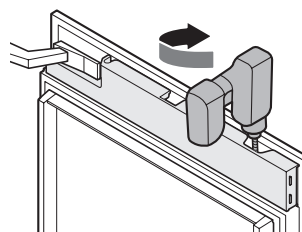
17. Colocar las cubiertas interiores de la puerta

Cubierta superior de la puerta

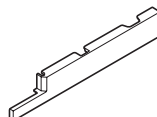
1. Consulte las siguientes figuras e instale los conectores del gabinete en la puerta.
2. Cierre la tapa del módulo Wi-Fi del interior de la cubierta superior de la puerta.
3. Coloque los tornillos en la parte superior (4 tornillos por conjunto).



Cubierta superior de la puerta



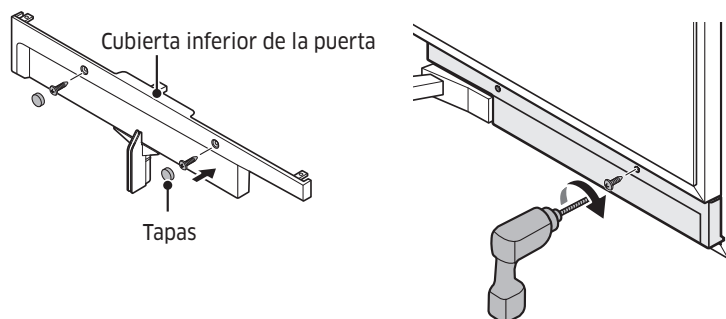
Cubierta superior de la puerta



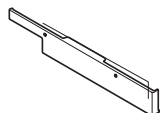
M5x16
4 uds.

Cubierta inferior de la puerta

1. Coloque la guía de aire en la cubierta inferior de la puerta (2 tornillos por conjunto).
2. Coloque la cubierta inferior de la puerta ajustando los tornillos en el frente (2 tornillos por conjunto).
3. Ajuste las tapas sobre los orificios de los tornillos.



Cubierta inferior de la puerta (FH) M4x14 2 uds.



Instrucciones de instalación

18. Conectar la tubería de agua

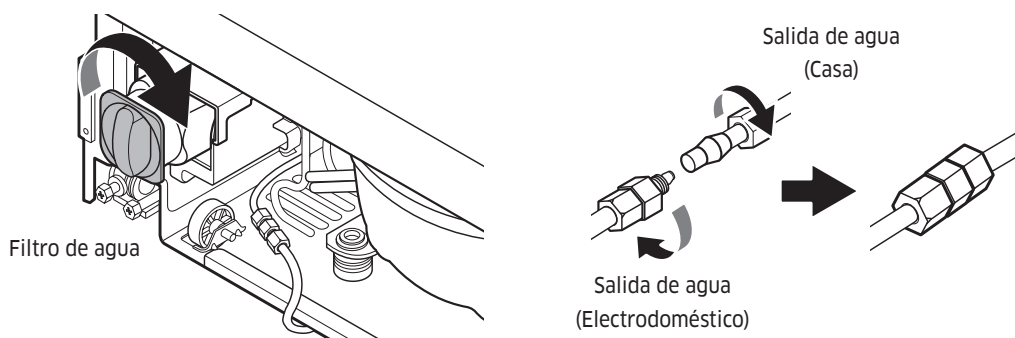
A fin de evitar pérdidas de agua y daños ocasionados por dichas pérdidas, tenga la precaución de no enroscar la tubería de agua.

Después de conectar la manguera de agua en el piso, abra la válvula del agua en la parte posterior del electrodoméstico y verifique la conexión de la tubería de suministro de agua y asegúrese de que no haya pérdidas.

Para llevar a cabo la conexión, necesita adquirir varios elementos. Posiblemente su ferretería local los venda todos juntos en un equipo.

Tubería de cobre	<ul style="list-style-type: none">• Tubería de cobre de $\frac{1}{4}$"• Tuerca de compresión de $\frac{1}{4}$" (1)• Fécula (2)
Tubería de plástico	<ul style="list-style-type: none">• Tubería de plástico de $\frac{1}{4}$" → Extremo moldeado (bulbo)• Tuerca de compresión de $\frac{1}{4}$" (1)

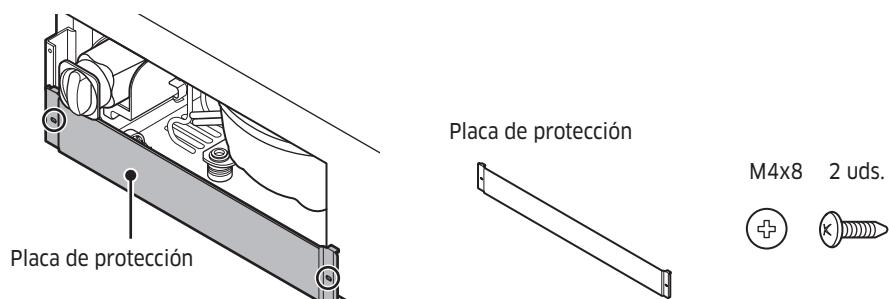
1. Retire la tapa de la conexión del electrodoméstico.
2. Doble la tubería de agua de acuerdo con la ubicación de la conexión en el electrodoméstico.
3. Deslice la tuerca de unión y selle la tubería de agua.
4. Con una llave abierta, ajuste la tuerca de unión y tenga cuidado de no ajustarla de más.
5. Abra la válvula de cierre y la válvula de suministro.
6. Verifique la conexión de la válvula de corte del electrodoméstico a fin de detectar pérdidas.
7. Empuje la tubería de agua dentro del tubo tanto como sea posible.



19. Colocar la placa de protección y el zócalo (opcional)

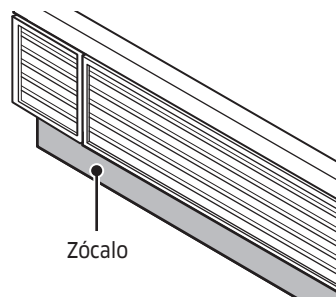
Colocar la placa de protección

- Inserte los tornillos de ambos lados para fijar la placa de protección.



Colocar el zócalo

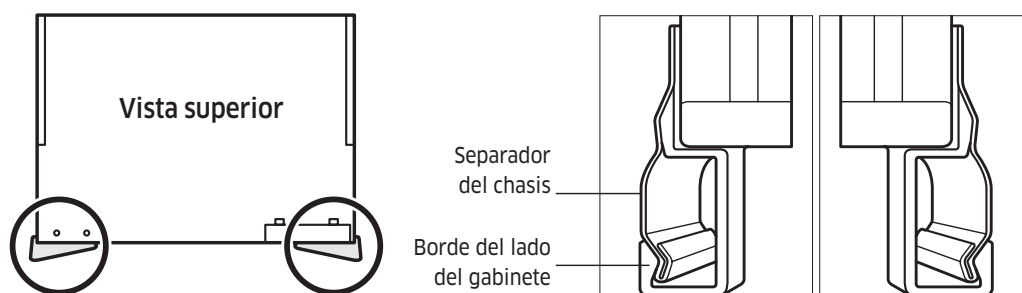
- La altura del producto puede ajustarse entre 83 3/8" y 84 3/8".
- Si desea utilizar el zócalo Dacor provisto (4"), tenga en cuenta que está diseñado para un producto de 83 7/8" de altura y un gabinete de 84" de altura.
- Si desea utilizar un zócalo no provisto por Dacor, ajuste la altura de este según sea necesario.



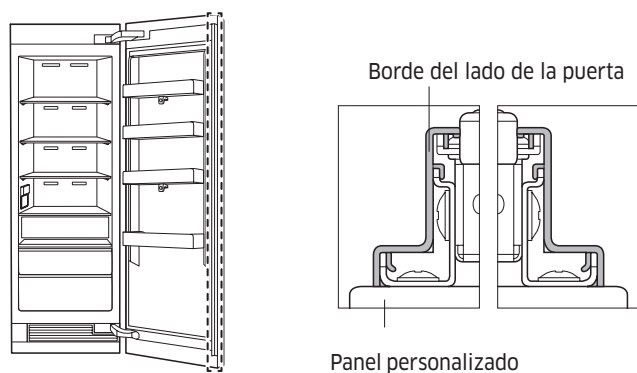
Instrucciones de instalación

20. Colocar el borde del refrigerador

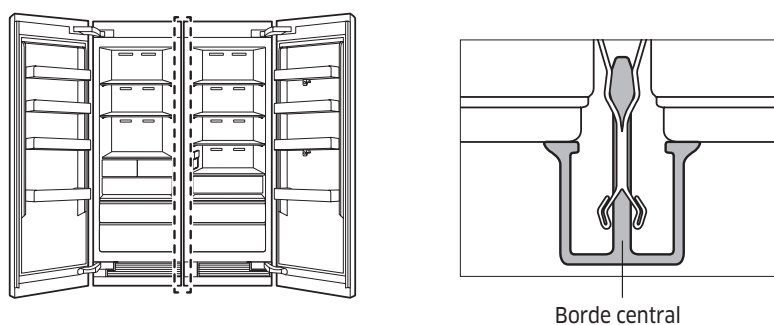
1. Borde del lado del gabinete: Coloque el borde entre el refrigerador y el gabinete.



2. Borde del lado de la puerta: Coloque el borde en el soporte del lado de la puerta.



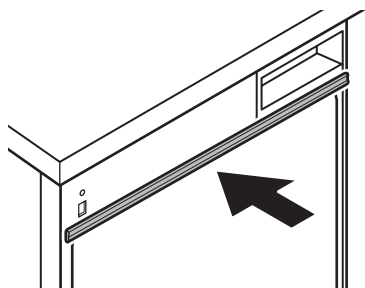
3. (Solo para la instalación lado a lado) Borde central: Coloque el borde entre el chasis del refrigerador.



21. Instalar el borde de la cubierta superior

Instale el borde de la cubierta superior en la parte inferior de esta.

- Para instalación en par, corte de modo que encaje con el ancho del borde de la cubierta superior e instálelo.



22. Retirar el empaque interno

Retire el EPS y la cinta.

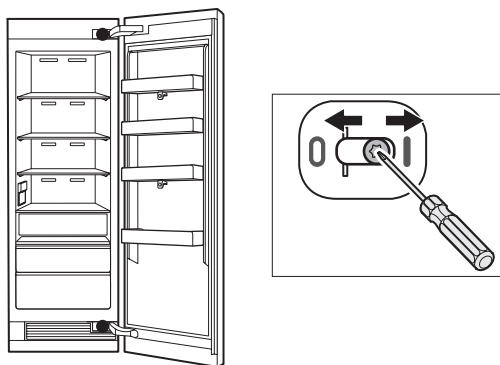
23. Ajustar el resorte de la puerta

Ajuste la tensión del resorte de la puerta de acuerdo con el tamaño del producto.

Con un destornillador con punta de estrella, gire el tornillo de ajuste.

I = presión máxima del resorte

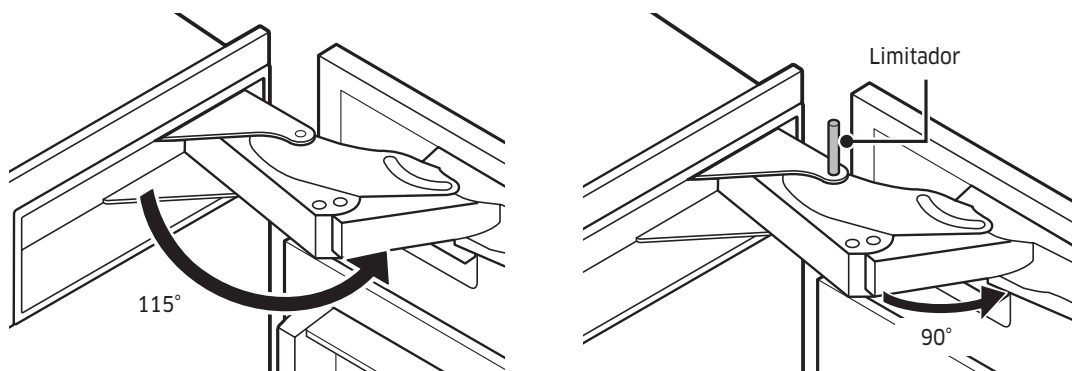
0 = sin tensión del resorte



Instrucciones de instalación

24. Ajuste del ángulo de apertura de la puerta

Como valor de fábrica, la puerta se abre 115 grados. Puede utilizar el limitador para disminuir el ángulo de apertura a 90 grados, dependiendo de las condiciones de instalación.



25. Limpieza

Retire el vinilo de protección y limpie el panel personalizado.

26. Lista de verificación de instalación

Asegúrese de que el refrigerador funcione adecuadamente y de que el panel personalizado de la puerta esté alineado con los gabinetes cercanos.

ADVERTENCIA

- El instalador debe completar la siguiente lista de verificación a fin de garantizar que el refrigerador esté instalado de manera segura y correcta, funcione correctamente y que no se haya pasado por alto ninguna parte de la instalación.
- La instalación adecuada es responsabilidad del dueño de casa. **La importancia de una instalación adecuada de su electrodoméstico Dacor es primordial.**

Lista de verificación de instalación

- ¿La unidad se ha inspeccionado a fin de detectar daños estéticos?
- ¿La tubería de suministro de agua se ha instalado correctamente de acuerdo con las especificaciones y se ha verificado que no existan pérdidas?
- ¿La unidad está adecuadamente alineada con los gabinetes adyacentes?
- ¿Todas las puertas, cajones y estantes funcionan sin problemas ni interferencias?
- ¿Toda la cinta de embalaje y la literatura se han retirado de dentro y fuera del electrodoméstico?
- ¿El cable de alimentación está conectado a un tomacorriente de tres clavijas y con conexión a tierra que cumple con las especificaciones eléctricas?
- ¿La unidad se ha nivelado adecuadamente?
- ¿Se ha instalado correctamente el soporte antivuelco?
- ¿Todos los componentes del refrigerador funcionan correctamente?
- ¿La garantía se ha activado en línea o se ha completado la tarjeta de garantía y se ha enviado por correo?

Notas

Notas



DA68-03621B-02

dacor[®]

Dacor • 14425 Clark Avenue, City of Industry, CA 91745 • Teléfono: (800) 793-0093 • Fax: (626) 403-3130 • www.dacor.com



dacor[®]

Instructions d'installation

Réfrigérateur encastré Modernist

DRR24/30/36*, DRZ18/24/30/36*

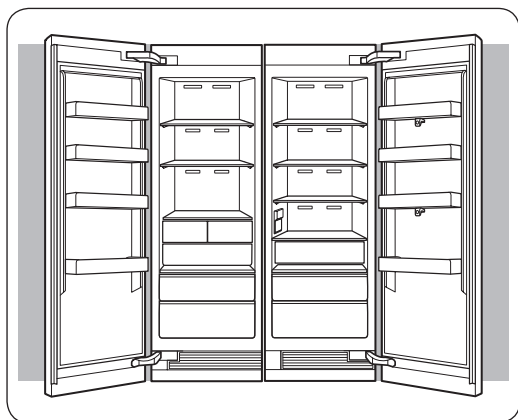
Table des matières

Avant de commencer...	4
Important	4
Informations relatives au service client	5
En cas de besoin...	5
Consignes importantes relatives à la sécurité	6
Avertissement concernant la proposition 65 de l'État de la Californie (États-Unis uniquement)	6
Consignes de sécurité générales	7
Consignes et avertissements de sécurité	11
Sécurité lors de l'installation	11
Spécifications relatives à l'installation	13
Options d'installation	14
Caractéristiques techniques de l'appareil	15
Caractéristiques techniques du panneau personnalisé	16
Caractéristiques techniques de la poignée	17
Installation	18
Exigences relatives à l'installation	19
Préparation à l'installation	19
Mise à la terre du réfrigérateur	22
Conditions relatives à la pression de l'eau	23
Raccordement de l'alimentation en eau principale	24
Conditions spécifiques à l'armoire	25

Instructions d'installation	26
1. Déballage du réfrigérateur	26
2. Déplacement du réfrigérateur	27
3. Préparation à l'installation	28
4. Fixation du support antibasculement	28
5. Retrait du cache supérieur de la porte, plinthe	31
6. Fixation des isolants côté congélateur ou réfrigérateur	34
7. Installation côte à côte (paire)	35
8. Fixer le cache supérieur du réfrigérateur	38
9. Placer le réfrigérateur dans son caisson	39
10. Mise à niveau du réfrigérateur	41
11. Fixation du réfrigérateur	42
12. Fixation de l'isolation du panneau avant	43
13. Fixation des supports du panneau personnalisé de la porte	43
14. Fixation d'un panneau personnalisé	45
15. Préparation du panneau pour l'ajuster	46
16. Alignement du panneau	47
17. Fixation des caches intérieurs de la porte	50
18. Raccordement de la conduite d'eau	52
19. Fixation de la plinthe et de la patte (en option)	53
20. Fixation de l'habillage du réfrigérateur	54
21. Fixation du cache supérieur de l'habillage	55
22. Retrait de l'emballage intérieur	55
23. Ajustement du ressort de la porte	55
24. Ajustement de l'angle d'ouverture de la porte	56
25. Nettoyage	56
26. Liste de vérifications pour l'installation	57

Avant de commencer...

Important



- La conception générale et/ou les accessoires peuvent varier d'un modèle à un autre.

Installateur

- Par mesure de sécurité et pour atténuer les problèmes, lisez attentivement ce manuel, dans son intégralité, avant de procéder à l'installation. L'utilisateur doit pouvoir consulter ce manuel.
- Notez les numéros de série/modèle de l'appareil dans ce manuel à titre de référence pour l'entretien/maintenance.
- Les numéros de série/modèle figurent sur l'étiquette de données dans le compartiment du réfrigérateur.

Utilisateur

- Conservez ce manuel afin vous puissiez vous y référer ultérieurement, tout comme les techniciens, le personnel de service, etc.

CONSERVEZ CES INSTRUCTIONS

Informations relatives au service client

En cas de besoin...

Pour toute question ou tout problème relatif à l'installation, contactez votre revendeur Dacor® ou l'équipe du service client Dacor. Si votre appareil Dacor est sous garantie, appelez le service différencié Dacor. Préparez les numéros de série/modèle de votre appareil avant d'appeler. (Ces numéros figurent sur l'étiquette de données du montant droit de la porte à l'intérieur du réfrigérateur.)

Service différencié Dacor (réparations sous garantie uniquement)

Téléphone : (800) 793-0093 ex. 2822 (États-Unis et Canada)
du lundi au vendredi, de 06 h 00 à 16 h 00 (heure du Pacifique)

Service client Dacor

Téléphone : (800) 793-0093 ex. 2813 (États-Unis et Canada)
du lundi au vendredi, de 06 h 00 à 17 h 00 (heure du Pacifique)

Site Web : www.dacor.com

Toutes les spécifications peuvent être modifiées sans préavis. Dacor n'est pas responsable des changements apportés aux spécifications.

© 2017 Dacor, tous droits réservés.

CONSERVEZ CES INSTRUCTIONS

Consignes importantes relatives à la sécurité

Les Consignes importantes relatives à la sécurité et les avertissements fournis dans les présentes instructions ne sont pas destinés à traiter tous les problèmes et conditions possibles pouvant survenir.

Faites preuve de bon sens et de précaution lors de l'installation, de la maintenance ou de l'utilisation de cet appareil ou de tout autre.

Prenez toujours contact avec l'équipe de service client Dacor en cas de problèmes ou de conditions que vous ne comprenez pas. Voir **Informations relatives au service client**.

Étiquettes et symboles de sécurité

Ces alertes ont pour but d'attirer votre attention sur des éléments importants dans le manuel. Dès lors que vous voyez ces symboles ou étiquettes, lisez attentivement le message correspondant avant de poursuivre.

DANGER

Dangers immédiats qui **PROVOQUERONT** des blessures graves voire mortelles.

AVERTISSEMENT

Pratiques dangereuses ou risquées qui **POURRAIENT PROVOQUER** des blessures graves voire mortelles.

ATTENTION

Pratiques inadaptées ou dangereuses qui **SERAIENT SUSCEPTIBLES DE PROVOQUER** des blessures légères ou des dommages matériels.

Avertissement concernant la proposition 65 de l'État de la Californie (États-Unis uniquement)

AVERTISSEMENT : Cet appareil contient des produits chimiques connus de l'État de la Californie pour causer le cancer et des anomalies congénitales ou des effets nocifs sur la reproduction.

CONSERVEZ CES INSTRUCTIONS

AVERTISSEMENT : gaz réfrigérant R600a

Cet appareil contient du réfrigérant isobutane (R-600a), un gaz naturel présentant une compatibilité écologique élevée, mais qui est aussi inflammable. Veuillez respecter les consignes de sécurité suivantes :

- Lorsque vous manipulez, installez et utilisez l'appareil, veillez à éviter d'endommager le tube du réfrigérant.
- L'entretien doit être effectué par un membre du personnel d'entretien autorisé par le fabricant et les pièces des composants doivent être remplacées par des composants autorisés par le fabricant.
- Les produits de réfrigération contiennent des réfrigérants devant être retirés préalablement à la mise au rebut de l'appareil, conformément aux lois fédérales.
- N'obstruez pas les orifices de ventilation à l'intérieur de l'appareil ou de son caisson ou à l'intérieur de la structure encastrée.
- Afin d'éviter la création d'un mélange gaz-air inflammable lorsqu'une fuite se produit dans le circuit frigorifique, la taille de la pièce où l'appareil peut être placé doit être déterminée en fonction de la quantité de gaz réfrigérant utilisée. La pièce doit avoir un volume de 35,3 pi³ pour chaque 8 g de gaz réfrigérant R-600a à l'intérieur de l'appareil.
- L'emplacement choisi pour l'installation ne doit pas être exposé à la lumière directe du soleil et ne doit pas être placé à proximité d'une source de chaleur ou d'un autre appareil électrique, par exemple d'une cuisinière, d'un four, d'une plaque chauffante ou encore d'un radiateur.
- Pour des raisons de sécurité, si vous utilisez deux produits côte à côté, assurez-vous d'utiliser des produits certifiés dans les atmosphères contenant des gaz explosifs.
- N'utilisez pas de dispositifs mécaniques ou autres pour accélérer le processus de dégivrage.
- N'endommagez pas le circuit de réfrigération.
- N'utilisez pas d'appareils électriques à l'intérieur du compartiment de stockage des aliments de l'appareil.

Consignes de sécurité générales

DANGER

IMPORTANT :

Afin d'éviter que des enfants ne s'étouffent ou ne se retrouvent coincés lors de la mise au rebut d'un appareil usé :

- Retirez les portes.
- Ne retirez pas les grilles afin que les enfants ne puissent pas facilement monter dans le réfrigérateur.

CONSERVEZ CES INSTRUCTIONS

Consignes importantes relatives à la sécurité

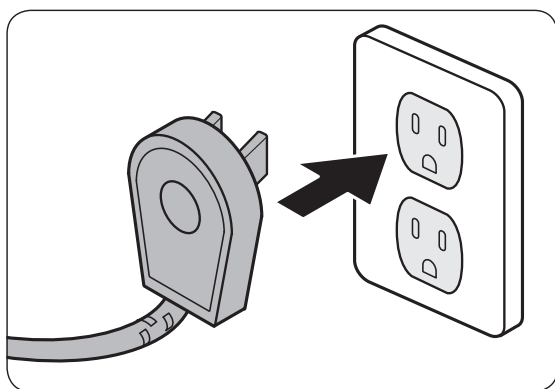
- Coupez les broches de la fiche d'alimentation et jetez-les.
- Débranchez le câble d'alimentation et mettez-le au rebut séparément de l'appareil utilisé.

Afin d'éviter tout risque d'explosion ou d'incendie, ne stockez pas et n'utilisez pas de vapeurs et de liquides combustibles, inflammables ou explosifs (tels que de l'essence) à l'intérieur ou à proximité de cet appareil ou de tout autre. Conservez également tous les éléments qui risquent d'exposer (aérosols par exemple) à distance des brûleurs de table de cuisson, des fours et des hottes. Ne stockez pas de matériaux inflammables ou explosifs dans des meubles ou des endroits adjacents.

AVERTISSEMENT

IMPORTANT : Cet appareil est équipé d'une fiche électrique de mise à la terre à 3 broches pour protéger contre les risques de chocs électriques. Elle doit être branchée dans une prise électrique de mise à la terre dédiée. Si seule une prise électrique à 2 broches est disponible, il incombe au client de la remplacer par une prise électrique de mise à la terre à 3 broches dédiée et adaptée.

- N'entortillez pas et ne pincez pas le cordon d'alimentation de l'appareil.
- Ne débranchez jamais l'appareil en tirant sur le cordon d'alimentation.
- Maintenez toujours fermement la fiche pour la débrancher de la prise électrique.
- Débranchez l'appareil lorsque vous ne l'utilisez pas.
- N'installez pas, ne réparez pas, ne modifiez pas et ne remplacez pas toute pièce de l'appareil, sauf mention contraire indiquée dans les documents d'accompagnement.
- Toutes les autres opérations d'entretien doivent être effectuées par un technicien de service qualifié.



NE coupez pas ou ne retirez pas la troisième broche (de mise à la terre) du cordon d'alimentation.

N'utilisez pas de fiche d'adaptation.

N'utilisez pas un cordon d'alimentation effiloché ou endommagé.

NE branchez pas l'appareil à une rallonge. Maintenez le cordon d'alimentation éloigné des surfaces chauffées.

REMARQUE

- Utilisation d'une prise électrique de mise à la terre.
- L'utilisation d'un disjoncteur différentiel de fuite à la terre (DDFT) n'est pas recommandée.

CONSERVEZ CES INSTRUCTIONS

AVERTISSEMENT

Pour réduire le risque d'incendie, de choc électrique, de blessures graves ou de mort lors de l'utilisation de votre appareil, suivez les consignes de sécurité de base, ainsi que les suivantes :

Si vous recevez un appareil endommagé, contactez immédiatement votre revendeur ou constructeur. N'installez pas ou n'utilisez pas un appareil endommagé.

Assurez-vous que cet appareil a été correctement installé conformément aux instructions d'installation.

Assurez-vous d'installer les prises en fonction de l'alimentation électrique.

L'équipement de réfrigération et les réfrigérants doivent être mis au rebut de façon appropriée par un professionnel et conformément aux lois et réglementations locales visant à protéger l'environnement. Cela s'applique à votre appareil usé et à votre nouvelle unité une fois que celle-ci aura atteint la fin de sa durée de vie. NE mettez pas l'appareil au rebut dans une décharge ou avec les déchets urbains. Contactez les déchetteries locales pour vous renseigner sur la mise au rebut des déchets recyclables.

Lorsque vous manipulez, déplacez, utilisez ou mettez au rebut l'appareil, veillez à ne pas endommager le système de réfrigération.

N'installez pas ou n'utilisez pas l'appareil en extérieur ou dans un endroit humide. Cet appareil n'est pas destiné à être installé dans un véhicule ou bateau de plaisance.

Mettez les emballages hors de portée des enfants. Ils pourraient s'étouffer avec les sacs et les sachets en plastique.

Branchez cet appareil à un circuit 115 V, 15 A contrôlé par un disjoncteur ou un fusible. Cet appareil doit disposer de son propre circuit de mise à la terre séparé.

N'entortillez pas et ne pincez pas le cordon d'alimentation de l'appareil. Ne débranchez jamais l'appareil en tirant sur le cordon d'alimentation. Maintenez toujours fermement la fiche pour la débrancher de la prise électrique.

Débranchez l'appareil lorsque vous ne l'utilisez pas.

N'installez pas, ne réparez pas, ne modifiez pas et ne remplacez pas toute pièce de l'appareil, sauf mention contraire indiquée dans les documents d'accompagnement. Toutes les autres opérations d'entretien doivent être effectuées par un technicien de service qualifié.

Avant d'effectuer toute opération d'entretien, coupez l'alimentation sur le tableau du disjoncteur.

CONSERVEZ CES INSTRUCTIONS

Consignes importantes relatives à la sécurité

Cet appareil n'est pas conçu pour être utilisé par des personnes (y compris des enfants) ayant des capacités physiques ou sensorielles réduites, ou ayant un manque d'expérience et de connaissances, à moins qu'elles ne soient surveillées par une personne responsable de leur sécurité. Les enfants doivent être surveillés par mesure de sécurité.

Ne permettez à personne, y compris à des enfants, de s'asseoir ou de grimper sur toute pièce de l'appareil, y compris la porte. Le non-respect de cette consigne peut entraîner des dommages et des blessures importants, voire la mort.

Si le cordon d'alimentation est endommagé, il doit être remplacé par le fabricant ou un technicien de service qualifié par mesure de sécurité. Ne trafiquez pas les commandes.

Nettoyer régulièrement cet appareil conformément aux instructions de la section Entretien et nettoyage du manuel d'utilisation. Nettoyez régulièrement le bac à glaçons ou le tiroir.

Lorsque le congélateur est en marche, ne touchez pas les surfaces internes en inox si vous avez les mains mouillées ou humides car votre peau pourrait rester coller aux surfaces très froides.

N'utilisez aucun type d'équipement électrique à l'intérieur des compartiments du réfrigérateur ou du congélateur

N'obstruez pas les orifices de ventilation de l'appareil.

Afin d'éviter que l'appareil ne bascule, il est impératif de fixer l'appareil au mur avec les deux supports antibasculement fournies.

N'utilisez cet appareil que conformément à l'usage auquel il est destiné : conserver des aliments et des boissons. Il n'est pas destiné à un usage commercial ou industriel.

Lorsque vous installez le boîtier des composants électriques, vérifiez si celui-ci est endommagé ou non par un choc électrique.

Ouvrez et tenez la poignée lorsque vous ouvrez et fermez la porte.

Lorsque vous ouvrez et fermez la porte, veillez à ne pas mettre vos mains dans le seuil.

CONSERVEZ CES INSTRUCTIONS

Consignes et avertissements de sécurité

Sécurité lors de l'installation

Emplacement et sécurité lors de l'installation

AVERTISSEMENT

- Avant d'installer le réfrigérateur, raccordez-le à une prise de courant et allumez l'appareil pour vous assurer qu'il fonctionne.
- Choisissez un emplacement éloigné de toute source de chaleur (radiateur, chaudière ou lumière directe du soleil).
- Installez l'appareil à un endroit où l'air circule librement et où le réfrigérateur peut bien ventiler.
- Installez l'appareil de sorte que l'air circule sans obstruction au niveau de la grille d'aération avant. Si la circulation de l'air ne peut pas se faire, cela peut interférer avec le bon fonctionnement de l'appareil.
- Les animaux venant de l'extérieur (rongeurs) peuvent ronger le cordon d'alimentation et provoquer un incendie. Par conséquent, installez l'appareil à un endroit non accessible aux animaux.
- Si le meuble est composé d'un matériau souple (ex : plâtre, etc.), sa structure peut être fragile et risque d'être endommagée. Par conséquent, utilisez un meuble composé d'un matériau fort et solide.
- Installez le réfrigérateur avec une équipe d'au moins 2 personnes.
- Reportez-vous aux dimensions du meuble et préparez ce dernier pour assurer une circulation appropriée de l'air.
- Utilisez un meuble qui ne va pas se déformer à cause de la chaleur ou de l'humidité émise par l'appareil lors de l'ouverture et la fermeture du réfrigérateur.

REMARQUE

Ce réfrigérateur est un modèle de type « encastré », ce qui signifie que le réfrigérateur impose une installation à l'intérieur d'un renforcement dans un meuble de cuisine existant.

Avant de déplacer le réfrigérateur, dégagez le chemin vers l'emplacement d'installation.

Comparez toutes les dimensions de l'appareil et le rayon de basculement avec celles des portes, des couloirs, des escaliers, des recoins, etc. afin de vous assurer que vous ayez un chemin clairement défini.

Consignes et avertissements de sécurité

AVERTISSEMENT



Risque de basculement

Cet appareil est relativement lourd au niveau de la partie supérieure et peut basculer s'il n'est pas installé de façon sécurisée.

Maintenez les portes fermées avec du ruban adhésif jusqu'à ce que le réfrigérateur se trouve dans sa position finale et qu'il est prêt à être fixé en place.

Faites appel à deux personnes ou plus pour déplacer et installer le réfrigérateur.

Le non-respect de ces consignes peut provoquer des blessures graves voire mortelles.

DANGER



Risque d'explosion

Tenez les matériaux et vapeurs inflammables (essence par exemple) à distance du réfrigérateur.

Le non-respect de ces consignes peut provoquer la mort, une explosion ou un incendie.

Spécifications relatives à l'installation

AVERTISSEMENT

Respectez tous les codes gouvernementaux et décrets lors de la programmation et de l'installation. Contactez votre service des bâtiments local pour en savoir plus.

AVERTISSEMENT

Les branchements électriques et de mise à la terre doivent respecter les dispositions applicables du code électrique national et/ou des autres codes électriques locaux.

Cet appareil est doté d'un cordon électrique avec une fiche de mise à la terre à trois broches pour une alimentation de 115 V CA, 15 A. Branchez-le dans une prise électrique de mise à la terre à trois broches de 115 V CA uniquement.

À moins qu'un **système de filtration** complet ne soit installé, la cartouche du filtre à eau fournie doit être installée conformément au manuel d'utilisation.

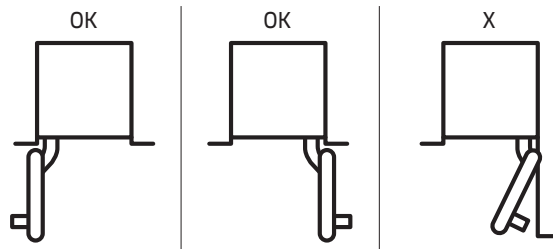
Éteignez la **machine à glaçons** en utilisant la touche **ICE (GLACE)** chaque fois que le robinet d'arrivée d'eau est coupé. La touche **ICE (GLACE)** est allumée lorsque la machine à glaçons est allumée.

L'appareil est doté d'un système d'éclairage avec des DEL haute intensité. Ne fixez pas ces voyants lorsqu'ils sont allumés afin d'éviter tout dommage oculaire possible.

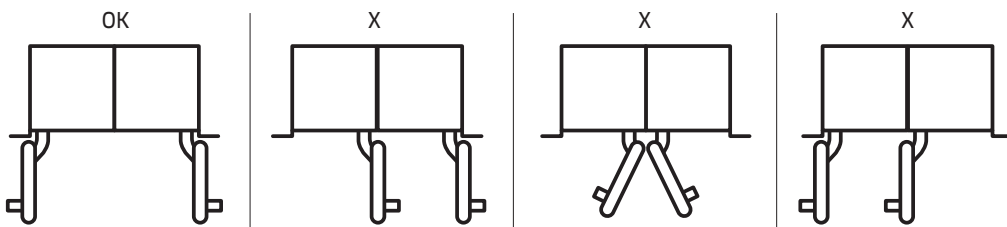
Options d'installation

Il existe de nombreuses options d'installation.
Elles dépendent de la conception de votre cuisine.

Appareil individuel

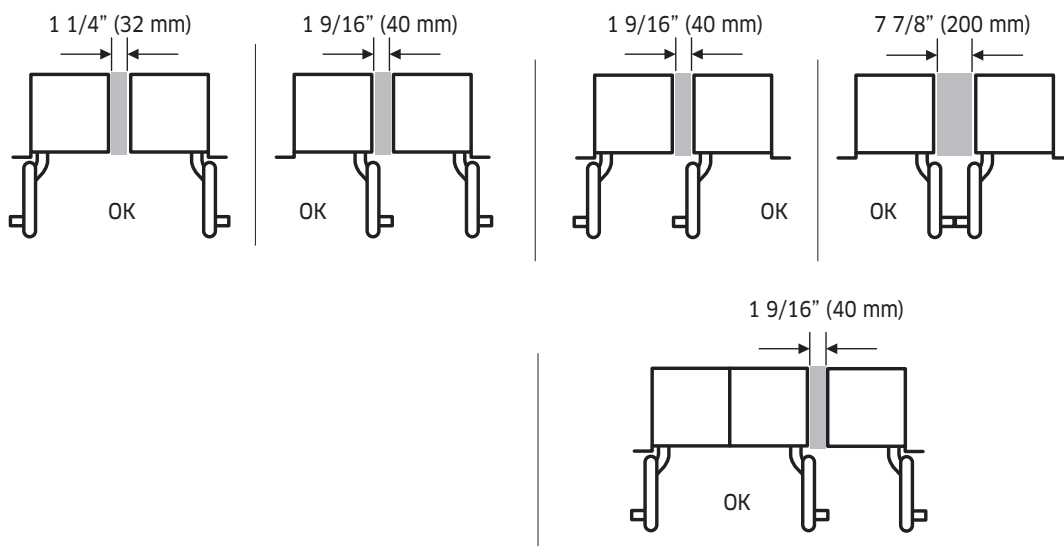


Côte à côte (paire)

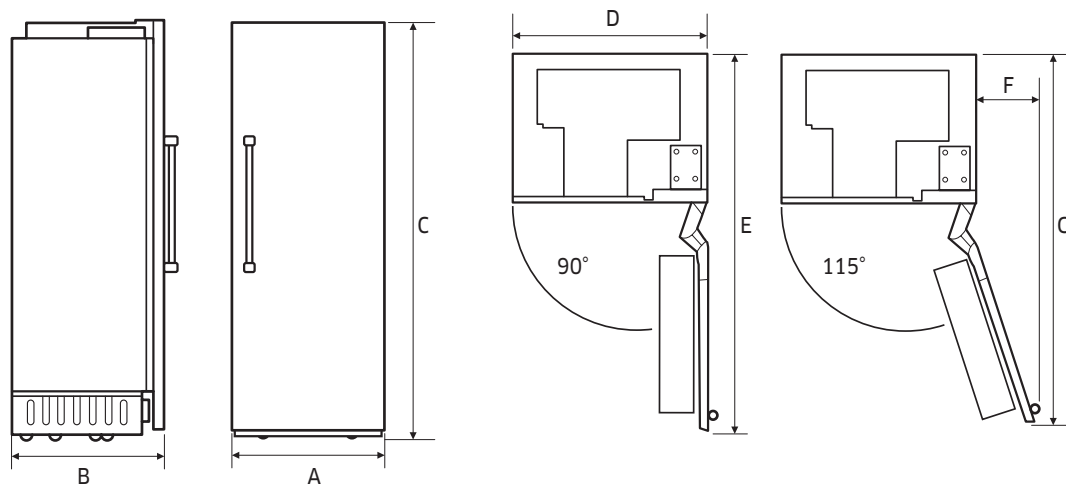


Appareils individuels avec séparation

L'épaisseur minimale de la séparation est de 5/8" (16 mm)



Caractéristiques techniques de l'appareil



Désignation	18"	24"	30"	36"
A	17 3/4" (451 mm)	23 3/4" (603 mm)	29 3/4" (756 mm)	35 3/4" (908 mm)
B	25" (635 mm)			
C	83 3/8" (2118 mm)			
D	17 5/8" (447 mm)	23 5/8" (600 mm)	29 5/8" (752 mm)	35 5/8" (905 mm)
E	44 3/4" (1136 mm)	50 3/4" (1289 mm)	56 11/16" (1440 mm)	62 7/8" (1597 mm)
F	11 13/16" (275 mm)	13 11/16" (348 mm)	16 9/16" (421 mm)	20 9/16" (496 mm)
G	43 7/8" (1114 mm)	49 11/16" (1261 mm)	55 5/16" (1404 mm)	61 5/16" (1556 mm)

Caractéristiques techniques de l'appareil

Caractéristiques techniques du panneau personnalisé

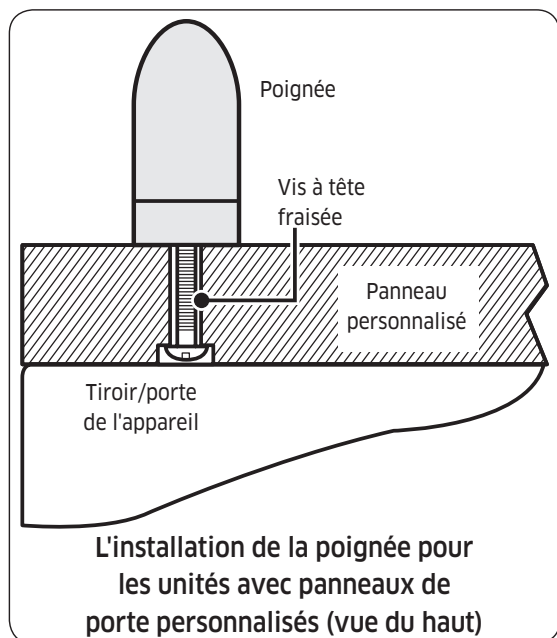
Ne dépassez pas la charge maximale que peut supporter le panneau personnalisé. Avant d'installer le panneau, vérifiez la force du matériau du panneau et la charge des fixations du panneau.

	18"	24"	30"	36"
Poids maximal du panneau personnalisé (poignée incluse)	132 lb (60 kg)	110 lb (50 kg)	88 lb (40 kg)	66 lb (30 kg)

REMARQUE

- Poids maximal du panneau personnalisé (poignée incluse) = Charge maximale de la charnière (242 lb) - poids de la porte et charge.
- L'épaisseur du panneau personnalisé est de $\frac{3}{4}$ " (19 mm).

Caractéristiques techniques de la poignée



Avant d'installer les panneaux personnalisés, vous devez d'abord installer les poignées du tiroir/porte.

Avec les modèles dotés d'un panneau personnalisé, vous pouvez choisir le style de poignée qui vous convient le mieux. Les poignées ne sont pas fournies avec les modèles dotés d'un panneau personnalisé. Des kits de poignées sélectionnés sont disponibles auprès de votre revendeur Dacor. Dacor ne recommande pas l'utilisation de tirettes individuelles.

La plupart des kits de poignées n'incluent pas les vis de montage nécessaires car la longueur des vis varie selon l'épaisseur du panneau.

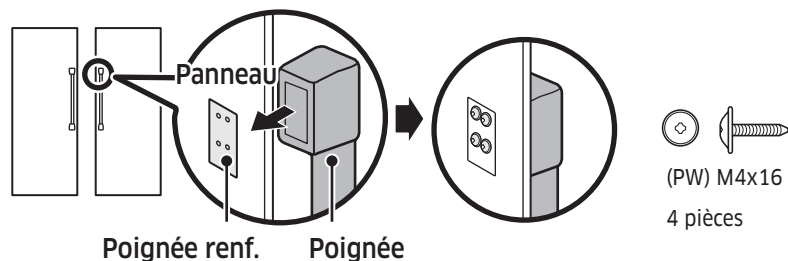
L'artisan du panneau doit choisir et acheter les bagues de fixation nécessaires à l'installation. Les têtes des vis doivent être fraisées dans le panneau afin de prévenir toute interférence au cours de l'ajustement de la profondeur.

Fixation de la poignée fournie par Dacor

⚠ AVERTISSEMENT

Suivez les instructions ci-après pour fixer la poignée fournie par Dacor. Dans le cas contraire, la poignée risque d'être endommagée ou de dysfonctionner.

1. Placez le support renforcé de la poignée à l'arrière du panneau de la porte, puis mettez la poignée sur l'avant du panneau de la porte.
2. Comme indiqué, serrez les 4 vis sur chacun des côtés supérieur et inférieur de la poignée. Ne les serrez pas à l'excès.



Installation

AVERTISSEMENT

N'installez pas l'appareil :

- à l'extérieur,
- dans un environnement où de l'eau ruisselle.

L'appareil est très lourd :

Réfrigérateur 24" : environ 377 lb/171 kg

Réfrigérateur 30" : environ 472 lb/214 kg

Réfrigérateur 36" : environ 567 lb/257 kg

Congélateur 18" : environ 289 lb/131 kg

Congélateur 24" : environ 386 lb/175 kg

Congélateur 30" : environ 483 lb/219 kg

Congélateur 36" : environ 580 lb/263 kg

Emplacement de l'installation

L'appareil doit être installé dans une pièce sèche et aérée.

Installation sécurisée

L'appareil est très lourd et tend à basculer en avant lorsque la porte de l'appareil est ouverte.

N'ouvrez pas la porte avant d'être sûr que l'appareil ne peut pas basculer.

Le moyen le plus sûr d'installer l'appareil est d'utiliser les dispositifs antibasculement fournis.

Sol

La surface inférieure doit être mise à niveau et égalisée afin de s'assurer que l'appareil est installé de façon sécurisée et que l'appareil fonctionne correctement.

La surface inférieure doit être constituée de matériaux durs et rigides pour soutenir le poids de l'appareil.

Alignement de l'appareil

Pour s'assurer que l'appareil fonctionne correctement, il doit être mis à niveau de façon appropriée.

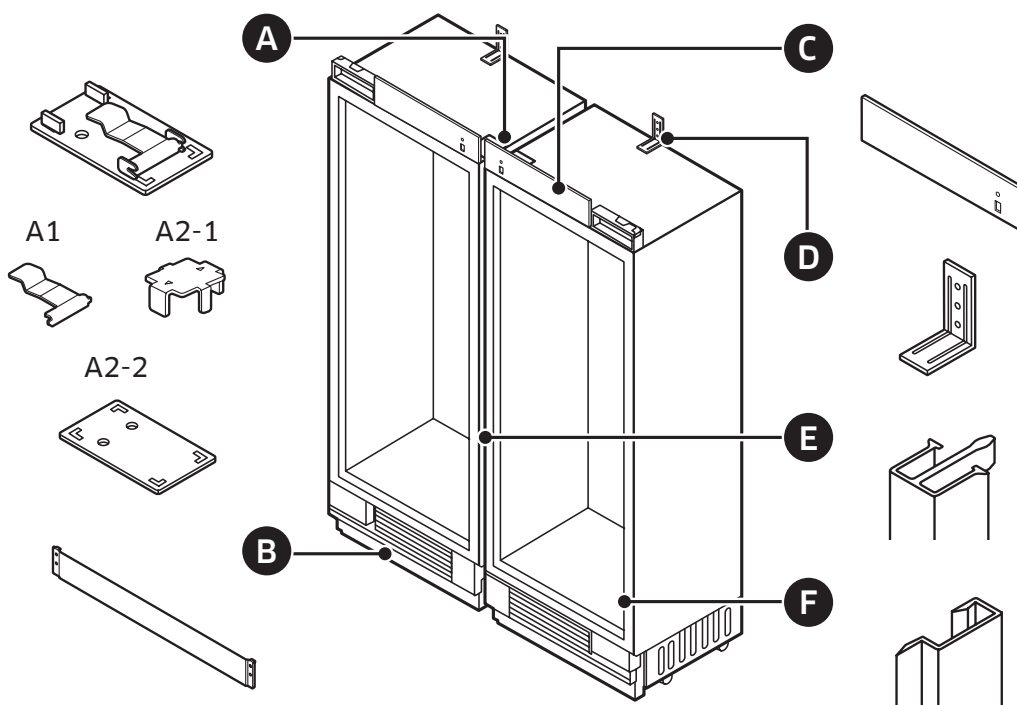
Si l'appareil n'est pas à niveau, de l'eau risque de se déverser au niveau de la machine à glaçons, les glaçons risquent d'être irréguliers ou les portes risquent de ne pas se fermer correctement.

Exigences relatives à l'installation

Préparation à l'installation

Pièces d'installation de l'armoire

En utilisant le tableau de la page suivante, vérifiez que toutes les pièces d'installation sont présentes au moment du déballage de l'appareil.



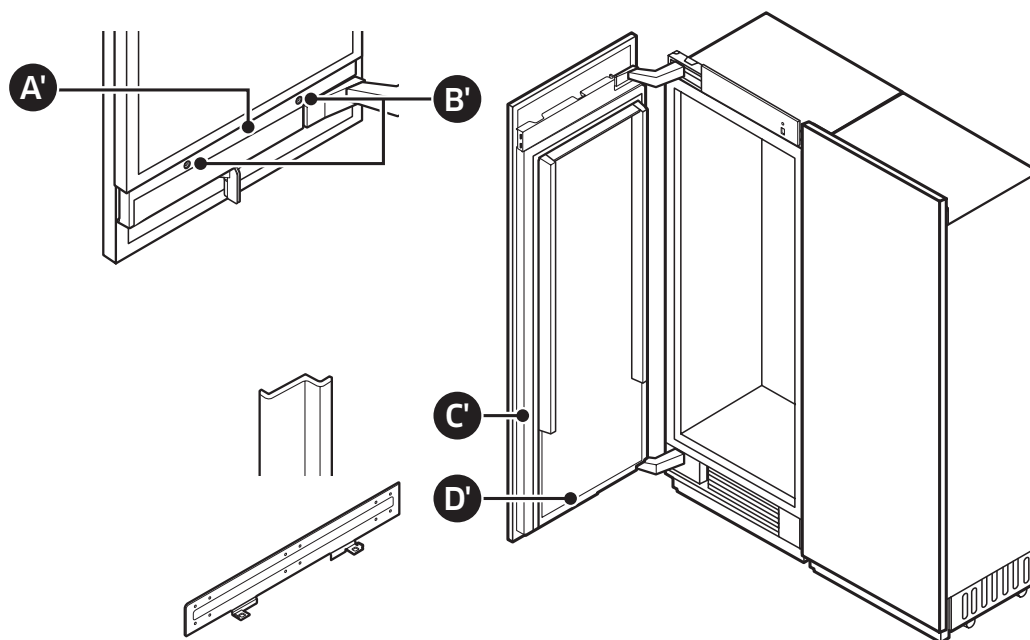
Vérifiez les pièces d'installation au moment du déballage de l'appareil

PIÈCES		INSTALLATION INDIVIDUELLE	INSTALLATION D'UNE PAIRE	
A	A1	LEVIER	-	2
	A2-1	PLAQUE INFÉRIEURE	-	1
	A2-2	PLAQUE SUPÉRIEURE	-	1
B	PLINTHE	1	2	
C	Cache supérieur du réfrigérateur	1	2	
D	SUPPORT ANTIBASCULEMENT	18", 24", 30" : 1 36" : 2	18", 24", 30" : 2 36" : 4	
E	HABILLAGE CENTRAL	-	1	
F	HABILLAGE LATÉRAL DE L'ARMOIRE	2	2	

Exigences relatives à l'installation

Pièces d'installation de la porte






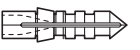
En utilisant le tableau ci-dessous, vérifiez que toutes les pièces d'installation sont présentes au moment du déballage de l'appareil.




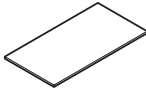
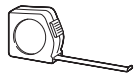




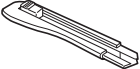


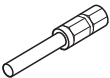
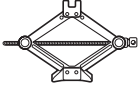
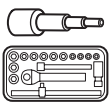

Vérifiez les pièces d'installation au moment du déballage de l'appareil.

PIÈCES		INSTALLATION INDIVIDUELLE	INSTALLATION D'UNE PAIRE
A'	CACHE INFÉRIEUR DE LA PORTE	1	2
B'	BOUCHON	2	4
C'	HABILLAGE LATÉRAL DE LA PORTE	2	4
D'	SUPPORT DU PANNEAU	2	4

Vis et écrou

	M6x12	12 pièces		(FH) M4x14	22 pièces
	(TH) M4x16	24 pièces		M4x35	3 pièces (36": 6 pièces)
	M8	2 pièces		∅6x30	3 pièces (36": 6 pièces)

Outils requis

NON	Outil	NON	Outil
1	 Tournevis électrique	8	 Tapis de sol de protection
2	 Mètre ruban	9	 Escabeau
3	 Tournevis à tête plate/ fendue	10	 Diable
4	 Couteau (séateur)	11	 Cutter
5	 Clé à molette	12	 Niveau
6	 Tournevis cruciforme	13	 Vérin
7	 Cliquet 3/8" (10 mm), 1/2" (13 mm)	14	 Clé mixte 3/8" (10 mm), 1/2" (13 mm)

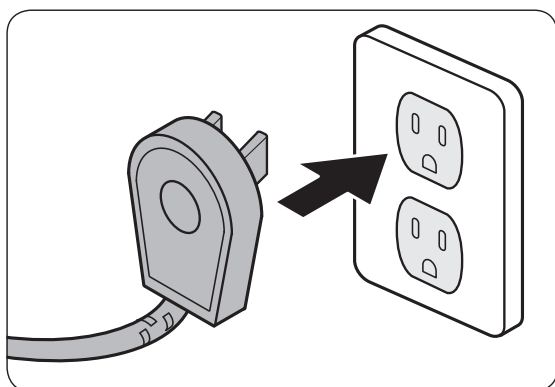
Exigences relatives à l'installation

Mise à la terre du réfrigérateur

ATTENTION

Les branchements électriques et de mise à la terre doivent respecter les dispositions applicables du code électrique national et/ou des autres codes électriques locaux.

Cet appareil est doté d'un cordon électrique avec une fiche de mise à la terre à trois broches pour une alimentation de 115 V CA, 15 A. Branchez-le dans une prise électrique de mise à la terre à trois broches de 115 V CA uniquement.



NE COUPEZ ET NE RETIREZ JAMAIS LA TROISIÈME BROCHE (MISE À LA TERRE) DU CORDON D'ALIMENTATION.

N'UTILISEZ PAS UN ADAPTATEUR POUR BRANCHER LE RÉFRIGÉRATEUR À UNE PRISE 2 BROCHES.

N'UTILISEZ PAS DE RALLONGE AVEC CET APPAREIL.

AVERTISSEMENT



Risque de choc électrique

Branchez l'appareil sur une prise murale 3 broches dédiée reliée à la terre.

Ne retirez pas la broche de mise à la terre.

N'utilisez pas d'adaptateur.

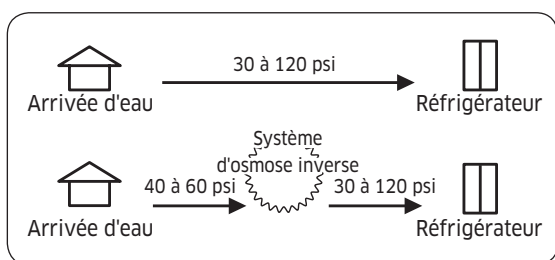
N'utilisez pas de rallonge.

Le non-respect de ces instructions peut entraîner un incendie, un choc électrique voire la mort.

Conditions relatives à la pression de l'eau

Une arrivée d'eau froide de pression comprise entre 30 et 120 psi (207 et 827 kPa) est nécessaire au bon fonctionnement du distributeur d'eau et de la machine à glaçons.

Si vous avez des questions sur votre pression d'eau, communiquez avec un plombier qualifié autorisé.



Système d'osmose inverse dans l'alimentation d'eau

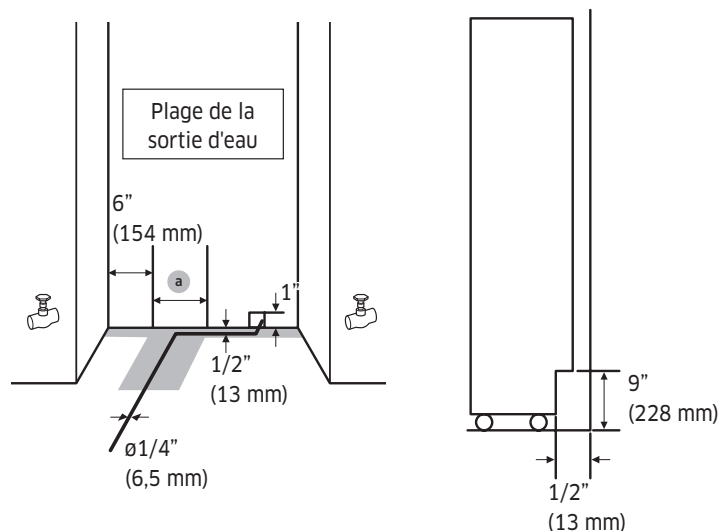
IMPORTANT : La pression de l'eau sortant d'un système d'osmose inverse et arrivant dans la vanne d'arrivée d'eau du réfrigérateur doit être comprise entre 30 et 120 psi (207 et 827 kPa).

La pression de l'eau de l'alimentation en eau froide au système d'osmose inverse doit être comprise entre 40 et 60 psi minimum (276 à 414 kPa.)

Exigences relatives à l'installation

Raccordement de l'alimentation en eau principale

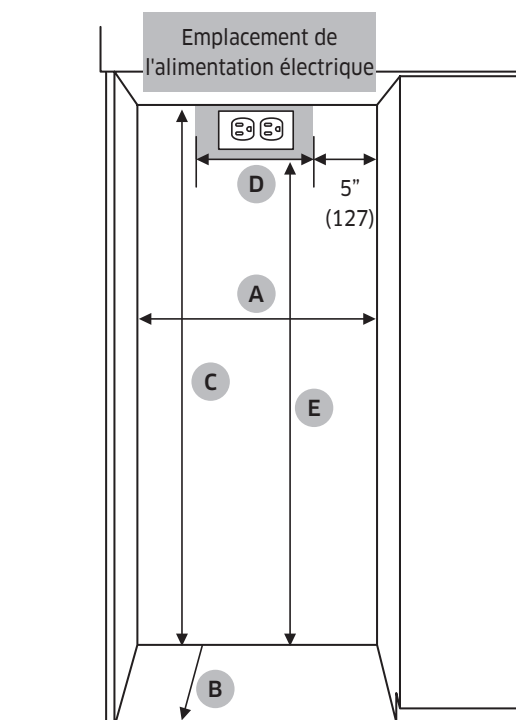
Avant de raccorder la conduite d'eau du réfrigérateur à l'alimentation en eau principale du domicile, vous devez vous familiariser à votre plomberie.



Désignation	18"	24"	30"	36"
a	3" (76 mm)	5 1/2" (140 mm)	6" (154 mm)	9" (228 mm)

- Décidez comment utiliser au mieux la plomberie Puis,
- utilisez l'arrivée d'eau principale tout en respectant les exigences suivantes :
 - L'installateur doit fournir le tuyau d'eau de 1/4" (6,5 mm) et tous les raccords.
 - Le tuyau d'eau doit être suffisamment long pour créer du mou et permettre au réfrigérateur d'être déplacé en vue du nettoyage du sol et d'une intervention technique sans devoir commencer par débrancher le tuyau d'eau.
 - Toute nouvelle installation doit satisfaire aux exigences du code de plomberie local.
 - L'arrêt d'eau doit être placé dans l'armoire de base de chaque côté du réfrigérateur ou dans un autre endroit facilement accessible.
 - Si le robinet de sectionnement est placé sur le mur derrière le réfrigérateur, il doit être incliné afin que le tuyau d'eau ne soit pas plié lorsque le réfrigérateur est poussé dans sa position finale.
 - Assurez-vous que la conduite d'alimentation en eau se trouve dans la plage indiquée sur les illustrations 1".
 - Le tuyau d'eau est positionné à 1/2" de la paroi arrière et est retiré vers l'avant le long de la zone grisée sur la figure ci-dessus. Le tuyau d'eau doit être collé au sol.

Conditions spécifiques à l'armoire



- A : Largeur de l'armoire
- B : Profondeur de l'armoire
- C : Hauteur de l'armoire
- D : Emplacement de la largeur de l'alimentation électrique
- E : Emplacement de la hauteur de l'alimentation électrique

Désignation	18"	24"	30"	36"
A	18" (457 mm)	24" (610 mm)	30" (762 mm)	36" (915 mm)
B	25" (635 mm)	25" (635 mm)	25" (635 mm)	25" (635 mm)
C	84" (2134 mm)	84" (2134 mm)	84" (2134 mm)	84" (2134 mm)
D	8" (203 mm)	14" (356 mm)	20" (508 mm)	26" (660 mm)
E	80" (2032 mm)	80" (2032 mm)	80" (2032 mm)	80" (2032 mm)

- B : inclut une épaisseur de panneau de porte standard avec 3/4".
- Une installation à l'intérieur d'une armoire de cette largeur permet à l'habillage du réfrigérateur d'être directement fixé aux armoires autour du produit.

Instructions d'installation

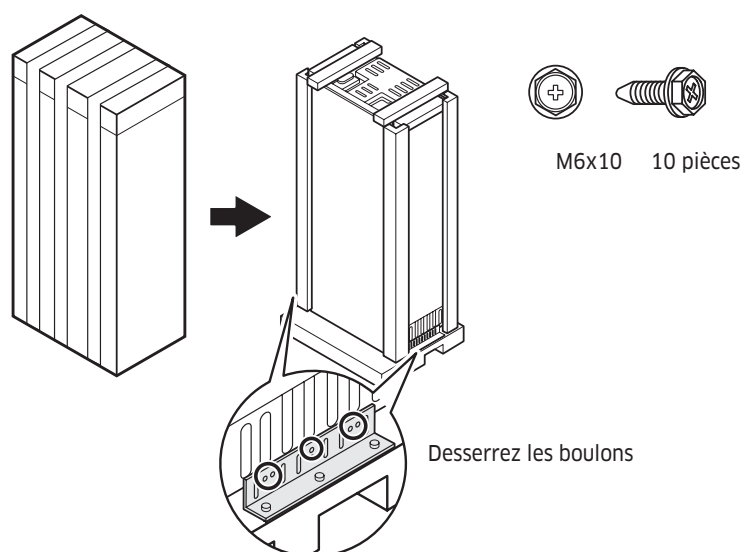
1. Déballage du réfrigérateur

Vérifiez les éventuels dommages dus au transport de l'appareil.

N'installez pas l'appareil s'il est visiblement endommagé.

En cas de doutes, contactez votre revendeur.

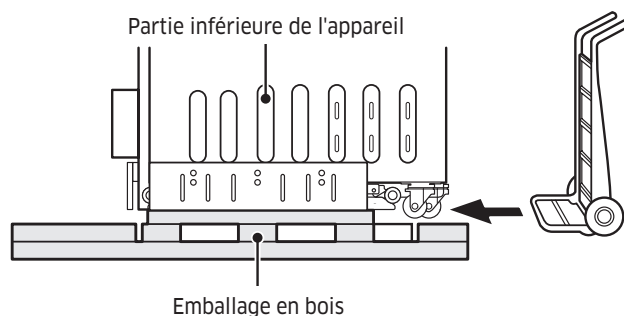
1. Retirez le cerclage en PP, le carton d'emballage, le bloc d'alimentation externe et le film en PE.
2. Retirez les fixations de la palette en dévissant les boulons (cinq par attache).



⚠ ATTENTION

Veillez à ne pas endommager l'appareil lorsque vous le déchargez de la palette.

3. Insérez le diable entre l'appareil et l'emballage en bois comme indiqué. Tout en inclinant la partie arrière de l'appareil vers le haut, déchargez-le de l'emballage en bois.



2. Déplacement du réfrigérateur

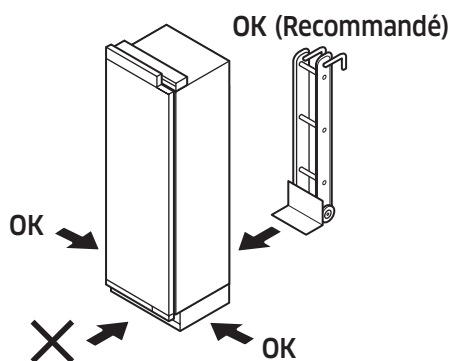
⚠ AVERTISSEMENT

L'appareil est très lourd. Lorsque vous déplacez le réfrigérateur, veillez à ne pas vous blesser ou à endommager l'appareil.

1. Utilisez un mode de transport sécurisé et adapté (un diable adapté aux appareils de préférence) et déplacez le réfrigérateur près de l'armoire d'installation.
 2. Le déplacement et l'installation de l'appareil doivent être effectués par au moins deux personnes.
 3. Veillez à ne pas endommager les sols. Les sols fragiles doivent être protégés avec du contreplaqué, des cartons épais ou d'autres matériaux similaires.
 4. Avant de déplacer le réfrigérateur, vérifiez qu'il passera bien à travers les encadrements des portes, dans les escaliers et tout obstacle.
- **RISQUE DE BASCULEMENT** : Le réfrigérateur étant grand et lourd, il peut facilement basculer s'il n'est pas bien fixé. Dans la mesure du possible, déplacez toujours le réfrigérateur en position verticale. Sinon, déplacez-le sur sa partie arrière. Protégez les encadrements des portes pour le transport.

⚠ AVERTISSEMENT

Veillez à ce que le boîtier des composants électriques ne soit pas endommagé lors de l'installation.



Instructions d'installation

3. Préparation à l'installation

Déballer les matériaux et accessoires d'installation.

Voir la section Préparation à l'installation dans le chapitre Conditions relatives à l'installation.

4. Fixation du support antibasculement

⚠ AVERTISSEMENT

Pour éviter que l'appareil ne bascule en avant, un support antibasculement doit être installé. Avant de fixer le support, assurez-vous qu'aucun câblage ou canalisation ne se trouve dans la zone de pénétration des vis. Un support est requis par appareil.

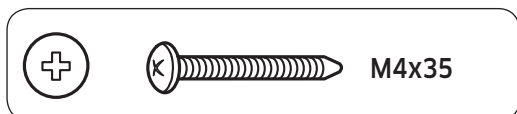
⚠ ATTENTION

Portez toujours des lunettes de sécurité et d'autres appareils ou vêtements de protection nécessaires lorsque vous installez ou travaillez avec des fixations.

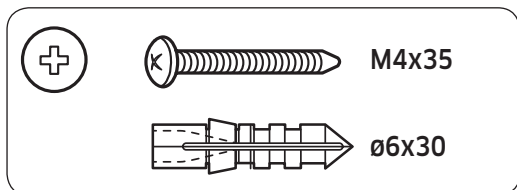
Dacor ne recommande pas de fixer le support antibasculement sur des maçonneries légères (p. ex. des blocs ou briques) ou sur du béton frais ou non traité.

Assurez-vous que le mur ou l'armoire sur lequel/laquelle les supports sont cloutés est suffisamment robuste pour supporter la charge de sécurité.

Mur en bois



Mur en béton

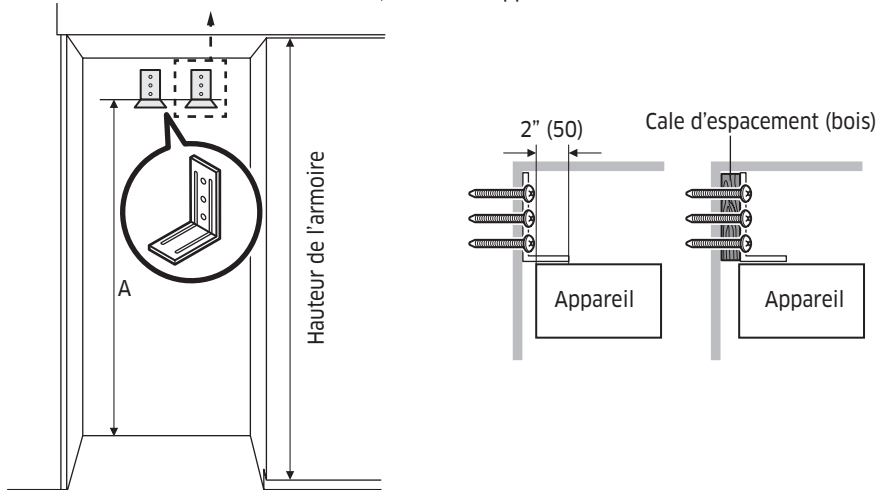


1. La hauteur du support est mesurée à partir du sol et dépend de la hauteur de l'armoire.
2. Fixez les supports antibasculement. Assurez-vous que les vis serrent fermement le support.


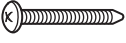



Les supports antibasculement doivent s'allonger au moins de 2" (50 mm) sur l'appareil pour le sécuriser. Si cette longueur minimale ne peut pas être respectée pour des raisons liées à la structure, l'alternative consiste à fixer une cale d'espacement (en bois) derrière l'angle antibasculement.

Pour les modèles de 36», placez 2 supports antibasculement à intervalles réguliers et fixez-les avec 3 vis par support sur un mur en bois, ou bien avec 3 vis et 3 verrous de soutien par support sur un mur en béton. Pour les autres modèles, vous pouvez utiliser un seul support antibasculement pour l'objectif visé.

Pour les modèles de 36", utilisez 2 supports antibasculement.



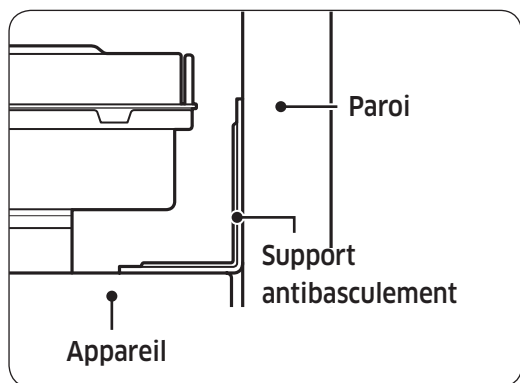
Option	Hauteur de l'armoire	A
1	83 1/2" (2121 mm)	79 1/2" (2019 mm)
2	83 3/4" (2127 mm)	79 5/8" (2023 mm)
3	84" (2134 mm)	79 7/8" (2030 mm)
4	84 1/4" (2140 mm)	80 1/8" (2036 mm)

		18"	24"	30"	36"
SUPPORT ANTIBASCULEMENT			1 pièce		2 pièces
mur en bois	  M4x35		3 pièces		6 pièces
mur en béton	  M4x35		3 pièces		6 pièces
	 ø6x30 (VERROU DE SOUTIEN)		3 pièces		6 pièces

- 3 vis/verrous de soutien par support.

Instructions d'installation

Éléments relatifs au support antibasculement

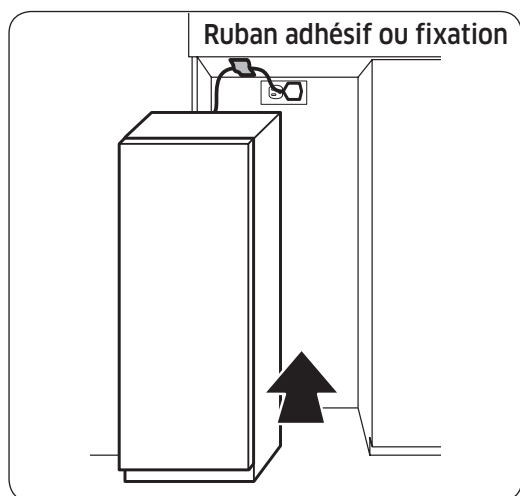


1. Positionnement du support : suivez le tableau de hauteur spécifique au meuble.
2. Vis : serrez les 3 vis sur les supports.
3. Poussez l'appareil vers le haut contre la paroi arrière du meuble.
4. Cale d'espacement : si vous utiliser la cale d'espacement, vous devez suivre les spécifications de positionnement du support (voir le tableau ci-dessus).

⚠ ATTENTION

- La hauteur de la cale d'espacement doit être calculée en fonction de la profondeur du meuble.
- La cale d'espacement doit être fixée séparément du meuble.

Lors de l'installation de l'appareil dans le meuble

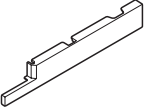

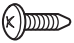
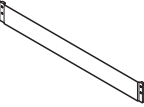

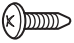


Avant de placer l'appareil dans le meuble, branchez le cordon d'alimentation. Attachez ensuite le cordon d'alimentation près de la partie avant de l'ouverture du meuble en utilisant un ruban adhésif ou une fixation telle qu'une attache, une bride etc. Après avoir placé l'appareil à l'intérieur du meuble, assurez-vous que le cordon d'alimentation est placé en haut de l'appareil (comme indiqué sur l'illustration).

5. Retrait du cache supérieur de la porte, plinthe

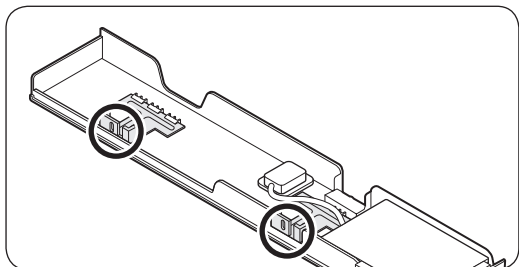
Vous devez retirer l'obturateur supérieur de la porte et la plinthe avant d'ajuster le panneau personnalisé de la porte.



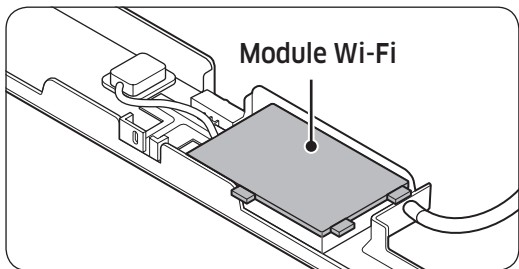
Cache supérieur de la porte		 	M5x16	4 pièces
Plinthe		 	M4x8	2 pièces

Instructions d'installation

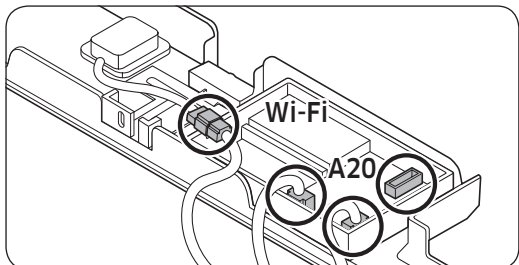
- Cache supérieur de la porte : desserrez les vis puis retirez le cache.



1. Retirez les 4 vis qui fixent le cache de la porte.

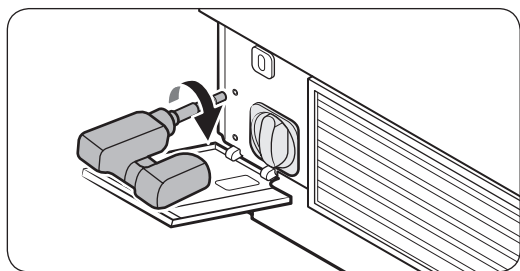


2. Retirez le cache du module Wi-Fi à l'intérieur du cache de la porte.

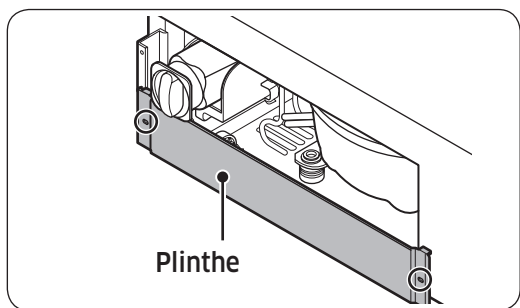


3. Débranchez les connecteurs à boîtier pour séparer le cache supérieur de la porte.

-
- Plinthe : pour une installation côte à côte, retirez le cache du grill.
Ceci ne s'applique pas aux installations autonomes.



1. Poussez le couvercle du filtre à eau pour l'ouvrir. Retirez les vis sur le côté et retirez le cache du grill.

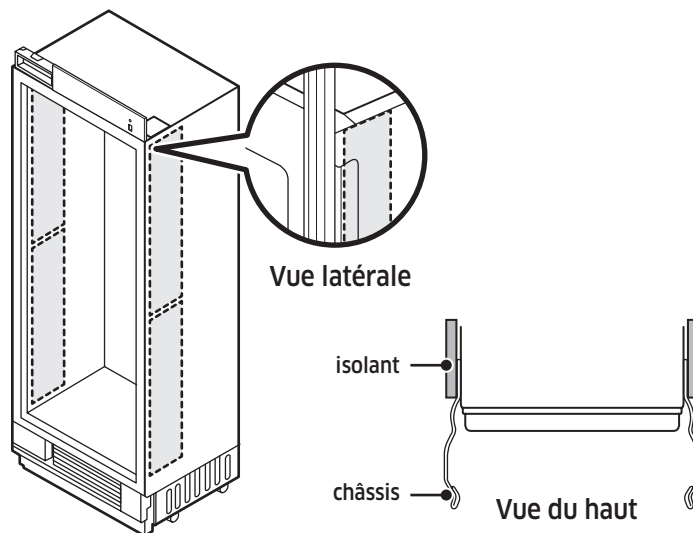


2. Retirez les vis des deux côtés et retirez la plinthe.

Instructions d'installation

6. Fixation des isolants côté congélateur ou réfrigérateur

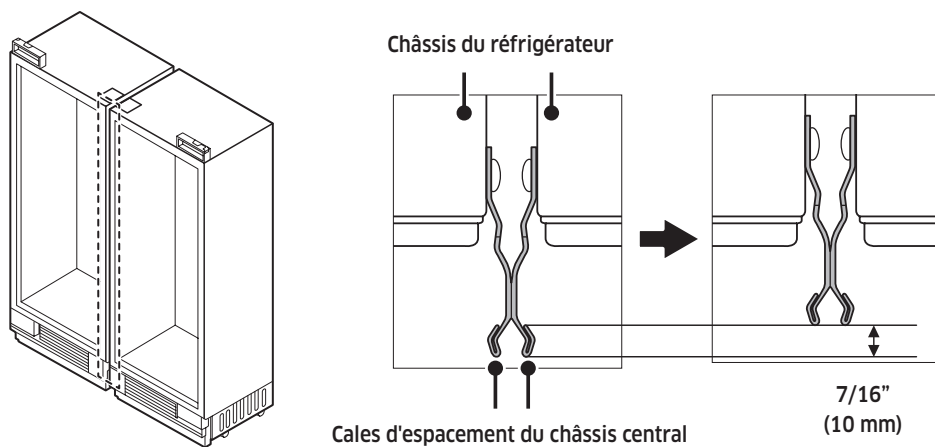
Fixez 2 isolants de chaque côté du congélateur ou du réfrigérateur comme indiqué.
Fixez les isolants en couvrant les vis sur le châssis latéral.



7. Installation côte à côte (paire)

Repositionnement des cales d'espacement du châssis central

1. Retirez la cale d'espacement du châssis central de l'ensemble.
2. Réinstallez les cales d'espacement 7/16 pouces (10 mm) dans leur position initiale (voir le schéma ci-dessous).



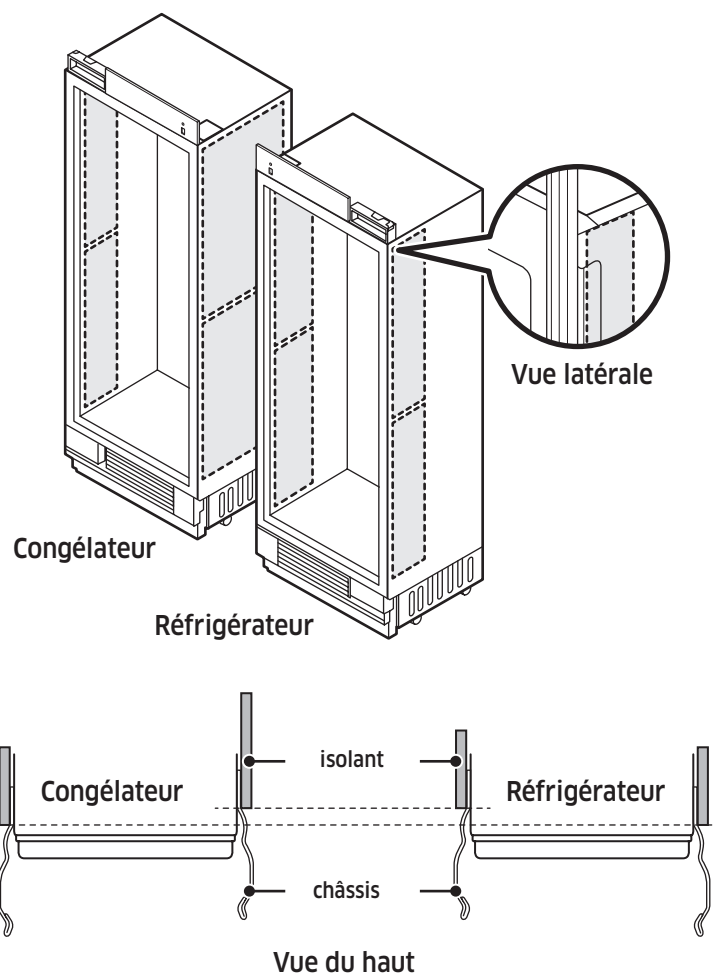
Instructions d'installation

Fixation d'un isolant

Fixez un isolant sur l'un des côtés des surfaces de contact.

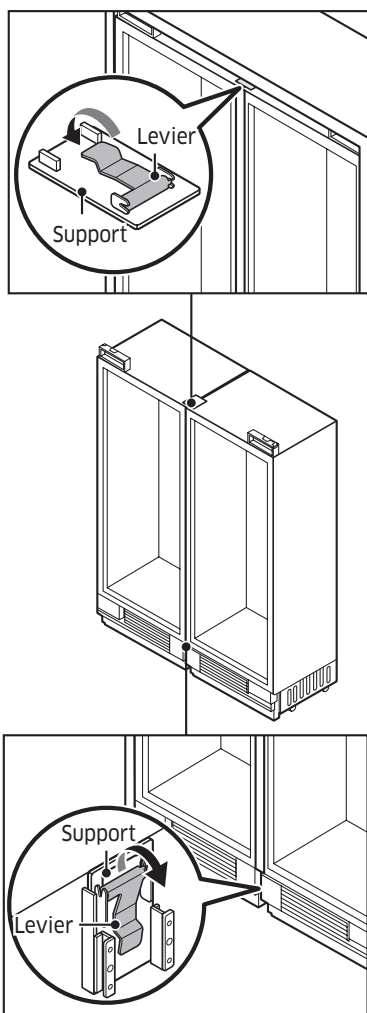
Si un réfrigérateur et un congélateur sont installés côte à côte, fixez l'isolant sur le réfrigérateur.

1. Fixez un isolant de grande taille sur l'une des surfaces de contact. Si un réfrigérateur et un congélateur sont installés côte à côte, fixez l'isolant sur le congélateur en couvrant les vis sur le châssis latéral.
2. Fixez de petits isolants sur les côtés du réfrigérateur et du congélateur, comme sur l'illustration, en couvrant les vis sur le châssis latéral.
3. Alignez l'isolant avec l'extrémité de la cale d'espacement du châssis central.



Relier les deux châssis

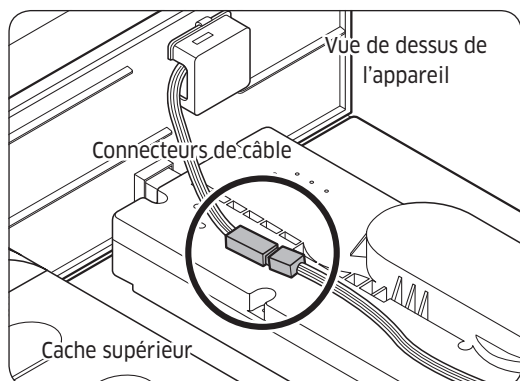
1. Établir la liaison supérieure.
 - Fixez le support rectangulaire sur les languettes qui dépassent au-dessus de chaque châssis (voir le schéma).
 - Fixez le levier pour relier les deux châssis.
2. Établir la liaison inférieure.
 - Insérez le support dans la rainure en bas des deux châssis.
 - Fixez le levier pour relier les deux châssis.



Instructions d'installation

8. Fixer le cache supérieur du réfrigérateur

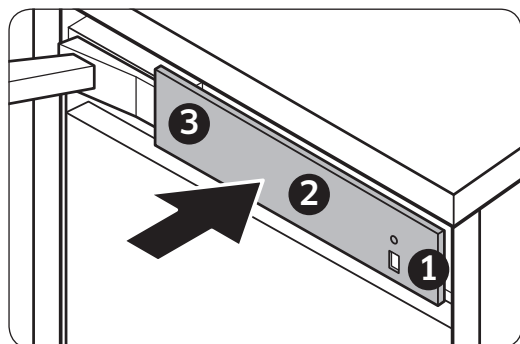
Le capteur d'intensité lumineuse est fixé sur le cache supérieur. Avant de fixer le cache supérieur, branchez d'abord le connecteur du capteur d'intensité lumineuse.



1. Branchez le connecteur du capteur d'intensité lumineuse.
Branchez les câbles des pièces électriques autour du kit d'ouverture automatique de la porte puis insérez les câbles dans le tube rectangulaire.

⚠ ATTENTION

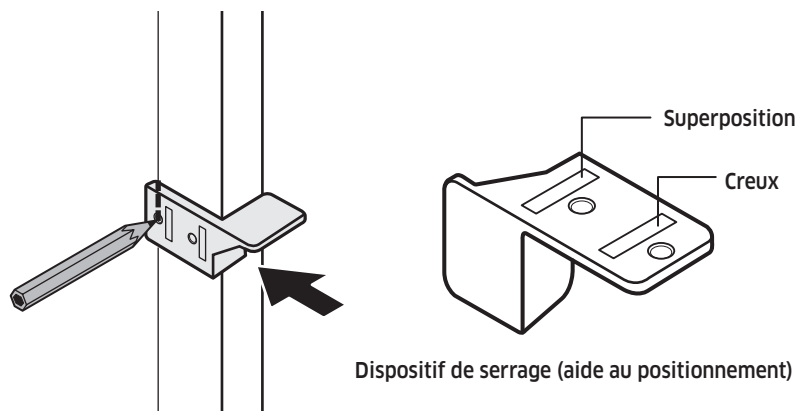
Veillez à ne pas endommager les câbles.



2. Pour fixer le cache supérieur, fixez les crochets dans l'ordre indiqué sur l'illustration.

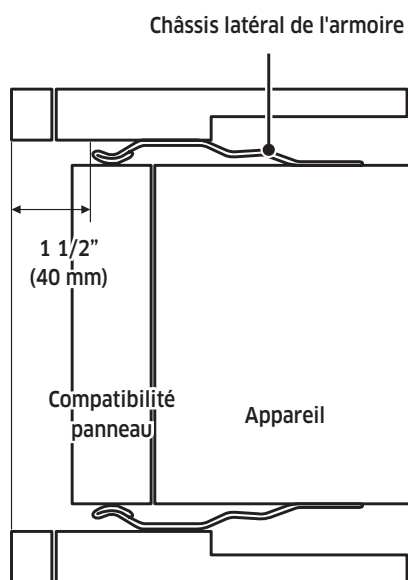
9. Placer le réfrigérateur dans son caisson

- Selon le type d'armoire, un dispositif de serrage (aide au positionnement) peut être utilisé pour aligner le panneau personnalisé de la porte du réfrigérateur avec l'armoire en traçant une ligne verticale sur l'armoire.



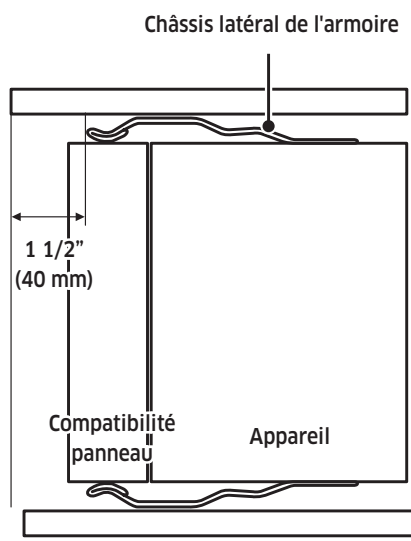
- Positionnez l'armoire côté châssis pour l'aligner avec la ligne verticale.

Type de superposition



Vue du haut

Type sans cadre



Vue du haut

Instructions d'installation

ATTENTION

Veillez à ne pas endommager la conduite d'eau et le cordon d'alimentation lorsque vous placez le réfrigérateur dans son caisson.

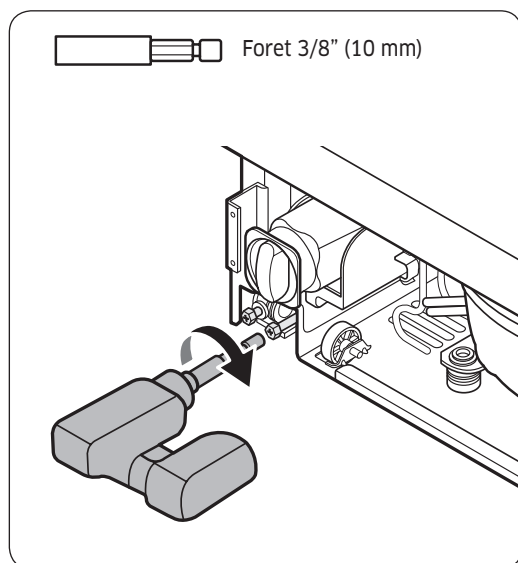
Le tuyau d'eau doit être fixé au sol avant d'être tiré vers l'avant. Placez également le cordon d'alimentation derrière l'appareil pour ne pas trébucher ou marcher dessus.

AVERTISSEMENT

Veillez à ne pas blesser les autres personnes et à ne pas endommager le réfrigérateur lorsque vous le déplacez.

1. Avant de déplacer le réfrigérateur, branchez le cordon d'alimentation.
2. Placez le carton d'emballage ou le contreplaqué le long du trajet pour protéger les sols lors du déplacement de l'appareil.
3. Placez délicatement le réfrigérateur dans son caisson.
4. Alignez le bord avant de la cale d'espacement du châssis avec la ligne verticale préalablement tracée sur l'armoire.

10. Mise à niveau du réfrigérateur



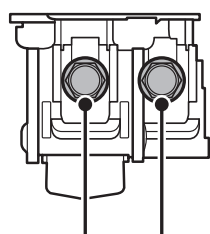
1. En utilisant votre perceuse et le foret indiqué ci-dessous, engagez chacun des arbres d'ajustement du réfrigérateur en rotation et mettez à niveau le réfrigérateur. (SH ↑, SAH ↓)
2. Ajustez l'écart entre le meuble et le cache supérieur du réfrigérateur à 1/8 pouce (3 mm).

⚠ ATTENTION

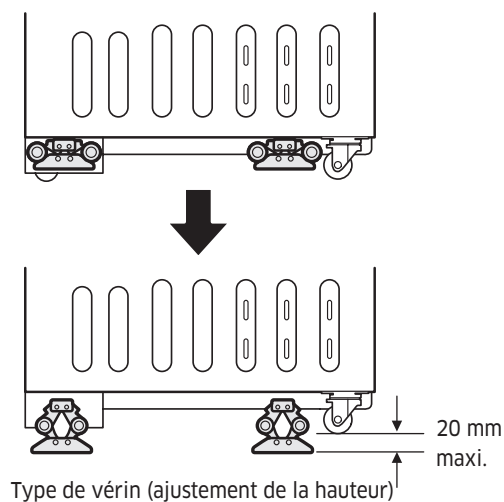
Les pieds de mise à niveau avant et arrière ont un ajustement de hauteur maximale de 3/4 pouces (20 mm).

Si une hauteur plus élevée est nécessaire, l'installateur peut lever le réfrigérateur sur une plaque de contreplaqué ou un tapis.

Lever le réfrigérateur de plus de 3/4 pouces (20 mm) endommagera les composants de mise à niveau avant et arrière.



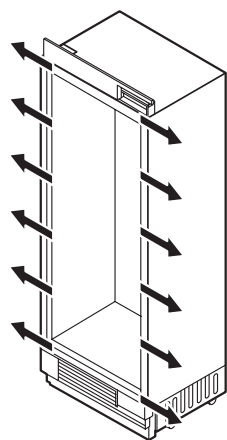
Arbre ajustable
(3/8", 10 mm)



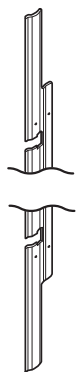
Instructions d'installation

11. Fixation du réfrigérateur

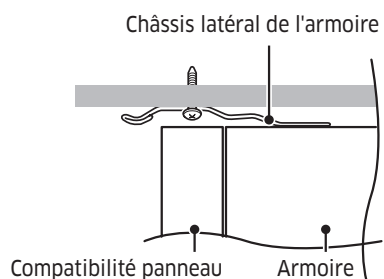
Fixez le réfrigérateur dans son caisson avec des vis (TH) M4x16 (6 vis par côté, comme indiqué sur le schéma).



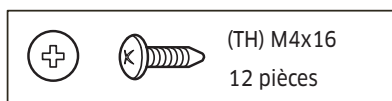
Emplacement fixe



Châssis latéral de l'armoire

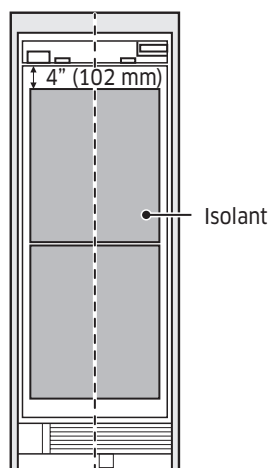


Vue du haut



12. Fixation de l'isolation du panneau avant

- Fixez l'isolation sur la partie avant de la porte du réfrigérateur. (Assurez-vous que la position de montage est correcte).
- Centrez le panneau de la porte et l'isolation comme indiqué sur le schéma.
 - Fixez l'isolation à 4 pouces (102 mm) de la partie supérieure de la porte. (Voir le schéma).

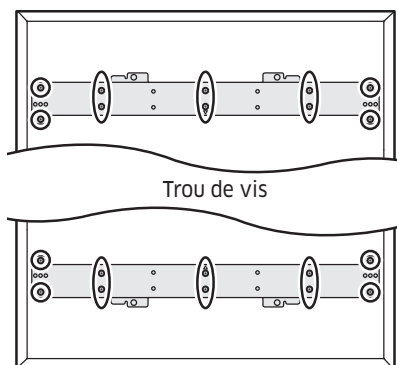


13. Fixation des supports du panneau personnalisé de la porte

Fixez les supports du panneau sur la partie supérieure et inférieure du panneau.

Panneau personnalisé : STS

Enfoncez les 10 vis sur la partie supérieure et inférieure des supports, comme indiqué sur le schéma. (Les autres trous de chaque côté du support ont une autre utilité).



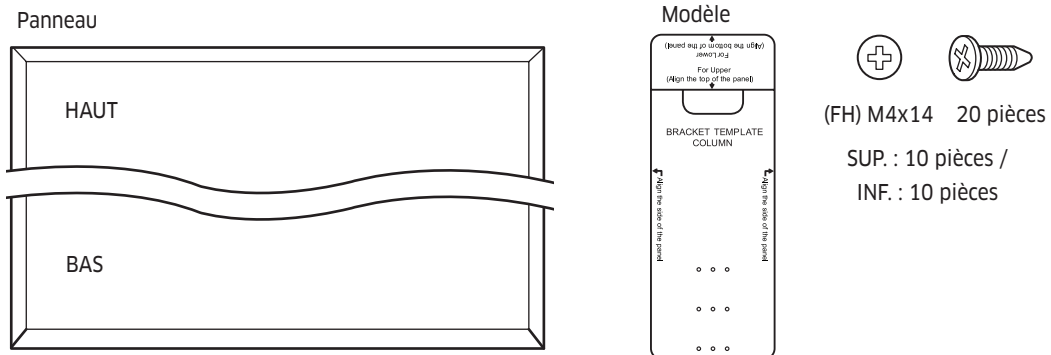
(FH) M4x14 20 pièces

SUP. : 10 pièces / INF. : 10 pièces

Instructions d'installation

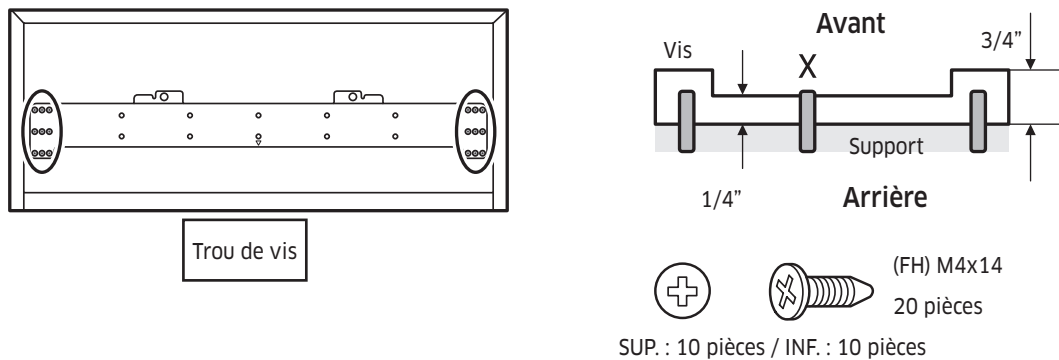
Panneau personnalisé : bois, autre

- Le modèle vous indique la position du support et des trous.
- Marquez les positions des trous de chaque coin du panneau selon le modèle et insérez les vis dans les trous.



Panneau personnalisé : arrière encastré, autre

Si le panneau ne peut pas être fixé au centre du support en raison de sa conception, utilisez les trous de vis adaptés de chaque côté du support pour fixer le panneau.

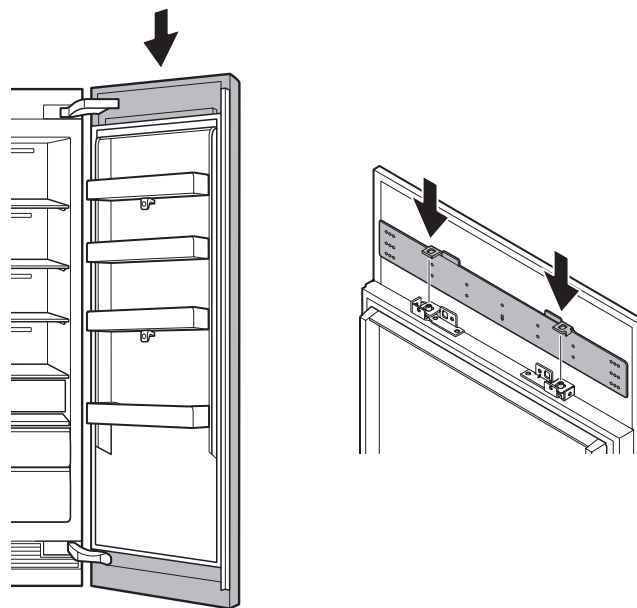


14. Fixation d'un panneau personnalisé

AVERTISSEMENT

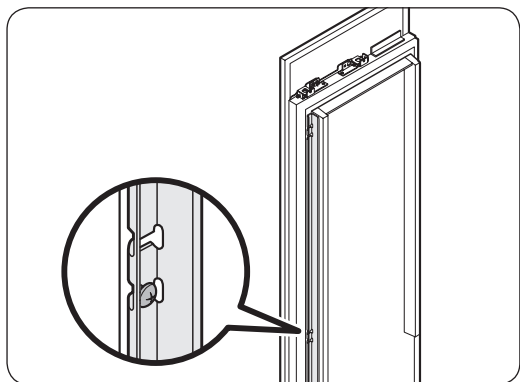
Si vous installez un panneau personnalisé avant de fixer l'appareil sur l'armoire, le panneau personnalisé peut basculer. Afin d'éviter cela, vous devez suivre les instructions d'installation

- Placez le support du panneau sur la vis d'ajustement de hauteur. (Voir le schéma).



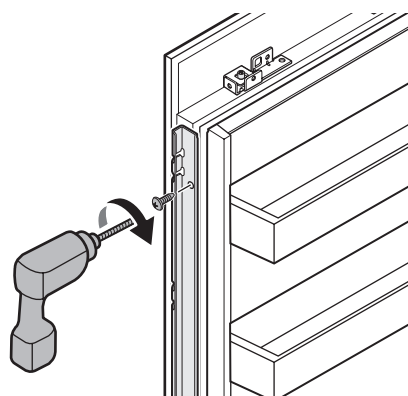
Instructions d'installation

15. Préparation du panneau pour l'ajuster

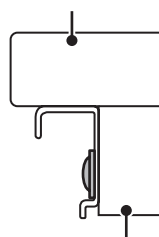


1. Fixez le panneau personnalisé temporairement sur le côté de la porte en serrant la vis au milieu du panneau.

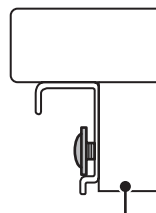
2. Desserrez les 6 vis, sans les retirer, sur le côté de la porte de façon à pouvoir ajuster le panneau personnalisé à la verticale.



Panneau personnalisé

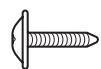


Compatibilité panneau



Support latéral

Vue du haut



(PW) M4x16

12 pièces

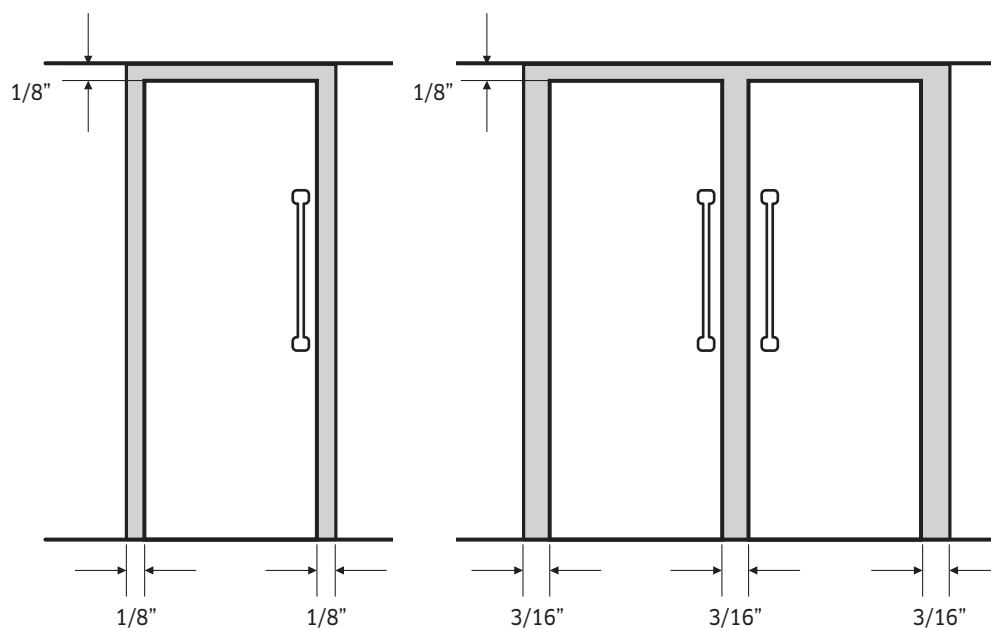
16. Alignement du panneau

Il y a deux mécanismes d'ajustement de panneau au-dessus et deux en dessous de la porte.

Ajustez le panneau de sorte qu'il soit aligné avec le meuble autour.

L'espace entre le meuble et le panneau doit être de :

- 1/8" (3 mm) en haut
- 1/8" (3 mm) sur le côté pour une installation unique
- 3/16" (4 mm) sur le côté pour une installation côte à côte



Partie supérieure de la porte

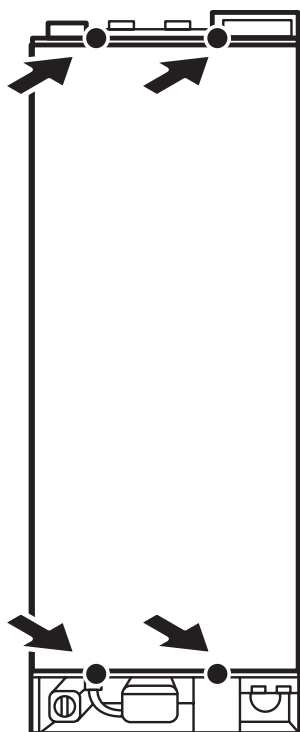
1. Utilisez les boulons à double pas pour aligner le panneau de la porte.
2. Engagez une vis de fixation latérale (voir le schéma) pour basculer le panneau de façon latérale.
3. Engagez la vis 1 (voir le schéma) pour basculer le panneau vers l'avant/arrière, engagez la vis 2 pour mettre le panneau en place.

Instructions d'installation

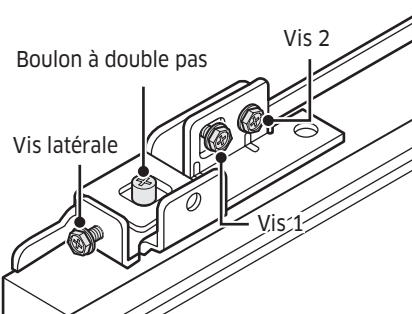
Partie inférieure de la porte

1. Engagez une vis de fixation latérale (voir le schéma) pour basculer le panneau de façon latérale.
2. Engagez la vis 1 (voir le schéma) pour basculer le panneau vers l'avant/arrière, engagez la vis 2 pour mettre le panneau en place.

● Mécanismes d'ajustement du panneau

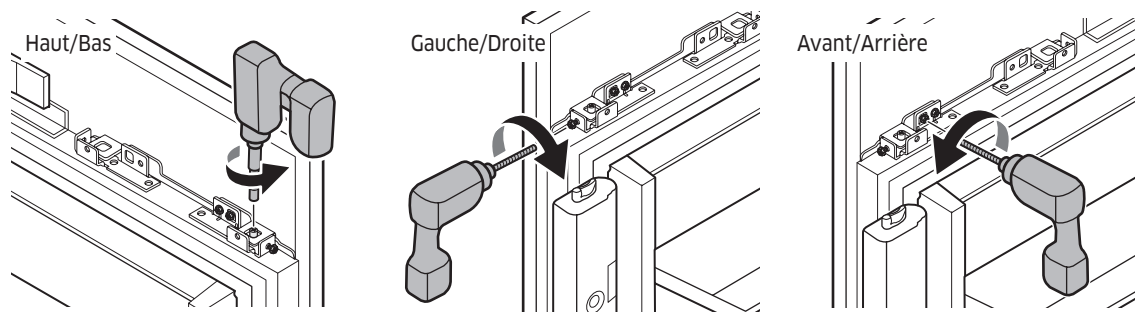


Chaque 12 vis par porte
M6x12 12 pièces

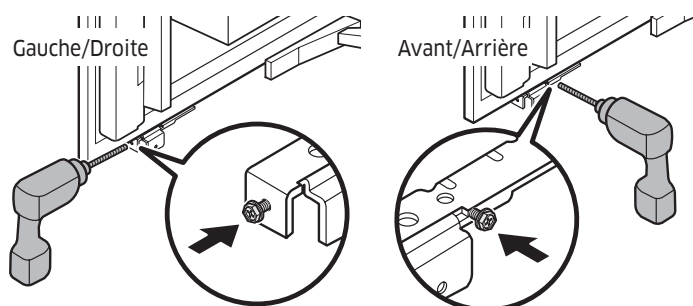


Mécanisme d'ajustement du panneau

Partie supérieure de la porte

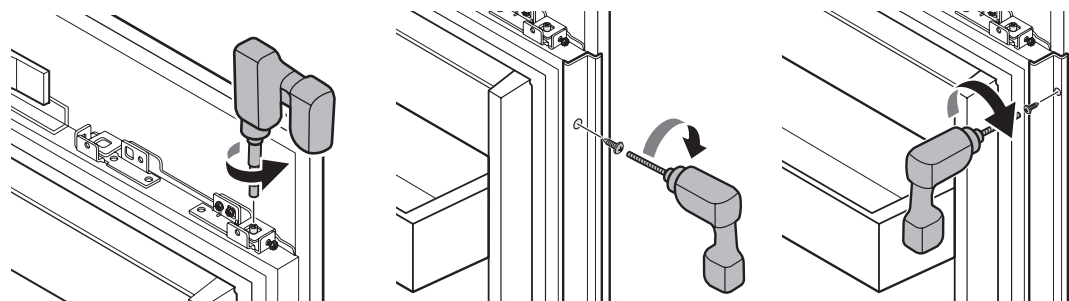


Partie inférieure de la porte



Fixation du panneau sur la porte

1. Vissez les écrous sur les boulons à double pas.
2. Fixez l'habillage latéral du panneau.



Deux écrous par ensemble
 M8

Six vis par côté
 (dans l'habillage)

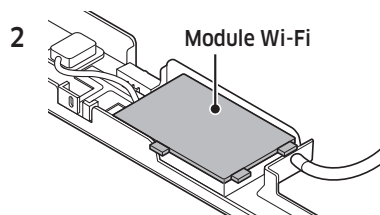
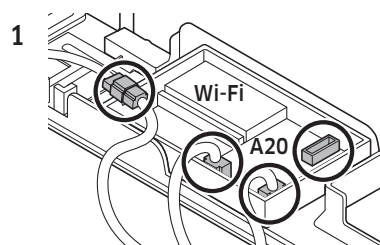
Six vis par côté
 (dans le panneau)

Instructions d'installation

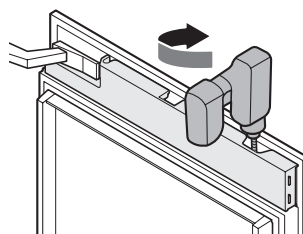
17. Fixation des caches intérieurs de la porte

Cache supérieur de la porte

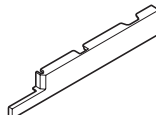
1. Reportez-vous aux figures ci-dessous et installez le boîtier sur la porte.
2. Fermez le couvercle du module Wi-Fi à l'intérieur du cache supérieur de la porte.
3. Enfoncez les vis à partir de la partie supérieure (4 vis par ensemble).



Cache supérieur de la porte



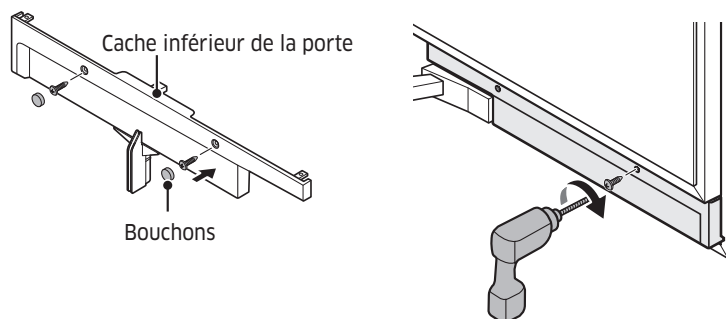
Cache supérieur de la porte



M5x16
4 pièces

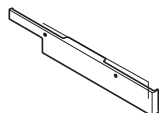
Cache inférieur de la porte

1. Fixez le guidage d'air sur le cache inférieur de la porte (2 vis par ensemble).
2. Fixez le cache inférieur de la porte en enfonçant les vis à partir de la partie avant (2 vis par ensemble).
3. Placez les bouchons sur les trous de vis.



Cache inférieur de la porte

(FH) M4x14 2 pièces



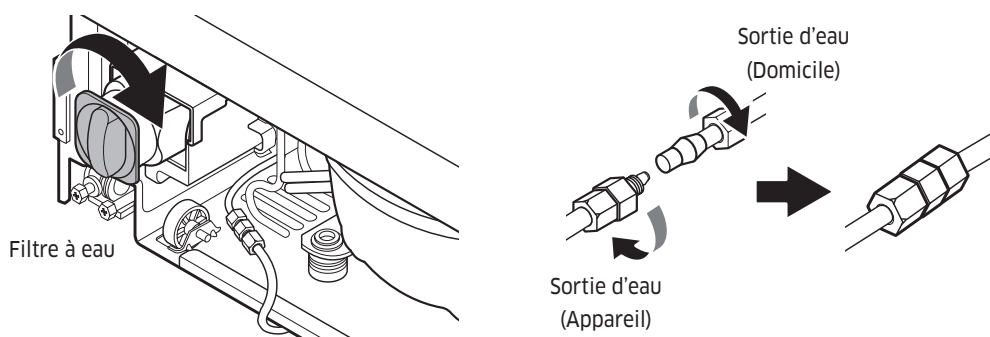
Instructions d'installation

18. Raccordement de la conduite d'eau

Afin d'éviter les fuites et dégâts des eaux, veillez à ne pas entortiller la conduite d'eau. Après avoir raccordé le tuyau d'eau au sol, ouvrez le robinet d'arrivée d'eau à l'arrière de l'appareil, vérifiez le raccordement de la conduite d'arrivée d'eau et l'absence de fuites. Vous devez acheter plusieurs éléments pour effectuer ce raccordement. Ces accessoires sont en vente sous forme de trousse dans votre magasin de bricolage local.

Tube en cuivre	<ul style="list-style-type: none">• Tube en cuivre de 1/4"• Écrou de serrage de 1/4" (1 pièce)• Bague (2 pièces)
Tube en plastique	<ul style="list-style-type: none">• Tube en plastique de 1/4" → Extrémité moulée (en forme de poire)• Écrou de serrage de 1/4" (1 pièce)

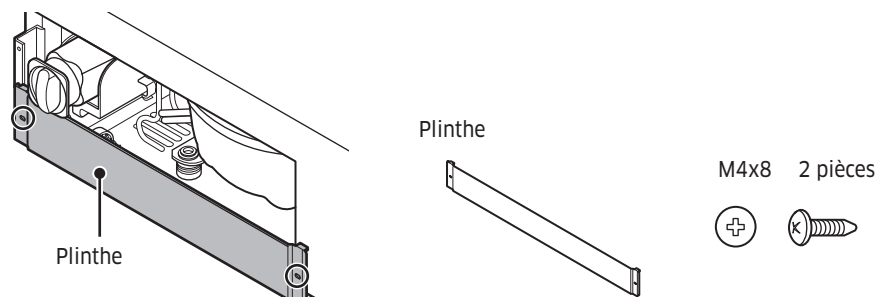
1. Retirez le bouchon du raccordement de l'appareil.
2. Courbez la conduite d'eau en fonction de l'emplacement du raccordement de l'appareil.
3. Faites glisser l'écrou-union et placez le sur la conduite d'eau.
4. Avec la clé plate, serrez l'écrou-union sans forcer.
5. Ouvrez le robinet de sectionnement et le robinet d'eau principal.
6. Vérifiez le raccordement sur le robinet de sectionnement et sur l'appareil pour détecter toute fuite éventuelle.
7. Poussez la conduite d'eau dans le tube de protection aussi loin que possible.



19. Fixation de la plinthe et de la patte (en option)

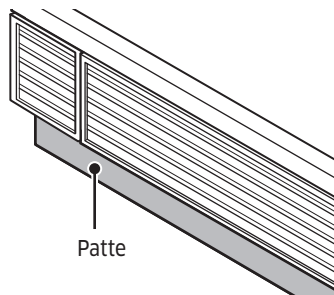
Fixation de la plinthe

- Vissez les vis des deux côtés pour fixer la plinthe.



Fixation de la patte

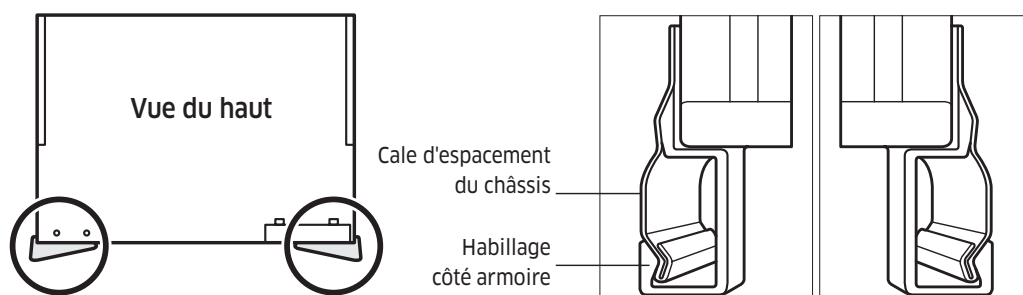
- La hauteur de l'appareil peut être ajustée entre $83 \frac{3}{8}$ " ~ $84 \frac{3}{8}$ ".
- Si vous souhaitez utiliser la patte (4") fournie par Dacor, notez que celle-ci a été conçue pour un appareil d'une hauteur de $83 \frac{7}{8}$ " et pour un meuble d'une hauteur de 84".
- Si vous souhaitez utiliser une patte non fournie par Dacor, ajustez sa hauteur en fonction.



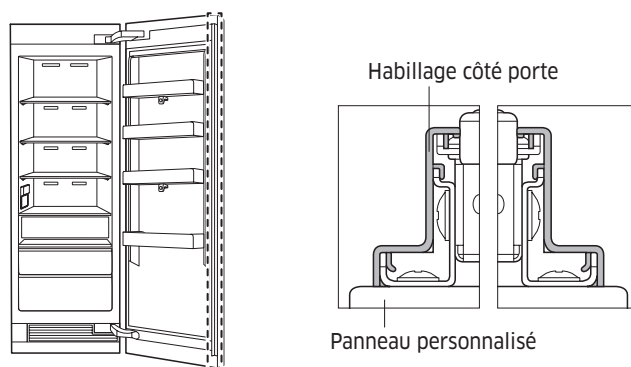
Instructions d'installation

20. Fixation de l'habillage du réfrigérateur

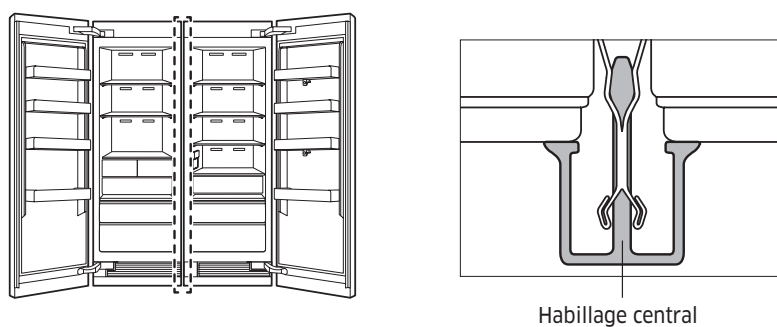
1. Habillage côté armoire : fixez l'habillage entre le réfrigérateur et l'armoire.



2. Habillage côté porte : fixez l'habillage sur le support côté porte.



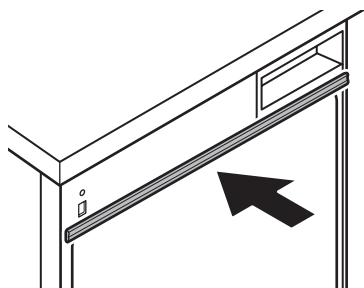
3. (Installation côte à côte uniquement) Habillage central : fixez l'habillage entre le réfrigérateur et le châssis.



21. Fixation du cache supérieur de l'habillage

Fixez le cache supérieur de l'habillage en bas du cache supérieur.

- Pour une installation côte à côte, coupez le cache supérieur de l'habillage pour adapter sa largeur avant de le fixer.



22. Retrait de l'emballage intérieur

Déballez le bloc d'alimentation externe et le ruban.

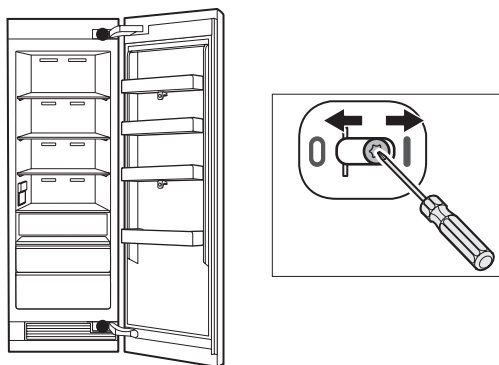
23. Ajustement du ressort de la porte

Ajustez la tension du ressort de la porte selon la taille de l'appareil.

Avec un tournevis cruciforme, tournez la vis d'ajustement.

I = tension maximale du ressort

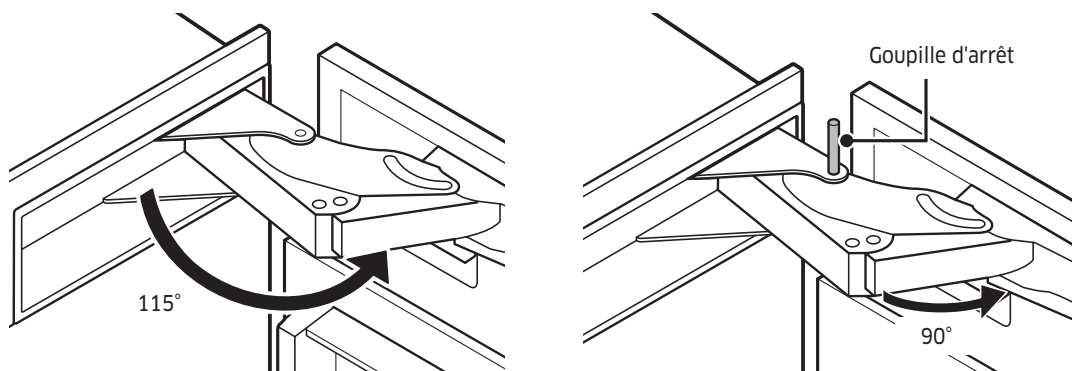
0 = aucune tension du ressort



Instructions d'installation

24. Ajustement de l'angle d'ouverture de la porte

Suite à un réglage en usine par défaut, la porte s'ouvre de 115 degrés. Vous pouvez utiliser la goupille d'arrêt pour réduire l'angle d'ouverture à 90 degrés, en fonction des conditions d'installation.



25. Nettoyage

Retirez le vinyle de protection et nettoyez le panneau personnalisé.

26. Liste de vérifications pour l'installation

Assurez-vous que le réfrigérateur fonctionne correctement et que le panneau personnalisé de la porte s'aligne avec le meuble autour.

AVERTISSEMENT

- La liste de vérifications suivante doit être complétée par l'installateur pour s'assurer que le réfrigérateur est installé correctement et de façon sécurisée, qu'il fonctionne correctement, et qu'aucune pièce n'a été oubliée au cours de l'installation.
- Il incombe au propriétaire de procéder à une bonne installation. **La bonne installation de votre appareil Dacor est essentielle et ne doit pas être négligée.**

Liste de vérifications pour l'installation

- Les éventuels dommages superficiels de l'appareil ont-ils été inspectés ?
- La conduite d'eau a-t-elle été correctement installée en conformité avec les spécifications et la recherche d'éventuelles fuites a-t-elle été effectuée ?
- L'appareil est-il correctement aligné avec les armoires adjacentes ?
- Les portes, tiroirs et clayettes fonctionnent-ils de façon fluide et sans interférences ?
- L'emballage, les rubans et autres documents ont-ils été retirés des parties internes et externes de l'appareil ?
- Le câble d'alimentation est-il branché à une prise électrique de mise à la terre à trois broches conforme aux spécifications électriques ?
- L'appareil a-t-il été correctement mis à niveau ?
- Le support antibasculement a-t-il été correctement installé ?
- Les composants du réfrigérateur fonctionnent-ils tous correctement ?
- La garantie a-t-elle été activée en ligne / la carte de garantie a-t-elle été complétée et transmise ?

Mémo

Mémo



DA68-03621B-02

dacor[®]

Dacor • 14425 Clark Avenue, City of Industry, CA 91745 • Téléphone : (800) 793-0093 • Télécopie : (626) 403-3130 • www.dacor.com





Installation Instructions

Modernist Built-In Refrigerator

DRR24/30/36*, DRZ18/24/30/36*

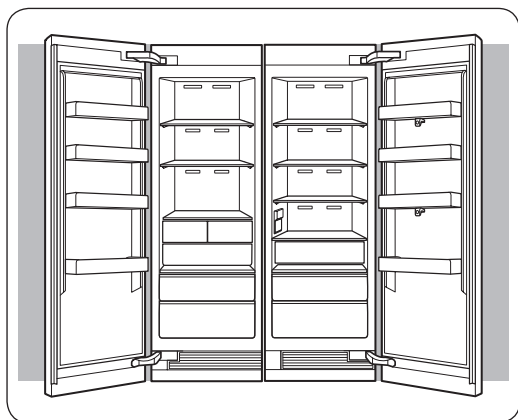
Contents

Before you begin...	4
Important	4
Customer-Service Information	5
If You Need Help...	5
Important Safety Instructions	6
State of California Proposition 65 Warning (US only)	6
General Safety Precautions	7
Safety and warning information	11
Installation safety	11
Installation Specifications	13
Installation options	14
Product Specifications	15
Custom Panel Specifications	16
Handle Specifications	17
Installation	18
Installation requirements	19
Installation preparation	19
Grounding the refrigerator	22
Water-pressure requirements	23
Connecting to the main water supply	24
Cabinet special requirements	25

Installation instructions	26
1. Uncrating the Refrigerator	26
2. Moving the Refrigerator	27
3. Installation preparation	28
4. Attaching the anti-tip-bracket	28
5. Removing Upper Door Cover, Kickplate	31
6. Attaching insulators on the side of the freezer or fridge	34
7. Side-by-side (Pair) Installation	35
8. Attaching the Refrigerator's Top Cover	38
9. Moving the Refrigerator Into Its Enclosure	39
10. Leveling the Refrigerator	41
11. Securing the Refrigerator	42
12. Attaching the Front-Panel Insulation	43
13. Attaching the Custom-Door-Panel Brackets	43
14. Hanging a Custom Panel	45
15. Preparing the Panel for Adjustment	46
16. Aligning the Panel	47
17. Attaching the Door's Interior Covers	50
18. Connecting the Water Line	52
19. Attaching kickplate and Toe kickplate (optional)	53
20. Attaching the Refrigerator Trim	54
21. Attaching Trim Top Cover	55
22. Removing the Interior Packaging	55
23. Adjusting the door spring	55
24. Adjusting the door Opening Angle	56
25. Cleaning	56
26. Installation Checklist	57

Before you begin...

Important



- The overall design and/or accessories may differ with the model.

Installer

- To promote safety and minimize problems, read this manual thoroughly before starting the installation. Leave this manual with the user.
- Write the appliance's model/serial numbers in this manual for service/maintenance reference.
- Model/serial numbers are on the data label in the refrigerator compartment.

User

- Keep this manual for personal reference and for that of inspectors, service personnel, etc.

SAVE THESE INSTRUCTIONS

Customer-Service Information

If You Need Help...

If you have questions or problems with installation, contact your Dacor® dealer or the Dacor Customer-Service team. If your Dacor appliance is under warranty, call Dacor Distinctive Service. Have the appliance's model/serial numbers available when you call. (These numbers are on the data label on the right-hand door jamb inside the refrigerator.)

Dacor Distinctive Service (repairs under warranty only)

Phone: (800) 793-0093 ex. 2822 (U.S.A. and Canada)

Monday – Friday 6:00 a.m. to 4:00 p.m. Pacific Time

Dacor Customer Service

Phone: (800) 793-0093 ex. 2813 (U.S.A. and Canada)

Monday – Friday 6:00 a.m. to 5:00 p.m. Pacific Time

Web site: www.dacor.com

All specifications are subject to change without notice. Dacor assumes no liability for changes to specifications.

© 2017 Dacor, all rights reserved.

SAVE THESE INSTRUCTIONS

Important Safety Instructions

The Important safety instructions and warnings in these instructions are not meant to cover all possible problems and conditions that can occur.

Use common sense and caution when installing, maintaining, or operating this or any other appliance.

Always contact the Dacor Customer Service Team about problems and conditions that you don't understand. See **Customer-Service Information**.

Safety symbols and labels

These alerts are meant to bring attention to important areas in the manual.

Whenever you see these symbols or labels, read the message carefully before continuing.

DANGER

Immediate hazards that **WILL** result in severe personal injury or death.

WARNING

Hazards or unsafe practices that **COULD** result in severe personal injury or death.

CAUTION

Hazards or unsafe practices that **MIGHT** result in minor personal injury or property damage.

State of California Proposition 65 Warning (US only)

WARNING : This product contains chemicals known to the State of California to cause cancer and birth defects or other reproductive harm.

SAVE THESE INSTRUCTIONS

WARNING - R600a Refrigerant

This appliance contains isobutane refrigerant, R600a, a natural gas with high environmental Compatibility. However it is also flammable. Please adhere to the warnings below :

- When handling, installing and operating the appliance, care should be taken to avoid damage to the refrigerant tubing.
- Servicing shall be performed by manufacture-authorized service personnel and component parts shall be replaced with manufacturer-authorized replacement components.
- Refrigeration products contain refrigerants, which under federal law must be removed prior to product disposal.
- Keep ventilation openings in the appliance enclosures or in the built-in structure clear of obstruction.
- In order to avoid the creation of a flammable gas-air mixture if a leak in the refrigerating circuit occurs, the size of the room in which the appliance may be sited depends on the amount of refrigerant used. The room must be 35.3 ft³ in size for every 8 g of R-600a refrigerant inside the appliance.
- The installation location should not be exposed to direct sunlight and not placed near any electric appliance or heat source, e.g. stove, oven or hob, radiator, etc.
- If you use two products side by side, for safety reason, be sure to use certified products in explosive gas atmospheres.
- Do not use mechanical devices or other means to accelerate the defrosting process.
- Do not damage refrigerant circuit.
- Do not use electrical appliances inside the food storage compartment of the appliance.

General Safety Precautions

DANGER

IMPORTANT:

To prevent child entrapment and suffocation when discarding an old appliance:

- Take off the door(s).
- Leave the racks in place so children cannot easily climb inside.
- Cut the prongs off the power plug and discard them.
- Cut the power cable off and discard it separately from the old appliance.

SAVE THESE INSTRUCTIONS

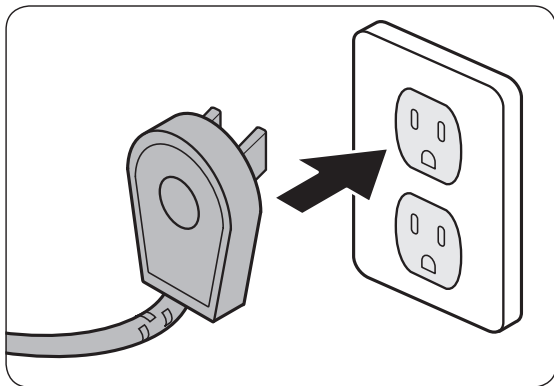
Important safety instructions

To avoid the possibility of explosion or fire, do not store or use combustible, flammable or explosive vapors and liquids (such as gasoline) inside or in the vicinity of this or any other appliance. Also keep items that could explode, such as aerosol cans away from cooktop burners, ovens and range hoods. Do not store flammable or explosive materials in adjacent cabinets or areas.

WARNING

IMPORTANT: This appliance is equipped with a three-prong grounding electric plug for protection against possible electric shock hazards. It must be plugged into a dedicated, grounded, electrical outlet. If only a two-prong electrical outlet is available, it is the responsibility of the customer to have it replaced with a dedicated, properly grounded three-prong electrical outlet.

- Do not kink or pinch the power supply cord of the appliance.
- Never unplug the appliance by pulling on the power cord.
- Always grip the plug firmly and pull straight out from the electrical outlet.
- Disconnect this appliance when not in use.
- Do not install, repair, modify, or replace any part of the appliance unless specifically recommended in the literature accompanying it.
- A qualified service technician should perform all other service.



DO NOT cut or remove the third (ground) prong from the power cord.

DO NOT use an adapter plug.

DO NOT use a power cord that is frayed or damaged.

DO NOT connect the appliance to an extension cord. Keep the power cord away from heated surfaces.

NOTE

- Use of an electrical outlet with a ground.
- Use of an electrical outlet with a ground fault interrupter (GFI) is not recommended.

SAVE THESE INSTRUCTIONS

WARNING

To reduce the risk of fire, electric shock, serious injury or death when using your appliance, follow basic safety precautions, including the following:

If you receive a damaged product, immediately contact your dealer or builder. Do not install or use a damaged appliance.

Make sure that this appliance has been properly installed according to these installation instructions.

Make sure Install outlet locations according to electric supply location.

Refrigeration equipment and refrigerants must be properly disposed of in a professional and appropriate way, in accordance with the current local regulations and laws which protect the environment. This applies to your old appliance and to your new unit once it has reached the end of its service life. DO NOT dispose of the appliance in a landfill or with urban waste. Contact local waste disposal centers for information on how to dispose of recyclable waste.

Take care when handling, moving, using or disposing of the appliance to avoid damaging the refrigeration system.

Do not install or use outdoors or in wet conditions. This appliance is not designed for installation in a recreational vehicle or boat.

Keep packaging materials away from children. Plastic sheets and bags can cause suffocation.

Connect this appliance to a 115 V, 15 A. circuit that is controlled by a circuit breaker or fuse. This appliance should have its own separate grounded circuit.

Do not kink or pinch the power supply cord of the appliance. Never unplug the appliance by pulling on the power cord. Always grip the plug firmly and pull straight out from the electrical outlet.

Disconnect this appliance when not in use.

Do not install, repair, modify, or replace any part of the appliance unless specifically recommended in the literature accompanying it. A qualified service technician should perform all other service.

Before performing any type of service, switch power off at the circuit breaker panel.

SAVE THESE INSTRUCTIONS

Important safety instructions

This appliance is not intended for use by persons (including children) with reduced physical, sensory abilities, or lack of experience and knowledge, unless they are properly supervised by a person responsible for their safety. Children must be supervised for their safety.

Never allow anyone, including children to sit, stand or climb on any part of the appliance, including the door. Doing so may cause damage, serious injury or death.

If the power cord is damaged, it must be replaced by the manufacturer or a qualified service technician in order to avoid a safety hazard. Do not tamper with the controls.

Clean this appliance regularly as instructed in the Care and Cleaning section of the User manual. Clean the ice bucket or drawer regularly.

When the freezer is functioning, do not touch the inner stainless steel surfaces with wet or damp hands, since skin may stick to the very cold surfaces.

Do not use any type of electrical equipment inside the refrigerator or freezer compartments.

Do not obstruct any of the vents or openings on the appliance.

To avoid risk of the appliance tipping over it is mandatory to secure the appliance to the wall by means of the two supplied anti-tip brackets.

Use this appliance only for its intended purpose: the storage of food and beverages . It is not intended for commercial or industrial use.

Be careful when installing electrical component box is damaged or not by the shock departure.

Open and hold the handle when opening and closing the door.

When you open and close the door, be careful not to put your hands in the doorway.

SAVE THESE INSTRUCTIONS

Safety and warning information

Installation safety

Location and installation safety

WARNING

- Before installing the refrigerator, connect it to a power outlet and turn the refrigerator ON to make sure the refrigerator is working.
- Choose a location away from the heat of a heater, boiler, or direct sunlight.
- Install the unit where air flows freely and where the refrigerator is well ventilated.
- Install the unit so that air flows unobstructed through the front air grill. If the air circulation is not ensured, it may interfere with the normal functioning of the product.
- Outside animals (rodents) can chew on the power cord and cause a fire; therefore, install the unit where there is no access to animals.
- If the cabinet is made of soft material (ex: plaster, etc.), it can have a weak structure and be damaged. Therefore, use a cabinet made of sturdy, strong material.
- Install the refrigerator with a team of at least 2 people.
- Refer to the dimensions of the cabinet and prepare the cabinet with good air circulation.
- Use cabinet that will not warp from product heat emissions or humidity from the opening and closing of the refrigerator.

NOTE

This refrigerator is a “built-in” style refrigerator, meaning that the refrigerator requires installation inside a recess in existing kitchen cabinetry.

Before moving the refrigerator, clear the route to the location where it will be installed.

Check all product dimensions and the tipping radius with any doorways, hallways, stairs, corners, etc., to ensure a clear passageway.

WARNING



Tip Hazard

This appliance is relatively heavy on the top and prone to tip over when not securely installed.

Keep doors taped closed until refrigerator is in its final position and ready to be secured in place.

Use two or more people to move and install refrigerator.

Failure to do so can result in death or serious injury.

Safety and warning information

 **DANGER**



Explosion Risk

Keep flammable materials and vapors - such as gasoline - away from the refrigerator.
Failure to do so can result in death, explosion, or fire.

Installation Specifications

WARNING

Observe all governing codes and ordinances during planning and installation. Contact your local building department for further information.

WARNING

Electrical and grounding connections must comply with the applicable portions of the national electrical code and/or other local electrical codes.

This appliance comes with an electrical cord with a three-prong grounding plug for a 115 Vac, 15 Amp. power supply. Plug it into a 115 Vac, three-prong, grounding electrical outlet only.

Unless a whole house **filtration system** is installed, the provided water filter cartridge, should be installed according to the User manual.

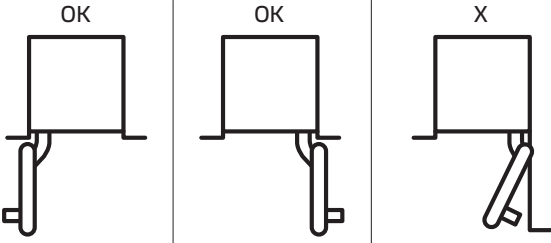
Turn OFF the **ice maker** using the **ICE** key whenever the water supply valve is turned off. The **ICE** key is lit when the ice maker is on.

The appliance features a lighting system with high intensity LED lamps. Do not stare into these lamps when they are on to avoid possible eyesight damage.

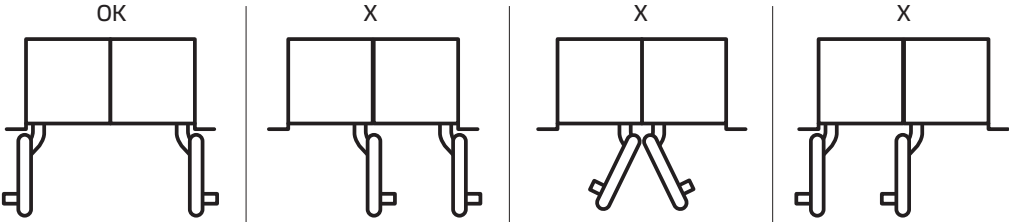
Installation options

There are many different installation options.
These are limited only by the design of the kitchen.

Individual appliance

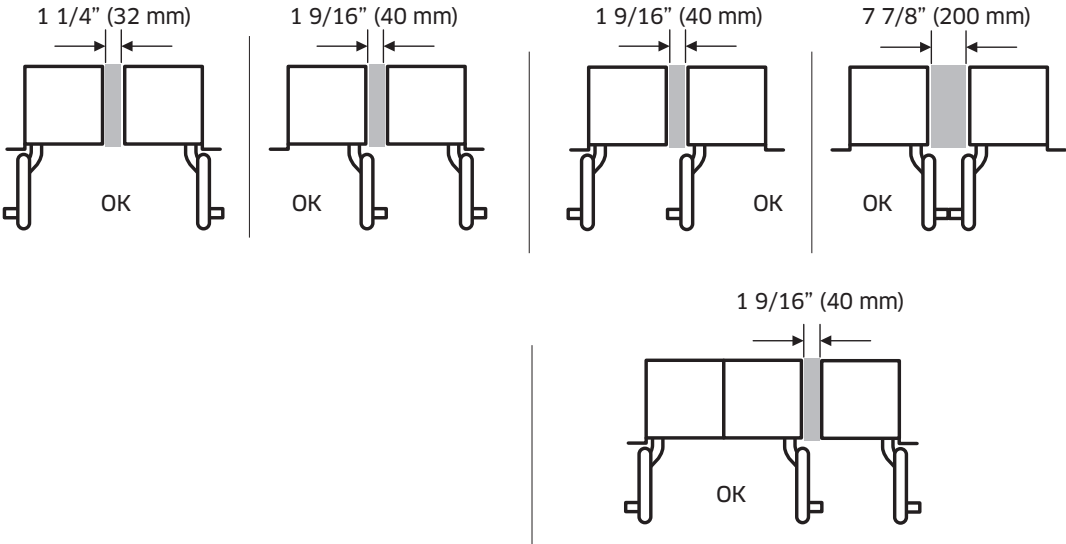


Side-by-Side (Pair)

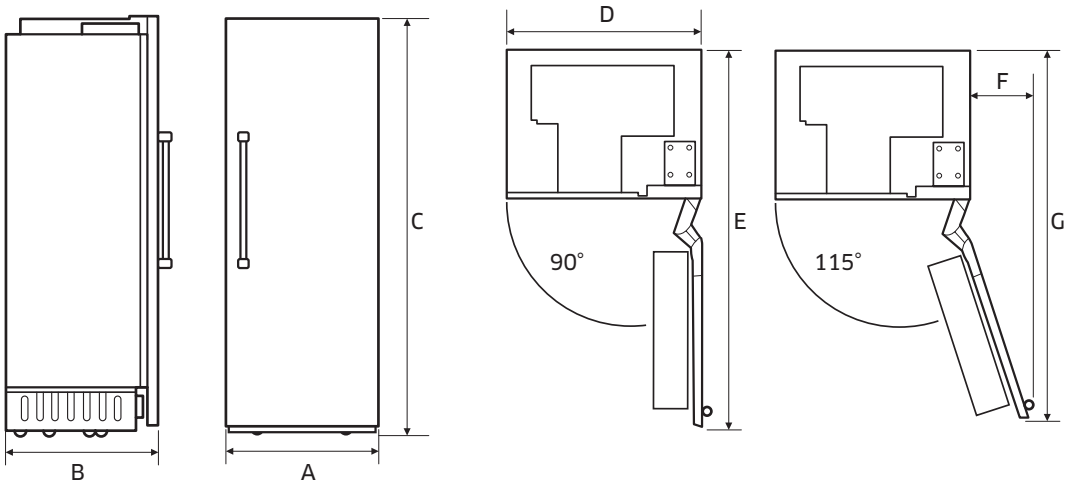


Individual appliances with partition

Minimum thickness of the partition 5/8" (16 mm)



Product Specifications



Callout	18"	24"	30"	36"
A	17 3/4" (451 mm)	23 3/4" (603 mm)	29 3/4" (756 mm)	35 3/4" (908 mm)
B	25" (635 mm)			
C	83 3/8" (2118 mm)			
D	17 5/8" (447 mm)	23 5/8" (600 mm)	29 5/8" (752 mm)	35 5/8" (905 mm)
E	44 3/4" (1136 mm)	50 3/4" (1289 mm)	56 11/16" (1440 mm)	62 7/8" (1597 mm)
F	11 13/16" (275 mm)	13 11/16" (348 mm)	16 9/16" (421 mm)	20 9/16" (496 mm)
G	43 7/8" (1114 mm)	49 11/16" (1261 mm)	55 5/16" (1404 mm)	61 5/16" (1556 mm)

Product Specifications

Custom Panel Specifications

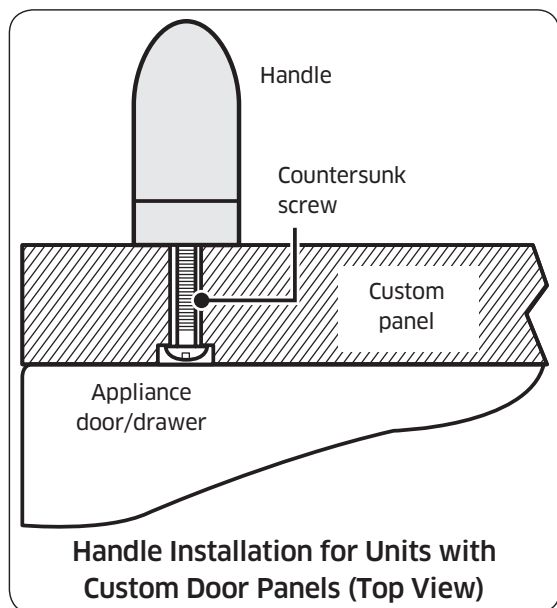
Do not exceed the max load that the custom panel can endure. Before crafting the panel, check the strength of the panel's material and the load of attachments to the panel.

	18"	24"	30"	36"
Custom Panel Maximum Weight (included handle)	132 lb (60 kg)	110 lb (50 kg)	88 lb (40 kg)	66 lb (30 kg)

NOTE

- Custom Panel Maximum Weight (included handle) = Limit load of Hinge (242 lb) - Weight of door and load.
- Custom panel thickness is 3/4" (19mm).

Handle Specifications



Before installing the custom panels, you must first install the door/drawer handles. With custom panel models, you have the advantage of being able to select a handle style that meets your own personal taste. Handles are not provided with custom panel models. Selected handle kits are available through your Dacor dealer. Dacor does not advise the use of single pull knobs.

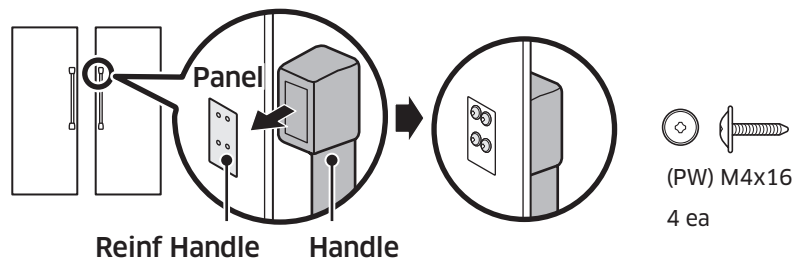
Most handle kits do not include the necessary mounting screws because screw length varies with panel thickness. The panel craftsman needs to select and purchase the required fasteners for the installation. The screw heads must be countersunk into the panel to prevent interference during depth adjustment.

Attach the Dacor-provided handle

WARNING

Follow these instructions to attach the Dacor-provided handle. Otherwise, the handle may be damaged or malfunction.

1. Put the reinforced handle support on the rear of the door panel, and then put the handle on the front of the door panel.
2. As shown, tighten the 4 screws on each of the upper and the lower sides of the handle. Do not tighten them excessively.



Installation

WARNING

Do not install the appliance:

- outdoors,
- in an environment with dripping water.

Appliance is very heavy :

Refrigerator 24" approx. 377 lb/171 kg

Refrigerator 30" approx. 472 lb/214 kg

Refrigerator 36" approx. 567 lb/257 kg

Freezer 18" approx. 289 lb/131 kg

Freezer 24" approx. 386 lb/175 kg

Freezer 30" approx. 483 lb/219 kg

Freezer 36" approx. 580 lb/263 kg

Installation room

The appliance should be installed in a dry, ventilated room.

Secure installation

The appliance is very heavy and has a tendency to tilt forwards when the appliance door is opened.

Do not open the door until there is no possibility of the appliance tipping over.

The most secure way to install the appliance is to use the supplied anti-tipping devices.

Floor

The subsurface must be level and even in order to ensure that the appliance is securely installed and works correctly.

The subsurface must be made from a hard, non-flexible material to cover the weight of appliance.

Aligning the appliance

To ensure that the appliance functions correctly, it must be levelled properly.

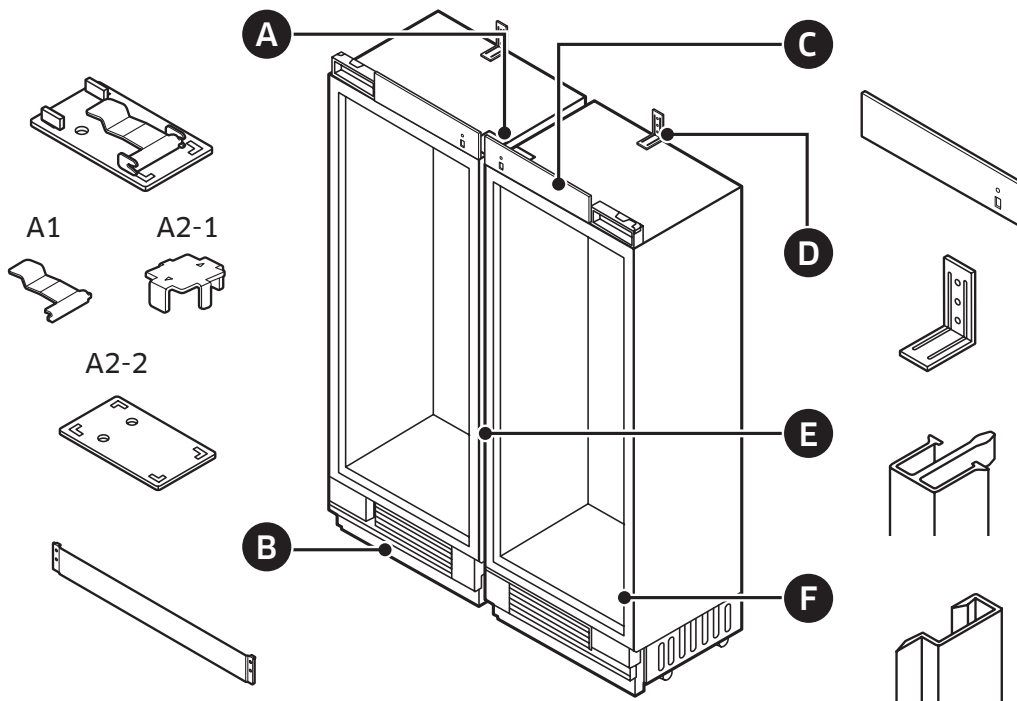
If the appliance is not level, water may flow out of the ice maker, ice cubes may be irregular or the doors may not close properly.

Installation requirements

Installation preparation

Cabinet installation parts

Using the table on next page, verify that all installation parts are present as you unpack the appliance.



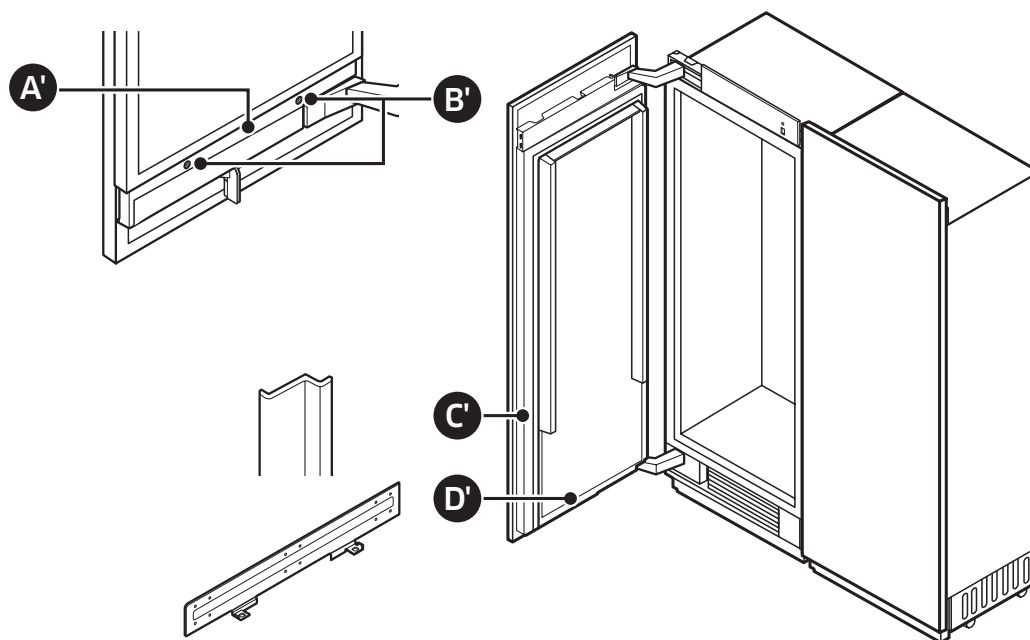
Check the installation parts when unpacking.

PARTS		SINGLE-INSTALLATION	PAIR-INSTALLATION	
A	A1	LEVER	-	2
	A2-1	LOWER PLATE	-	1
	A2-2	UPPER PLATE	-	1
B	KICKPLATE	1	2	
C	Refrigerator Top Cover	1	2	
D	ANTI-TIP BRACKET	18", 24", 30" : 1 36" : 2	18", 24", 30" : 2 36" : 4	
E	CENTER TRIM	-	1	
F	CABINET SIDE TRIM	2	2	

Installation requirements

Door installation parts






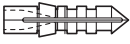
Using the table below, verify that all door-installation parts are present as you unpack the appliance.




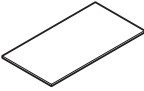
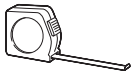


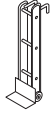

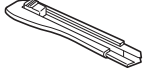


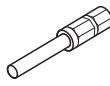
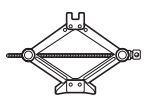
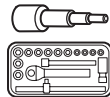

Check the installation parts when unpacking.

PARTS		SINGLE-INSTALLATION	PAIR-INSTALLATION
A'	LOWER DOOR CAP	1	2
B'	CAP	2	4
C'	DOOR SIDE TRIM	2	4
D'	PANEL BRACKET	2	4

Screw and Nut

	M6x12	12 ea		(FH) M4x14	22 ea
	(TH) M4x16	24 ea		M4x35	3 ea (36": 6 ea)
	M8	2 ea		ø6x30	3 ea (36": 6 ea)

Tools required

NO	Tool		NO	Tool	
1		Electric Screwdriver	8		Protective Floor Mat
2		Measuring Tape	9		Stepladder
3		Flat/Slot Head Screwdriver	10		Appliance Dolly
4		Cutter (Scissors)	11		Cutter
5		Adjustable Wrench	12		Level
6		Phillips Head Screwdriver	13		Jack
7		Ratchet	14		Combination Wrench
		3/8" (10 mm), 1/2" (13 mm)			3/8" (10 mm), 1/2" (13 mm)

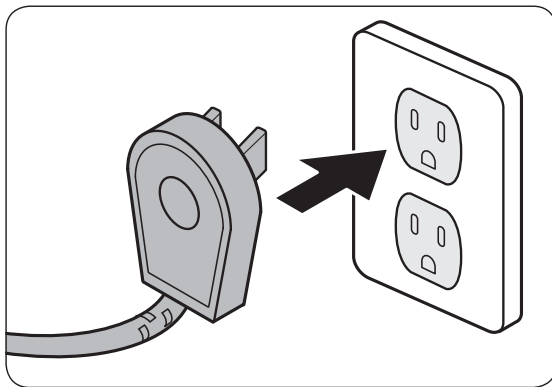
Installation requirements

Grounding the refrigerator

CAUTION

Electrical and grounding connections must comply with the applicable portions of the national electrical code and/or other local electrical codes.

This appliance comes with an electrical cord with a three-prong grounding plug for a 115 Vac, 15 Amp. power supply. Plug it into a 115 Vac, three-prong, grounding electrical outlet only.



DO NOT, UNDER ANY CIRCUMSTANCES, CUT OR REMOVE THE THIRD (GROUND) PRONG FROM THE POWER CORD.

DO NOT USE AN ADAPTER PLUG TO CONNECT THE REFRIGERATOR TO A 2-PRONG OUTLET.

DO NOT USE AN EXTENSION CORD WITH THIS APPLIANCE.

WARNING



Electric Shock Hazard

Plug into a grounded, dedicated 3-prong outlet.

Do not remove the ground prong.

Do not use an adapter.

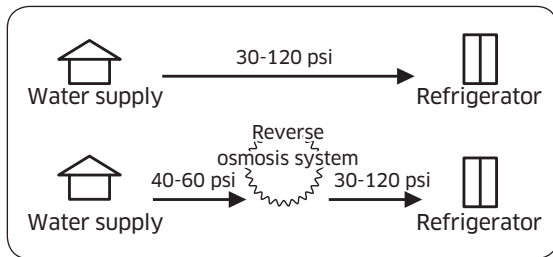
Do not use an extension cord.

Failure to follow these instructions can result in death, fire, or electric shock.

Water-pressure requirements

A cold water supply with water pressure from 30 to 120 psi (207 to 827 kPa) is required to operate the water dispenser and ice maker.

If you have questions about your water pressure, call a licensed, qualified plumber.



Reverse osmosis system in the water supply

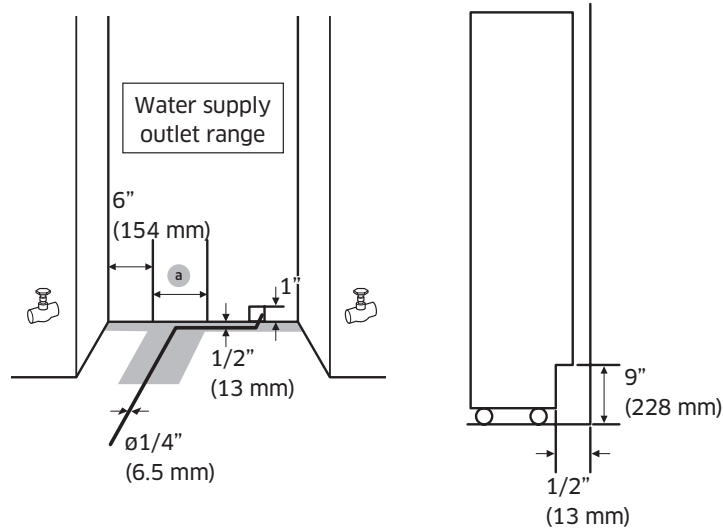
IMPORTANT: The pressure of the water supply leaving a reverse osmosis system going to the refrigerator's water inlet valve must be from 30 to 120 psi (207 to 827 kPa).

The water pressure from the cold water supply to the reverse osmosis system needs to be a minimum of 40 to 60 psi (276 to 414 kPa).

Installation requirements

Connecting to the main water supply

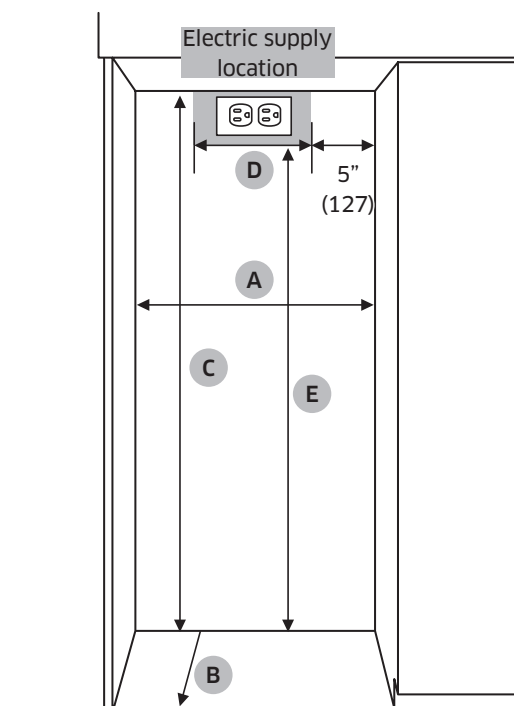
Before connecting the refrigerator's water line to the house's main water supply, you need to familiarize yourself with the house's plumbing layout.



Callout	18"	24"	30"	36"
a	3" (76 mm)	5 1/2" (140 mm)	6" (154 mm)	9" (228 mm)

- Decide how best to use the plumbing layout. Then
- Tap into the main water line while following these requirements:
 - The installer must provide the 1/4-in (6.5 mm) water line and all fittings.
 - The water line must be long enough to provide slack to allow the refrigerator to be moved for floor cleaning and servicing, without the need to first disconnect the water line.
 - All new installations must meet local plumbing code requirements.
 - The water shutoff should be placed in the base cabinet on either side of the refrigerator or in some other easily accessible area.
 - If the water shut-off valve is placed in the back wall behind the refrigerator, it must be at an angle so that the water line is not kinked when the refrigerator is pushed into its final position.
 - Make sure the water supply pipe is within the range shown in the 1" illustrations.
 - The water hose is positioned within 1/2" from the back wall, and is withdrawn to the front along the gray-colored area in the figure above. The water hose must be taped on the floor.

Cabinet special requirements



- A : Cabinet Width
- B : Cabinet Depth
- C : Cabinet Height
- D : Electrical supply width location
- E : Electrical supply height location

Callout	18"	24"	30"	36"
A	18" (457 mm)	24" (610 mm)	30" (762 mm)	36" (915 mm)
B	25" (635 mm)	25" (635 mm)	25" (635 mm)	25" (635 mm)
C	84" (2134 mm)	84" (2134 mm)	84" (2134 mm)	84" (2134 mm)
D	8" (203 mm)	14" (356 mm)	20" (508 mm)	26" (660 mm)
E	80" (2032 mm)	80" (2032 mm)	80" (2032 mm)	80" (2032 mm)

- B : Includes the standard door panel thickness with 3/4".
- Installation inside a cabinet of this width allows the refrigerator trim to be attached directly to the surrounding cabinets.

Installation instructions

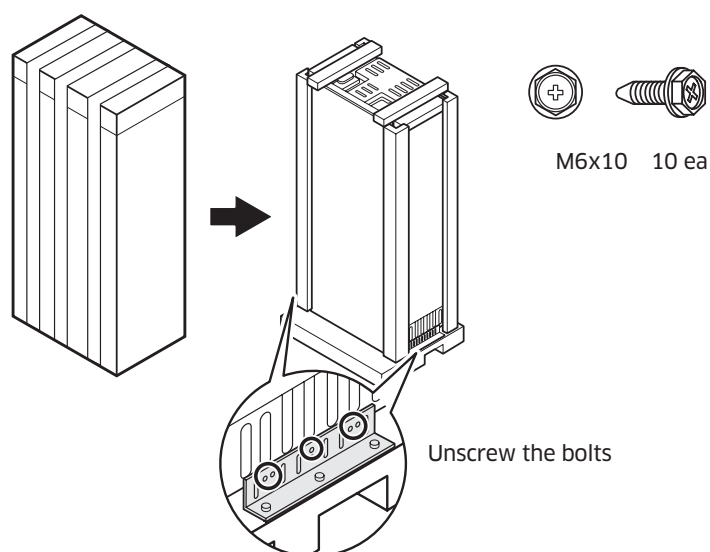
1. Uncrating the Refrigerator

Check the appliance for transit damage.

Do not install the appliance if it is visibly damaged.

If in doubt, contact your dealer.

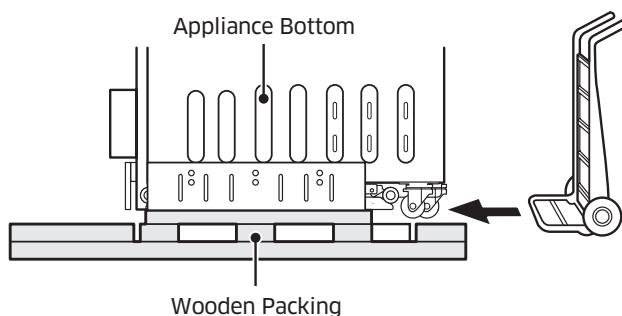
1. Remove the PP-banding, cardboard crate, EPS, and Pe-bag.
2. Remove the brackets from the pallet by unscrewing the bolts (five per bracket).



⚠ CAUTION

Use caution not to damage the appliance when unloading it from the pallet.

3. As shown, insert the hand truck between the appliance and the wooden packing. While tilting the appliance up to the rear, unload it from the wooden packing.



2. Moving the Refrigerator

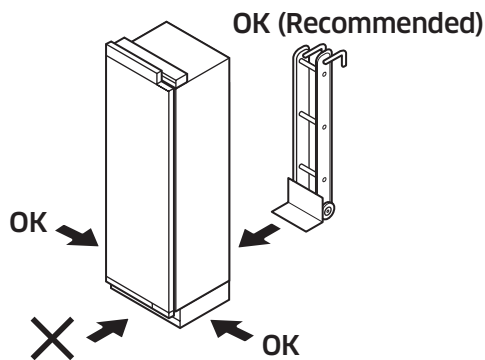
WARNING

The appliance is very heavy. When moving the refrigerator, all personnel must take care not to injure themselves or the appliance.

1. Secure the refrigerator to a suitable means of transport (preferably an appliance dolly), and move the refrigerator near its installation cabinet.
 2. Move and install with a minimum of two persons.
 3. Be very careful to avoid floor damage. Delicate flooring should be protected with plywood, hard cardboard, or similar material
 4. Before moving the refrigerator, verify that it will fit through all door openings, stairwells, and overhead obstructions.
- **TIPPING HAZARD:** The refrigerator is large, heavy, and tips easily when not secured. Always move the refrigerator in an upright position if possible. If not, move the refrigerator on its back. Secure the doors shut during transport.

WARNING

Be careful that electrical component box is not damaged when installing.



Installation instructions

3. Installation preparation

Unpack installation materials and accessories.

See the Installation preparation section on Installation Requirement chapter.

4. Attaching the anti-tip-bracket

⚠ WARNING

To keep the unit from tipping forward, an anti-tip bracket must be installed. Before attaching the bracket, ensure that no electrical wiring or plumbing is in the area where the screws will penetrate. One such bracket per appliance is required.

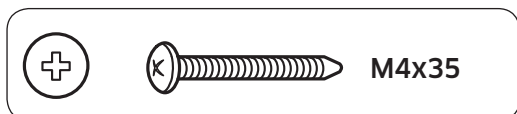
⚠ CAUTION

Always wear safety glasses and other necessary protective devices or apparel when installing or working with anchors.

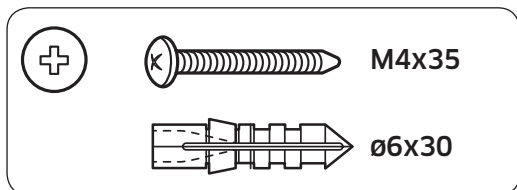
Dacor does not recommend that you anchor the anti-tip bracket in light-weight masonry (e.g., block, brick) or in new, uncured concrete.

Make sure the wall or the cabinet that the brackets are studded in has enough strength to withstand the safety load.

Wooden Wall



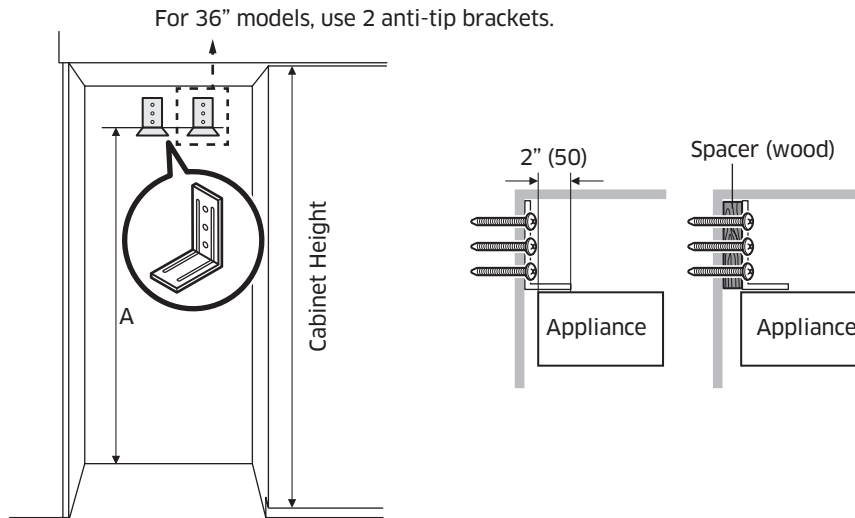
Concrete Wall








1. Bracket height is measured from the floor and depends on the cabinet height.
2. Attach the anti-tip brackets. Ensure the screws hold the bracket tightly.

The anti-tip brackets must extend at least 2" (50 mm) over the appliance to secure the appliance. If this minimum length cannot be observed for structural conditions it is possible to do this by fastening a spacer (wood) behind the anti-tip angle.

For 36" models, place 2 anti-tip brackets at intervals and fix them with 3 screws per bracket on a wooden wall, or with 3 screws and 3 holder-locks per bracket on a concrete wall. For the other models, you can use one anti-tip bracket for the intended purpose.



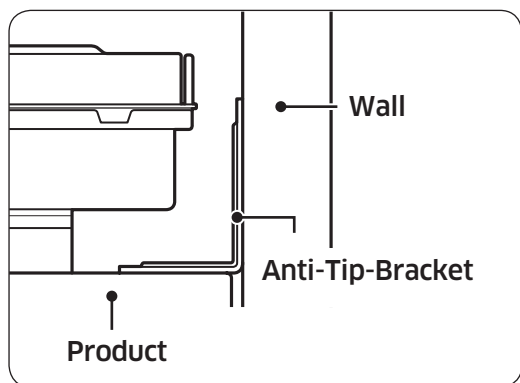
Option	Cabinet height	A
1	83 1/2" (2121 mm)	79 1/2" (2019 mm)
2	83 3/4" (2127 mm)	79 5/8" (2023 mm)
3	84" (2134 mm)	79 7/8" (2030 mm)
4	84 1/4" (2140 mm)	80 1/8" (2036 mm)

		18"	24"	30"	36"
ANTI-TIP BRACKET			1 ea		2 ea
wooden wall	  M4x35		3 ea		6 ea
concrete wall	  M4x35		3 ea		6 ea
	 ø6x30 (HOLDER LOCK)		3 ea		6 ea

- 3 screws/holder locks per bracket.

Installation instructions

Anti-tip bracket considerations

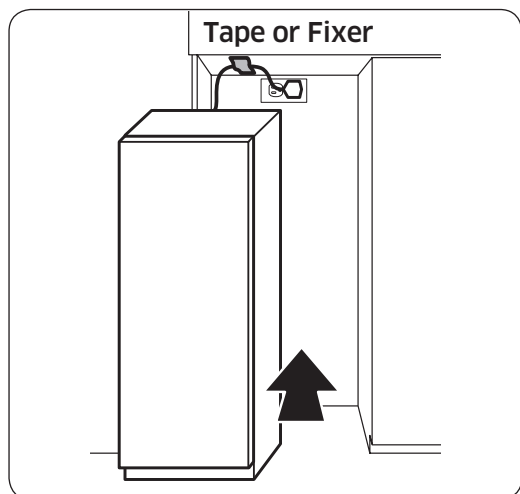


1. Bracket positioning: follow the cabinet-specific height table.
2. Screws: Tighten all 3 screws on the brackets.
3. Push the product up against the rear wall of the cabinet.
4. Spacer: If using the spacer, you must follow the positioning specifications of the bracket (see the table above).

⚠ CAUTION

- The height of the spacer must be calculated based on the depth of the cabinet.
- The spacer must be fixed separately from the cabinet.

When installing the product into the cabinet



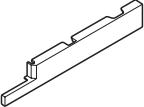

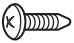
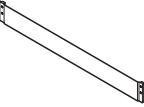

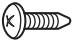
Before positioning the product in the cabinet, plug in the power cord. Then, attach the power cord near the front of the cabinet opening using tape or fixer such as clip, pin, etc.

After positioning the product inside the cabinet, make sure the power cord is positioned on the top of the product (as shown in the in the figure).

5. Removing Upper Door Cover, Kickplate

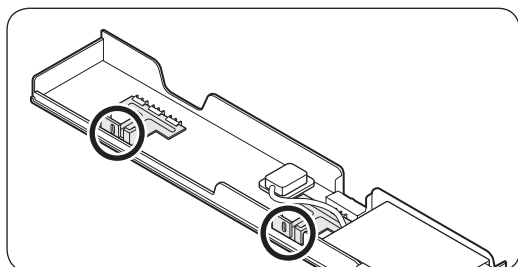
You need to remove the upper door cap and kickplate before you adjust the custom door panel.



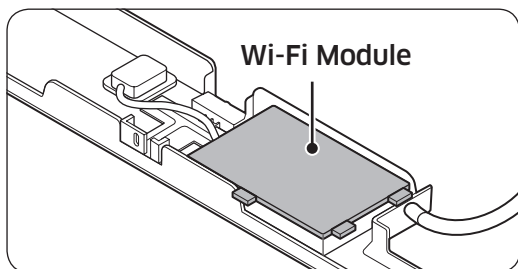
Upper Door Cover		 	M5x16	4 ea
Kickplate		 	M4x8	2 ea

Installation instructions

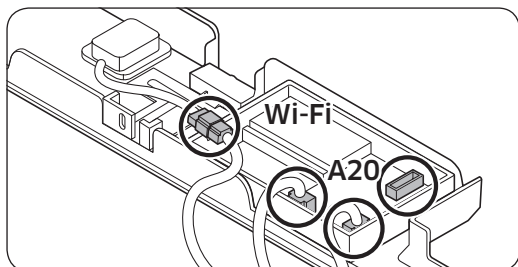
- Upper Door Cover: Loosen the screws, and remove the cover.



1. Remove the 4 screws fixing the Cap door.

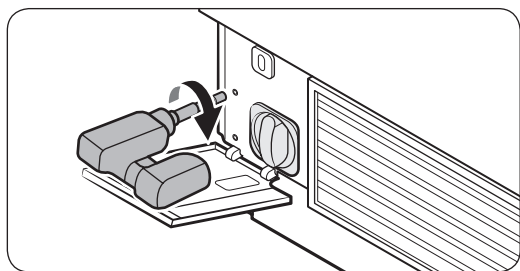


2. Remove the Wi-Fi module cover on the inside of the Cap door.

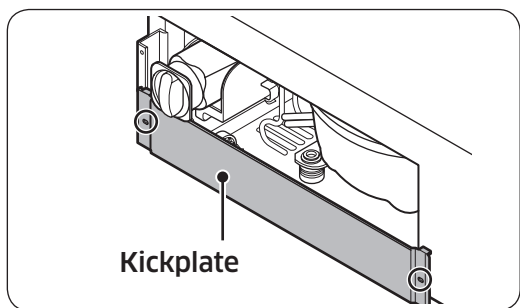


3. Disconnect housing connectors to separate Upper Door Cover.

-
- Kickplate : For side-by-side installation, remove the grill cover.
This is not applicable for standalone installation.



1. Push open the water filter cover.
Remove the screws on side and remove grill cover.

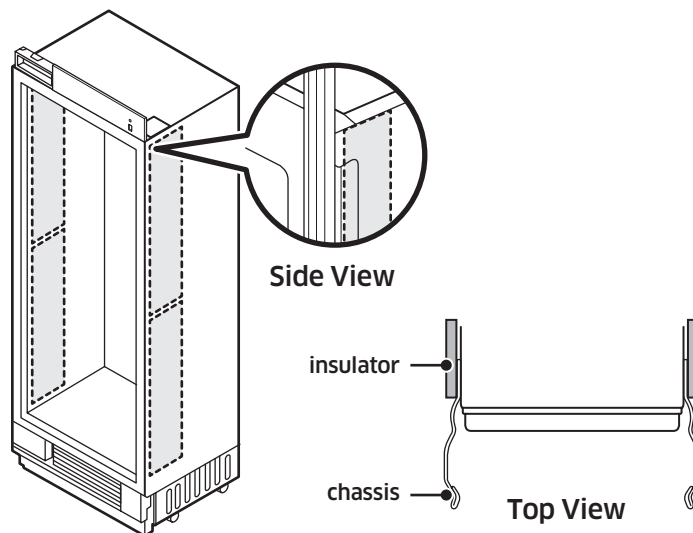


2. Remove the screws on both sides, and remove the kickplate.

Installation instructions

6. Attaching insulators on the side of the freezer or fridge

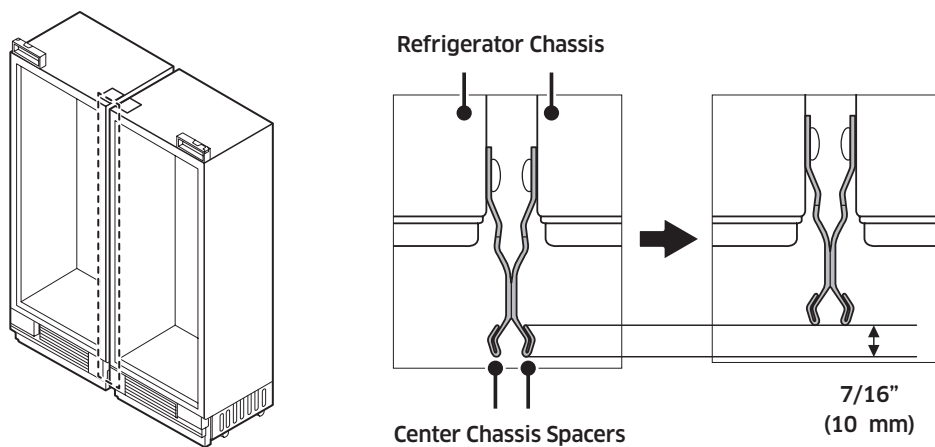
Attach 2 insulators each on both sides of the freezer or fridge as shown.
Attach the insulators with covering the screws on the side chassis.



7. Side-by-side (Pair) Installation

Repositioning the Center Chassis Spacers

1. Remove the set's center chassis spacer.
2. Re-attach the spacers $7/16$ in. (10 mm) back from their original position (see graphic below).



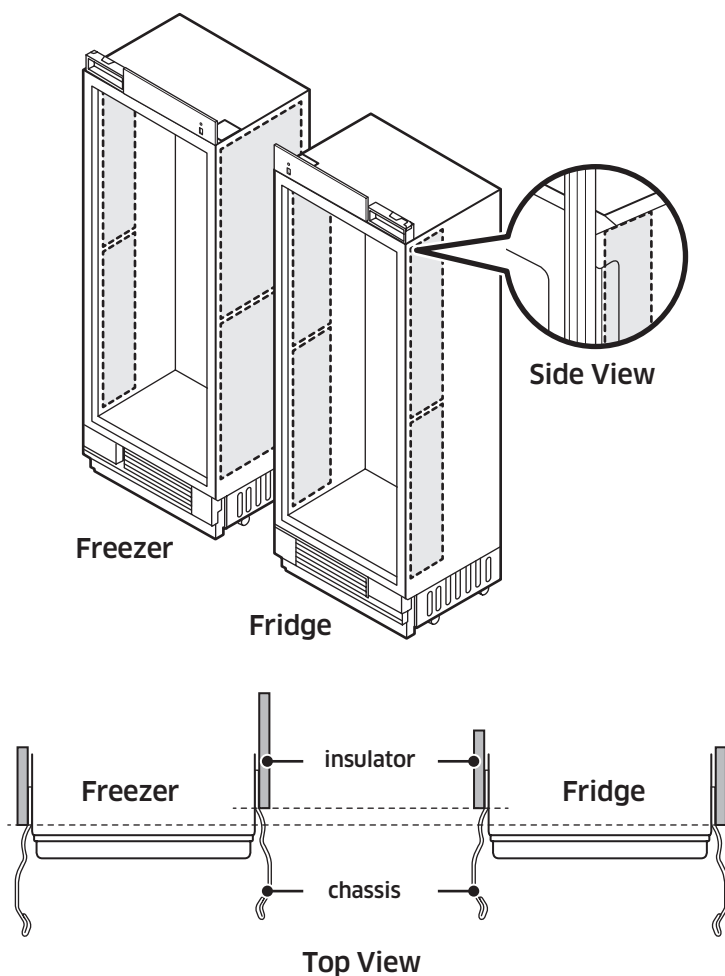
Installation instructions

Attaching an insulator

Attach an insulator on either one of the contacting surfaces.

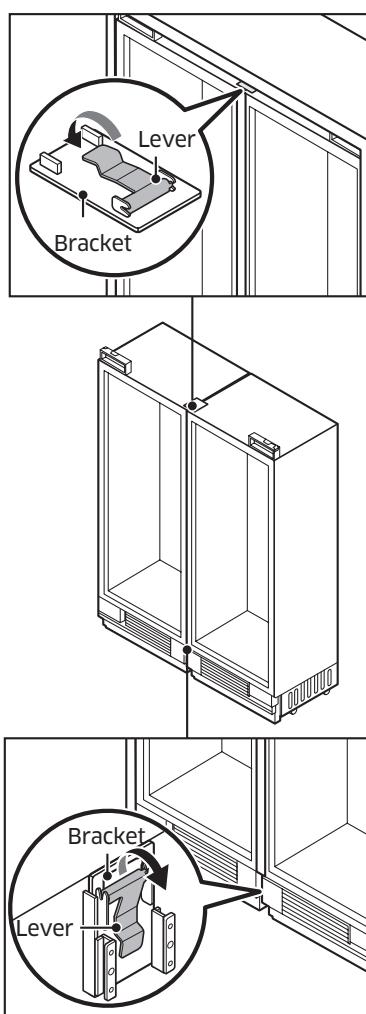
If a fridge and freezer are paired side-by-side, attach the insulator on the fridge.

1. Attach an big size insulator on either one of the contacting surfaces.
If a fridge and freezer are paired side-by-side, attach the insulator on the freezer with covering the screws on the side chassis.
2. Attach small insulators each on side of the freezer and fridge as shown with covering the screws on the side chassis.
3. Align the insulator with the end of the center chassis spacer.



Connecting the Two Chassis

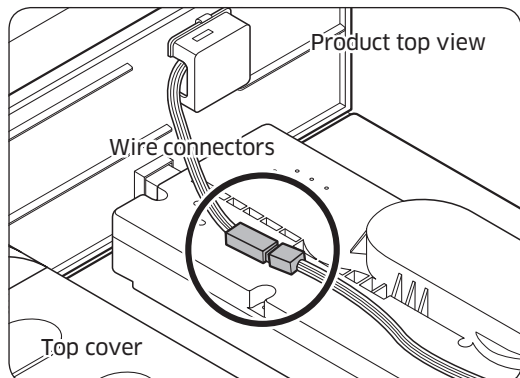
1. Making the upper connection.
 - Attach the rectangular bracket to the protruding tabs on the top of each chassis (see the graphic).
 - Attach the lever to connect the two chassis.
2. Making the lower connection.
 - Insert the bracket in the groove at the bottom of the two chassis.
 - Attach the lever to connect the two chassis.



Installation instructions

8. Attaching the Refrigerator's Top Cover

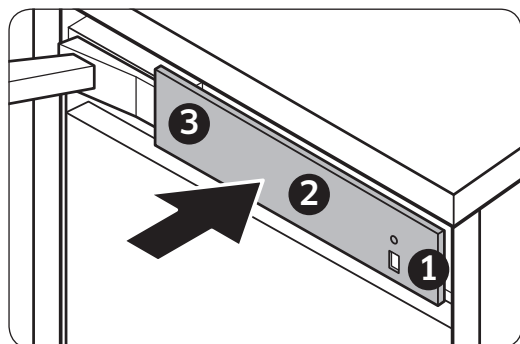
Light intensity sensor is attached to the top cover. Before attaching the top cover, first connect the light intensity sensor connector.



1. Connect the light intensity sensor connector.
Connect the wires for electric parts from around the Auto Door Open kit, and then insert the wires in the rectangular pipe.

CAUTION

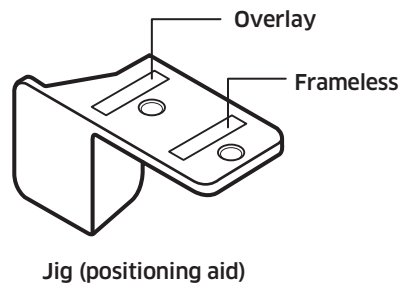
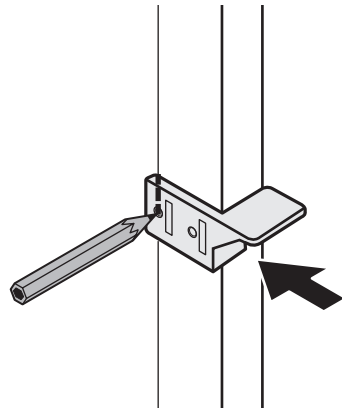
Be careful not to damage the wires.



2. To attach the top cover, fix the hooks in the order of the numbers as shown in the figure.

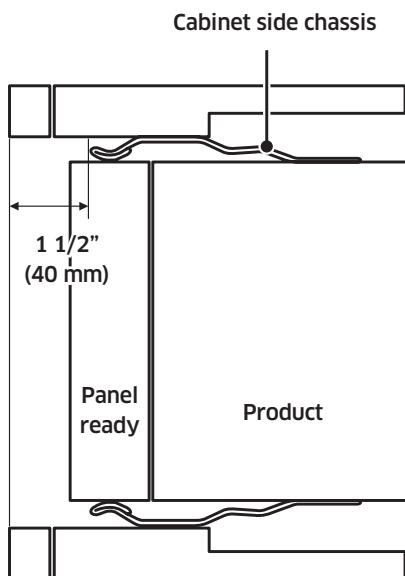
9. Moving the Refrigerator Into Its Enclosure

- According to the type of cabinet, a jig (positioning aid) can be used to align the refrigerator's custom door panel with cabinet by marking vertical line on the cabinet.



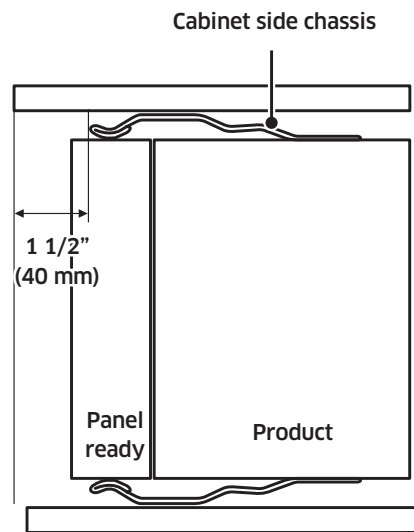
- Position the cabinet side chassis to align with your vertical line.

Overlay Type



Top view

Frameless Type



Top view

Installation instructions

CAUTION

As you push the refrigerator into its enclosure, take care not to damage the water line and power cord.

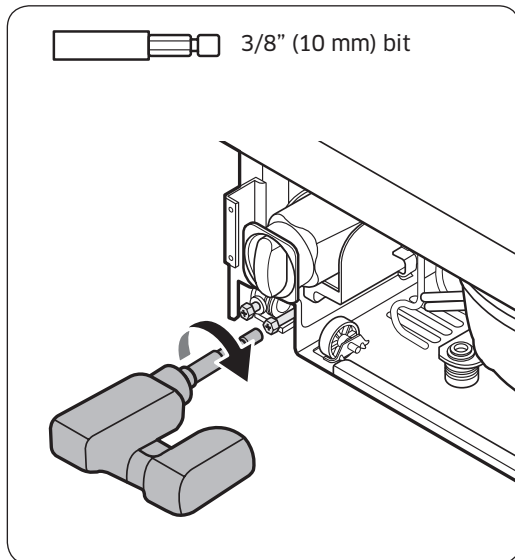
The water hose must be fixed to the ground before pulled out to the front. Also, arrange the power cord behind the appliance to ensure that it is not stepped on or over.

WARNING

While moving the refrigerator, take care not to harm assisting personnel or the refrigerator itself.

1. Before moving the refrigerator, connect the power cord.
2. Place packaging cardboard or plywood in the refrigerator's path to protect the flooring while moving the appliance.
3. Carefully push the refrigerator into its enclosure.
4. Align the forward edge of the chassis spacer with the vertical line you marked on the cabinet.

10. Leveling the Refrigerator



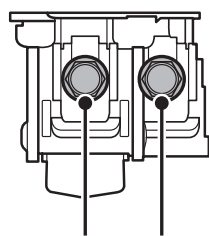
1. Using your drill and the bit shown below, engage each of the refrigerator's adjuster shafts in turn, and level the refrigerator. (CW \uparrow , CCW \downarrow)
2. Adjust the gap between the furniture and Refrigerator top cover to 1/8 in. (3 mm).

⚠ CAUTION

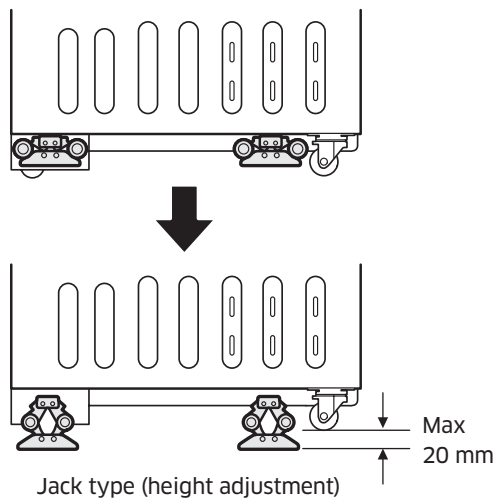
The front and rear leveling legs have a maximum height adjustment of 3/4 in. (20 mm).

If greater height is required, the installer may raise the refrigerator on a sheet of plywood or runners.

Raising the refrigerator above 3/4 in. (20 mm) will damage the front and rear leveling components.



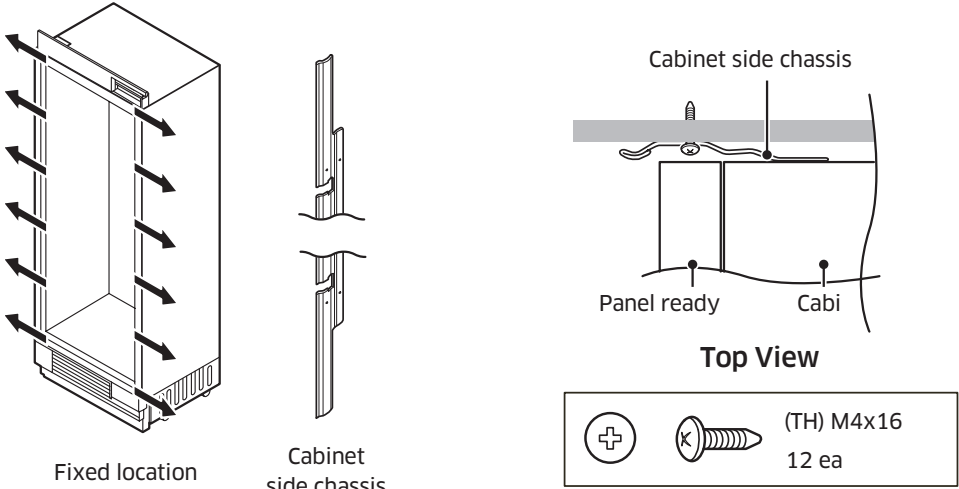
Front Rear
Adjustable shaft
(3/8", 10 mm)



Installation instructions

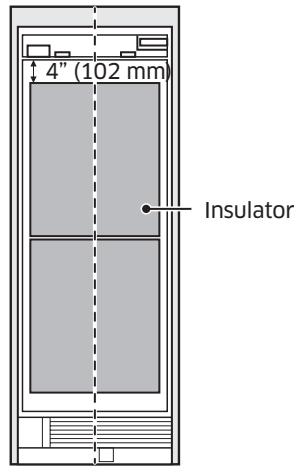
11. Securing the Refrigerator

Secure the refrigerator to its enclosure with (TH) M4x16 screws (6 screws per side, as shown in the graphic).



12. Attaching the Front-Panel Insulation

- Attach the insulation to the front of refrigerator door. (Ensure the mounting position is correct.)
1. Center the door panel and the insulation as shown in the graphic below.
 2. Attach the insulation 4 in. (102 mm) from top of the door. (See the graphic.)

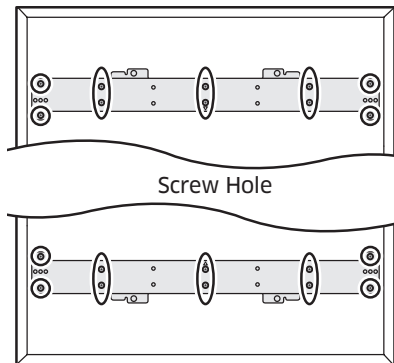




13. Attaching the Custom-Door-Panel Brackets

Attach the panel brackets to the top and bottom of the panel.

Custom Panel: STS

Drive 10 screws each to the top and bottom brackets as shown in the graphic. (The other holes on each side of the bracket are for a different application.)

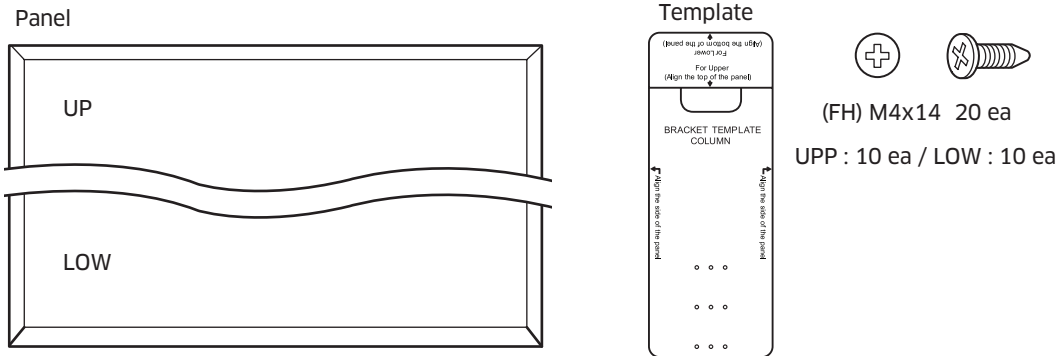


  (FH) M4x14 20 ea
UPP : 10 ea / LOW : 10 ea

Installation instructions

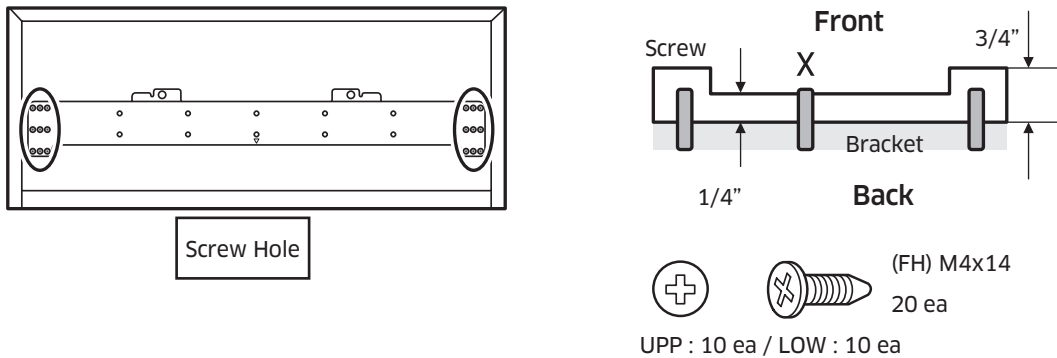
Custom Panel: Wood, Other

- The template informs you the position of the bracket and holes.
- Mark hole positions on every corner of the panel according to the template and drive the screws into the holes.



Custom Panel: Recessed Back, Other

If, by the nature of its design, the panel cannot be attached at the center of the bracket, use the whichever suitable screw holes on the sides of the bracket to attach the panel.

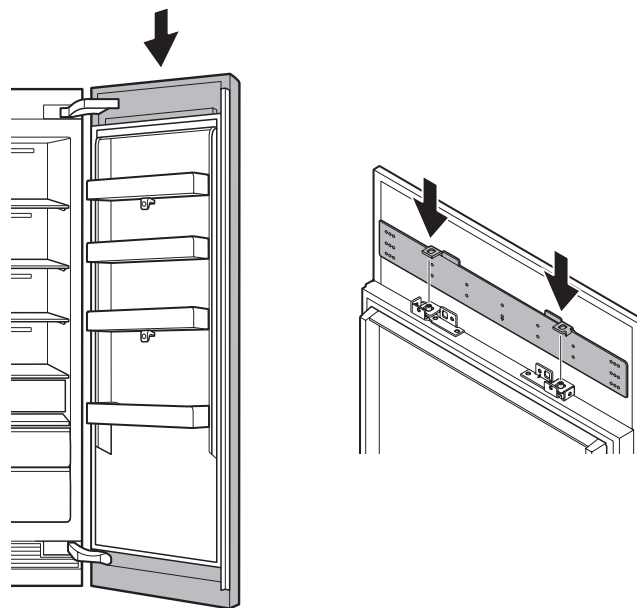


14. Hanging a Custom Panel

WARNING

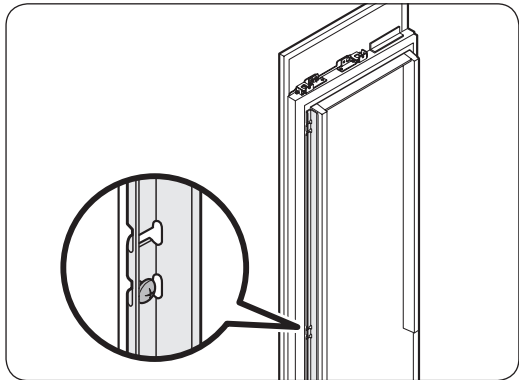
If you install a custom panel before fixing the appliance to the cabinet, the custom panel can tip over. To prevent this, you must follow the installation instructions.

- Hang the panel bracket on the height adjustment screw. (See the graphic.)



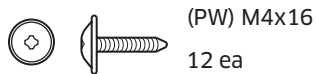
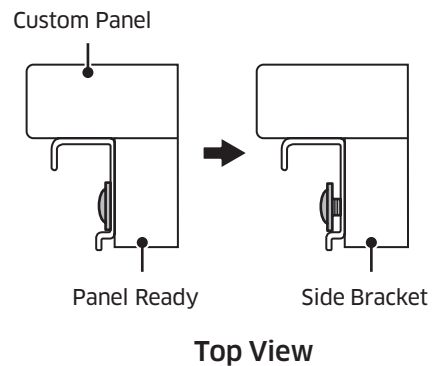
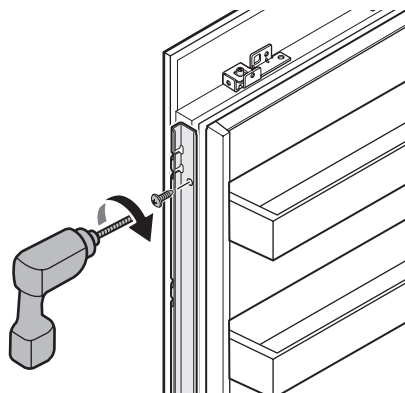
Installation instructions

15. Preparing the Panel for Adjustment



1. Fix the custom panel temporarily onto the side of the door by tightening the screw in the center of the panel.

2. Loosen—but do not remove—the six screws on the side of the door so you can adjust the custom panel vertically.

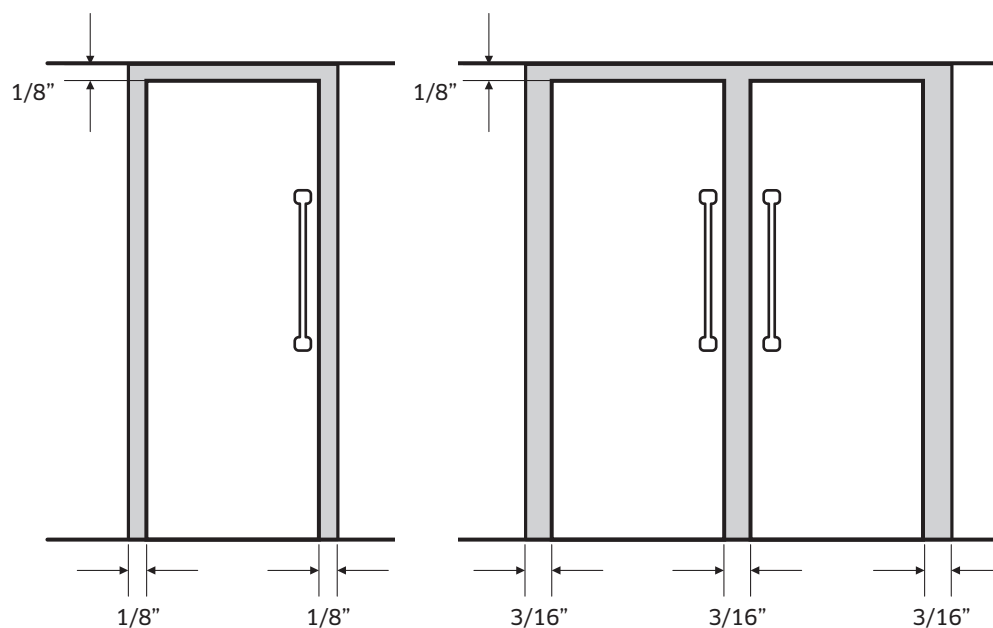


16. Aligning the Panel

There are two panel-adjustment mechanisms at the top and two at the bottom of the door. Adjust the panel so it aligns with the surrounding cabinetry.

The gap between the cabinet and the panel must be:

- 1/8" (3 mm) on top
- 1/8" (3 mm) on the side for single installation
- 3/16" (4 mm) on the side for pair installation



Top of the Door

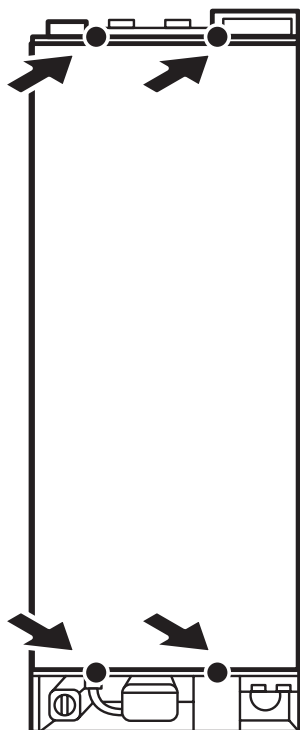
1. Use the double-threaded bolts to align the door panel.
2. Engage a side screw (see the graphic) to shift the panel side to side.
3. Engage Screw 1 (see the graphic) to shift the panel forward/backward; engage Screw 2 to set the panel in place.

Installation instructions

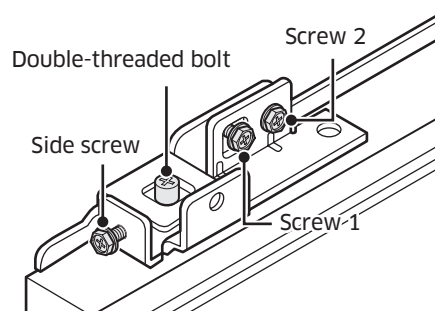
Bottom of the Door

1. Engage a side screw (see the graphic) to shift the panel side to side.
2. Engage Screw 1 (see the graphic) to shift the panel forward/backward; engage Screw 2 to set the panel in place.

● Panel-adjustment mechanisms

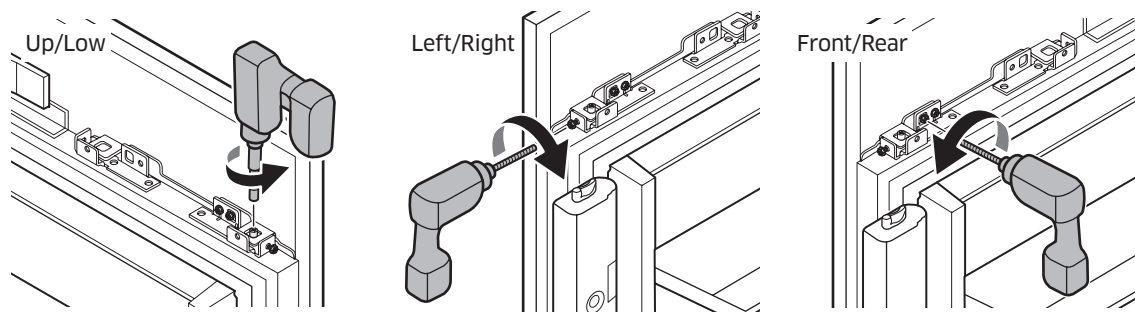


Each 12 screws per Door
M6x12 12 ea

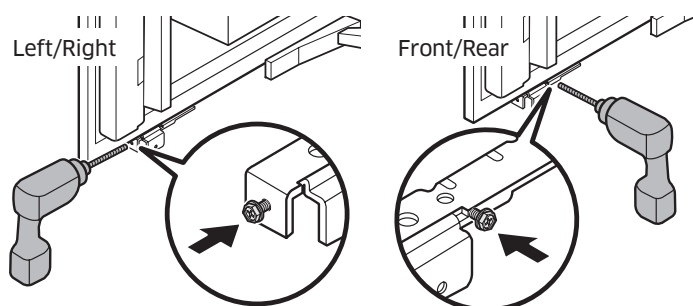


Panel-Adjustment Mechanism

Top of Door

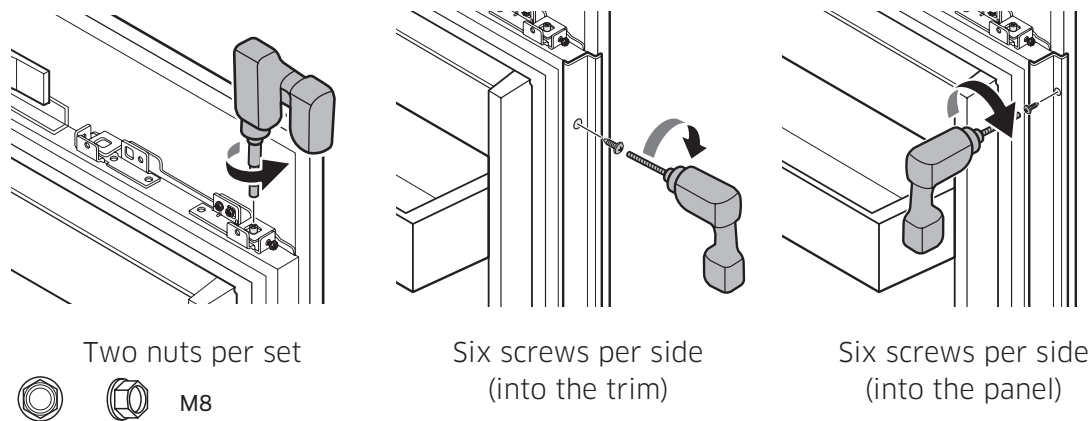


Bottom of Door



Attaching the Panel to the Door

1. Screw nuts snugly onto the double-threaded bolts.
2. Attach the panel's side trim.

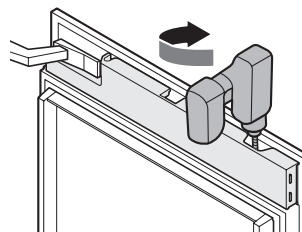
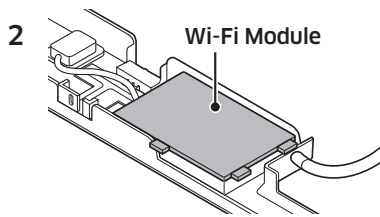
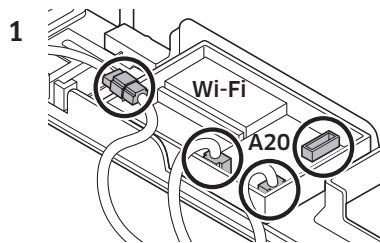


Installation instructions

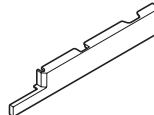
17. Attaching the Door's Interior Covers

Upper Door Cover

1. See the figures below, and mount the housing onto the door.
2. Close the Wi-Fi module cover inside the upper door cover.
3. Drive the screws from the top (4 screws per set).



Upper door cover

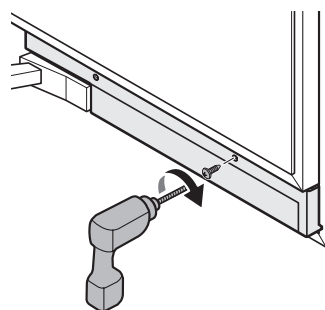
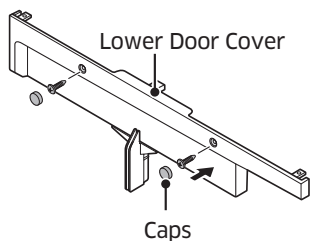


M5x16

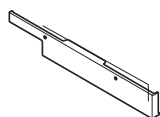
4 ea

Lower Door Cover

1. Attach the air guide to the lower door cover (2 screws per set).
2. Attach the lower door cover by driving the screws from the front (2 screws per set).
3. Attach the caps over the screw holes.



Lower Door Cover



(FH) M4x14 2 ea



Installation instructions

18. Connecting the Water Line

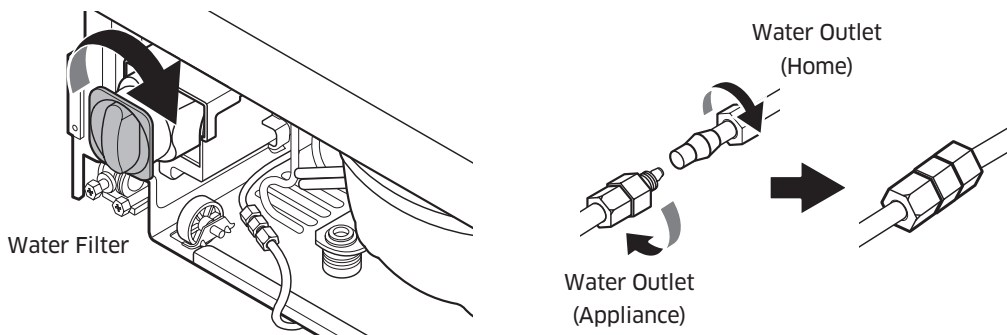
To prevent leaks and water damage, be careful not to kink the water line.

After connecting the water hose on the floor, open the water valve in the rear of the appliance and check the connection of the water supply line and make sure there is no leak.

There are several items you must purchase to complete this connection. You may find these items sold as a kit at your local hardware store.

Copper Tubing	<ul style="list-style-type: none">• 1/4" copper tubing• 1/4" compression nut (1 pc)• Ferrule (2 pc)
Plastic Tubing	<ul style="list-style-type: none">• 1/4" plastic tubing → Molded end (Bulb)• 1/4" compression nut (1 pc)

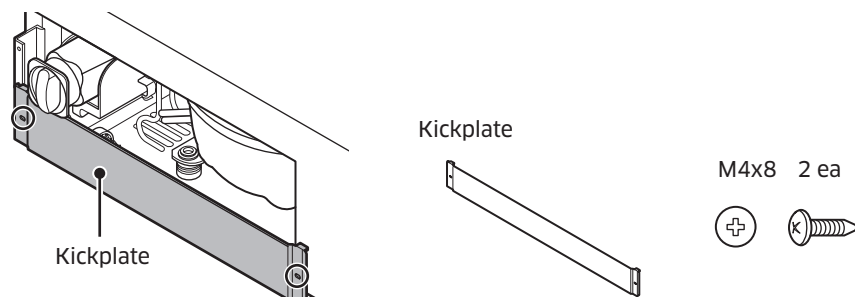
1. Remove the cap from the appliance connection.
2. Bend the water line according to the location of the connection on the appliance.
3. Slide the union nut and seal onto the water line.
4. With the open-end wrench, tighten the union nut, being careful not overtighten.
5. Open the shut-off valve and main water tap.
6. Check the connection on the shut-off valve and on the appliance for leaks.
7. Push the water line into the guard tube as far as possible.



19. Attaching kickplate and Toe kickplate (optional)

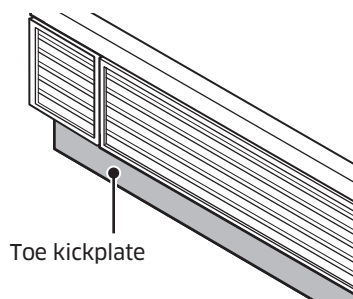
Attaching kickplate

- Drive the screws on both sides to attach the kickplate.



Attaching Toe kickplate

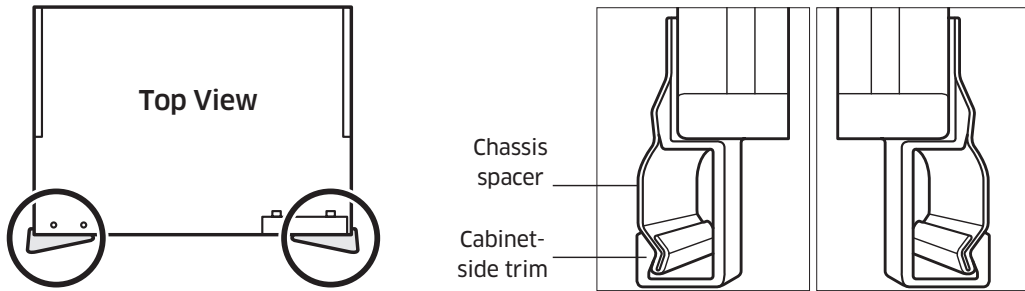
- The height of the product can be adjusted between 83 3/8" ~ 84 3/8".
- If you want to use the provided Dacor toe kickplate (4"), note that it was designed for a product height of 83 7/8" and cabinet height of 84".
- If you want to use a toe kickplate not provided by Dacor, adjust the height of the toe kickplate accordingly.



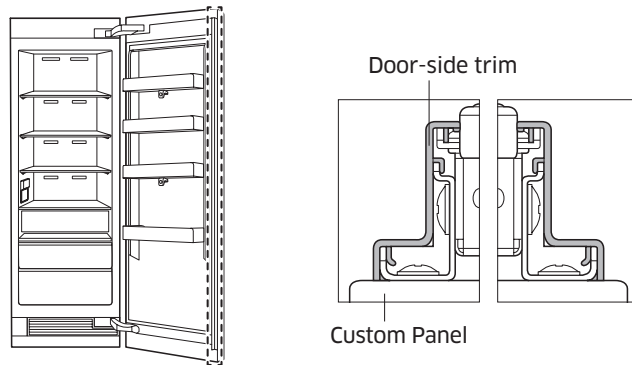
Installation instructions

20. Attaching the Refrigerator Trim

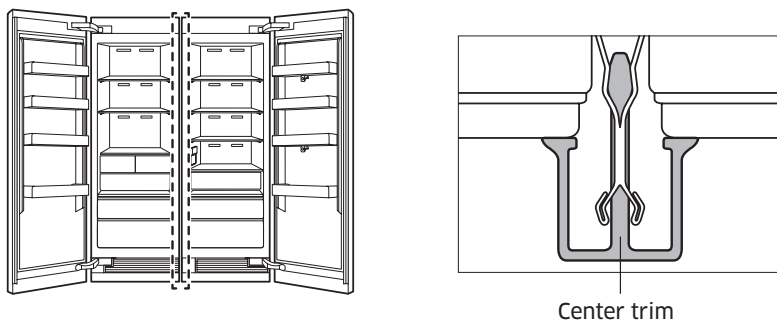
1. Cabinet-side trim: Attach the trim between the refrigerator and the cabinet.



2. Door-side trim: Attach trim to the door's side bracket.



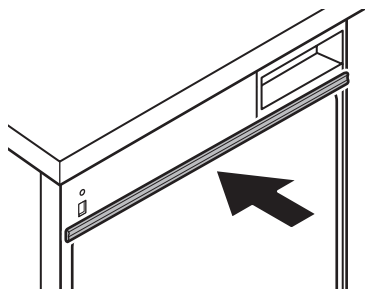
3. (Side-by-side installation only) Center trim: Attach the trim between the refrigerator chassis.



21. Attaching Trim Top Cover

Attach the Trim Top Cover on the bottom of the Top Cover.

- For pair installation, cut to fit the Trim Top Cover width and attach.



22. Removing the Interior Packaging

Unpack EPS and tape.

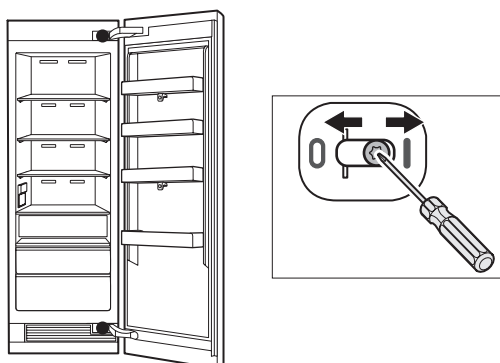
23. Adjusting the door spring

Adjust the tension of the door spring according to the product size.

With a star-head screwdriver, turn the adjusting screw.

I = maximum spring tension

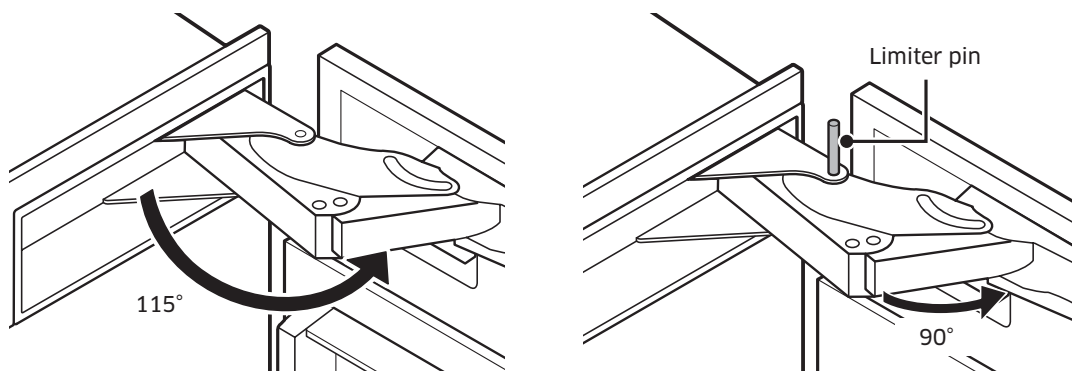
0 = no spring tension



Installation instructions

24. Adjusting the door Opening Angle

By factory default, the door opens by 115 degrees. You can use the limiter pin to adjust the opening angle down to 90 degrees, depending on the installation conditions.



25. Cleaning

Remove the protective vinyl and clean the custom panel.

26. Installation Checklist

Ensure the refrigerator functions properly and that the custom door panel aligns with the surrounding cabinetry.

WARNING

- The following checklist should be completed by the installer to ensure that the refrigerator is safely and correctly installed, functions properly, and that no part of the installation has been overlooked.
- Proper installation is the responsibility of the homeowner. **The importance of proper installation of your Dacor appliance cannot be overemphasized.**

Installation Checklist

- Has the unit been inspected for cosmetic damage?
- Has the water supply line been properly installed according to specifications and checked for leaks?
- Is the unit properly aligned with the adjacent cabinets?
- Do all doors, drawers and shelves operate smoothly, without interference?
- Has all packaging, tape, and literature been removed from inside and outside of the appliance?
- Is the power cable connected to a three-prong grounded electrical outlet that meets the electrical specifications?
- Has the unit been properly leveled?
- Has the anti-tip bracket been properly installed?
- Do all refrigerator components function properly?
- Has the warranty been activated on-line or the warranty card filled out and mailed?

Memo

Memo



DA68-03621B-02

dacor[®]

Dacor • 14425 Clark Avenue, City of Industry, CA 91745 • Phone: (800) 793-0093 • Fax: (626) 403-3130 • www.dacor.com



dacor[®]

Instrucciones de instalación

Refrigerador incorporado Modernist

DRR24/30/36*, DRZ18/24/30/36*

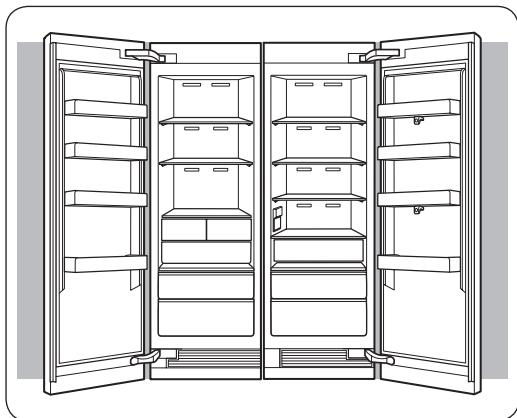
Contenido

Antes de comenzar...	4
Importante	4
Información de Atención al cliente	5
Si necesita ayuda...	5
Instrucciones importantes de seguridad	6
Advertencia sobre la State of California Proposition 65 (solo EE.UU.)	6
Precauciones generales de seguridad	7
Información de seguridad y advertencias	11
Seguridad de la instalación	11
Especificaciones de instalación	13
Opciones de instalación	14
Especificaciones del producto	15
Especificaciones del panel personalizado	16
Especificaciones de la manija	17
Instalación	18
Requisitos de instalación	19
Preparación para la instalación	19
Conexión a tierra del refrigerador	22
Requerimientos de presión de agua	23
Conexión al suministro de agua principal	24
Requerimientos especiales del gabinete	25

Instrucciones de instalación	26
1. Desembalar el refrigerador	26
2. Desplazar el refrigerador	27
3. Preparación para la instalación	28
4. Colocar el soporte antivuelco	28
5. Retirar la cubierta superior de la puerta, placa de protección	31
6. Instalar aislantes a cada lado del congelador o del refrigerador	34
7. Instalación lado a lado (Par)	35
8. Colocación de la cubierta superior del refrigerador	38
9. Colocar el refrigerador en su estructura	39
10. Nivelar del refrigerador	41
11. Ajuste del refrigerador	42
12. Ajustar el aislamiento del panel frontal	43
13. Colocar los soportes del panel personalizado de la puerta	43
14. Colgar un panel personalizado	45
15. Preparar el panel para el ajuste	46
16. Alinear el panel	47
17. Colocar las cubiertas interiores de la puerta	50
18. Conectar la tubería de agua	52
19. Colocar la placa de protección y el zócalo (opcional)	53
20. Colocar el borde del refrigerador	54
21. Instalar el borde de la cubierta superior	55
22. Retirar el empaque interno	55
23. Ajustar el resorte de la puerta	55
24. Ajuste del ángulo de apertura de la puerta	56
25. Limpieza	56
26. Lista de verificación de instalación	57

Antes de comenzar...

Importante



- El diseño general y/o los accesorios pueden diferir dependiendo del modelo.

Instalador

- A fin de promover la seguridad y minimizar problemas, lea este manual detenidamente antes de iniciar la instalación. Deje este manual al usuario.
- Escriba el modelo/número de serie del electrodoméstico en este manual para referencia en caso de servicio/mantenimiento.
- Los números de modelo/serie se encuentran en la etiqueta informativa en el compartimiento del refrigerador.

Usuario

- Conserve este manual para referencia personal y para referencia de inspectores, personal de servicio, etc.

GUARDE ESTAS INSTRUCCIONES

Información de Atención al cliente

Si necesita ayuda...

Si desea hacer alguna pregunta o tiene un problema con la instalación, comuníquese con su distribuidor de Dacor® o con el equipo de Atención al cliente de Dacor. Si su electrodoméstico Dacor se encuentra en garantía, comuníquese con Dacor Distinctive Service. Tenga el modelo/número de serie del electrodoméstico a mano al llamar. (Estos números se encuentran en la etiqueta informativa ubicada en el marco interno de la puerta derecha del refrigerador).

Dacor Distinctive Service (solo para reparaciones de electrodomésticos en garantía)

Teléfono: (800) 793-0093 int. 2822 (EE.UU. y Canadá)

Lunes a viernes de 6:00 a.m. a 4:00 p.m. Hora del Pacífico

Servicio de atención al cliente de Dacor

Teléfono: (800) 793-0093 int. 2813 (EE.UU. y Canadá)

Lunes a viernes de 6:00 a.m. a 5:00 p.m. Hora del Pacífico

Sitio web: www.dacor.com

Todas las especificaciones están sujetas a cambios sin previo aviso. Dacor no asume responsabilidad alguna por los cambios en las especificaciones.

© 2017 Dacor, todos los derechos reservados.

GUARDE ESTAS INSTRUCCIONES

Instrucciones importantes de seguridad

Las instrucciones importantes de seguridad y las advertencias que aparecen en estas instrucciones no tienen por objeto cubrir todos los posibles problemas y condiciones que puedan ocurrir.

Utilice el sentido común y tenga precaución al instalar, mantener u operar este o cualquier otro electrodoméstico.

Siempre póngase en contacto con el equipo de servicio al cliente de Dacor por cualquier problema o condiciones que no entienda. Consulte **Información de Atención al cliente**.

Etiquetas y símbolos de seguridad

Estas alertas están destinadas a llamar la atención sobre áreas importantes en el manual.

Siempre que vea estos símbolos o etiquetas, lea el mensaje atentamente antes de continuar.

PELIGRO

Riesgos inminentes que **CAUSARÁN** lesiones físicas graves o la muerte.

ADVERTENCIA

Riesgos o prácticas inseguras que **PUEDEN** causar lesiones físicas graves o la muerte.

PRECAUCIÓN

Riesgos o prácticas inseguras que **PODRÍAN** causar lesiones físicas leves o daños materiales.

Advertencia sobre la State of California Proposition 65 (solo EE.UU.)

ADVERTENCIA : Este producto contiene productos químicos reconocidos en el estado de California como capaces de provocar cáncer y defectos de nacimiento u otras afecciones reproductivas.

GUARDE ESTAS INSTRUCCIONES

ADVERTENCIA - Refrigerante R600a

Este dispositivo contiene refrigerante de isobutano, R600a, un gas natural con alta compatibilidad ambiental. Sin embargo, también es inflamable. Sírvase cumplir con las siguientes advertencias:

- Al manipular, instalar y operar el electrodoméstico, debe evitar daños a las tuberías refrigerantes.
- Las tareas de reparación deben estar a cargo del personal de servicio autorizado por el fabricante y los componentes deberán reemplazarse por repuestos autorizados por el fabricante.
- Los productos de refrigeración contienen refrigerantes, que en virtud de la legislación federal deben retirarse antes de la disposición del producto.
- Mantenga las aberturas de ventilación del gabinete o estructura incorporada del electrodoméstico libres de obstrucciones.
- Para evitar la creación de una mezcla de gas-aire inflamable en caso de una pérdida en el circuito del refrigerante, el tamaño del lugar en el que se coloca el refrigerador depende de la cantidad de refrigerante utilizado. El lugar debe tener 35.3 pies³ por cada 8 g de refrigerante R-600a en el electrodoméstico.
- La ubicación de instalación no debe estar expuesta a la luz solar directa ni cerca de ningún electrodoméstico o fuente de calor, tales como estufas, hornos u hornillas, radiadores, etc.
- Si coloca dos productos uno junto al otro, por razones de seguridad, asegúrese de utilizar productos certificados en atmósferas de gas explosivas.
- No utilice dispositivos mecánicos ni otros medios para acelerar el proceso de descongelamiento.
- No dañe el circuito del refrigerante.
- No utilice electrodomésticos eléctricos dentro del compartimiento de almacenamiento de alimentos del electrodoméstico.

Precauciones generales de seguridad

PELIGRO

IMPORTANTE:

A fin de evitar que los niños queden encerrados o se sofoquen al desechar un electrodoméstico viejo:

- Retire las puertas.
- Deje los estantes en su lugar de manera tal que los niños no puedan entrar fácilmente al electrodoméstico.
- Corte las clavijas del enchufe y descártelas.

GUARDE ESTAS INSTRUCCIONES

Instrucciones importantes de seguridad

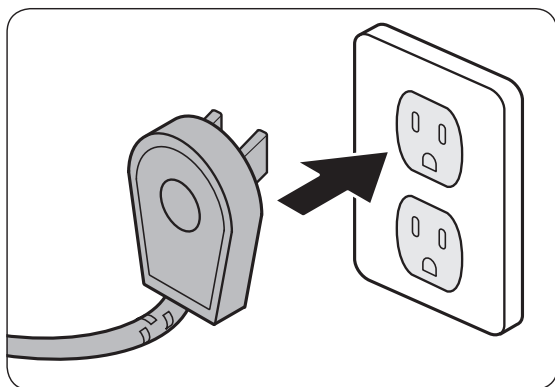
- Corte el cable de alimentación y descártelo separado del electrodoméstico viejo.

Para evitar posibles explosiones o incendios, no guarde ni utilice vapores o líquidos inflamables o explosivos (como gasolina) dentro o cerca de este o de cualquier otro electrodoméstico. También mantenga los objetos que podrían explotar, como latas de aerosol, lejós de quemadores de estufa, hornos y campanas de cocina. No almacene materiales inflamables o explosivos en gabinetes o áreas adyacentes.

ADVERTENCIA

IMPORTANTE: Este electrodoméstico está equipado con un enchufe eléctrico de tres clavijas con conexión a tierra para protección contra posibles riesgos de descarga eléctrica. Debe enchufarse en un tomacorriente dedicado y con conexión a tierra. En caso de que solo haya disponible un tomacorriente de dos clavijas, será responsabilidad del cliente reemplazarlo por un tomacorriente dedicado y conectado a tierra adecuadamente.

- No enrosque ni doble el cable de alimentación eléctrica del electrodoméstico.
- Nunca desenchufe el electrodoméstico jalando el cable de alimentación.
- Siempre sostenga el enchufe con firmeza y jale para extraerlo del tomacorriente.
- Desconecte el electrodoméstico cuando no esté en uso.
- No instale, repare, modifique ni reemplace cualquier pieza del electrodoméstico a menos que así se lo recomiende específicamente en la literatura que lo acompaña.
- Un técnico de servicio calificado debe realizar todas las demás reparaciones.



NO corte ni retire la tercera clavija (conexión a tierra) del cable de alimentación eléctrica.

NO utilice un adaptador.

NO utilice un cable de alimentación que esté pelado o dañado.

NO conecte el electrodoméstico a un alargue. Mantenga el cable de alimentación alejado de superficies calientes.

NOTA

- Utilice un tomacorriente con conexión a tierra.
- No se recomienda el uso de un tomacorriente con un interruptor de falla de conexión a tierra.

GUARDE ESTAS INSTRUCCIONES

ADVERTENCIA

Para reducir el riesgo de incendio, descarga eléctrica, lesiones graves o muerte al utilizar el electrodoméstico, siga las instrucciones básicas de seguridad, incluyendo las siguientes:

Si recibe un producto dañado, comuníquese de inmediato con su distribuidor o fabricante. No instale ni utilice un electrodoméstico dañado.

Asegúrese de que el electrodoméstico se haya instalado correctamente de acuerdo con estas instrucciones de instalación.

Asegúrese de instalar los tomacorrientes de acuerdo con la ubicación de la fuente de alimentación.

Los equipos de refrigeración y refrigerantes deben desecharse adecuadamente de manera profesional y apropiada de acuerdo con los reglamentos y la legislación local actual que protegen el medio ambiente. Esto corresponde a su viejo electrodoméstico y a su nueva unidad una vez que llega al fin de su vida útil. NO deseche el electrodoméstico en un relleno sanitario ni con desechos urbanos. Comuníquese con los centros de disposición de desechos locales para obtener información acerca de cómo desechar los residuos reciclables.

Tenga cuidado al manipular, mover, utilizar o desechar el electrodoméstico a fin de evitar daños al sistema de refrigeración.

No lo instale en exteriores ni en situaciones de humedad. Este electrodoméstico no ha sido diseñado para su instalación en vehículos recreativos ni embarcaciones.

Mantenga los materiales de embalaje alejados de los niños. Las láminas y bolsas plásticas pueden provocar asfixia.

Conecte el electrodoméstico a un circuito de 115 V, 15 A. controlado por un disyuntor o fusible. El electrodoméstico debe tener su propio circuito con conexión a tierra.

No enrosque ni doble el cable de alimentación eléctrica del electrodoméstico. Nunca desenchufe el electrodoméstico jalando el cable de alimentación. Siempre sostenga el enchufe con firmeza y jale para extraerlo del tomacorriente.

Desconecte el electrodoméstico cuando no esté en uso.

No instale, repare, modifique ni reemplace cualquier pieza del electrodoméstico a menos que así se lo recomiende específicamente en la literatura que lo acompaña. Un técnico de servicio calificado debe realizar todas las demás reparaciones.

Antes de realizar cualquier tipo de reparación, corte el suministro eléctrico en el panel del disyuntor.

GUARDE ESTAS INSTRUCCIONES

Instrucciones importantes de seguridad

Este electrodoméstico no debe ser utilizado por personas (incluido niños) con capacidades físicas o sensoriales reducidas, o por personas que carezcan de experiencia y conocimientos, a menos que se encuentren bajo la supervisión adecuada de un responsable de su seguridad. Los niños deben estar supervisados, por su seguridad.

No permita que nadie, incluso niños, se sienta, pare o trepe sobre cualquier parte del electrodoméstico, incluso la puerta. Hacerlo puede provocar daños, lesiones graves o la muerte.

Si el cable de alimentación está dañado, debe ser reemplazado por el fabricante o por un técnico de reparación calificado a fin de evitar riesgos de seguridad. No utilice los controles en forma indebida.

Limpie el electrodoméstico regularmente como se indica en la sección Cuidado y limpieza del Manual del usuario. Limpie el balde o cajón de hielo regularmente.

Cuando el congelador esté funcionando, no toque las superficies internas de acero inoxidable con las manos mojadas o húmedas, dado que la piel puede adherirse a las superficies muy frías.

No utilice ningún tipo de equipo eléctrico dentro de los compartimientos del refrigerador o congelador.

No obstruya ninguna de las ventilaciones o aberturas del electrodoméstico.

A fin de evitar el riesgo de que el electrodoméstico caiga de costado es obligatorio sujetarlo mediante los dos soportes antivuelco provistos.

Utilice el electrodoméstico únicamente con el fin para el que ha sido diseñado: el almacenamiento de alimentos y bebidas. No ha sido diseñado para el uso comercial o industrial.

Al realizar la instalación tenga cuidado de que la caja de componentes eléctricos no esté dañada por la desviación de la descarga.

Abra y sostenga la manija al abrir y cerrar la puerta.

Al abrir y cerrar la puerta, tenga cuidado de no poner las manos en la entrada.

GUARDE ESTAS INSTRUCCIONES

Información de seguridad y advertencias

Seguridad de la instalación

Seguridad de la instalación y la ubicación

ADVERTENCIA

- Antes de instalar el refrigerador, conéctelo a un tomacorriente y enciéndalo para asegurarse de que funcione.
- Elija un lugar alejado del calor de calentadores, calderas o la luz solar directa.
- Instale la unidad donde el aire fluya libremente y donde el refrigerador esté bien ventilado.
- Instale la unidad de modo que el aire fluya sin obstrucciones a través de la parrilla delantera. Si no se asegura la circulación del aire, esto puede interferir con el funcionamiento normal del producto.
- Ciertos animales (roedores) pueden masticar el cable de alimentación y provocar un incendio; por lo tanto, instale la unidad en un lugar donde los animales no puedan acceder.
- Si el gabinete está hecho de material blando (por ejemplo, yeso, etc.), puede tener una estructura débil y dañarse. Por lo tanto, utilice un gabinete de material robusto y resistente.
- Instale el refrigerador con un equipo de al menos 2 personas.
- Consulte las dimensiones del gabinete y prepárelo con buena circulación de aire.
- Utilice un gabinete que no se deforme debido a las emisiones de calor del producto o a la humedad por la apertura y cierre del refrigerador.

NOTA

Este es un refrigerador de estilo “incorporado”, lo que significa que debe ser instalado dentro de un hueco en gabinetes de cocina existentes.

Antes de mover el refrigerador, despeje el camino hasta el lugar donde se instalará.

Verifique todas las dimensiones del producto y el radio de inclinación con cualquier puerta, pasillo, escalera, esquina, etc., para asegurar un paso sin obstrucciones.

ADVERTENCIA



Peligro de caída

Este electrodoméstico es relativamente pesado en su parte superior y tiende a caerse cuando no se instala en forma segura.

Mantenga las puertas cerradas con cinta adhesiva hasta que el refrigerador esté en su posición final y listo para ser asegurado en su lugar.

Hacen falta dos o más personas para trasladar e instalar el refrigerador.

De lo contrario, podría sufrir lesiones graves o incluso la muerte.

Información de seguridad y advertencias

 **PELIGRO**



Riesgo de explosión

Mantenga los materiales y vapores inflamables, como la gasolina, lejos del refrigerador.

No hacerlo puede provocar la muerte, una explosión o un incendio.

Especificaciones de instalación

ADVERTENCIA

Respete todos los códigos y ordenanzas durante la planificación e instalación. Comuníquese con el departamento de mantenimiento de edificios local para obtener más información.

ADVERTENCIA

Las conexiones eléctricas y de descarga a tierra deben cumplir con las partes pertinentes del código eléctrico nacional y/u otros códigos eléctricos.

Este electrodoméstico incluye un cable de alimentación con un enchufe con conexión a tierra de tres clavijas para una fuente de alimentación eléctrica de 115 Vac, 15 Amp. Enchúfelo únicamente en un tomacorriente de tres clavijas, con conexión a tierra y de 115 Vac.

A menos que haya instalado un **sistema de filtración** en toda la casa, el cartucho de agua provisto debe instalarse de acuerdo con el Manual del usuario.

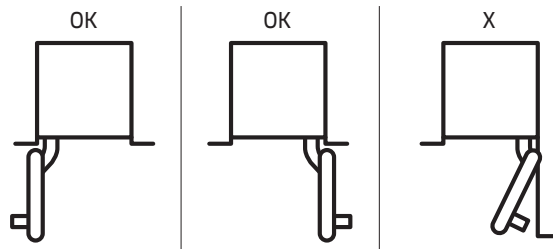
APAGUE la **fábrica de hielo** mediante la tecla **ICE (Hielo)** siempre que la válvula de suministro de agua esté cerrada. La tecla **ICE (Hielo)** se enciende cuando la fábrica de hielo está encendida.

El electrodoméstico está equipado con un sistema de iluminación con lámparas LED de alta intensidad. No mire fijo dichas lámparas cuando estén encendidas a fin de evitar daños a su visión.

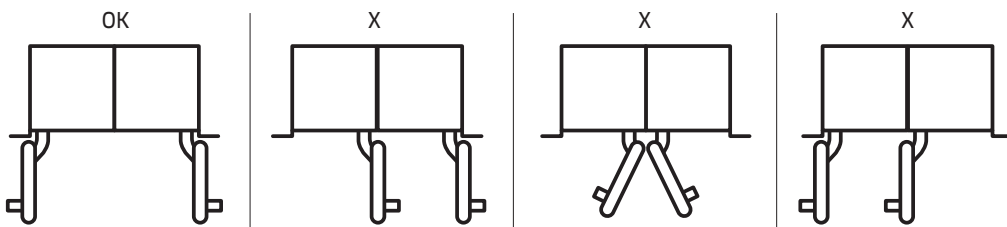
Opciones de instalación

Existen diversas opciones de instalación.
Están limitadas únicamente por el diseño de la cocina.

Electrodoméstico individual

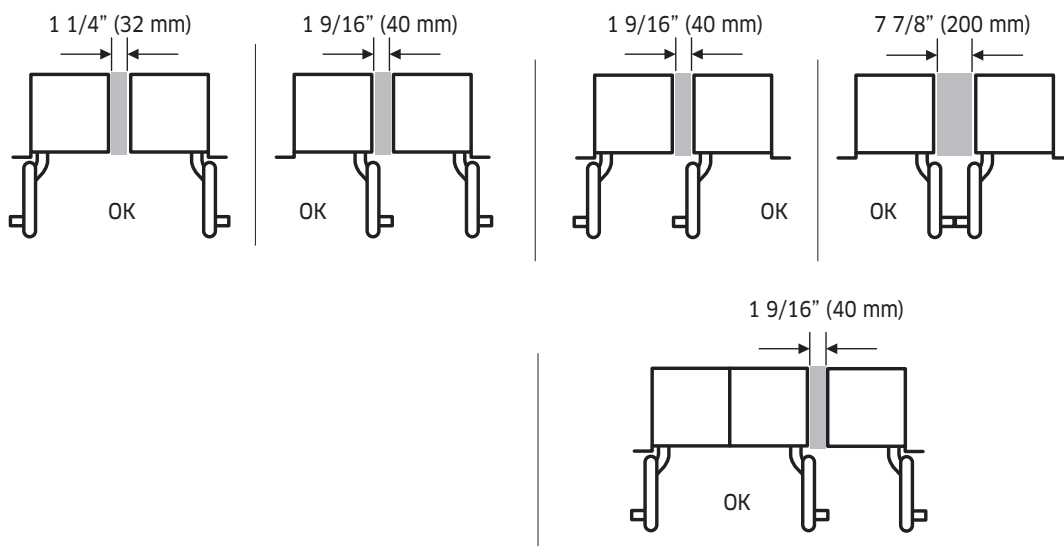


Lado a lado (Par)

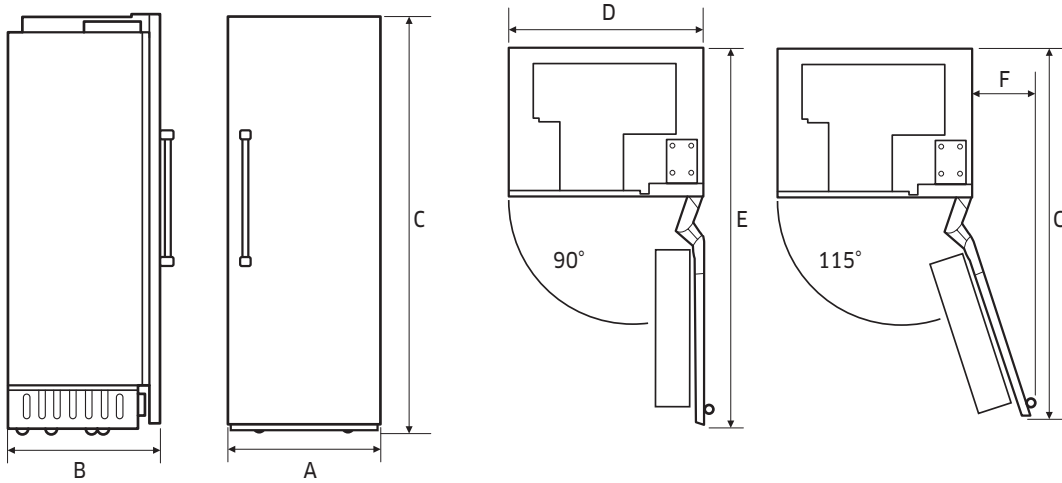


Electrodomésticos individuales con partición

Grosor mínimo de la partición 5/8" (16 mm)



Especificaciones del producto



Leyenda	18"	24"	30"	36"
A	17 3/4" (451 mm)	23 3/4" (603 mm)	29 3/4" (756 mm)	35 3/4" (908 mm)
B	25" (635 mm)			
C	83 3/8" (2118 mm)			
D	17 5/8" (447 mm)	23 5/8" (600 mm)	29 5/8" (752 mm)	35 5/8" (905 mm)
E	44 3/4" (1136 mm)	50 3/4" (1289 mm)	56 11/16" (1440 mm)	62 7/8" (1597 mm)
F	11 13/16" (275 mm)	13 11/16" (348 mm)	16 9/16" (421 mm)	20 9/16" (496 mm)
G	43 7/8" (1114 mm)	49 11/16" (1261 mm)	55 5/16" (1404 mm)	61 5/16" (1556 mm)

Especificaciones del producto

Especificaciones del panel personalizado

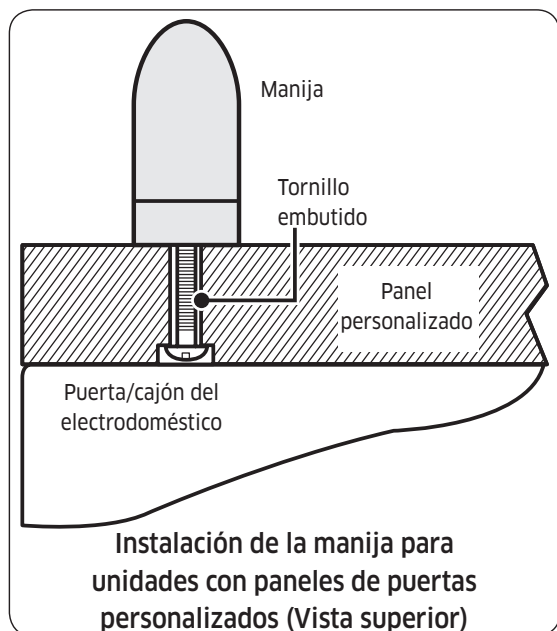
No supere la carga máxima que el panel personalizado puede soportar. Antes de confeccionar el panel, verifique la solidez del material del panel y la carga de los accesorios del panel.

	18"	24"	30"	36"
Panel personalizado Peso máximo (incluye la manija)	132 lb (60 kg)	110 lb (50 kg)	88 lb (40 kg)	66 lb (30 kg)

NOTA

- Panel personalizado Peso máximo (incluye la manija) = Carga límite de bisagra (242 lb) – Peso de puerta y carga.
- El grosor del panel personalizado es de $\frac{3}{4}$ " (19 mm).

Especificaciones de la manija



Antes de instalar los paneles personalizados, debe instalar las manijas de la puerta/cajón. Los modelos con paneles personalizados, cuentan con la ventaja de poder seleccionar un estilo de manija de acuerdo con su gusto personal. Las manijas no se proveen con los modelos para paneles personalizados. Hay kits de manijas selectos disponibles a través de su distribuidor Dacor. Dacor no recomienda el uso de tiradores.

La mayoría de los kits de manijas no incluyen los tornillos de montaje necesarios dado que la longitud varía de acuerdo con el grosor del panel.

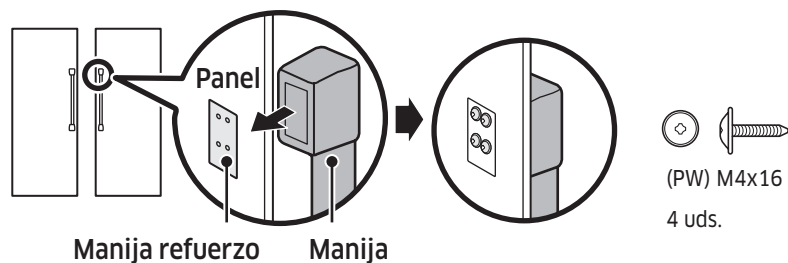
El fabricante del panel debe seleccionar y comprar los tornillos necesarios para la instalación. Las cabezas de los tornillos deben embutirse en el panel a fin de evitar interferencias durante el ajuste.

Instalación de la manija provista por Dacor

⚠ ADVERTENCIA

Siga estas instrucciones para instalar la manija provista por Dacor. De lo contrario, la manija puede dañarse o funcionar inadecuadamente.

1. Coloque el soporte reforzado de la manija en la parte trasera del panel de la puerta y luego coloque la manija en la parte delantera del panel de la puerta.
2. Fije los 4 tornillos en los lados superior e inferior de la manija, tal como se muestra. No los apriete excesivamente.



Instalación

ADVERTENCIA

No instale el electrodoméstico:

- en exteriores,
- en un ambiente con caída de agua.

El electrodoméstico es muy pesado:

Refrigerador de 24" aprox. 377 lb / 171 kg

Refrigerador de 30" aprox. 472 lb / 214 kg

Refrigerador de 36" aprox. 567 lb / 257 kg

Congelador de 18" aprox. 289 lb / 131 kg

Congelador de 24" aprox. 386 lb / 175 kg

Congelador de 30" aprox. 483 lb / 219 kg

Congelador de 36" aprox. 580 lb / 263 kg

Sala de instalación

El electrodoméstico debe instalarse en una habitación seca y ventilada.

Instalación segura

El electrodoméstico es muy pesado y tiende a caer hacia adelante cuando la puerta está abierta.

No abra la puerta hasta que no haya ninguna posibilidad de que el electrodoméstico se caiga.

La manera más segura de instalar el electrodoméstico es utilizar los dispositivos antivuelco provistos.

Piso

La superficie inferior debe estar nivelada y uniforme a fin de garantizar que el electrodoméstico esté instalado en forma segura y funcione correctamente.

La superficie inferior debe estar hecha de un material duro, no flexible para cubrir el peso del electrodoméstico.

Alinear el electrodoméstico

A fin de garantizar que el electrodoméstico funcione correctamente, debe estar nivelado adecuadamente.

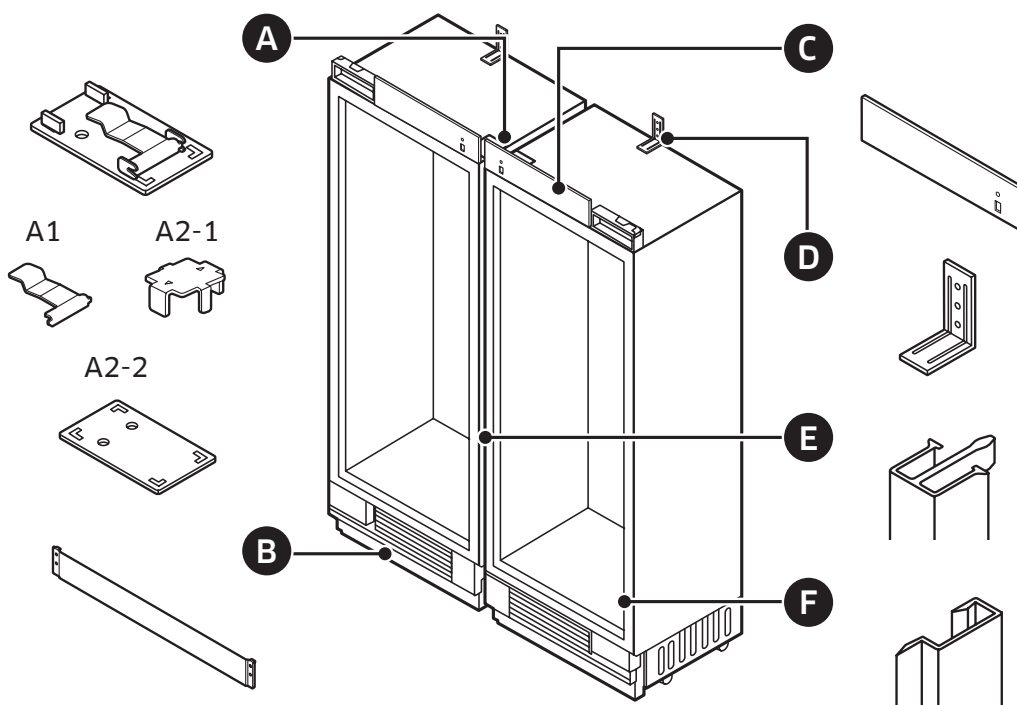
Si el electrodoméstico no está nivelado, puede caer agua de la fábrica de hielo, los cubos de hielo pueden ser irregulares y es posible que las puertas no cierren correctamente.

Requisitos de instalación

Preparación para la instalación

Piezas de instalación del gabinete

Utilizando la tabla que aparece en la siguiente página, verifique que todas las piezas de instalación estén presentes al desembalar el electrodoméstico.



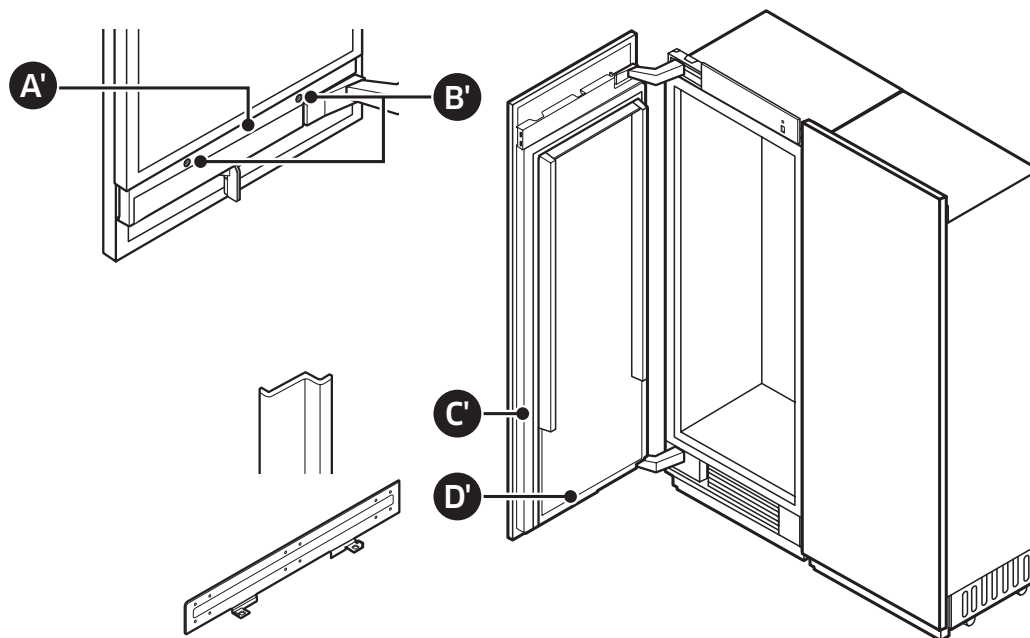
Controle las piezas de instalación al desembalar el electrodoméstico.

PIEZAS		ÚNICA-INSTALACIÓN	PAR-INSTALACIÓN	
A	A1	PALANCA	-	2
	A2-1	PLACA INFERIOR	-	1
	A2-2	PLACA SUPERIOR	-	1
B	PLACA DE PROTECCIÓN	1	2	
C	Cubierta superior del refrigerador	1	2	
D	SOPORTE ANTIVUELCO	18", 24", 30" : 1 36" : 2	18", 24", 30" : 2 36" : 4	
E	BORDE CENTRAL	-	1	
F	BORDE LATERAL DEL GABINETE	2	2	

Requisitos de instalación

Piezas de instalación de la puerta






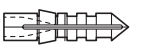
Utilizando la tabla que aparece a continuación, verifique que todas las piezas de instalación de la puerta estén presentes al desembalar el electrodoméstico.




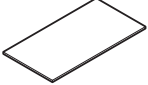
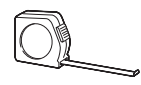

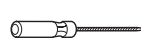
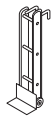
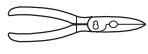
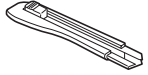


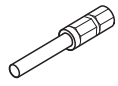
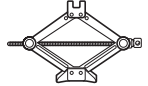
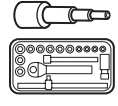

Controle las piezas de instalación al desembalar el electrodoméstico.

PIEZAS		ÚNICA-INSTALACIÓN	PAR-INSTALACIÓN
A'	TAPA INFERIOR DE LA PUERTA	1	2
B'	TAPA	2	4
C'	BORDE LATERAL DE LA PUERTA	2	4
D'	SOPORTE DEL PANEL	2	4

Tornillo y tuerca

	M6x12	12 uds.		(FH) M4x14	22 uds.
	(TH) M4x16	24 uds.		M4x35	3 uds. (36": 6 uds.)
	M8	2 uds.		ø6x30	3 uds. (36": 6 uds.)

Herramientas necesarias

NO	Herramienta	NO	Herramienta
1	 Destornillador eléctrico	8	 Alfombra protectora
2	 Cinta métrica	9	 Escalera de tijera
3	 Destornillador plano	10	 Plataforma móvil para el electrodoméstico
4	 Cortador (Tijera)	11	 Cutter
5	 Llave ajustable	12	 Nivel
6	 Destornillador Phillips	13	 Gato
7	 Trinquete 3/8" (10 mm), 1/2" (13 mm)	14	 Llave combinada 3/8" (10 mm), 1/2" (13 mm)

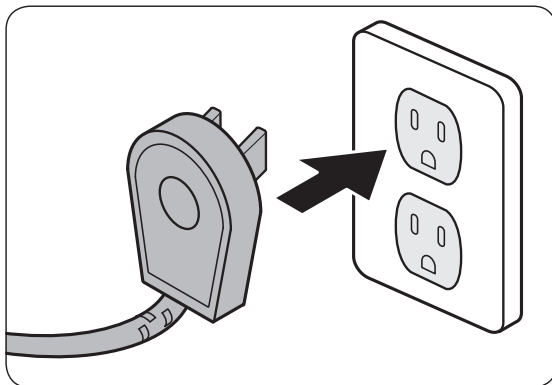
Requisitos de instalación

Conexión a tierra del refrigerador

PRECAUCIÓN

Las conexiones eléctricas y de descarga a tierra deben cumplir con las partes pertinentes del código eléctrico nacional y/u otros códigos eléctricos.

Este electrodoméstico incluye un cable de alimentación con un enchufe con conexión a tierra de tres clavijas para una fuente de alimentación eléctrica de 115 Vac, 15 Amp. Enchúfelo únicamente en un tomacorriente de tres clavijas, con conexión a tierra y de 115 Vac.



BAJO NINGUNA CIRCUNSTANCIA CORTE O quite LA TERCERA CLAVIJA (CONEXIÓN A TIERRA) DEL CABLE DE ALIMENTACIÓN. NO UTILICE UN ENCHUFE ADAPTADOR PARA CONECTAR EL REFRIGERADOR A UN TOMACORRIENTE DE 2 CLAVIJAS. NO UTILICE UN CABLE PROLONGADOR CON ESTE ELECTRODOMÉSTICO.

ADVERTENCIA



Riesgo de descarga eléctrica

Enchufe a un tomacorriente de 3 clavijas exclusivo, conectado a tierra.

No retire la clavija de conexión a tierra.

No utilice un adaptador.

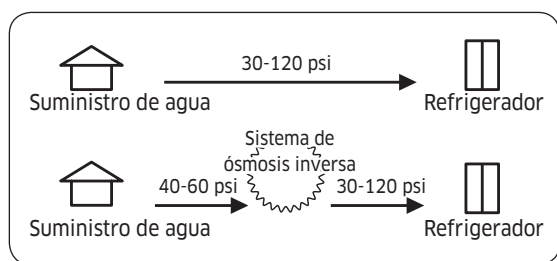
No utilice un cable prolongador.

No seguir estas instrucciones puede provocar la muerte, un incendio o una descarga eléctrica.

Requerimientos de presión de agua

Se requiere un suministro de agua fría con presión entre 30 y 120 psi (207 y 827 kPa) para hacer funcionar el dispensador de agua y la fábrica de hielo.

Si tiene dudas sobre la presión del agua, llame a un instalador calificado autorizado.



Sistema de ósmosis inversa en el suministro de agua

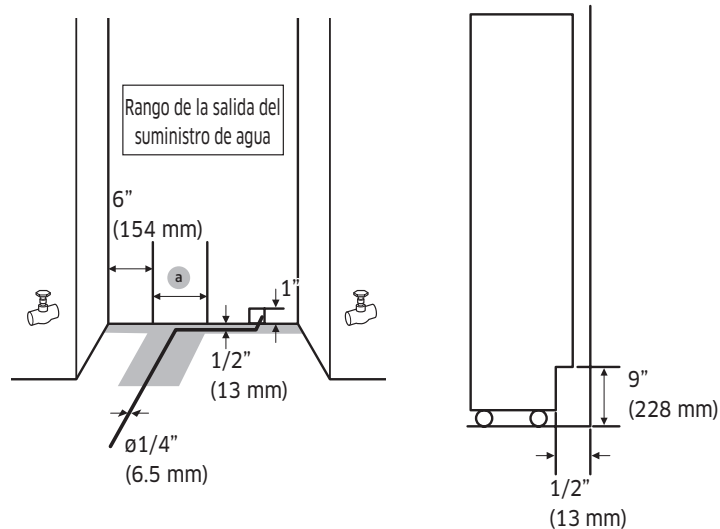
IMPORTANTE: La presión del suministro de agua que sale del sistema por ósmosis inversa y va a la válvula de entrada de agua del refrigerador debe estar entre 30 y 120 psi (207 y 827 kPa).

La presión de agua desde el suministro de agua fría al sistema de ósmosis inversa debe ser de 40 a 60 psi (276 a 414 kPa) como mínimo.

Requisitos de instalación

Conexión al suministro de agua principal

Antes de conectar la tubería de agua del refrigerador al suministro de agua de la casa debe familiarizarse con el diseño de las tuberías de la casa.

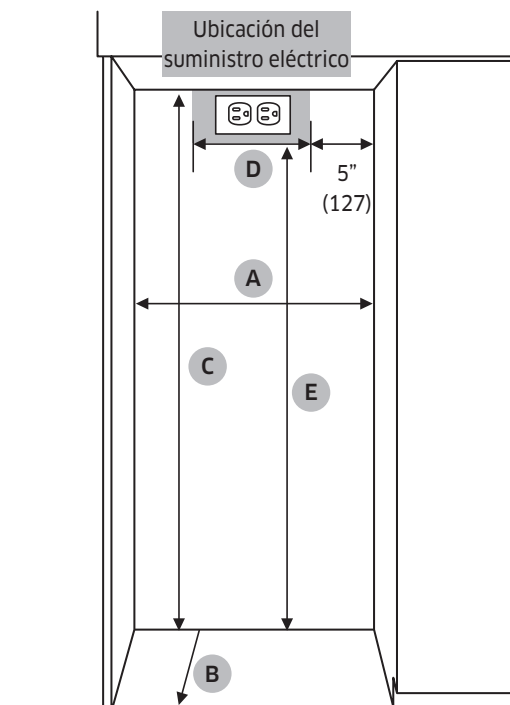


Legenda	18"	24"	30"	36"
a	3" (76 mm)	5 1/2" (140 mm)	6" (154 mm)	9" (228 mm)

1. Decida la mejor manera de utilizar el diseño de las tuberías. Luego
2. Acceda al conducto principal de agua siguiendo estos requisitos:
 - El instalador debe proporcionar el conducto de agua de 1/4 pulgadas (6.5 mm) y todos los accesorios.
 - El conducto de agua debe ser lo suficientemente largo como para permitir el traslado del refrigerador para la limpieza y el mantenimiento del piso, sin necesidad de desconectar primero el conducto.
 - Todas las nuevas instalaciones deben cumplir con los requisitos del código de plomería local.
 - El cierre de agua debe colocarse en el gabinete de la base en cualquiera de los laterales del refrigerador o en alguna otra zona de fácil acceso.
 - Si la válvula de cierre de agua se coloca en la pared trasera detrás del refrigerador, debe quedar en un ángulo que impida que el conducto de agua se doble cuando el refrigerador sea empujado a su posición final.
 - Asegúrese de que la tubería de suministro de agua esté dentro del rango que se muestra en las ilustraciones de 1".

- La manguera de agua está ubicada a 1/2" de la pared posterior, y se retira hacia adelante a lo largo de la zona gris de la figura anterior. La manguera de agua debe estar adherida al piso.

Requerimientos especiales del gabinete



- A : Ancho del gabinete
- B : Profundidad del gabinete
- C : Altura del gabinete
- D : Ubicación del suministro eléctrico, ancho
- E : Ubicación del suministro eléctrico, alto

Leyenda	18"	24"	30"	36"
A	18" (457 mm)	24" (610 mm)	30" (762 mm)	36" (915 mm)
B	25" (635 mm)	25" (635 mm)	25" (635 mm)	25" (635 mm)
C	84" (2134 mm)	84" (2134 mm)	84" (2134 mm)	84" (2134 mm)
D	8" (203 mm)	14" (356 mm)	20" (508 mm)	26" (660 mm)
E	80" (2032 mm)	80" (2032 mm)	80" (2032 mm)	80" (2032 mm)

- B : Incluye el panel de la puerta estándar de un grosor de 3/4".
- La instalación dentro de un gabinete de este ancho permite que el borde del refrigerador se ajuste directamente a los gabinetes cercanos.

Instrucciones de instalación

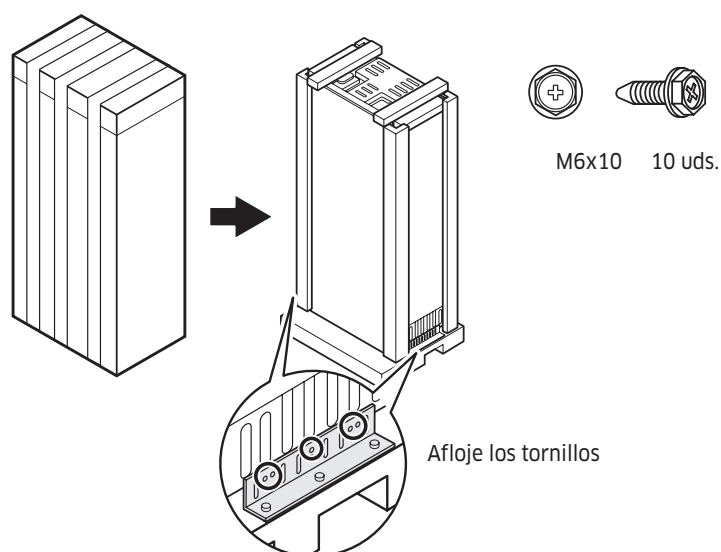
1. Desembalar el refrigerador

Controle el electrodoméstico a fin de detectar daños provocados por el transporte.

No instale el electrodoméstico si presenta daños visibles.

Si tiene alguna inquietud, consulte a su distribuidor.

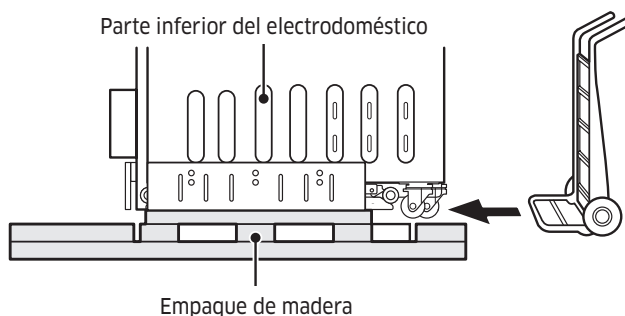
1. Retire las bandas de polipropileno, el embalaje de cartón, EPS y la bolsa.
2. Retire los soportes del pallet al retirar los tornillos (cinco por soporte).



PRECAUCIÓN

Tenga cuidado de no dañar el electrodoméstico al descargarlo del pallet.

3. Como se ilustra, inserte la carretilla de mano entre el electrodoméstico y el empaque de madera. Mientras inclina el electrodoméstico hacia atrás, descárguelo del empaque de madera.



2. Desplazar el refrigerador

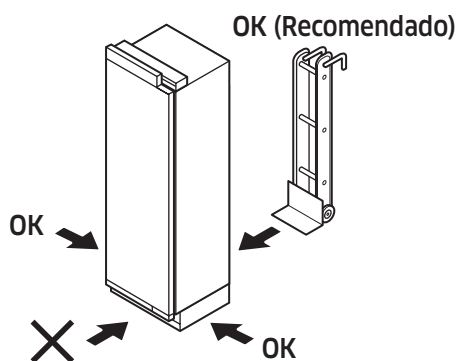
ADVERTENCIA

El electrodoméstico es muy pesado. Al mover el refrigerador, todo el personal debe tener cuidado de no lesionarse ni dañar el electrodoméstico.

1. Ajuste el refrigerador a un medio de transporte adecuado (preferentemente una plataforma deslizante para electrodomésticos) y lleve el refrigerador junto al gabinete de instalación.
 2. Mueva e instálelo con un mínimo de dos personas.
 3. Tenga cuidado de evitar daños al piso. Los pisos delicados deben protegerse con una madera, cartón duro o un material similar
 4. Antes de mover el refrigerador, verifique que pase por las aberturas de las puertas, escaleras y obstrucciones en altura.
- **RIESGO DE VUELCO:** El refrigerador es grande, pesado y se vuelca fácilmente cuando no se lo sujeta. Siempre mueva el refrigerador en posición vertical si fuera posible. Si no, muévalo boca arriba. Cierre y fije las puertas durante el transporte.

ADVERTENCIA

Tenga cuidado de no dañar la caja de componentes eléctricos durante la instalación.



Instrucciones de instalación

3. Preparación para la instalación

Desempaque los materiales y accesorios de instalación.

Consulte la sección de preparación para la instalación del capítulo Requerimientos de instalación.

4. Colocar el soporte antivuelco

⚠ ADVERTENCIA

Para evitar que la unidad caiga hacia adelante, debe instalarse un soporte antivuelco. Antes de colocar el soporte, asegúrese de que no haya cableado eléctrico ni tuberías en el área que atravesarán los tornillos. Se requiere un soporte por electrodoméstico.

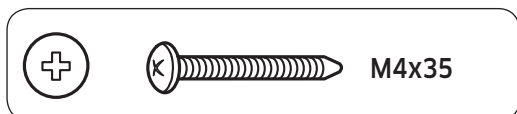
⚠ PRECAUCIÓN

Use siempre anteojos de seguridad y otros dispositivos o accesorios de protección necesarios al instalar o trabajar con fijaciones.

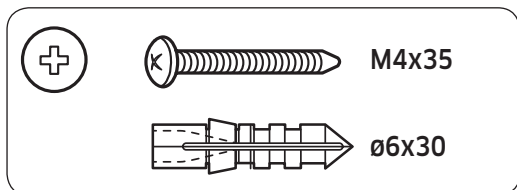
Dacor no recomienda que fije el soporte antivuelco en mampostería liviana (por ej.: bloques, ladrillos) o en cemento nuevo, sin curar.

Asegúrese de que la pared o el gabinete al que se ajustan los soportes sean lo suficientemente sólidos como para soportar la carga de seguridad.

Pared de madera



Pared de cemento

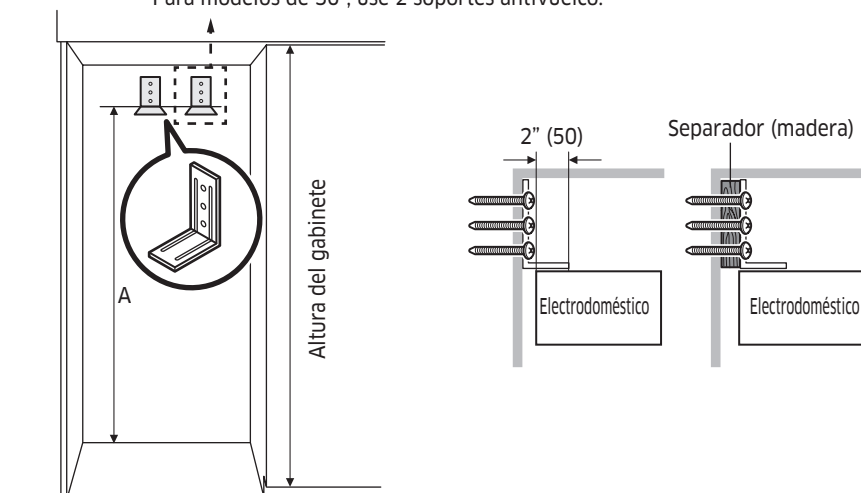


1. La altura del soporte se mide desde el piso y depende de la altura del gabinete.
2. Ajuste los soportes antivuelco. Asegúrese de que los tornillos se ajusten bien al soporte.


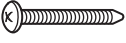



Los soportes antivuelco deben extenderse al menos 2" (50 mm) por encima del electrodoméstico a fin de fijarlo. Si no fuera posible cumplir con dicha longitud mínima por las condiciones estructurales, es posible hacerlo al ajustar un separador (madera) detrás del ángulo antivuelco.

Para modelos de 36", coloque 2 soportes antivuelco en intervalos y fíjelos con 3 tornillos por soporte en una pared de madera, o con 3 tornillos y 3 fijaciones por soporte en una pared de cemento. Para los otros modelos, puede usar un soporte antivuelco para el fin previsto.

Para modelos de 36", use 2 soportes antivuelco.



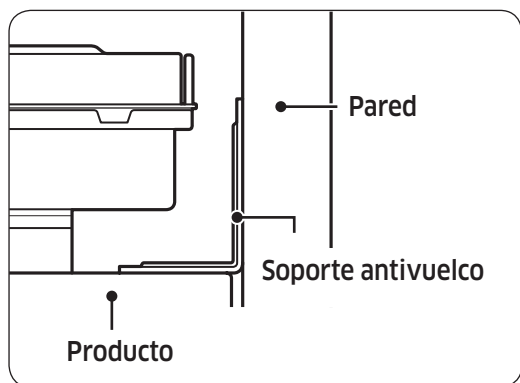
Opción	Altura del gabinete	A
1	83 1/2" (2121 mm)	79 1/2" (2019 mm)
2	83 3/4" (2127 mm)	79 5/8" (2023 mm)
3	84" (2134 mm)	79 7/8" (2030 mm)
4	84 1/4" (2140 mm)	80 1/8" (2036 mm)

		18"	24"	30"	36"
SOPORTE ANTIVUELCO			1 ud.		2 uds.
pared de madera	  M4x35		3 uds.		6 uds.
pared de cemento	  M4x35		3 uds.		6 uds.
	 ø6x30 (FIJACIÓN)		3 uds.		6 uds.

- 3 tornillos/fijaciones por soporte.

Instrucciones de instalación

Consideraciones sobre el soporte antivuelco

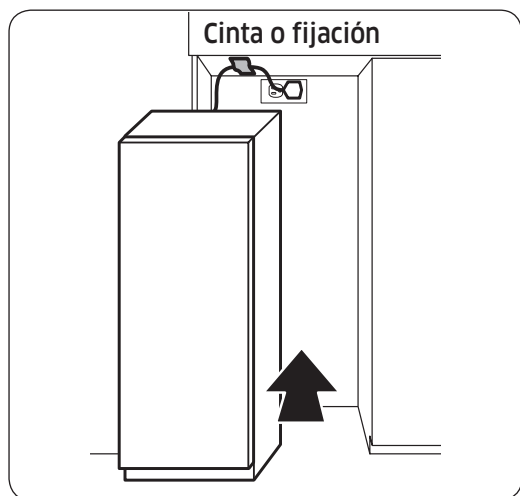


1. Posición del soporte: siga la tabla de alturas específica para el gabinete.
2. Tornillos: Ajuste los 3 tornillos en los soportes.
3. Empuje el producto hacia arriba contra la pared trasera del gabinete.
4. Separador: Si utiliza el separador debe seguir las especificaciones de ubicación del soporte (consulte la tabla anterior).

⚠ PRECAUCIÓN

- La altura del separador se debe calcular en base a la profundidad del gabinete.
- El separador debe fijarse separadamente del gabinete.

Instalación del producto en el gabinete



Antes de instalar el producto en el gabinete, enchufe el cable de alimentación. Luego, fije el cable de alimentación junto al frente del gabinete utilizando cinta adhesiva o una fijación como una grapa, un clavo, etc. Luego de instalar el producto en el gabinete, asegúrese de que el cable de alimentación se encuentre sobre la parte superior del producto (como se muestra en la figura).

5. Retirar la cubierta superior de la puerta, placa de protección

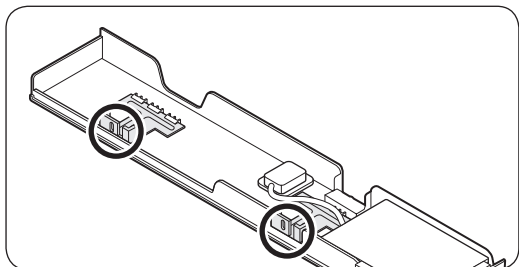
Debe retirar la tapa superior de la puerta y la placa de protección antes de ajustar el panel de la puerta personalizado.



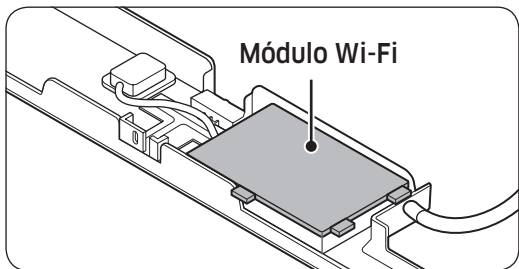
Cubierta superior de la puerta			M5x16	4 uds.
Placa de protección			M4x8	2 uds.

Instrucciones de instalación

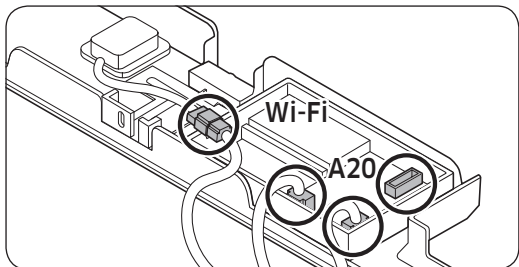
- Cubierta superior de la puerta: Afloje los tornillos y retire la cubierta.



1. Retire los 4 tornillos que fijan la cubierta de la puerta.

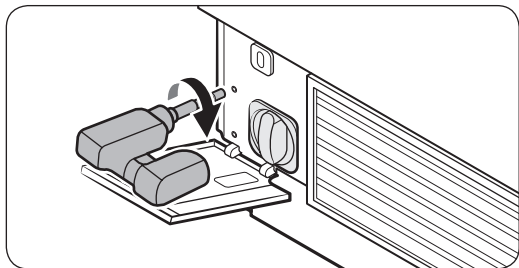


2. Retire la tapa del módulo Wi-Fi del interior de la cubierta de la puerta.

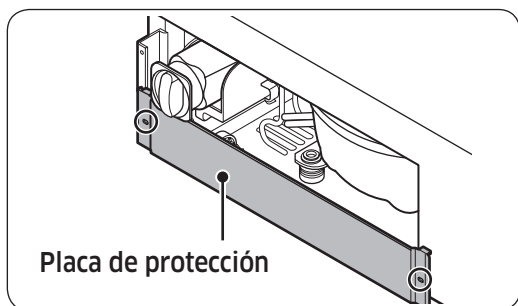


3. Desconecte los conectores del gabinete para separar la cubierta superior de la puerta.

- Placa de protección: En una instalación lado a lado, retire la tapa de la rejilla. Esto no es aplicable para las instalaciones independientes.



1. Empuje para abrir la cubierta del filtro de agua. Quite los tornillos laterales y retire la tapa de la rejilla.

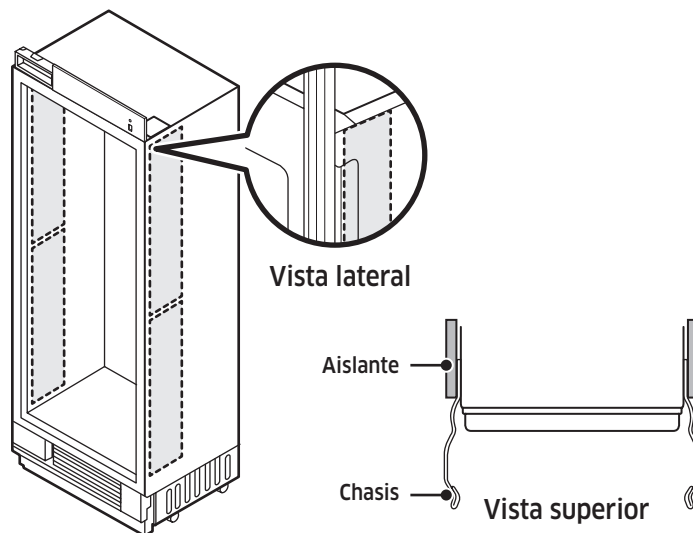


2. Retire los tornillos de ambos lados y retire la placa de protección.

Instrucciones de instalación

6. Instalar aislantes a cada lado del congelador o del refrigerador

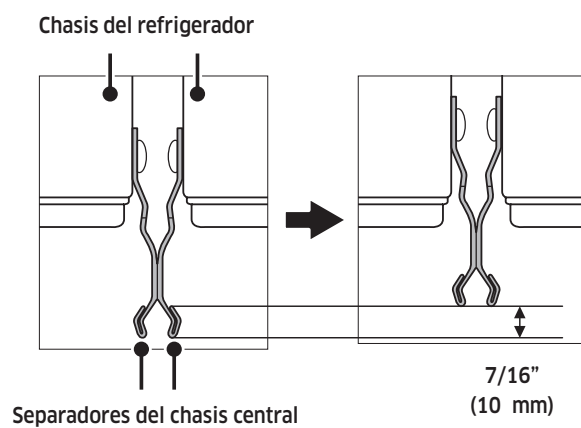
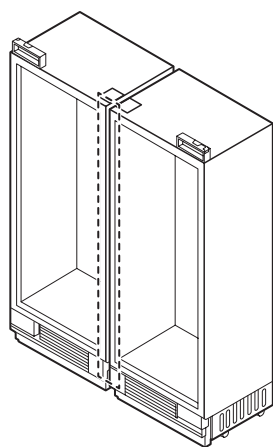
Instale 2 aislantes a cada uno de los lados del congelador o del refrigerador como se muestra. Instale los aislantes de manera que cubran los tornillos del chasis lateral.



7. Instalación lado a lado (Par)

Reposicionar los separadores centrales del chasis

1. Retire el separador central del chasis del conjunto.
2. Coloque nuevamente los separadores a 7/16 pulg. (10 mm) de su posición original (ver el siguiente gráfico).



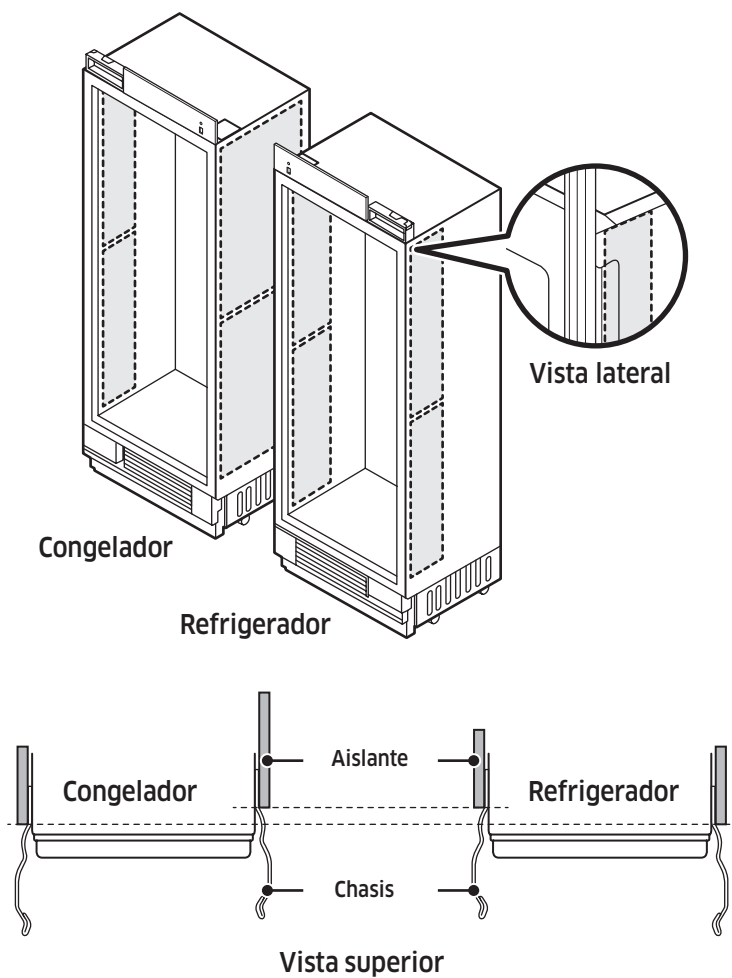
Instrucciones de instalación

Instalar un aislante

Instale el aislante en una de las superficies de contacto.

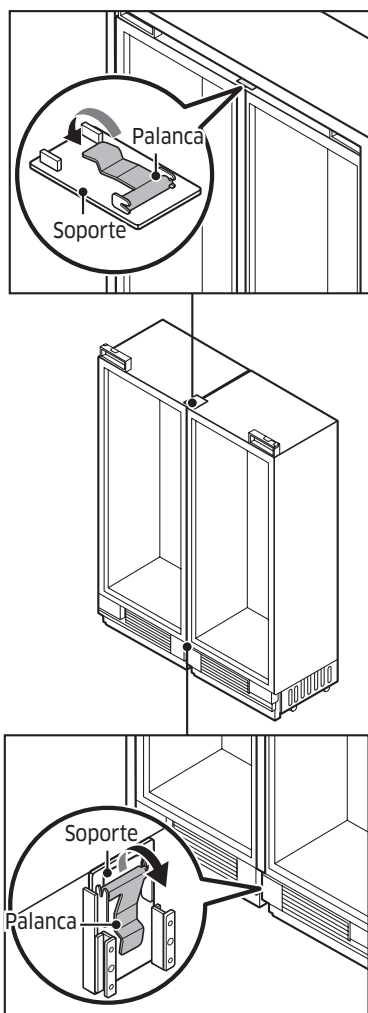
Si el refrigerador y el congelador están emparejados lado a lado, instale el aislante en el refrigerador.

1. Instale un aislante de gran tamaño en una de las superficies de contacto. Si el refrigerador y el congelador están emparejados lado a lado, instale el aislante en el congelador de manera que cubra los tornillos del chasis lateral.
2. Instale los aislantes pequeños a cada lado del congelador y del refrigerador de manera que cubran los tornillos del chasis lateral.
3. Alinee el aislante con el extremo del separador central del chasis.



Conectar los dos chasis

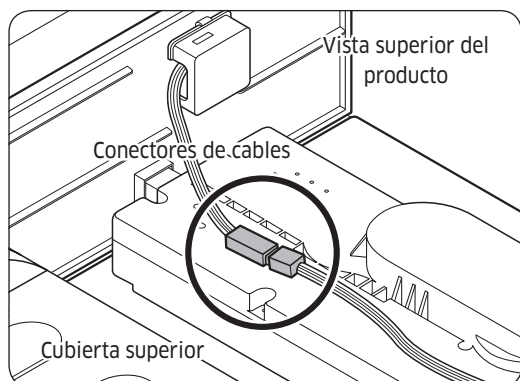
1. Hacer la conexión superior.
 - Coloque el soporte rectangular a las solapas que sobresalen de la parte superior de cada chasis (ver el gráfico).
 - Ajuste la palanca para conectar los dos chasis.
2. Hacer la conexión inferior.
 - Inserte el soporte en la ranura de la parte inferior de los dos chasis.
 - Ajuste la palanca para conectar los dos chasis.



Instrucciones de instalación

8. Colocación de la cubierta superior del refrigerador

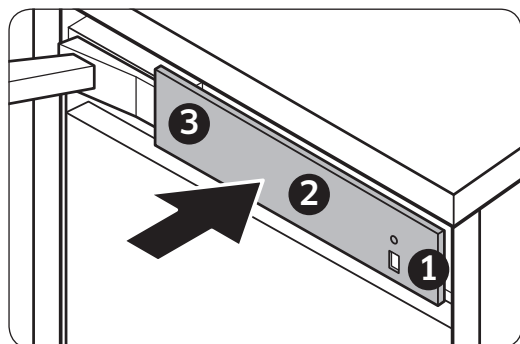
El sensor de intensidad de la luz está instalado en la cubierta superior. Antes de colocar la cubierta superior, conecte el conector del sensor de intensidad de la luz.



1. Conecte el conector del sensor de intensidad de la luz.
Conecte los cables de las partes eléctricas de alrededor del equipo de apertura automática de la puerta y luego inserte los cables en la tubería rectangular.

PRECAUCIÓN

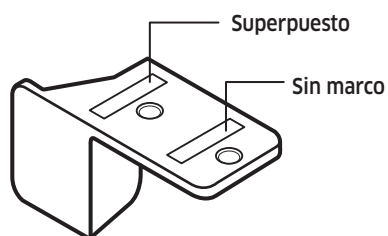
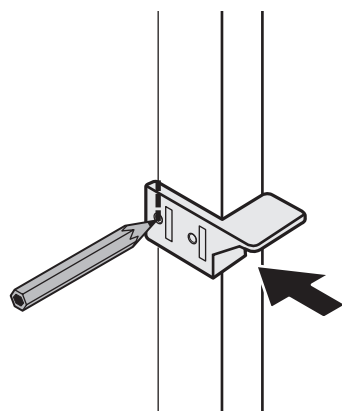
Tenga cuidado de no dañar los cables.



2. Para colocar la cubierta superior, fije los ganchos en el orden de los números que se muestran en la figura.

9. Colocar le refrigerador en su estructura

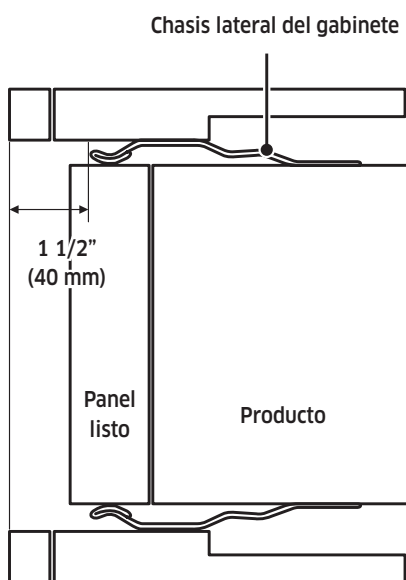
- De acuerdo con el tipo de gabinete puede utilizarse una guía (accesorio para el posicionamiento) para alinear el panel personalizado de la puerta del refrigerador con el gabinete mediante una línea vertical en el gabinete.



Guía (accesorio para el posicionamiento)

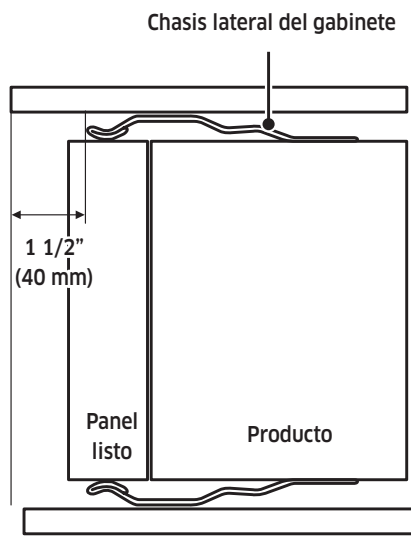
- Posicione el chasis lateral del gabinete para alinearlo con su línea vertical.

Tipo superpuesto



Vista superior

Tipo sin marco



Vista superior

Instrucciones de instalación

PRECAUCIÓN

Al empujar el refrigerador dentro de la estructura, tenga cuidado de no dañar la cañería de agua y el cable de alimentación.

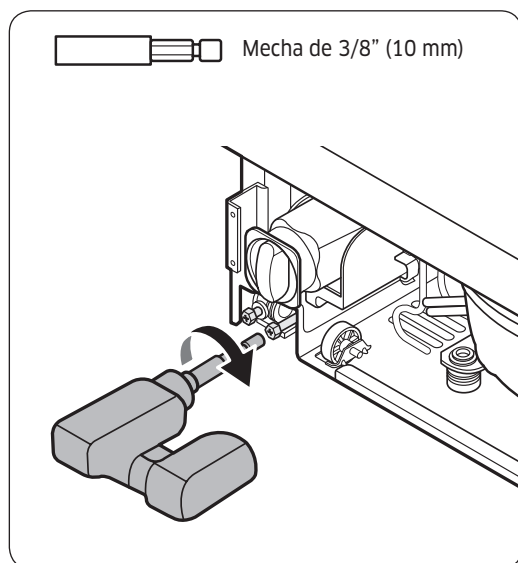
La manguera de agua debe ajustarse al piso antes de sacarla hacia el frente. También coloque el cable de alimentación detrás del electrodoméstico a fin de asegurar que nadie lo pise ni se tropiece con él.

ADVERTENCIA

Mientras mueve el refrigerador, tenga cuidado de no lesionar al personal que lo asiste ni dañar el refrigerador en sí.

1. Antes de mover el refrigerador, conecte el cable de alimentación.
2. Coloque el cartón o la madera de embalaje en el camino del refrigerador a fin de proteger el piso mientras mueve el electrodoméstico.
3. Empuje cuidadosamente el refrigerador en su estructura.
4. Alinee el borde delantero del separador del chasis con la línea vertical que trazó en el gabinete.

10. Nivelar del refrigerador



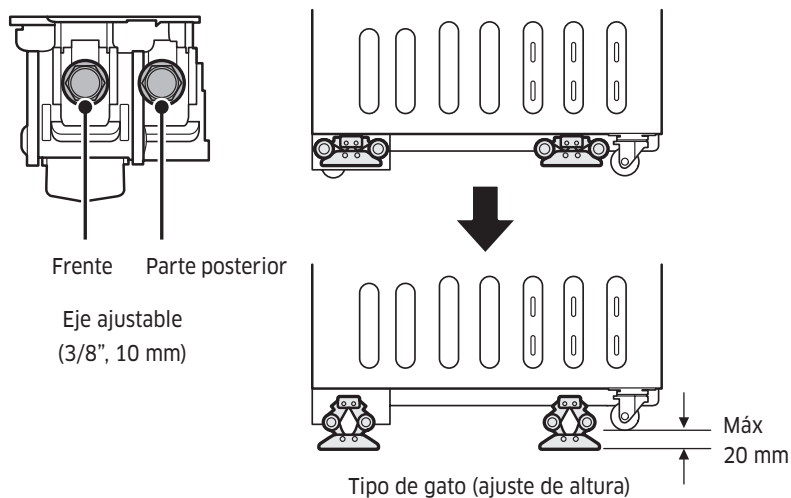
1. Utilice el taladro y la mecha que se ilustran a continuación y ajuste los ejes del ajuste del refrigerador y nivele el refrigerador. (CW ↑, CCW ↓)
2. Ajuste la separación entre el mueble y la cubierta superior del refrigerador a 1/8 pulg. (3 mm).

⚠ PRECAUCIÓN

Las patas niveladores frontales y traseras tienen una altura máxima de ajuste de 3/4 pulg. (20 mm).

Si se requiere una altura mayor, el instalador podrá elevar el refrigerador sobre una placa de madera o tabla corrediza.

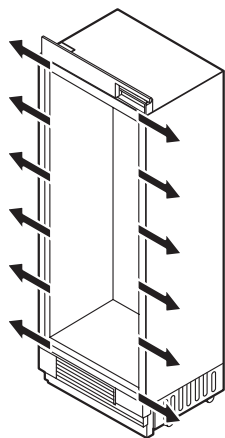
Elevar el refrigerador a más de 3/4 pulg. (20 mm) dañará los componentes de nivelación delanteros y traseros.



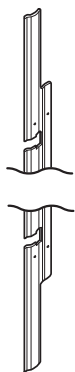
Instrucciones de instalación

11. Ajuste del refrigerador

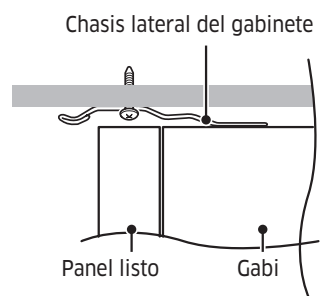
Ajuste el refrigerador a su estructura con tornillos (TH) M4x16 (6 tornillos por lado como se ilustra en el gráfico).



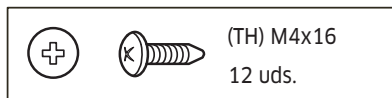
Ubicación fija



Chasis lateral del gabinete

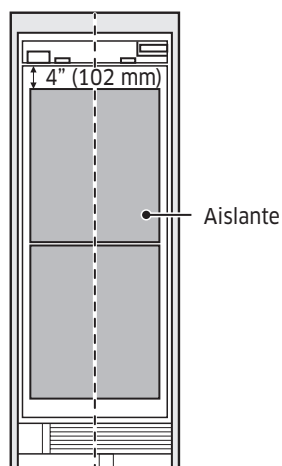


Vista superior



12. Ajustar el aislamiento del panel frontal

- Ajuste el aislamiento al frente de la puerta del refrigerador. (Asegúrese de que la posición de instalación sea la correcta.)
1. Centre el panel de la puerta y el aislamiento como se ilustra en el siguiente gráfico.
 2. Coloque el aislamiento a 4 pulg. (102 mm) de la parte superior de la puerta. (Ver el gráfico.)

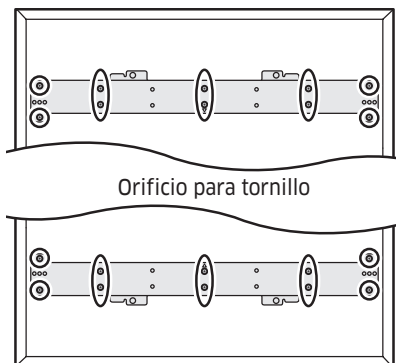


13. Colocar los soportes del panel personalizado de la puerta

Ajuste los soportes del panel a la parte superior e inferior del panel.

Panel personalizado: STS

Coloque 10 tornillos en los soportes superiores e inferiores como se ilustra en el gráfico. (Los otros orificios en los laterales de los soportes son para otra aplicación).

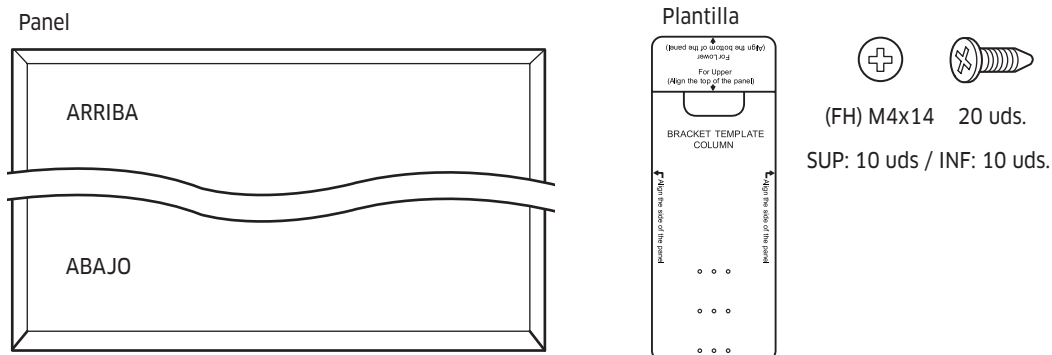


  (FH) M4x14 20 uds.
SUP: 10 uds / INF: 10 uds.

Instrucciones de instalación

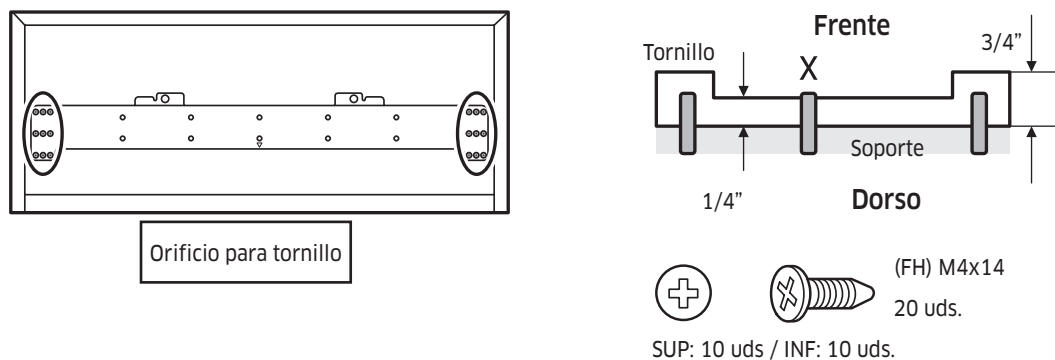
Panel personalizado: Madera, otro

- La plantilla le indica la posición del soporte y los orificios.
- Marque la posición de los orificios en cada esquina del panel de acuerdo con la plantilla e inserte los tornillos.



Panel personalizado: Empotrado, otro

Si, por el tipo de diseño, el panel no pudiera ajustarse al centro del soporte, utilice los orificios adecuados en los laterales del soporte para ajustar el panel.

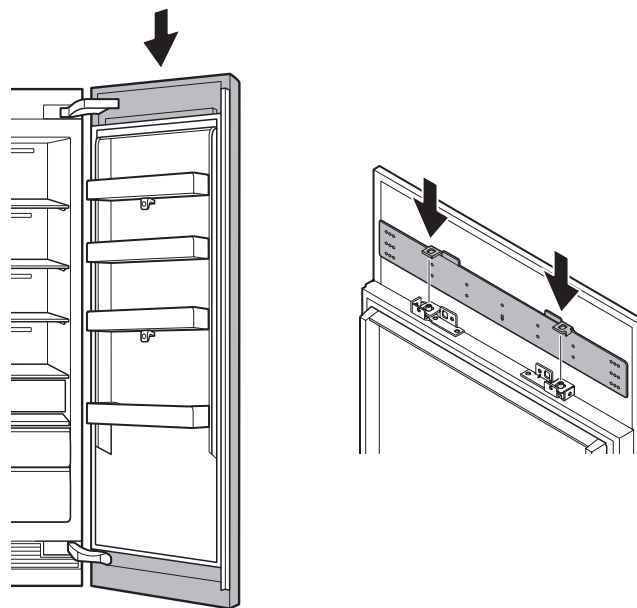


14. Colgar un panel personalizado

ADVERTENCIA

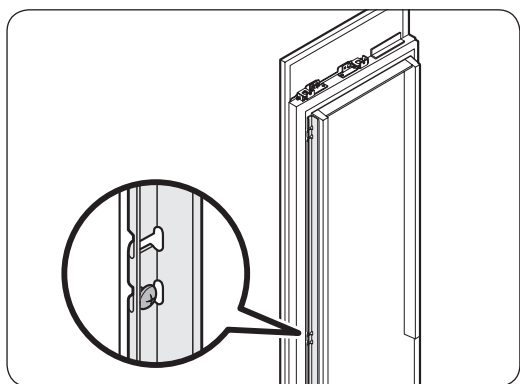
Si instala un panel personalizado antes de ajustar el electrodoméstico al gabinete, el panel personalizado podría caerse. A fin de evitarlos, debe seguir las instrucciones de instalación.

- Cuelgue el soporte del panel a la altura del tornillo de ajuste. (Ver el gráfico.)



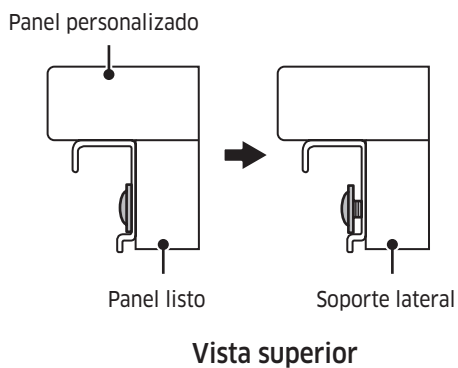
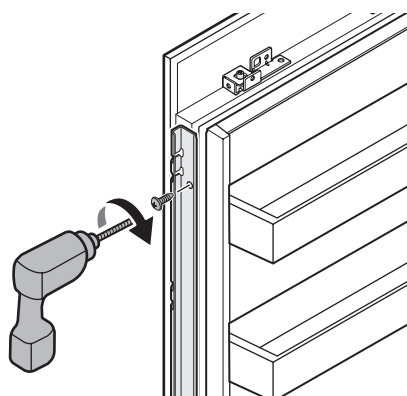
Instrucciones de instalación

15. Preparar el panel para el ajuste



1. Instale temporalmente el panel personalizado en el lado de la puerta ajustando el tornillo en el centro del panel.

2. Afloje, sin retirar, los seis tornillos sobre el lateral de la puerta a fin de que pueda ajustar el panel personalizado en sentido vertical.



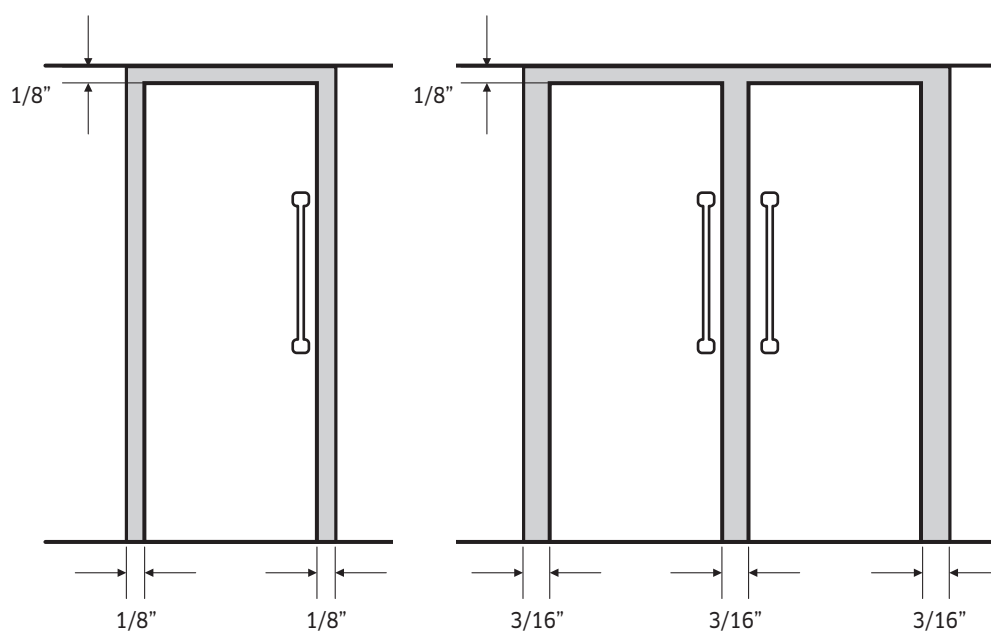
16. Alinear el panel

Hay dos mecanismos de ajuste de los paneles en la parte superior y dos en la parte inferior de la puerta.

Ajuste el panel de modo que se alinee con los gabinetes cercanos.

El espacio entre el gabinete y el panel debe ser de:

- 1/8" (3 mm) en la parte superior
- 1/8" (3 mm) en el lateral para una instalación simple
- 3/16" (4 mm) en el lateral para una instalación en par



Parte superior de la puerta

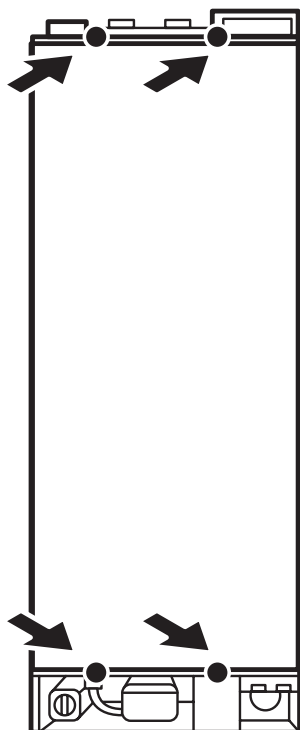
1. Utilice tornillos de rosca doble para alinear el panel de la puerta.
2. Ajuste un tornillo lateral (ver el gráfico) para colocar el panel lado a lado.
3. Ajuste el Tornillo 1 (ver el gráfico) para mover el panel hacia adelante/atrás; ajuste el Tornillo 2 para fijar el panel en su lugar.

Instrucciones de instalación

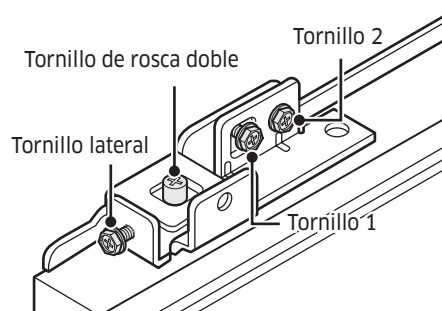
Parte inferior de la puerta

1. Ajuste un tornillo lateral (ver el gráfico) para colocar el panel lado a lado.
2. Ajuste el Tornillo 1 (ver el gráfico) para mover el panel hacia adelante/atrás; ajuste el Tornillo 2 para fijar el panel en su lugar.

● Mecanismos de ajuste de panel

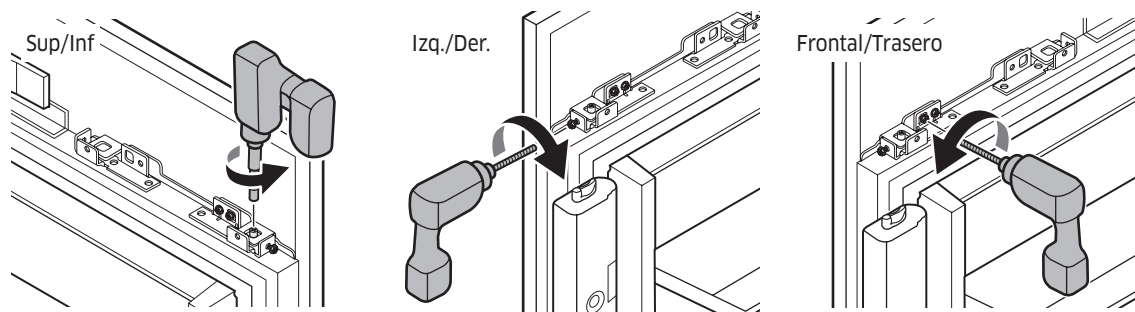


Cada uno 12 tornillos por puerta
M6x12 12 uds.

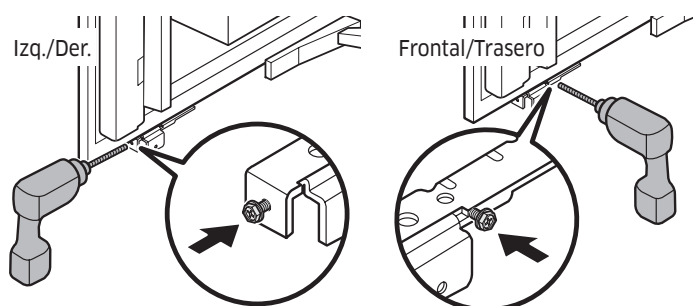


Mecanismo de ajuste de panel

Parte superior de la puerta

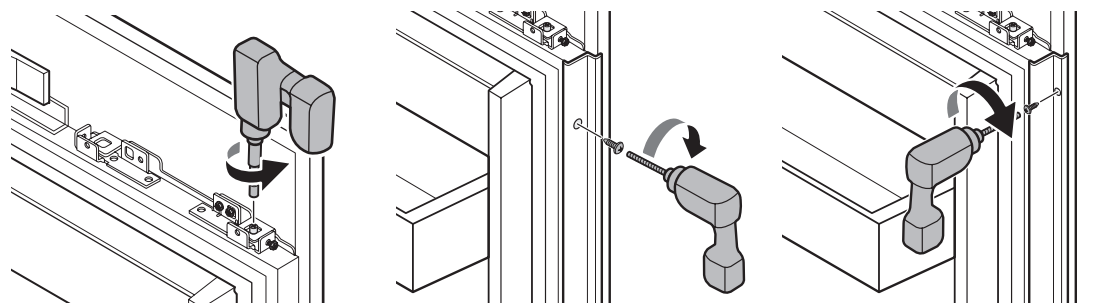


Parte inferior de la puerta



Ajustar el panel a la puerta

1. Ajuste las tuercas correctamente a los tornillos de tuerca doble.
2. Coloque el borde lateral del panel.



Dos tuercas por conjunto
 M8

Seis tornillos por lado
 (en el borde)

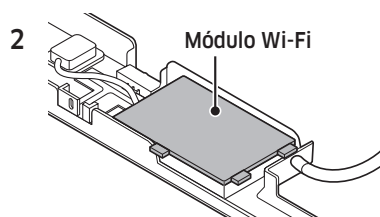
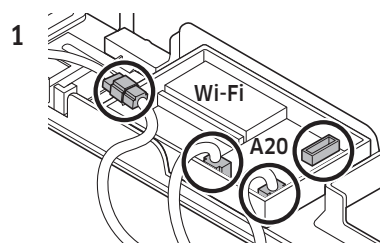
Seis tornillos por lado
 (en el panel)

Instrucciones de instalación

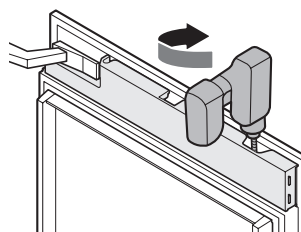
17. Colocar las cubiertas interiores de la puerta

Cubierta superior de la puerta

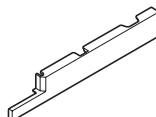
1. Consulte las siguientes figuras e instale los conectores del gabinete en la puerta.
2. Cierre la tapa del módulo Wi-Fi del interior de la cubierta superior de la puerta.
3. Coloque los tornillos en la parte superior (4 tornillos por conjunto).



Cubierta superior de la puerta



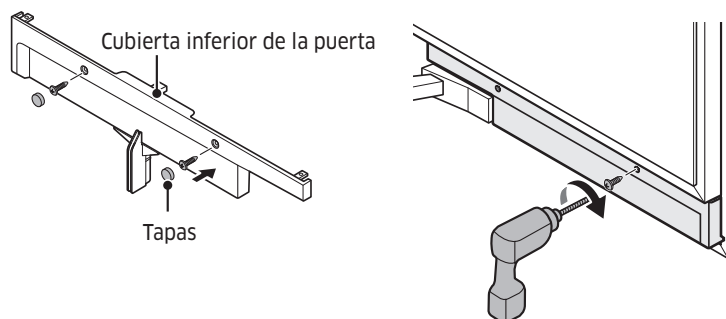
Cubierta superior de la puerta



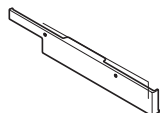
M5x16
4 uds.

Cubierta inferior de la puerta

1. Coloque la guía de aire en la cubierta inferior de la puerta (2 tornillos por conjunto).
2. Coloque la cubierta inferior de la puerta ajustando los tornillos en el frente (2 tornillos por conjunto).
3. Ajuste las tapas sobre los orificios de los tornillos.



Cubierta inferior de la puerta (FH) M4x14 2 uds.



Instrucciones de instalación

18. Conectar la tubería de agua

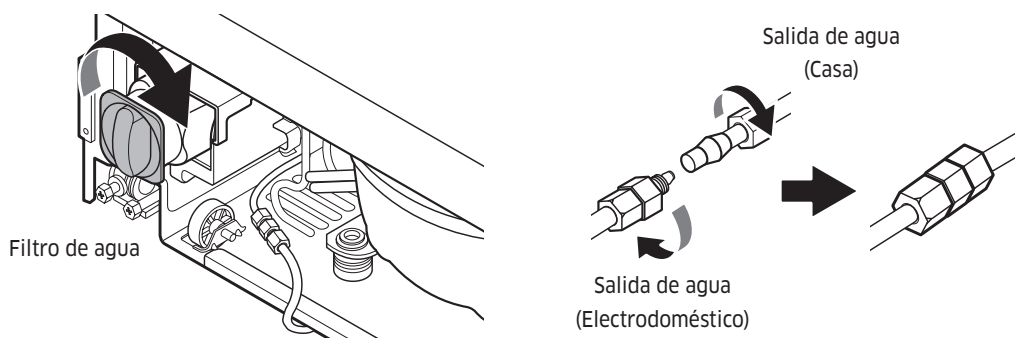
A fin de evitar pérdidas de agua y daños ocasionados por dichas pérdidas, tenga la precaución de no enroscar la tubería de agua.

Después de conectar la manguera de agua en el piso, abra la válvula del agua en la parte posterior del electrodoméstico y verifique la conexión de la tubería de suministro de agua y asegúrese de que no haya pérdidas.

Para llevar a cabo la conexión, necesita adquirir varios elementos. Posiblemente su ferretería local los venda todos juntos en un equipo.

Tubería de cobre	<ul style="list-style-type: none">• Tubería de cobre de $\frac{1}{4}$"• Tuerca de compresión de $\frac{1}{4}$" (1)• Fécula (2)
Tubería de plástico	<ul style="list-style-type: none">• Tubería de plástico de $\frac{1}{4}$" → Extremo moldeado (bulbo)• Tuerca de compresión de $\frac{1}{4}$" (1)

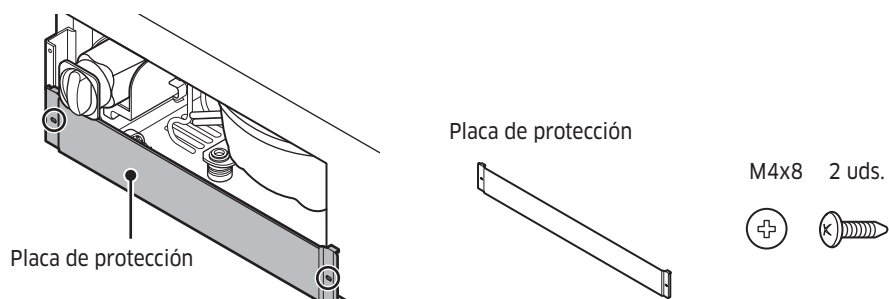
1. Retire la tapa de la conexión del electrodoméstico.
2. Doble la tubería de agua de acuerdo con la ubicación de la conexión en el electrodoméstico.
3. Deslice la tuerca de unión y selle la tubería de agua.
4. Con una llave abierta, ajuste la tuerca de unión y tenga cuidado de no ajustarla de más.
5. Abra la válvula de cierre y la válvula de suministro.
6. Verifique la conexión de la válvula de corte del electrodoméstico a fin de detectar pérdidas.
7. Empuje la tubería de agua dentro del tubo tanto como sea posible.



19. Colocar la placa de protección y el zócalo (opcional)

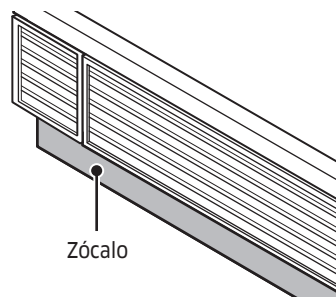
Colocar la placa de protección

- Inserte los tornillos de ambos lados para fijar la placa de protección.



Colocar el zócalo

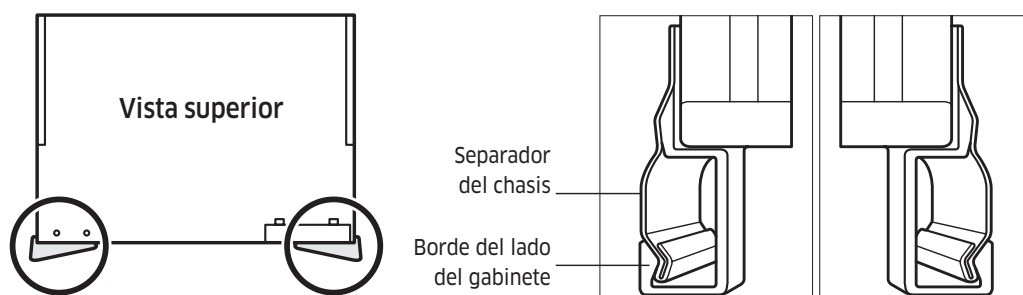
- La altura del producto puede ajustarse entre 83 3/8" y 84 3/8".
- Si desea utilizar el zócalo Dacor provisto (4"), tenga en cuenta que está diseñado para un producto de 83 7/8" de altura y un gabinete de 84" de altura.
- Si desea utilizar un zócalo no provisto por Dacor, ajuste la altura de este según sea necesario.



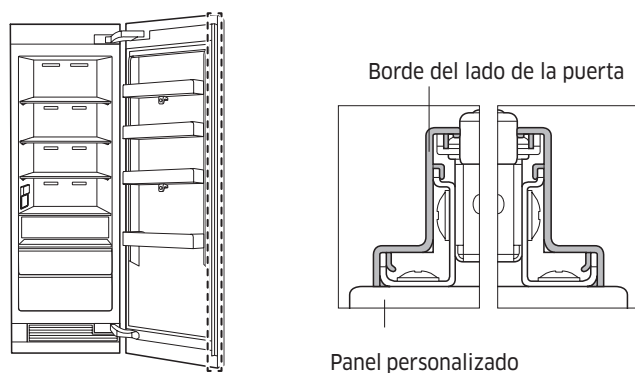
Instrucciones de instalación

20. Colocar el borde del refrigerador

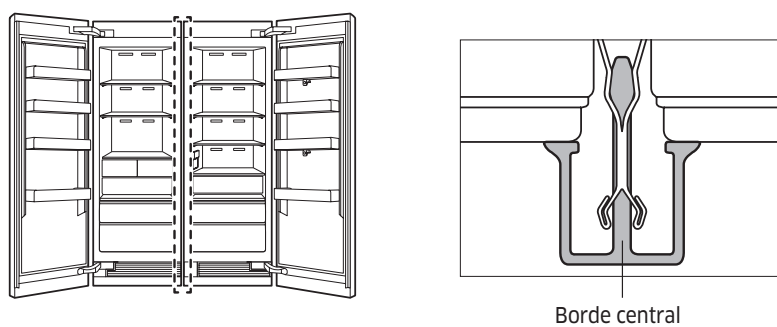
1. Borde del lado del gabinete: Coloque el borde entre el refrigerador y el gabinete.



2. Borde del lado de la puerta: Coloque el borde en el soporte del lado de la puerta.



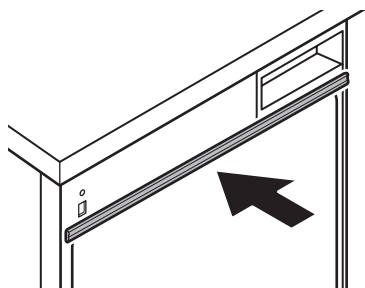
3. (Solo para la instalación lado a lado) Borde central: Coloque el borde entre el chasis del refrigerador.



21. Instalar el borde de la cubierta superior

Instale el borde de la cubierta superior en la parte inferior de esta.

- Para instalación en par, corte de modo que encaje con el ancho del borde de la cubierta superior e instálelo.



22. Retirar el empaque interno

Retire el EPS y la cinta.

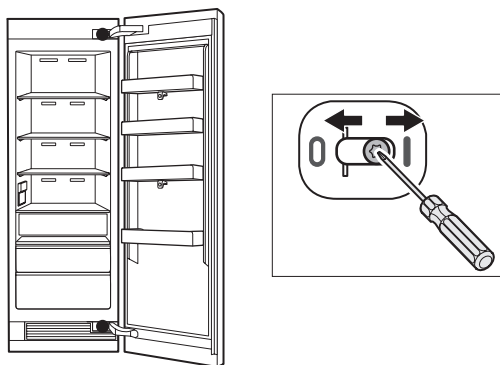
23. Ajustar el resorte de la puerta

Ajuste la tensión del resorte de la puerta de acuerdo con el tamaño del producto.

Con un destornillador con punta de estrella, gire el tornillo de ajuste.

I = presión máxima del resorte

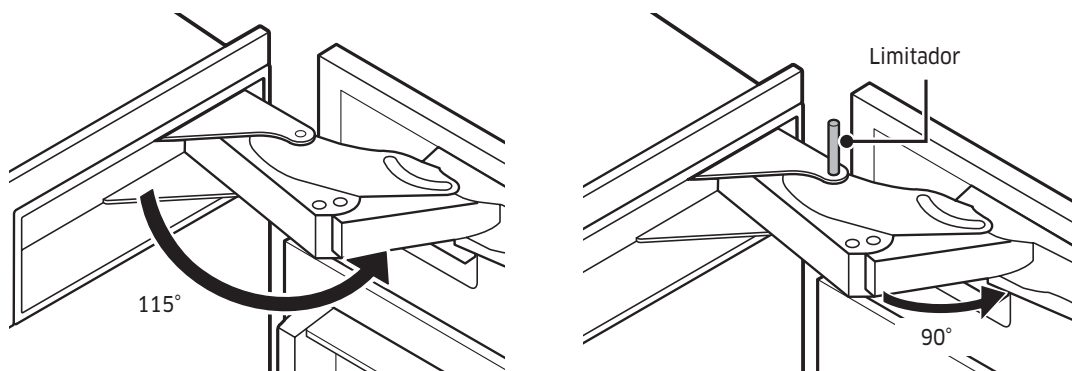
0 = sin tensión del resorte



Instrucciones de instalación

24. Ajuste del ángulo de apertura de la puerta

Como valor de fábrica, la puerta se abre 115 grados. Puede utilizar el limitador para disminuir el ángulo de apertura a 90 grados, dependiendo de las condiciones de instalación.



25. Limpieza

Retire el vinilo de protección y limpie el panel personalizado.

26. Lista de verificación de instalación

Asegúrese de que el refrigerador funcione adecuadamente y de que el panel personalizado de la puerta esté alineado con los gabinetes cercanos.

ADVERTENCIA

- El instalador debe completar la siguiente lista de verificación a fin de garantizar que el refrigerador esté instalado de manera segura y correcta, funcione correctamente y que no se haya pasado por alto ninguna parte de la instalación.
- La instalación adecuada es responsabilidad del dueño de casa. **La importancia de una instalación adecuada de su electrodoméstico Dacor es primordial.**

Lista de verificación de instalación

- ¿La unidad se ha inspeccionado a fin de detectar daños estéticos?
- ¿La tubería de suministro de agua se ha instalado correctamente de acuerdo con las especificaciones y se ha verificado que no existan pérdidas?
- ¿La unidad está adecuadamente alineada con los gabinetes adyacentes?
- ¿Todas las puertas, cajones y estantes funcionan sin problemas ni interferencias?
- ¿Toda la cinta de embalaje y la literatura se han retirado de dentro y fuera del electrodoméstico?
- ¿El cable de alimentación está conectado a un tomacorriente de tres clavijas y con conexión a tierra que cumple con las especificaciones eléctricas?
- ¿La unidad se ha nivelado adecuadamente?
- ¿Se ha instalado correctamente el soporte antivuelco?
- ¿Todos los componentes del refrigerador funcionan correctamente?
- ¿La garantía se ha activado en línea o se ha completado la tarjeta de garantía y se ha enviado por correo?

Notas

Notas



DA68-03621B-02

dacor[®]

Dacor • 14425 Clark Avenue, City of Industry, CA 91745 • Teléfono: (800) 793-0093 • Fax: (626) 403-3130 • www.dacor.com



dacor[®]

Instructions d'installation

Réfrigérateur encastré Modernist

DRR24/30/36*, DRZ18/24/30/36*

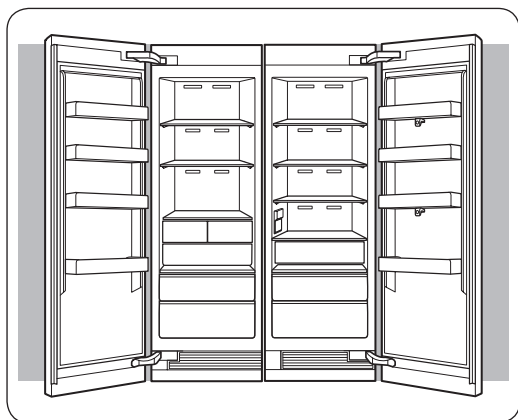
Table des matières

Avant de commencer...	4
Important	4
Informations relatives au service client	5
En cas de besoin...	5
Consignes importantes relatives à la sécurité	6
Avertissement concernant la proposition 65 de l'État de la Californie (États-Unis uniquement)	6
Consignes de sécurité générales	7
Consignes et avertissements de sécurité	11
Sécurité lors de l'installation	11
Spécifications relatives à l'installation	13
Options d'installation	14
Caractéristiques techniques de l'appareil	15
Caractéristiques techniques du panneau personnalisé	16
Caractéristiques techniques de la poignée	17
Installation	18
Exigences relatives à l'installation	19
Préparation à l'installation	19
Mise à la terre du réfrigérateur	22
Conditions relatives à la pression de l'eau	23
Raccordement de l'alimentation en eau principale	24
Conditions spécifiques à l'armoire	25

Instructions d'installation	26
1. Déballage du réfrigérateur	26
2. Déplacement du réfrigérateur	27
3. Préparation à l'installation	28
4. Fixation du support antibasculement	28
5. Retrait du cache supérieur de la porte, plinthe	31
6. Fixation des isolants côté congélateur ou réfrigérateur	34
7. Installation côte à côte (paire)	35
8. Fixer le cache supérieur du réfrigérateur	38
9. Placer le réfrigérateur dans son caisson	39
10. Mise à niveau du réfrigérateur	41
11. Fixation du réfrigérateur	42
12. Fixation de l'isolation du panneau avant	43
13. Fixation des supports du panneau personnalisé de la porte	43
14. Fixation d'un panneau personnalisé	45
15. Préparation du panneau pour l'ajuster	46
16. Alignement du panneau	47
17. Fixation des caches intérieurs de la porte	50
18. Raccordement de la conduite d'eau	52
19. Fixation de la plinthe et de la patte (en option)	53
20. Fixation de l'habillage du réfrigérateur	54
21. Fixation du cache supérieur de l'habillage	55
22. Retrait de l'emballage intérieur	55
23. Ajustement du ressort de la porte	55
24. Ajustement de l'angle d'ouverture de la porte	56
25. Nettoyage	56
26. Liste de vérifications pour l'installation	57

Avant de commencer...

Important



- La conception générale et/ou les accessoires peuvent varier d'un modèle à un autre.

Installateur

- Par mesure de sécurité et pour atténuer les problèmes, lisez attentivement ce manuel, dans son intégralité, avant de procéder à l'installation. L'utilisateur doit pouvoir consulter ce manuel.
- Notez les numéros de série/modèle de l'appareil dans ce manuel à titre de référence pour l'entretien/maintenance.
- Les numéros de série/modèle figurent sur l'étiquette de données dans le compartiment du réfrigérateur.

Utilisateur

- Conservez ce manuel afin vous puissiez vous y référer ultérieurement, tout comme les techniciens, le personnel de service, etc.

CONSERVEZ CES INSTRUCTIONS

Informations relatives au service client

En cas de besoin...

Pour toute question ou tout problème relatif à l'installation, contactez votre revendeur Dacor® ou l'équipe du service client Dacor. Si votre appareil Dacor est sous garantie, appelez le service différencié Dacor. Préparez les numéros de série/modèle de votre appareil avant d'appeler. (Ces numéros figurent sur l'étiquette de données du montant droit de la porte à l'intérieur du réfrigérateur.)

Service différencié Dacor (réparations sous garantie uniquement)

Téléphone : (800) 793-0093 ex. 2822 (États-Unis et Canada)
du lundi au vendredi, de 06 h 00 à 16 h 00 (heure du Pacifique)

Service client Dacor

Téléphone : (800) 793-0093 ex. 2813 (États-Unis et Canada)
du lundi au vendredi, de 06 h 00 à 17 h 00 (heure du Pacifique)

Site Web : www.dacor.com

Toutes les spécifications peuvent être modifiées sans préavis. Dacor n'est pas responsable des changements apportés aux spécifications.

© 2017 Dacor, tous droits réservés.

CONSERVEZ CES INSTRUCTIONS

Consignes importantes relatives à la sécurité

Les Consignes importantes relatives à la sécurité et les avertissements fournis dans les présentes instructions ne sont pas destinés à traiter tous les problèmes et conditions possibles pouvant survenir.

Faites preuve de bon sens et de précaution lors de l'installation, de la maintenance ou de l'utilisation de cet appareil ou de tout autre.

Prenez toujours contact avec l'équipe de service client Dacor en cas de problèmes ou de conditions que vous ne comprenez pas. Voir **Informations relatives au service client**.

Étiquettes et symboles de sécurité

Ces alertes ont pour but d'attirer votre attention sur des éléments importants dans le manuel. Dès lors que vous voyez ces symboles ou étiquettes, lisez attentivement le message correspondant avant de poursuivre.

DANGER

Dangers immédiats qui **PROVOQUERONT** des blessures graves voire mortelles.

AVERTISSEMENT

Pratiques dangereuses ou risquées qui **POURRAIENT PROVOQUER** des blessures graves voire mortelles.

ATTENTION

Pratiques inadaptées ou dangereuses qui **SERAIENT SUSCEPTIBLES DE PROVOQUER** des blessures légères ou des dommages matériels.

Avertissement concernant la proposition 65 de l'État de la Californie (États-Unis uniquement)

AVERTISSEMENT : Cet appareil contient des produits chimiques connus de l'État de la Californie pour causer le cancer et des anomalies congénitales ou des effets nocifs sur la reproduction.

CONSERVEZ CES INSTRUCTIONS

AVERTISSEMENT : gaz réfrigérant R600a

Cet appareil contient du réfrigérant isobutane (R-600a), un gaz naturel présentant une compatibilité écologique élevée, mais qui est aussi inflammable. Veuillez respecter les consignes de sécurité suivantes :

- Lorsque vous manipulez, installez et utilisez l'appareil, veillez à éviter d'endommager le tube du réfrigérant.
- L'entretien doit être effectué par un membre du personnel d'entretien autorisé par le fabricant et les pièces des composants doivent être remplacées par des composants autorisés par le fabricant.
- Les produits de réfrigération contiennent des réfrigérants devant être retirés préalablement à la mise au rebut de l'appareil, conformément aux lois fédérales.
- N'obstruez pas les orifices de ventilation à l'intérieur de l'appareil ou de son caisson ou à l'intérieur de la structure encastrée.
- Afin d'éviter la création d'un mélange gaz-air inflammable lorsqu'une fuite se produit dans le circuit frigorifique, la taille de la pièce où l'appareil peut être placé doit être déterminée en fonction de la quantité de gaz réfrigérant utilisée. La pièce doit avoir un volume de 35,3 pi³ pour chaque 8 g de gaz réfrigérant R-600a à l'intérieur de l'appareil.
- L'emplacement choisi pour l'installation ne doit pas être exposé à la lumière directe du soleil et ne doit pas être placé à proximité d'une source de chaleur ou d'un autre appareil électrique, par exemple d'une cuisinière, d'un four, d'une plaque chauffante ou encore d'un radiateur.
- Pour des raisons de sécurité, si vous utilisez deux produits côte à côté, assurez-vous d'utiliser des produits certifiés dans les atmosphères contenant des gaz explosifs.
- N'utilisez pas de dispositifs mécaniques ou autres pour accélérer le processus de dégivrage.
- N'endommagez pas le circuit de réfrigération.
- N'utilisez pas d'appareils électriques à l'intérieur du compartiment de stockage des aliments de l'appareil.

Consignes de sécurité générales

DANGER

IMPORTANT :

Afin d'éviter que des enfants ne s'étouffent ou ne se retrouvent coincés lors de la mise au rebut d'un appareil usé :

- Retirez les portes.
- Ne retirez pas les grilles afin que les enfants ne puissent pas facilement monter dans le réfrigérateur.

CONSERVEZ CES INSTRUCTIONS

Consignes importantes relatives à la sécurité

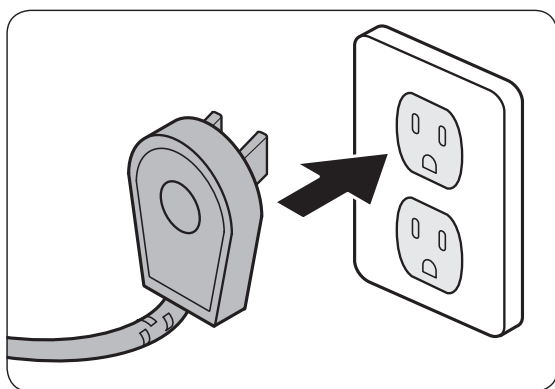
- Coupez les broches de la fiche d'alimentation et jetez-les.
- Débranchez le câble d'alimentation et mettez-le au rebut séparément de l'appareil utilisé.

Afin d'éviter tout risque d'explosion ou d'incendie, ne stockez pas et n'utilisez pas de vapeurs et de liquides combustibles, inflammables ou explosifs (tels que de l'essence) à l'intérieur ou à proximité de cet appareil ou de tout autre. Conservez également tous les éléments qui risquent d'exposer (aérosols par exemple) à distance des brûleurs de table de cuisson, des fours et des hottes. Ne stockez pas de matériaux inflammables ou explosifs dans des meubles ou des endroits adjacents.

AVERTISSEMENT

IMPORTANT : Cet appareil est équipé d'une fiche électrique de mise à la terre à 3 broches pour protéger contre les risques de chocs électriques. Elle doit être branchée dans une prise électrique de mise à la terre dédiée. Si seule une prise électrique à 2 broches est disponible, il incombe au client de la remplacer par une prise électrique de mise à la terre à 3 broches dédiée et adaptée.

- N'entortillez pas et ne pincez pas le cordon d'alimentation de l'appareil.
- Ne débranchez jamais l'appareil en tirant sur le cordon d'alimentation.
- Maintenez toujours fermement la fiche pour la débrancher de la prise électrique.
- Débranchez l'appareil lorsque vous ne l'utilisez pas.
- N'installez pas, ne réparez pas, ne modifiez pas et ne remplacez pas toute pièce de l'appareil, sauf mention contraire indiquée dans les documents d'accompagnement.
- Toutes les autres opérations d'entretien doivent être effectuées par un technicien de service qualifié.



NE coupez pas ou ne retirez pas la troisième broche (de mise à la terre) du cordon d'alimentation.

N'utilisez pas de fiche d'adaptation.

N'utilisez pas un cordon d'alimentation effiloché ou endommagé.

NE branchez pas l'appareil à une rallonge. Maintenez le cordon d'alimentation éloigné des surfaces chauffées.

REMARQUE

- Utilisation d'une prise électrique de mise à la terre.
- L'utilisation d'un disjoncteur différentiel de fuite à la terre (DDFT) n'est pas recommandée.

CONSERVEZ CES INSTRUCTIONS

AVERTISSEMENT

Pour réduire le risque d'incendie, de choc électrique, de blessures graves ou de mort lors de l'utilisation de votre appareil, suivez les consignes de sécurité de base, ainsi que les suivantes :

Si vous recevez un appareil endommagé, contactez immédiatement votre revendeur ou constructeur. N'installez pas ou n'utilisez pas un appareil endommagé.

Assurez-vous que cet appareil a été correctement installé conformément aux instructions d'installation.

Assurez-vous d'installer les prises en fonction de l'alimentation électrique.

L'équipement de réfrigération et les réfrigérants doivent être mis au rebut de façon appropriée par un professionnel et conformément aux lois et réglementations locales visant à protéger l'environnement. Cela s'applique à votre appareil usé et à votre nouvelle unité une fois que celle-ci aura atteint la fin de sa durée de vie. NE mettez pas l'appareil au rebut dans une décharge ou avec les déchets urbains. Contactez les déchetteries locales pour vous renseigner sur la mise au rebut des déchets recyclables.

Lorsque vous manipulez, déplacez, utilisez ou mettez au rebut l'appareil, veillez à ne pas endommager le système de réfrigération.

N'installez pas ou n'utilisez pas l'appareil en extérieur ou dans un endroit humide. Cet appareil n'est pas destiné à être installé dans un véhicule ou bateau de plaisance.

Mettez les emballages hors de portée des enfants. Ils pourraient s'étouffer avec les sacs et les sachets en plastique.

Branchez cet appareil à un circuit 115 V, 15 A contrôlé par un disjoncteur ou un fusible. Cet appareil doit disposer de son propre circuit de mise à la terre séparé.

N'entortillez pas et ne pincez pas le cordon d'alimentation de l'appareil. Ne débranchez jamais l'appareil en tirant sur le cordon d'alimentation. Maintenez toujours fermement la fiche pour la débrancher de la prise électrique.

Débranchez l'appareil lorsque vous ne l'utilisez pas.

N'installez pas, ne réparez pas, ne modifiez pas et ne remplacez pas toute pièce de l'appareil, sauf mention contraire indiquée dans les documents d'accompagnement. Toutes les autres opérations d'entretien doivent être effectuées par un technicien de service qualifié.

Avant d'effectuer toute opération d'entretien, coupez l'alimentation sur le tableau du disjoncteur.

CONSERVEZ CES INSTRUCTIONS

Consignes importantes relatives à la sécurité

Cet appareil n'est pas conçu pour être utilisé par des personnes (y compris des enfants) ayant des capacités physiques ou sensorielles réduites, ou ayant un manque d'expérience et de connaissances, à moins qu'elles ne soient surveillées par une personne responsable de leur sécurité. Les enfants doivent être surveillés par mesure de sécurité.

Ne permettez à personne, y compris à des enfants, de s'asseoir ou de grimper sur toute pièce de l'appareil, y compris la porte. Le non-respect de cette consigne peut entraîner des dommages et des blessures importants, voire la mort.

Si le cordon d'alimentation est endommagé, il doit être remplacé par le fabricant ou un technicien de service qualifié par mesure de sécurité. Ne trafiquez pas les commandes.

Nettoyer régulièrement cet appareil conformément aux instructions de la section Entretien et nettoyage du manuel d'utilisation. Nettoyez régulièrement le bac à glaçons ou le tiroir.

Lorsque le congélateur est en marche, ne touchez pas les surfaces internes en inox si vous avez les mains mouillées ou humides car votre peau pourrait rester coller aux surfaces très froides.

N'utilisez aucun type d'équipement électrique à l'intérieur des compartiments du réfrigérateur ou du congélateur

N'obstruez pas les orifices de ventilation de l'appareil.

Afin d'éviter que l'appareil ne bascule, il est impératif de fixer l'appareil au mur avec les deux supports antibasculement fournies.

N'utilisez cet appareil que conformément à l'usage auquel il est destiné : conserver des aliments et des boissons. Il n'est pas destiné à un usage commercial ou industriel.

Lorsque vous installez le boîtier des composants électriques, vérifiez si celui-ci est endommagé ou non par un choc électrique.

Ouvrez et tenez la poignée lorsque vous ouvrez et fermez la porte.

Lorsque vous ouvrez et fermez la porte, veillez à ne pas mettre vos mains dans le seuil.

CONSERVEZ CES INSTRUCTIONS

Consignes et avertissements de sécurité

Sécurité lors de l'installation

Emplacement et sécurité lors de l'installation

AVERTISSEMENT

- Avant d'installer le réfrigérateur, raccordez-le à une prise de courant et allumez l'appareil pour vous assurer qu'il fonctionne.
- Choisissez un emplacement éloigné de toute source de chaleur (radiateur, chaudière ou lumière directe du soleil).
- Installez l'appareil à un endroit où l'air circule librement et où le réfrigérateur peut bien ventiler.
- Installez l'appareil de sorte que l'air circule sans obstruction au niveau de la grille d'aération avant. Si la circulation de l'air ne peut pas se faire, cela peut interférer avec le bon fonctionnement de l'appareil.
- Les animaux venant de l'extérieur (rongeurs) peuvent ronger le cordon d'alimentation et provoquer un incendie. Par conséquent, installez l'appareil à un endroit non accessible aux animaux.
- Si le meuble est composé d'un matériau souple (ex : plâtre, etc.), sa structure peut être fragile et risque d'être endommagée. Par conséquent, utilisez un meuble composé d'un matériau fort et solide.
- Installez le réfrigérateur avec une équipe d'au moins 2 personnes.
- Reportez-vous aux dimensions du meuble et préparez ce dernier pour assurer une circulation appropriée de l'air.
- Utilisez un meuble qui ne va pas se déformer à cause de la chaleur ou de l'humidité émise par l'appareil lors de l'ouverture et la fermeture du réfrigérateur.

REMARQUE

Ce réfrigérateur est un modèle de type « encastré », ce qui signifie que le réfrigérateur impose une installation à l'intérieur d'un renforcement dans un meuble de cuisine existant.

Avant de déplacer le réfrigérateur, dégagez le chemin vers l'emplacement d'installation.

Comparez toutes les dimensions de l'appareil et le rayon de basculement avec celles des portes, des couloirs, des escaliers, des recoins, etc. afin de vous assurer que vous ayez un chemin clairement défini.

Consignes et avertissements de sécurité

AVERTISSEMENT



Risque de basculement

Cet appareil est relativement lourd au niveau de la partie supérieure et peut basculer s'il n'est pas installé de façon sécurisée.

Maintenez les portes fermées avec du ruban adhésif jusqu'à ce que le réfrigérateur se trouve dans sa position finale et qu'il est prêt à être fixé en place.

Faites appel à deux personnes ou plus pour déplacer et installer le réfrigérateur.

Le non-respect de ces consignes peut provoquer des blessures graves voire mortelles.

DANGER



Risque d'explosion

Tenez les matériaux et vapeurs inflammables (essence par exemple) à distance du réfrigérateur.

Le non-respect de ces consignes peut provoquer la mort, une explosion ou un incendie.

Spécifications relatives à l'installation

AVERTISSEMENT

Respectez tous les codes gouvernementaux et décrets lors de la programmation et de l'installation. Contactez votre service des bâtiments local pour en savoir plus.

AVERTISSEMENT

Les branchements électriques et de mise à la terre doivent respecter les dispositions applicables du code électrique national et/ou des autres codes électriques locaux.

Cet appareil est doté d'un cordon électrique avec une fiche de mise à la terre à trois broches pour une alimentation de 115 V CA, 15 A. Branchez-le dans une prise électrique de mise à la terre à trois broches de 115 V CA uniquement.

À moins qu'un **système de filtration** complet ne soit installé, la cartouche du filtre à eau fournie doit être installée conformément au manuel d'utilisation.

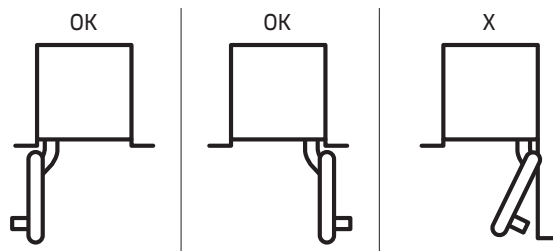
Éteignez la **machine à glaçons** en utilisant la touche **ICE (GLACE)** chaque fois que le robinet d'arrivée d'eau est coupé. La touche **ICE (GLACE)** est allumée lorsque la machine à glaçons est allumée.

L'appareil est doté d'un système d'éclairage avec des DEL haute intensité. Ne fixez pas ces voyants lorsqu'ils sont allumés afin d'éviter tout dommage oculaire possible.

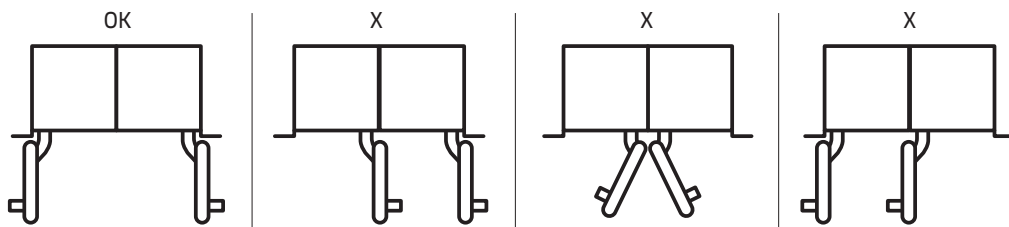
Options d'installation

Il existe de nombreuses options d'installation.
Elles dépendent de la conception de votre cuisine.

Appareil individuel

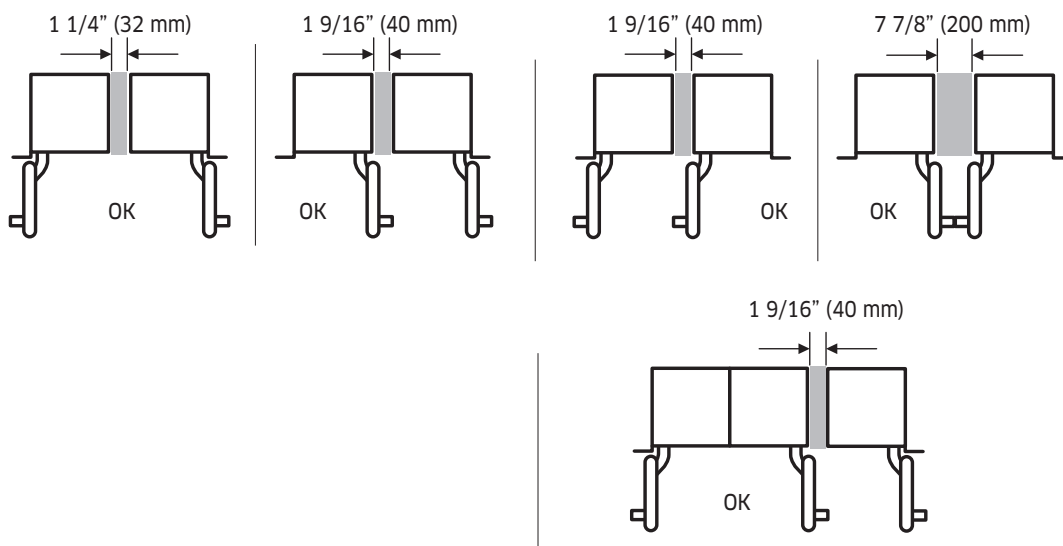


Côte à côte (paire)

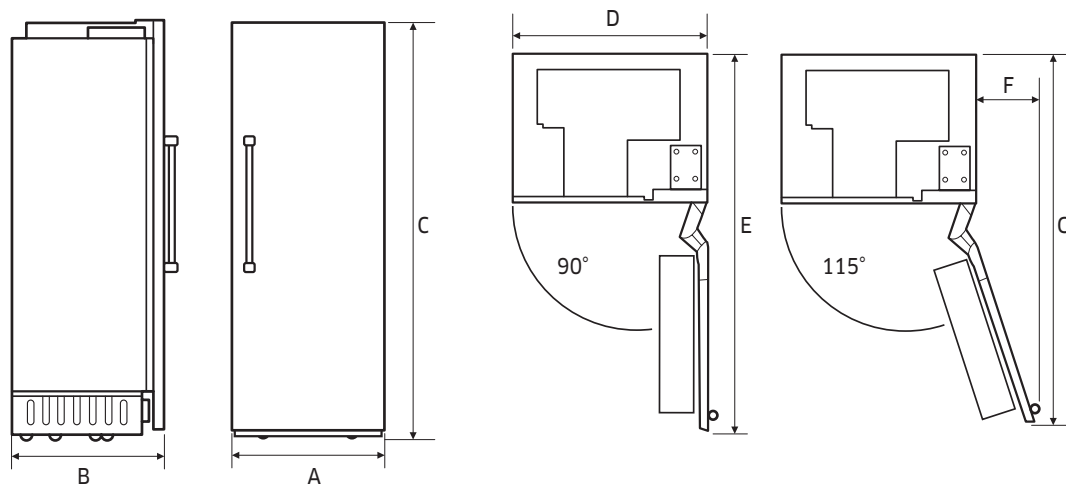


Appareils individuels avec séparation

L'épaisseur minimale de la séparation est de 5/8" (16 mm)



Caractéristiques techniques de l'appareil



Désignation	18"	24"	30"	36"
A	17 3/4" (451 mm)	23 3/4" (603 mm)	29 3/4" (756 mm)	35 3/4" (908 mm)
B	25" (635 mm)			
C	83 3/8" (2118 mm)			
D	17 5/8" (447 mm)	23 5/8" (600 mm)	29 5/8" (752 mm)	35 5/8" (905 mm)
E	44 3/4" (1136 mm)	50 3/4" (1289 mm)	56 11/16" (1440 mm)	62 7/8" (1597 mm)
F	11 13/16" (275 mm)	13 11/16" (348 mm)	16 9/16" (421 mm)	20 9/16" (496 mm)
G	43 7/8" (1114 mm)	49 11/16" (1261 mm)	55 5/16" (1404 mm)	61 5/16" (1556 mm)

Caractéristiques techniques de l'appareil

Caractéristiques techniques du panneau personnalisé

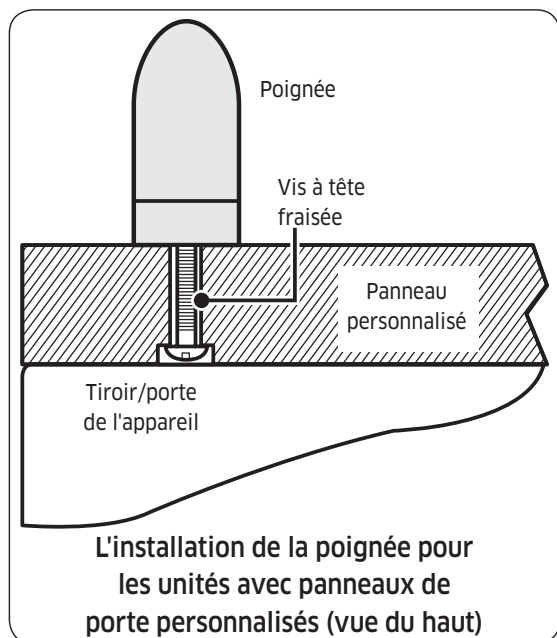
Ne dépassez pas la charge maximale que peut supporter le panneau personnalisé. Avant d'installer le panneau, vérifiez la force du matériau du panneau et la charge des fixations du panneau.

	18"	24"	30"	36"
Poids maximal du panneau personnalisé (poignée incluse)	132 lb (60 kg)	110 lb (50 kg)	88 lb (40 kg)	66 lb (30 kg)

REMARQUE

- Poids maximal du panneau personnalisé (poignée incluse) = Charge maximale de la charnière (242 lb) - poids de la porte et charge.
- L'épaisseur du panneau personnalisé est de $\frac{3}{4}$ " (19 mm).

Caractéristiques techniques de la poignée



Avant d'installer les panneaux personnalisés, vous devez d'abord installer les poignées du tiroir/porte.

Avec les modèles dotés d'un panneau personnalisé, vous pouvez choisir le style de poignée qui vous convient le mieux. Les poignées ne sont pas fournies avec les modèles dotés d'un panneau personnalisé. Des kits de poignées sélectionnés sont disponibles auprès de votre revendeur Dacor. Dacor ne recommande pas l'utilisation de tirettes individuelles.

La plupart des kits de poignées n'incluent pas les vis de montage nécessaires car la longueur des vis varie selon l'épaisseur du panneau.

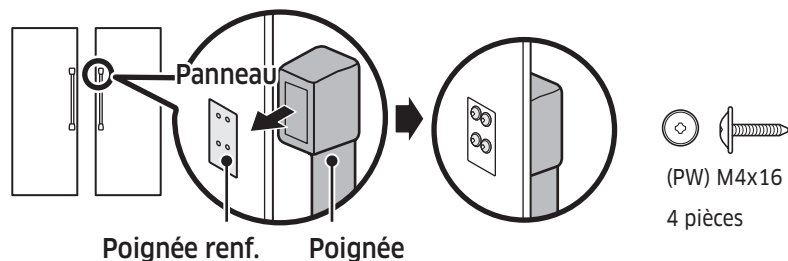
L'artisan du panneau doit choisir et acheter les bagues de fixation nécessaires à l'installation. Les têtes des vis doivent être fraisées dans le panneau afin de prévenir toute interférence au cours de l'ajustement de la profondeur.

Fixation de la poignée fournie par Dacor

⚠ AVERTISSEMENT

Suivez les instructions ci-après pour fixer la poignée fournie par Dacor. Dans le cas contraire, la poignée risque d'être endommagée ou de dysfonctionner.

1. Placez le support renforcé de la poignée à l'arrière du panneau de la porte, puis mettez la poignée sur l'avant du panneau de la porte.
2. Comme indiqué, serrez les 4 vis sur chacun des côtés supérieur et inférieur de la poignée. Ne les serrez pas à l'excès.



Installation

AVERTISSEMENT

N'installez pas l'appareil :

- à l'extérieur,
- dans un environnement où de l'eau ruisselle.

L'appareil est très lourd :

Réfrigérateur 24" : environ 377 lb/171 kg

Réfrigérateur 30" : environ 472 lb/214 kg

Réfrigérateur 36" : environ 567 lb/257 kg

Congélateur 18" : environ 289 lb/131 kg

Congélateur 24" : environ 386 lb/175 kg

Congélateur 30" : environ 483 lb/219 kg

Congélateur 36" : environ 580 lb/263 kg

Emplacement de l'installation

L'appareil doit être installé dans une pièce sèche et aérée.

Installation sécurisée

L'appareil est très lourd et tend à basculer en avant lorsque la porte de l'appareil est ouverte.

N'ouvrez pas la porte avant d'être sûr que l'appareil ne peut pas basculer.

Le moyen le plus sûr d'installer l'appareil est d'utiliser les dispositifs antibasculement fournis.

Sol

La surface inférieure doit être mise à niveau et égalisée afin de s'assurer que l'appareil est installé de façon sécurisée et que l'appareil fonctionne correctement.

La surface inférieure doit être constituée de matériaux durs et rigides pour soutenir le poids de l'appareil.

Alignement de l'appareil

Pour s'assurer que l'appareil fonctionne correctement, il doit être mis à niveau de façon appropriée.

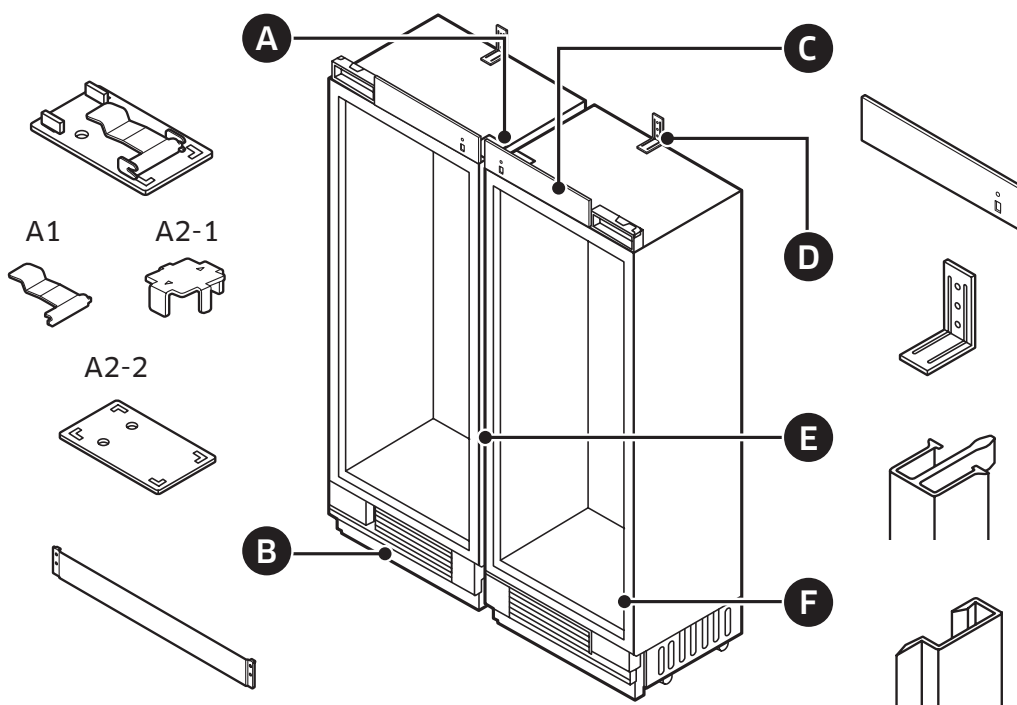
Si l'appareil n'est pas à niveau, de l'eau risque de se déverser au niveau de la machine à glaçons, les glaçons risquent d'être irréguliers ou les portes risquent de ne pas se fermer correctement.

Exigences relatives à l'installation

Préparation à l'installation

Pièces d'installation de l'armoire

En utilisant le tableau de la page suivante, vérifiez que toutes les pièces d'installation sont présentes au moment du déballage de l'appareil.



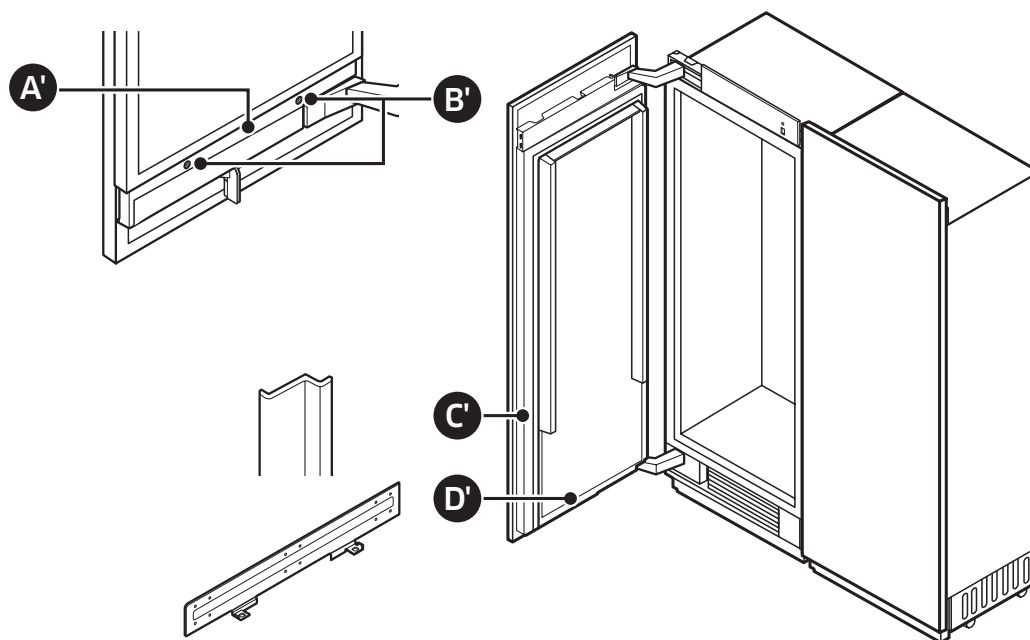
Vérifiez les pièces d'installation au moment du déballage de l'appareil

PIÈCES		INSTALLATION INDIVIDUELLE	INSTALLATION D'UNE PAIRE	
A	A1	LEVIER	-	2
	A2-1	PLAQUE INFÉRIEURE	-	1
	A2-2	PLAQUE SUPÉRIEURE	-	1
B	PLINTHE	1	2	
C	Cache supérieur du réfrigérateur	1	2	
D	SUPPORT ANTIBASCULEMENT	18", 24", 30" : 1 36" : 2	18", 24", 30" : 2 36" : 4	
E	HABILLAGE CENTRAL	-	1	
F	HABILLAGE LATÉRAL DE L'ARMOIRE	2	2	

Exigences relatives à l'installation

Pièces d'installation de la porte






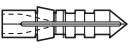
En utilisant le tableau ci-dessous, vérifiez que toutes les pièces d'installation sont présentes au moment du déballage de l'appareil.




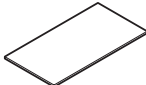
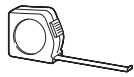



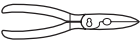
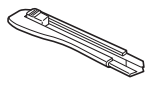


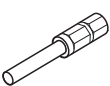
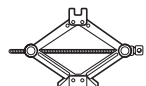
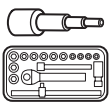

Vérifiez les pièces d'installation au moment du déballage de l'appareil.

PIÈCES		INSTALLATION INDIVIDUELLE	INSTALLATION D'UNE PAIRE
A'	CACHE INFÉRIEUR DE LA PORTE	1	2
B'	BOUCHON	2	4
C'	HABILLAGE LATÉRAL DE LA PORTE	2	4
D'	SUPPORT DU PANNEAU	2	4

Vis et écrou

	M6x12	12 pièces		(FH) M4x14	22 pièces
	(TH) M4x16	24 pièces		M4x35	3 pièces (36": 6 pièces)
	M8	2 pièces		∅6x30	3 pièces (36": 6 pièces)

Outils requis

NON	Outil	NON	Outil
1	 Tournevis électrique	8	 Tapis de sol de protection
2	 Mètre ruban	9	 Escabeau
3	 Tournevis à tête plate/ fendue	10	 Diable
4	 Couteau (sécapeur)	11	 Cutter
5	 Clé à molette	12	 Niveau
6	 Tournevis cruciforme	13	 Vérin
7	 Cliquet 3/8" (10 mm), 1/2" (13 mm)	14	 Clé mixte 3/8" (10 mm), 1/2" (13 mm)

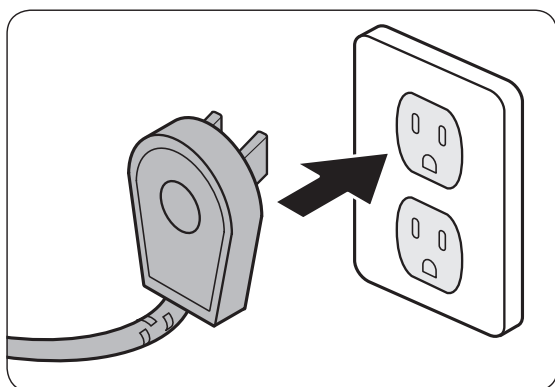
Exigences relatives à l'installation

Mise à la terre du réfrigérateur

ATTENTION

Les branchements électriques et de mise à la terre doivent respecter les dispositions applicables du code électrique national et/ou des autres codes électriques locaux.

Cet appareil est doté d'un cordon électrique avec une fiche de mise à la terre à trois broches pour une alimentation de 115 V CA, 15 A. Branchez-le dans une prise électrique de mise à la terre à trois broches de 115 V CA uniquement.



NE COUPEZ ET NE RETIREZ JAMAIS LA TROISIÈME BROCHE (MISE À LA TERRE) DU CORDON D'ALIMENTATION.

N'UTILISEZ PAS UN ADAPTATEUR POUR BRANCHER LE RÉFRIGÉRATEUR À UNE PRISE 2 BROCHES.

N'UTILISEZ PAS DE RALLONGE AVEC CET APPAREIL.

AVERTISSEMENT



Risque de choc électrique

Branchez l'appareil sur une prise murale 3 broches dédiée reliée à la terre.

Ne retirez pas la broche de mise à la terre.

N'utilisez pas d'adaptateur.

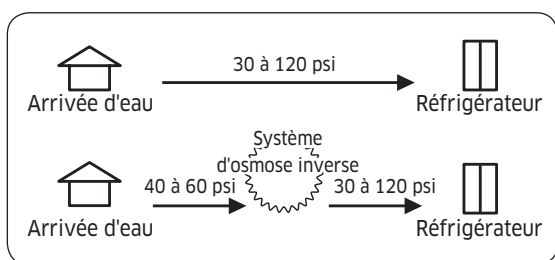
N'utilisez pas de rallonge.

Le non-respect de ces instructions peut entraîner un incendie, un choc électrique voire la mort.

Conditions relatives à la pression de l'eau

Une arrivée d'eau froide de pression comprise entre 30 et 120 psi (207 et 827 kPa) est nécessaire au bon fonctionnement du distributeur d'eau et de la machine à glaçons.

Si vous avez des questions sur votre pression d'eau, communiquez avec un plombier qualifié autorisé.



Système d'osmose inverse dans l'alimentation d'eau

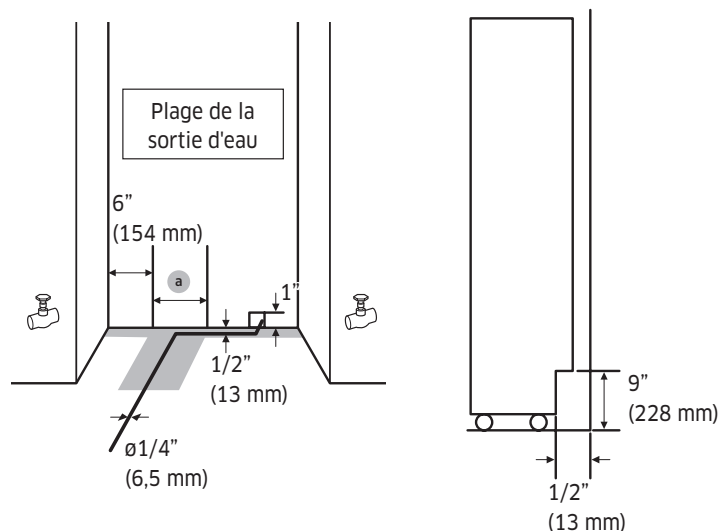
IMPORTANT : La pression de l'eau sortant d'un système d'osmose inverse et arrivant dans la vanne d'arrivée d'eau du réfrigérateur doit être comprise entre 30 et 120 psi (207 et 827 kPa).

La pression de l'eau de l'alimentation en eau froide au système d'osmose inverse doit être comprise entre 40 et 60 psi minimum (276 à 414 kPa.)

Exigences relatives à l'installation

Raccordement de l'alimentation en eau principale

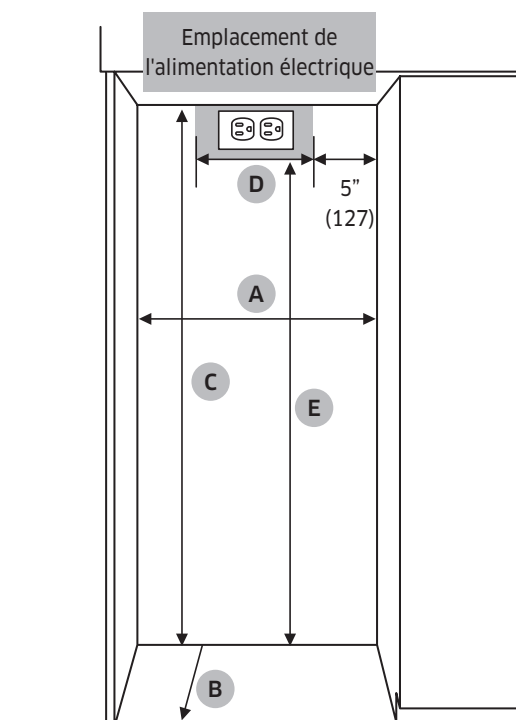
Avant de raccorder la conduite d'eau du réfrigérateur à l'alimentation en eau principale du domicile, vous devez vous familiariser à votre plomberie.



Désignation	18"	24"	30"	36"
a	3" (76 mm)	5 1/2" (140 mm)	6" (154 mm)	9" (228 mm)

- Décidez comment utiliser au mieux la plomberie Puis,
- utilisez l'arrivée d'eau principale tout en respectant les exigences suivantes :
 - L'installateur doit fournir le tuyau d'eau de 1/4" (6,5 mm) et tous les raccords.
 - Le tuyau d'eau doit être suffisamment long pour créer du mou et permettre au réfrigérateur d'être déplacé en vue du nettoyage du sol et d'une intervention technique sans devoir commencer par débrancher le tuyau d'eau.
 - Toute nouvelle installation doit satisfaire aux exigences du code de plomberie local.
 - L'arrêt d'eau doit être placé dans l'armoire de base de chaque côté du réfrigérateur ou dans un autre endroit facilement accessible.
 - Si le robinet de sectionnement est placé sur le mur derrière le réfrigérateur, il doit être incliné afin que le tuyau d'eau ne soit pas plié lorsque le réfrigérateur est poussé dans sa position finale.
 - Assurez-vous que la conduite d'alimentation en eau se trouve dans la plage indiquée sur les illustrations 1".
 - Le tuyau d'eau est positionné à 1/2" de la paroi arrière et est retiré vers l'avant le long de la zone grisée sur la figure ci-dessus. Le tuyau d'eau doit être collé au sol.

Conditions spécifiques à l'armoire



- A : Largeur de l'armoire
- B : Profondeur de l'armoire
- C : Hauteur de l'armoire
- D : Emplacement de la largeur de l'alimentation électrique
- E : Emplacement de la hauteur de l'alimentation électrique

Désignation	18"	24"	30"	36"
A	18" (457 mm)	24" (610 mm)	30" (762 mm)	36" (915 mm)
B	25" (635 mm)	25" (635 mm)	25" (635 mm)	25" (635 mm)
C	84" (2134 mm)	84" (2134 mm)	84" (2134 mm)	84" (2134 mm)
D	8" (203 mm)	14" (356 mm)	20" (508 mm)	26" (660 mm)
E	80" (2032 mm)	80" (2032 mm)	80" (2032 mm)	80" (2032 mm)

- B : inclut une épaisseur de panneau de porte standard avec 3/4".
- Une installation à l'intérieur d'une armoire de cette largeur permet à l'habillage du réfrigérateur d'être directement fixé aux armoires autour du produit.

Instructions d'installation

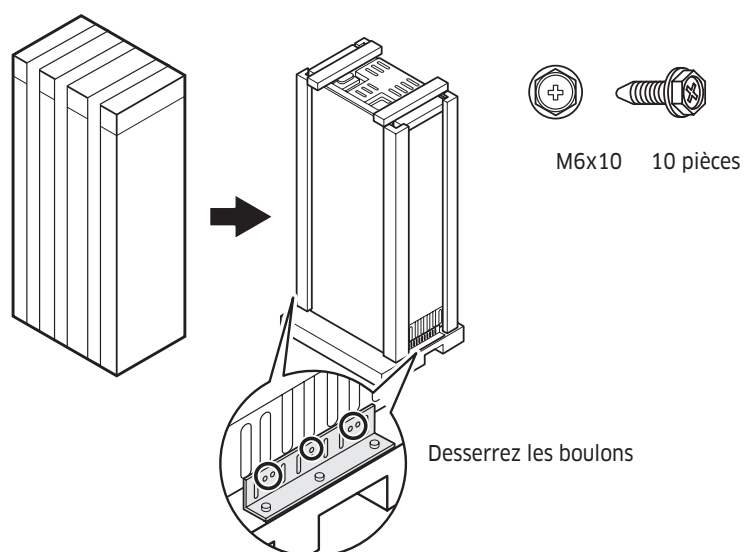
1. Déballage du réfrigérateur

Vérifiez les éventuels dommages dus au transport de l'appareil.

N'installez pas l'appareil s'il est visiblement endommagé.

En cas de doutes, contactez votre revendeur.

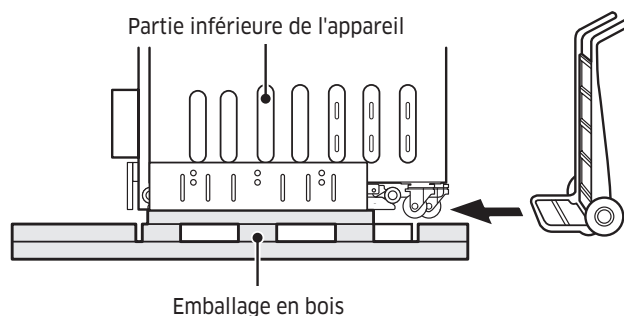
1. Retirez le cerclage en PP, le carton d'emballage, le bloc d'alimentation externe et le film en PE.
2. Retirez les fixations de la palette en dévissant les boulons (cinq par attache).



⚠ ATTENTION

Veillez à ne pas endommager l'appareil lorsque vous le déchargez de la palette.

3. Insérez le diable entre l'appareil et l'emballage en bois comme indiqué. Tout en inclinant la partie arrière de l'appareil vers le haut, déchargez-le de l'emballage en bois.



2. Déplacement du réfrigérateur

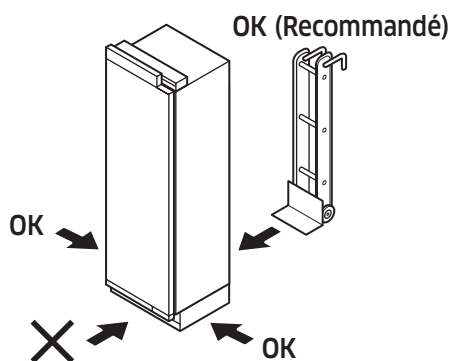
⚠ AVERTISSEMENT

L'appareil est très lourd. Lorsque vous déplacez le réfrigérateur, veillez à ne pas vous blesser ou à endommager l'appareil.

1. Utilisez un mode de transport sécurisé et adapté (un diable adapté aux appareils de préférence) et déplacez le réfrigérateur près de l'armoire d'installation.
 2. Le déplacement et l'installation de l'appareil doivent être effectués par au moins deux personnes.
 3. Veillez à ne pas endommager les sols. Les sols fragiles doivent être protégés avec du contreplaqué, des cartons épais ou d'autres matériaux similaires.
 4. Avant de déplacer le réfrigérateur, vérifiez qu'il passera bien à travers les encadrements des portes, dans les escaliers et tout obstacle.
- **RISQUE DE BASCULEMENT** : Le réfrigérateur étant grand et lourd, il peut facilement basculer s'il n'est pas bien fixé. Dans la mesure du possible, déplacez toujours le réfrigérateur en position verticale. Sinon, déplacez-le sur sa partie arrière. Protégez les encadrements des portes pour le transport.

⚠ AVERTISSEMENT

Veillez à ce que le boîtier des composants électriques ne soit pas endommagé lors de l'installation.



Instructions d'installation

3. Préparation à l'installation

Déballer les matériaux et accessoires d'installation.

Voir la section Préparation à l'installation dans le chapitre Conditions relatives à l'installation.

4. Fixation du support antibasculement

⚠ AVERTISSEMENT

Pour éviter que l'appareil ne bascule en avant, un support antibasculement doit être installé. Avant de fixer le support, assurez-vous qu'aucun câblage ou canalisation ne se trouve dans la zone de pénétration des vis. Un support est requis par appareil.

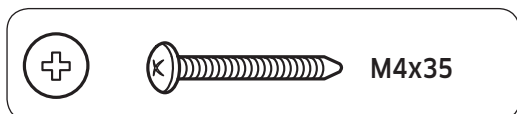
⚠ ATTENTION

Portez toujours des lunettes de sécurité et d'autres appareils ou vêtements de protection nécessaires lorsque vous installez ou travaillez avec des fixations.

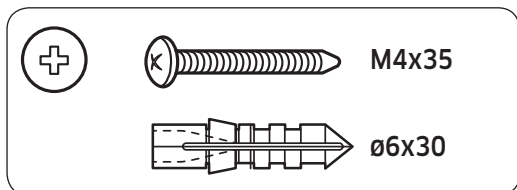
Dacor ne recommande pas de fixer le support antibasculement sur des maçonneries légères (p. ex. des blocs ou briques) ou sur du béton frais ou non traité.

Assurez-vous que le mur ou l'armoire sur lequel/laquelle les supports sont cloutés est suffisamment robuste pour supporter la charge de sécurité.

Mur en bois



Mur en béton

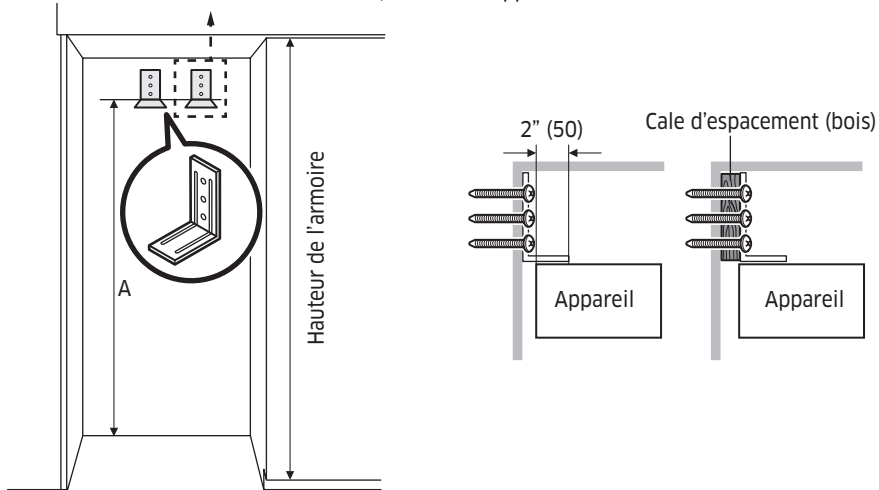


1. La hauteur du support est mesurée à partir du sol et dépend de la hauteur de l'armoire.
2. Fixez les supports antibasculement. Assurez-vous que les vis serrent fermement le support.


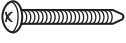



Les supports antibasculement doivent s'allonger au moins de 2" (50 mm) sur l'appareil pour le sécuriser. Si cette longueur minimale ne peut pas être respectée pour des raisons liées à la structure, l'alternative consiste à fixer une cale d'espacement (en bois) derrière l'angle antibasculement.

Pour les modèles de 36», placez 2 supports antibasculement à intervalles réguliers et fixez-les avec 3 vis par support sur un mur en bois, ou bien avec 3 vis et 3 verrous de soutien par support sur un mur en béton. Pour les autres modèles, vous pouvez utiliser un seul support antibasculement pour l'objectif visé.

Pour les modèles de 36", utilisez 2 supports antibasculement.



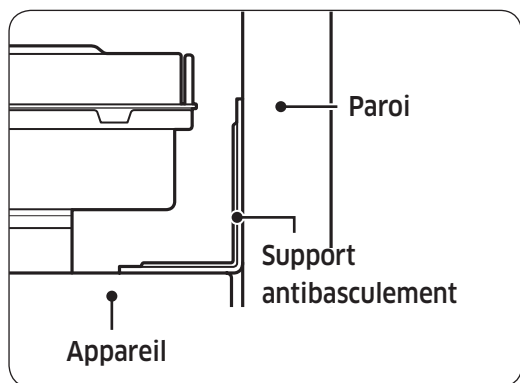
Option	Hauteur de l'armoire	A
1	83 1/2" (2121 mm)	79 1/2" (2019 mm)
2	83 3/4" (2127 mm)	79 5/8" (2023 mm)
3	84" (2134 mm)	79 7/8" (2030 mm)
4	84 1/4" (2140 mm)	80 1/8" (2036 mm)

		18"	24"	30"	36"
SUPPORT ANTIBASCULEMENT			1 pièce		2 pièces
mur en bois	  M4x35		3 pièces		6 pièces
mur en béton	  M4x35		3 pièces		6 pièces
	 ø6x30 (VERROU DE SOUTIEN)		3 pièces		6 pièces

- 3 vis/verrous de soutien par support.

Instructions d'installation

Éléments relatifs au support antibasculement

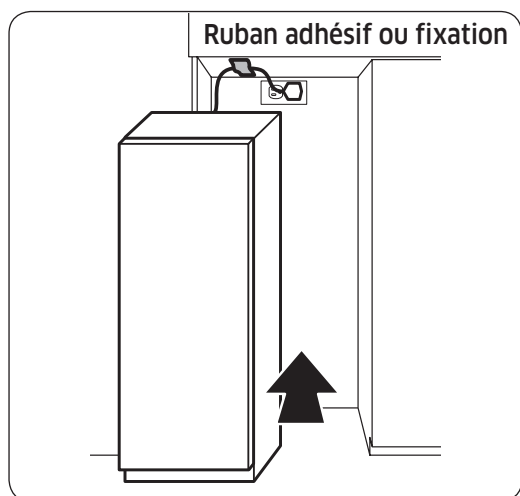


1. Positionnement du support : suivez le tableau de hauteur spécifique au meuble.
2. Vis : serrez les 3 vis sur les supports.
3. Poussez l'appareil vers le haut contre la paroi arrière du meuble.
4. Cale d'espacement : si vous utiliser la cale d'espacement, vous devez suivre les spécifications de positionnement du support (voir le tableau ci-dessus).

⚠ ATTENTION

- La hauteur de la cale d'espacement doit être calculée en fonction de la profondeur du meuble.
- La cale d'espacement doit être fixée séparément du meuble.

Lors de l'installation de l'appareil dans le meuble

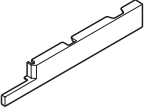

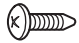
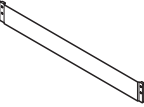




Avant de placer l'appareil dans le meuble, branchez le cordon d'alimentation. Attachez ensuite le cordon d'alimentation près de la partie avant de l'ouverture du meuble en utilisant un ruban adhésif ou une fixation telle qu'une attache, une bride etc. Après avoir placé l'appareil à l'intérieur du meuble, assurez-vous que le cordon d'alimentation est placé en haut de l'appareil (comme indiqué sur l'illustration).

5. Retrait du cache supérieur de la porte, plinthe

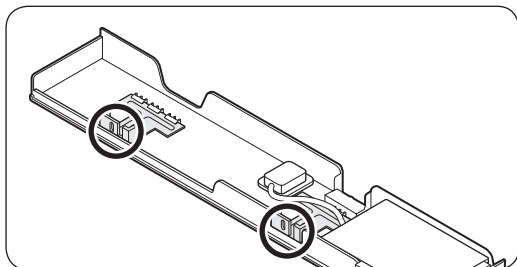
Vous devez retirer l'obturateur supérieur de la porte et la plinthe avant d'ajuster le panneau personnalisé de la porte.



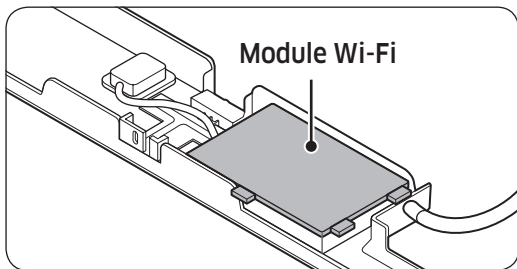
Cache supérieur de la porte		 	M5x16	4 pièces
Plinthe		 	M4x8	2 pièces

Instructions d'installation

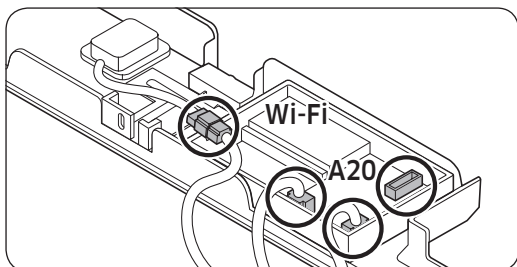
- Cache supérieur de la porte : desserrez les vis puis retirez le cache.



1. Retirez les 4 vis qui fixent le cache de la porte.

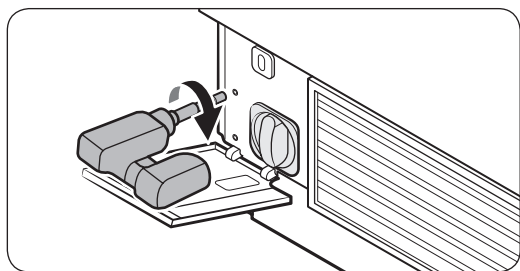


2. Retirez le cache du module Wi-Fi à l'intérieur du cache de la porte.

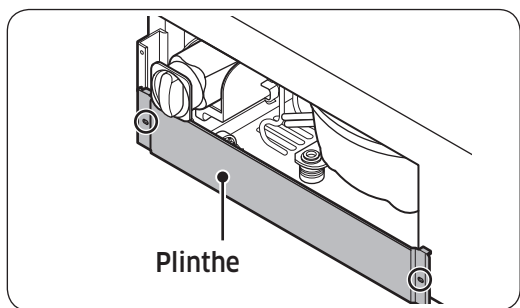


3. Débranchez les connecteurs à boîtier pour séparer le cache supérieur de la porte.

- Plinthe : pour une installation côte à côte, retirez le cache du grill.
Ceci ne s'applique pas aux installations autonomes.



1. Poussez le couvercle du filtre à eau pour l'ouvrir. Retirez les vis sur le côté et retirez le cache du grill.

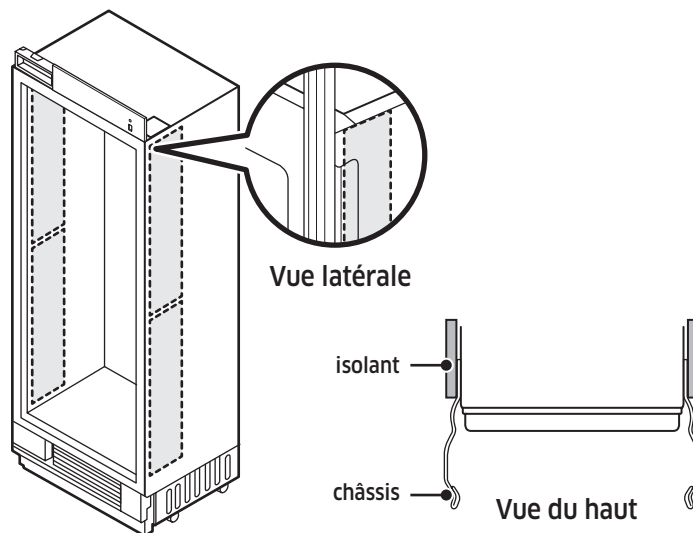


2. Retirez les vis des deux côtés et retirez la plinthe.

Instructions d'installation

6. Fixation des isolants côté congélateur ou réfrigérateur

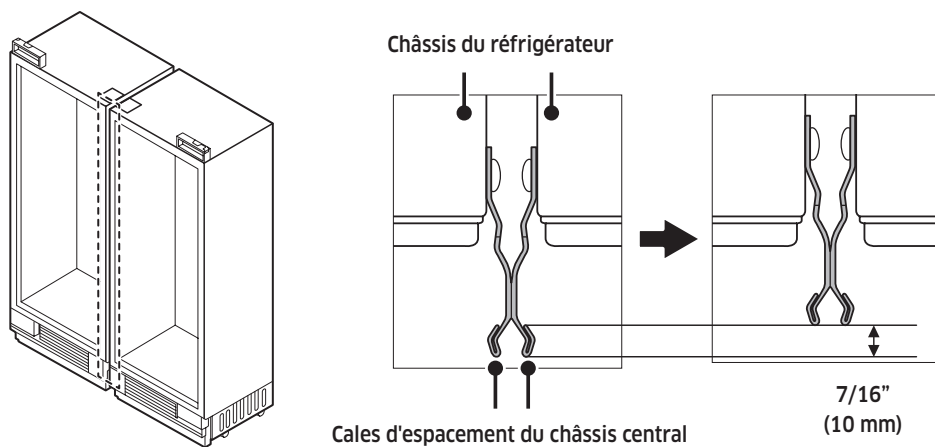
Fixez 2 isolants de chaque côté du congélateur ou du réfrigérateur comme indiqué.
Fixez les isolants en couvrant les vis sur le châssis latéral.



7. Installation côte à côte (paire)

Repositionnement des cales d'espacement du châssis central

1. Retirez la cale d'espacement du châssis central de l'ensemble.
2. Réinstallez les cales d'espacement 7/16 pouces (10 mm) dans leur position initiale (voir le schéma ci-dessous).



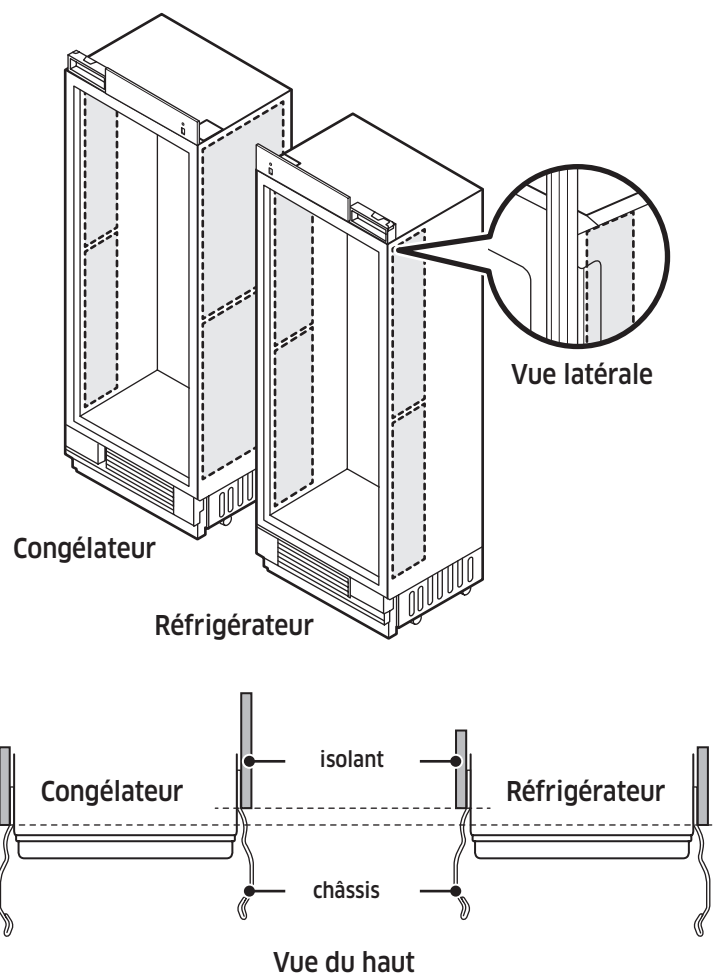
Instructions d'installation

Fixation d'un isolant

Fixez un isolant sur l'un des côtés des surfaces de contact.

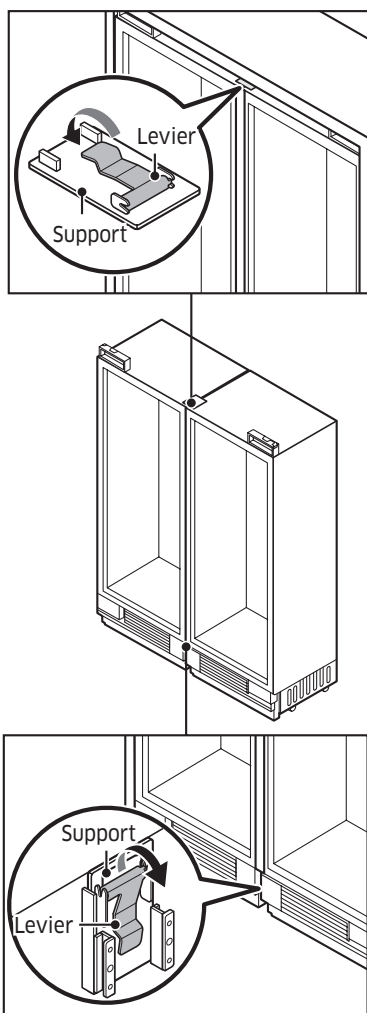
Si un réfrigérateur et un congélateur sont installés côte à côte, fixez l'isolant sur le réfrigérateur.

1. Fixez un isolant de grande taille sur l'une des surfaces de contact. Si un réfrigérateur et un congélateur sont installés côte à côte, fixez l'isolant sur le congélateur en couvrant les vis sur le châssis latéral.
2. Fixez de petits isolants sur les côtés du réfrigérateur et du congélateur, comme sur l'illustration, en couvrant les vis sur le châssis latéral.
3. Alignez l'isolant avec l'extrémité de la cale d'espacement du châssis central.



Relier les deux châssis

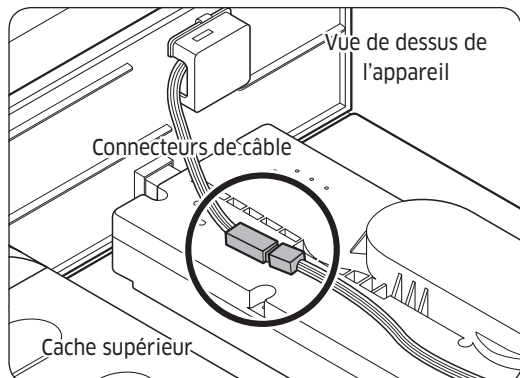
1. Établir la liaison supérieure.
 - Fixez le support rectangulaire sur les languettes qui dépassent au-dessus de chaque châssis (voir le schéma).
 - Fixez le levier pour relier les deux châssis.
2. Établir la liaison inférieure.
 - Insérez le support dans la rainure en bas des deux châssis.
 - Fixez le levier pour relier les deux châssis.



Instructions d'installation

8. Fixer le cache supérieur du réfrigérateur

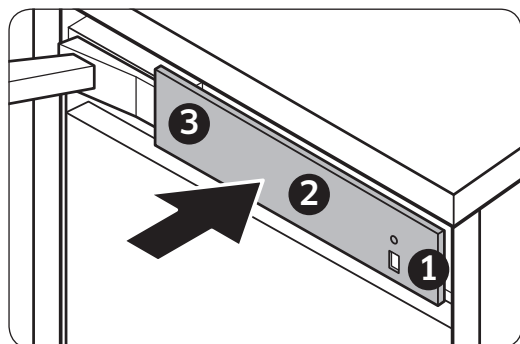
Le capteur d'intensité lumineuse est fixé sur le cache supérieur. Avant de fixer le cache supérieur, branchez d'abord le connecteur du capteur d'intensité lumineuse.



1. Branchez le connecteur du capteur d'intensité lumineuse.
Branchez les câbles des pièces électriques autour du kit d'ouverture automatique de la porte puis insérez les câbles dans le tube rectangulaire.

⚠ ATTENTION

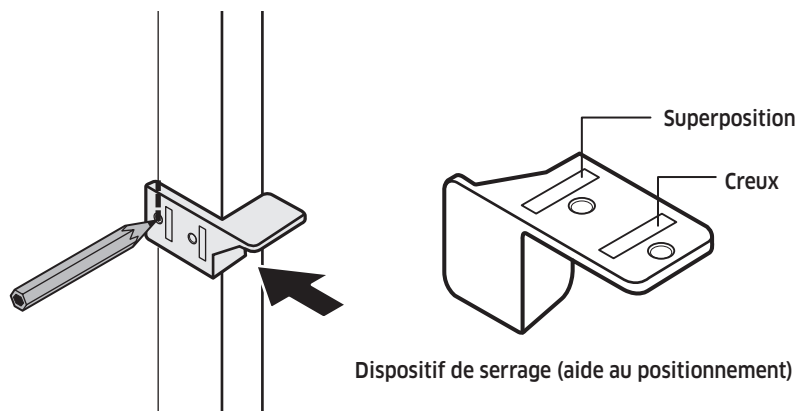
Veillez à ne pas endommager les câbles.



2. Pour fixer le cache supérieur, fixez les crochets dans l'ordre indiqué sur l'illustration.

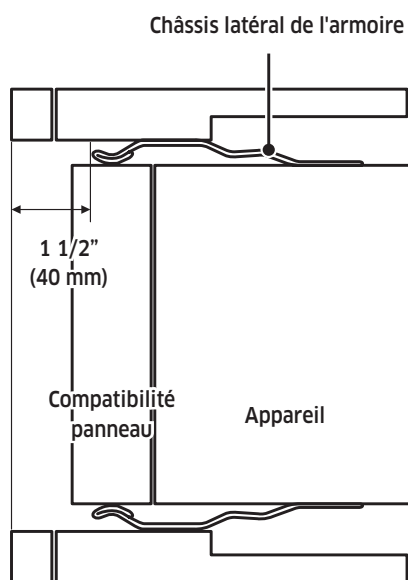
9. Placer le réfrigérateur dans son caisson

- Selon le type d'armoire, un dispositif de serrage (aide au positionnement) peut être utilisé pour aligner le panneau personnalisé de la porte du réfrigérateur avec l'armoire en traçant une ligne verticale sur l'armoire.



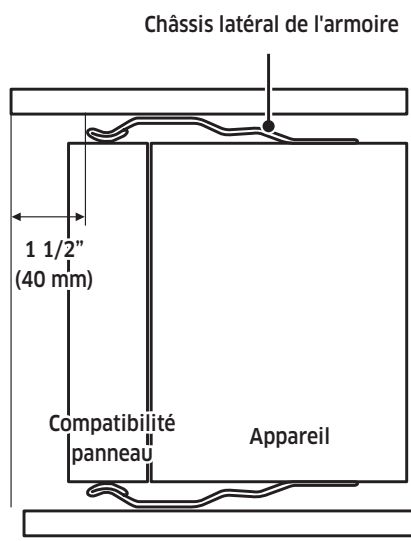
- Positionnez l'armoire côté châssis pour l'aligner avec la ligne verticale.

Type de superposition



Vue du haut

Type sans cadre



Vue du haut

Instructions d'installation

ATTENTION

Veillez à ne pas endommager la conduite d'eau et le cordon d'alimentation lorsque vous placez le réfrigérateur dans son caisson.

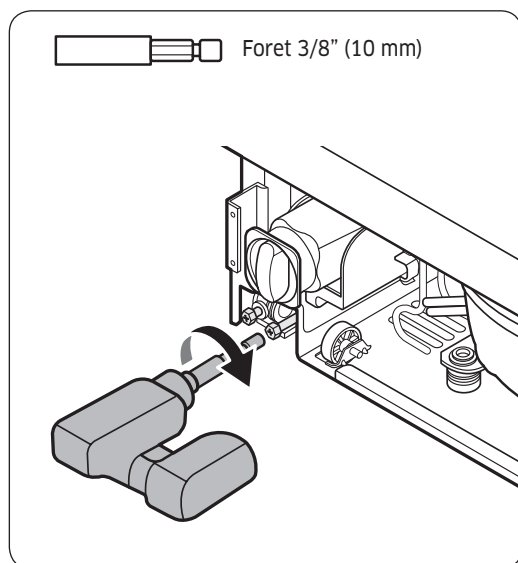
Le tuyau d'eau doit être fixé au sol avant d'être tiré vers l'avant. Placez également le cordon d'alimentation derrière l'appareil pour ne pas trébucher ou marcher dessus.

AVERTISSEMENT

Veillez à ne pas blesser les autres personnes et à ne pas endommager le réfrigérateur lorsque vous le déplacez.

1. Avant de déplacer le réfrigérateur, branchez le cordon d'alimentation.
2. Placez le carton d'emballage ou le contreplaqué le long du trajet pour protéger les sols lors du déplacement de l'appareil.
3. Placez délicatement le réfrigérateur dans son caisson.
4. Alignez le bord avant de la cale d'espacement du châssis avec la ligne verticale préalablement tracée sur l'armoire.

10. Mise à niveau du réfrigérateur



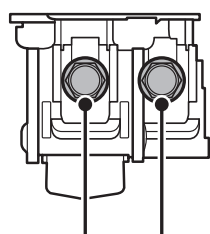
1. En utilisant votre perceuse et le foret indiqué ci-dessous, engagez chacun des arbres d'ajustement du réfrigérateur en rotation et mettez à niveau le réfrigérateur. (SH ↑, SAH ↓)
2. Ajustez l'écart entre le meuble et le cache supérieur du réfrigérateur à 1/8 pouce (3 mm).

⚠ ATTENTION

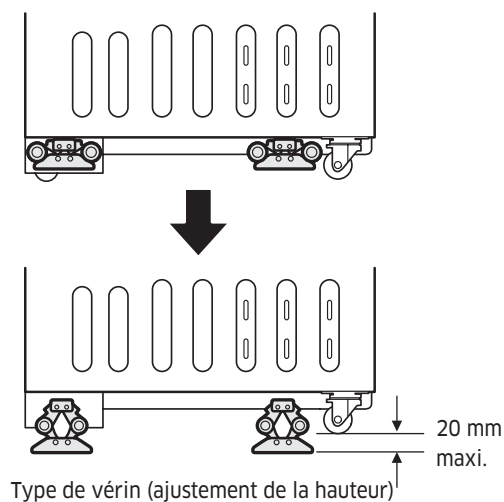
Les pieds de mise à niveau avant et arrière ont un ajustement de hauteur maximale de 3/4 pouces (20 mm).

Si une hauteur plus élevée est nécessaire, l'installateur peut lever le réfrigérateur sur une plaque de contreplaqué ou un tapis.

Lever le réfrigérateur de plus de 3/4 pouces (20 mm) endommagera les composants de mise à niveau avant et arrière.



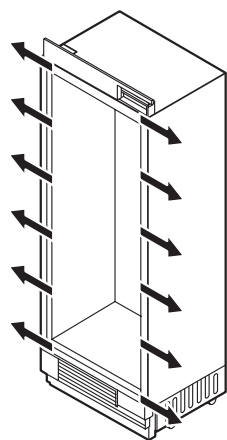
Arbre ajustable
(3/8", 10 mm)



Instructions d'installation

11. Fixation du réfrigérateur

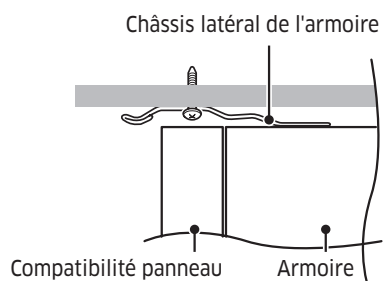
Fixez le réfrigérateur dans son caisson avec des vis (TH) M4x16 (6 vis par côté, comme indiqué sur le schéma).



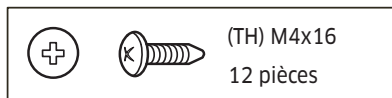
Emplacement fixe



Châssis latéral de l'armoire

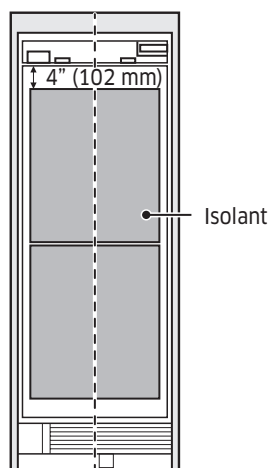


Vue du haut



12. Fixation de l'isolation du panneau avant

- Fixez l'isolation sur la partie avant de la porte du réfrigérateur. (Assurez-vous que la position de montage est correcte).
- Centrez le panneau de la porte et l'isolation comme indiqué sur le schéma.
 - Fixez l'isolation à 4 pouces (102 mm) de la partie supérieure de la porte. (Voir le schéma).

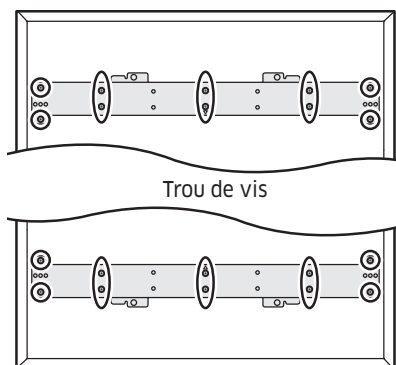


13. Fixation des supports du panneau personnalisé de la porte

Fixez les supports du panneau sur la partie supérieure et inférieure du panneau.

Panneau personnalisé : STS

Enfoncez les 10 vis sur la partie supérieure et inférieure des supports, comme indiqué sur le schéma. (Les autres trous de chaque côté du support ont une autre utilité).



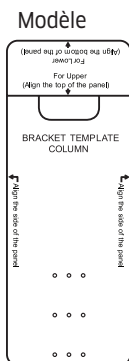
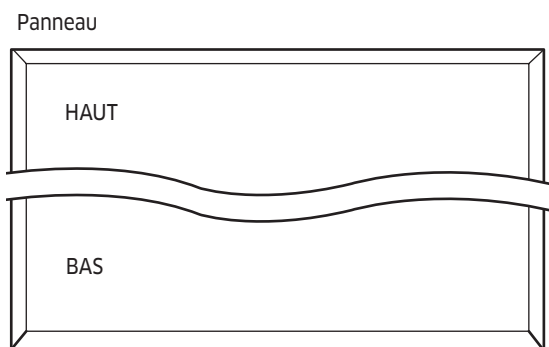
(FH) M4x14 20 pièces

SUP. : 10 pièces / INF. : 10 pièces

Instructions d'installation

Panneau personnalisé : bois, autre

- Le modèle vous indique la position du support et des trous.
- Marquez les positions des trous de chaque coin du panneau selon le modèle et insérez les vis dans les trous.

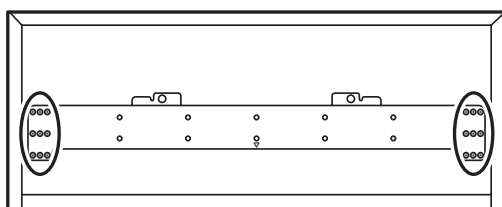


(FH) M4x14 20 pièces

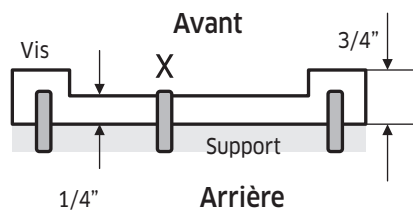
SUP. : 10 pièces /
INF. : 10 pièces

Panneau personnalisé : arrière encastré, autre

Si le panneau ne peut pas être fixé au centre du support en raison de sa conception, utilisez les trous de vis adaptés de chaque côté du support pour fixer le panneau.



Trou de vis



(FH) M4x14

20 pièces

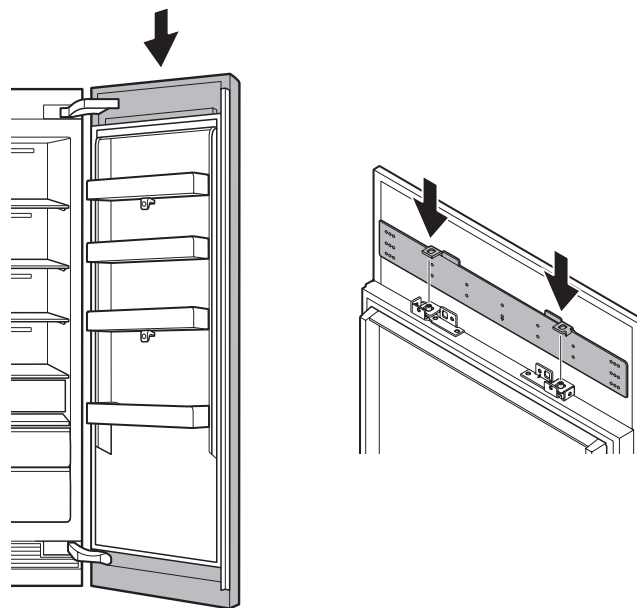
SUP. : 10 pièces / INF. : 10 pièces

14. Fixation d'un panneau personnalisé

AVERTISSEMENT

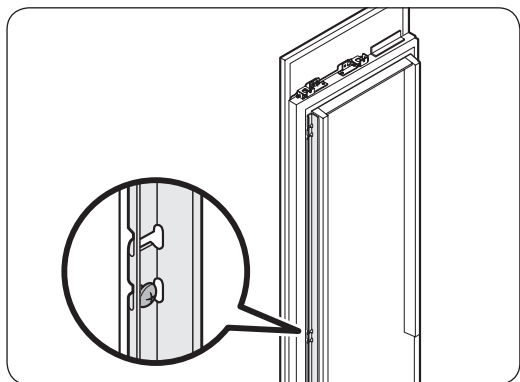
Si vous installez un panneau personnalisé avant de fixer l'appareil sur l'armoire, le panneau personnalisé peut basculer. Afin d'éviter cela, vous devez suivre les instructions d'installation

- Placez le support du panneau sur la vis d'ajustement de hauteur. (Voir le schéma).



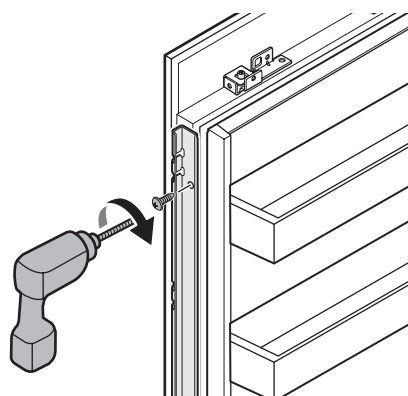
Instructions d'installation

15. Préparation du panneau pour l'ajuster

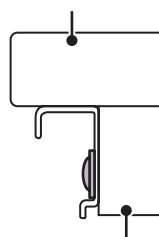


1. Fixez le panneau personnalisé temporairement sur le côté de la porte en serrant la vis au milieu du panneau.

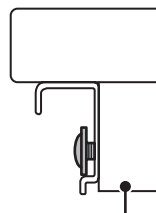
2. Desserrez les 6 vis, sans les retirer, sur le côté de la porte de façon à pouvoir ajuster le panneau personnalisé à la verticale.



Panneau personnalisé

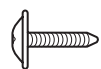


Compatibilité panneau



Support latéral

Vue du haut



(PW) M4x16

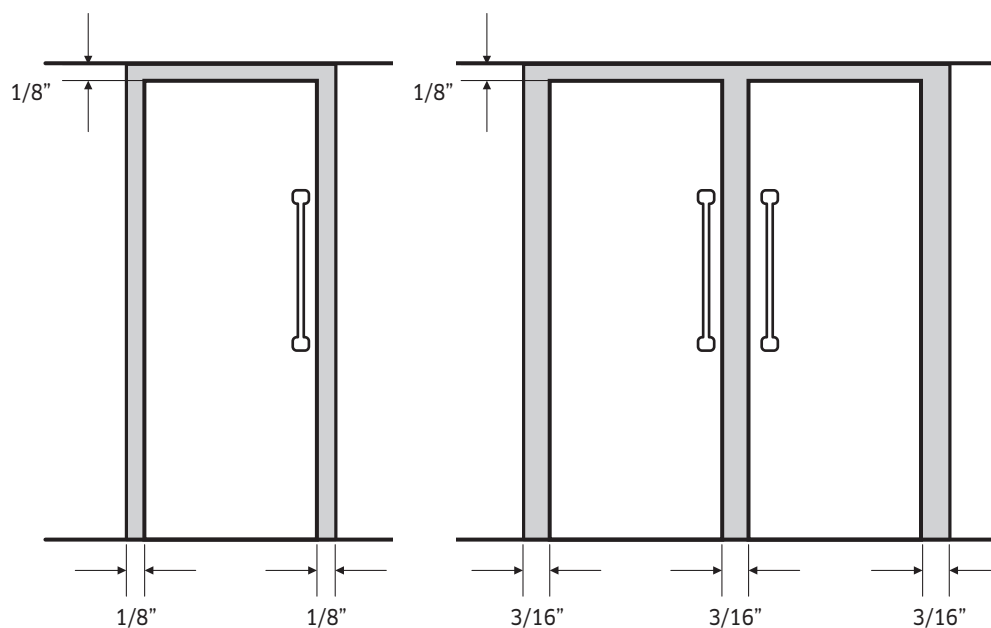
12 pièces

16. Alignement du panneau

Il y a deux mécanismes d'ajustement de panneau au-dessus et deux en dessous de la porte. Ajustez le panneau de sorte qu'il soit aligné avec le meuble autour.

L'espace entre le meuble et le panneau doit être de :

- 1/8" (3 mm) en haut
- 1/8" (3 mm) sur le côté pour une installation unique
- 3/16" (4 mm) sur le côté pour une installation côte à côte



Partie supérieure de la porte

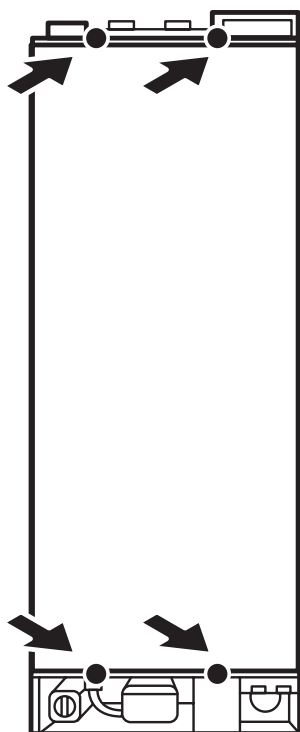
1. Utilisez les boulons à double pas pour aligner le panneau de la porte.
2. Engagez une vis de fixation latérale (voir le schéma) pour basculer le panneau de façon latérale.
3. Engagez la vis 1 (voir le schéma) pour basculer le panneau vers l'avant/arrière, engagez la vis 2 pour mettre le panneau en place.

Instructions d'installation

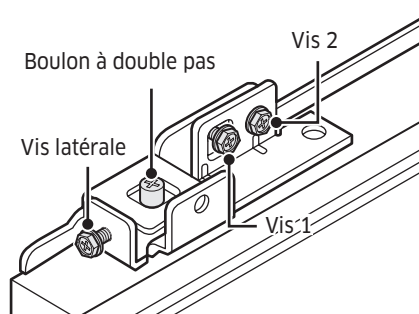
Partie inférieure de la porte

1. Engagez une vis de fixation latérale (voir le schéma) pour basculer le panneau de façon latérale.
2. Engagez la vis 1 (voir le schéma) pour basculer le panneau vers l'avant/arrière, engagez la vis 2 pour mettre le panneau en place.

● Mécanismes d'ajustement du panneau

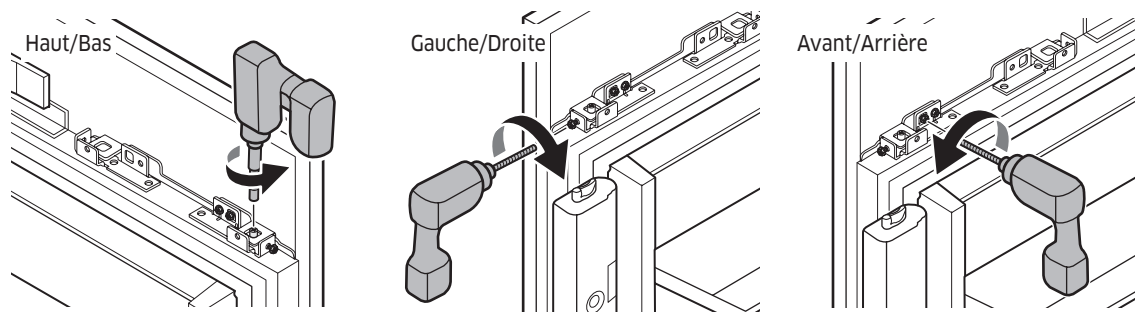


Chaque 12 vis par porte
M6x12 12 pièces

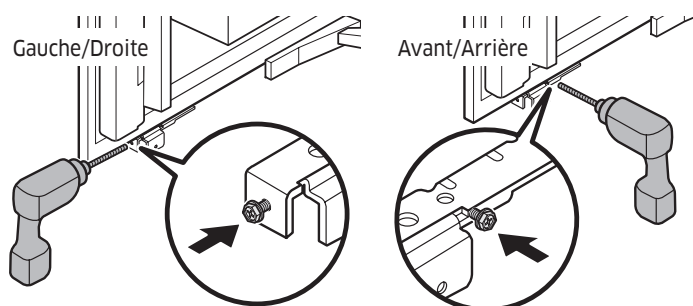


Mécanisme d'ajustement du panneau

Partie supérieure de la porte

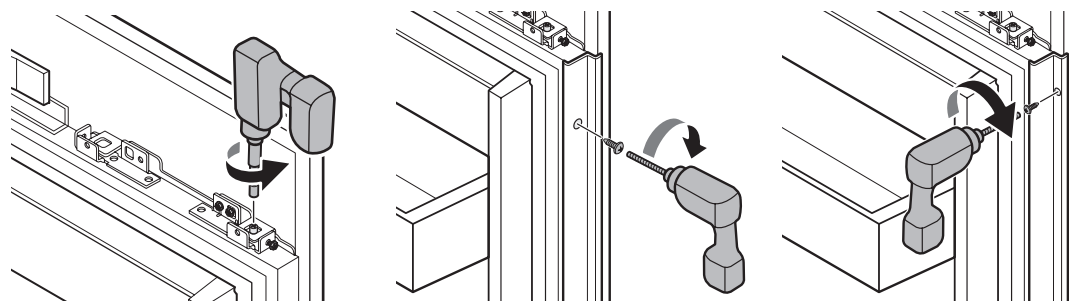


Partie inférieure de la porte



Fixation du panneau sur la porte

1. Vissez les écrous sur les boulons à double pas.
2. Fixez l'habillage latéral du panneau.



Deux écrous par ensemble
 M8

Six vis par côté
 (dans l'habillage)

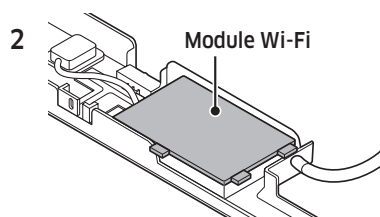
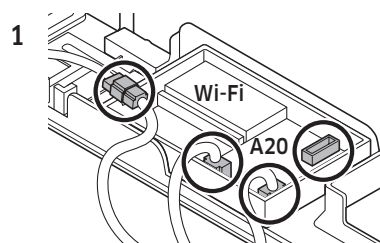
Six vis par côté
 (dans le panneau)

Instructions d'installation

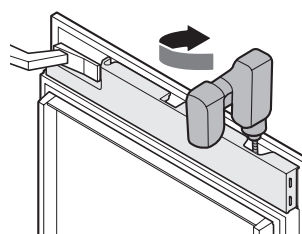
17. Fixation des caches intérieurs de la porte

Cache supérieur de la porte

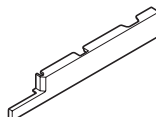
1. Reportez-vous aux figures ci-dessous et installez le boîtier sur la porte.
2. Fermez le couvercle du module Wi-Fi à l'intérieur du cache supérieur de la porte.
3. Enfoncez les vis à partir de la partie supérieure (4 vis par ensemble).



Cache supérieur de la porte



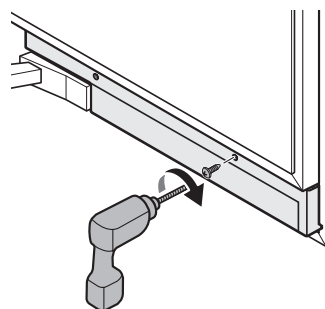
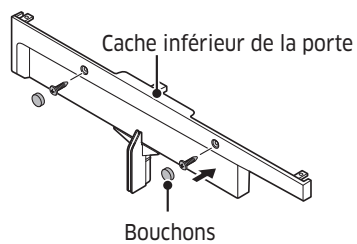
Cache supérieur de la porte



M5x16
4 pièces

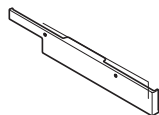
Cache inférieur de la porte

1. Fixez le guidage d'air sur le cache inférieur de la porte (2 vis par ensemble).
2. Fixez le cache inférieur de la porte en enfonçant les vis à partir de la partie avant (2 vis par ensemble).
3. Placez les bouchons sur les trous de vis.



Cache inférieur de la porte

(FH) M4x14 2 pièces



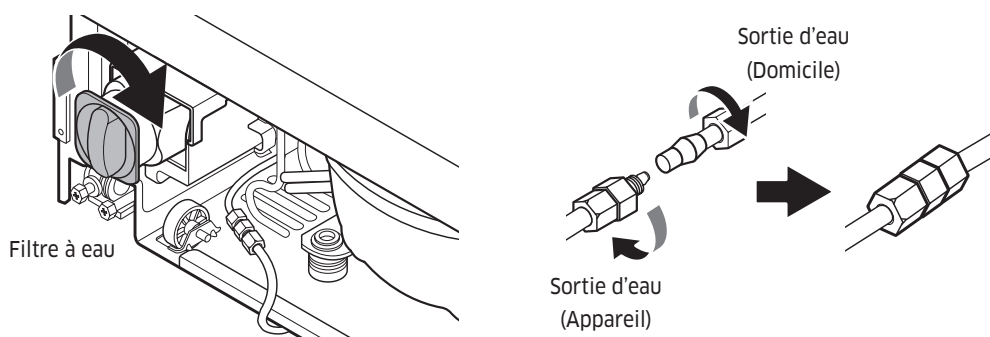
Instructions d'installation

18. Raccordement de la conduite d'eau

Afin d'éviter les fuites et dégâts des eaux, veillez à ne pas entortiller la conduite d'eau. Après avoir raccordé le tuyau d'eau au sol, ouvrez le robinet d'arrivée d'eau à l'arrière de l'appareil, vérifiez le raccordement de la conduite d'arrivée d'eau et l'absence de fuites. Vous devez acheter plusieurs éléments pour effectuer ce raccordement. Ces accessoires sont en vente sous forme de trousse dans votre magasin de bricolage local.

Tube en cuivre	<ul style="list-style-type: none">• Tube en cuivre de 1/4"• Écrou de serrage de 1/4" (1 pièce)• Bague (2 pièces)
Tube en plastique	<ul style="list-style-type: none">• Tube en plastique de 1/4" → Extrémité moulée (en forme de poire)• Écrou de serrage de 1/4" (1 pièce)

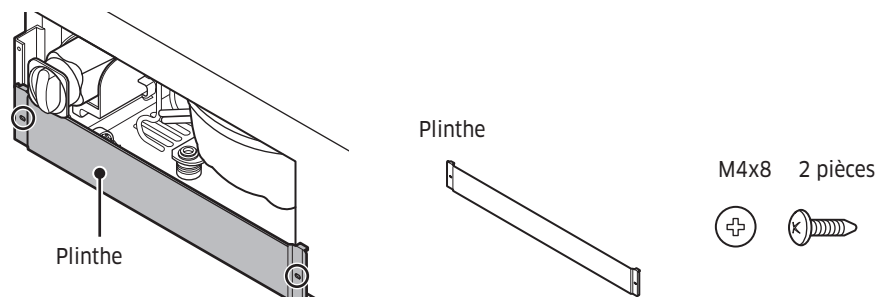
1. Retirez le bouchon du raccordement de l'appareil.
2. Courbez la conduite d'eau en fonction de l'emplacement du raccordement de l'appareil.
3. Faites glisser l'écrou-union et placez le sur la conduite d'eau.
4. Avec la clé plate, serrez l'écrou-union sans forcer.
5. Ouvrez le robinet de sectionnement et le robinet d'eau principal.
6. Vérifiez le raccordement sur le robinet de sectionnement et sur l'appareil pour détecter toute fuite éventuelle.
7. Poussez la conduite d'eau dans le tube de protection aussi loin que possible.



19. Fixation de la plinthe et de la patte (en option)

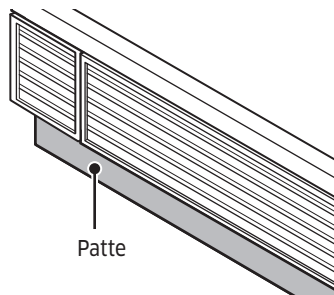
Fixation de la plinthe

- Vissez les vis des deux côtés pour fixer la plinthe.



Fixation de la patte

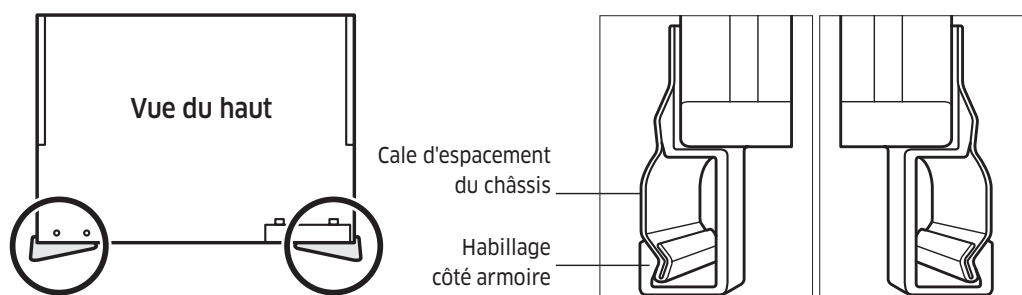
- La hauteur de l'appareil peut être ajustée entre 83 3/8" ~ 84 3/8".
- Si vous souhaitez utiliser la patte (4") fournie par Dacor, notez que celle-ci a été conçue pour un appareil d'une hauteur de 83 7/8" et pour un meuble d'une hauteur de 84".
- Si vous souhaitez utiliser une patte non fournie par Dacor, ajustez sa hauteur en fonction.



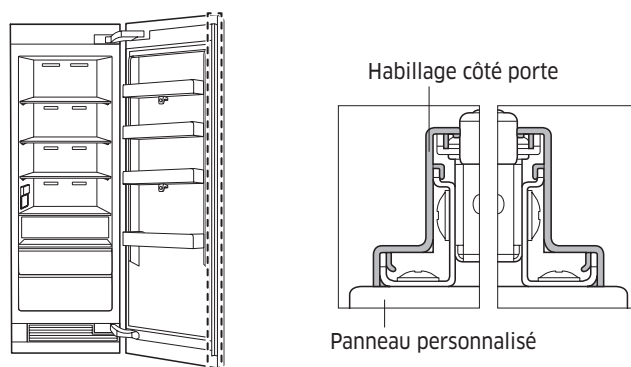
Instructions d'installation

20. Fixation de l'habillage du réfrigérateur

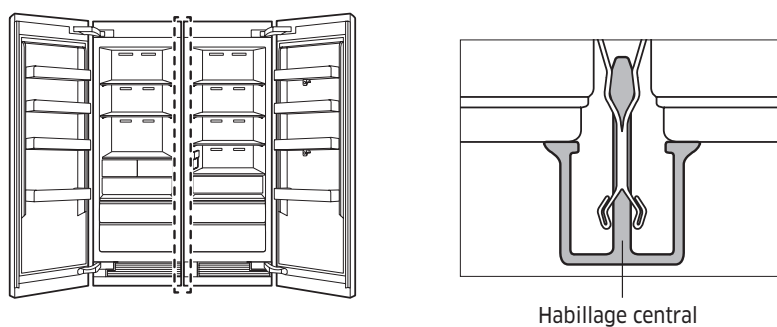
1. Habillage côté armoire : fixez l'habillage entre le réfrigérateur et l'armoire.



2. Habillage côté porte : fixez l'habillage sur le support côté porte.



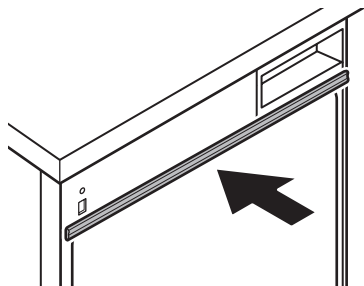
3. (Installation côte à côte uniquement) Habillage central : fixez l'habillage entre le réfrigérateur et le châssis.



21. Fixation du cache supérieur de l'habillage

Fixez le cache supérieur de l'habillage en bas du cache supérieur.

- Pour une installation côte à côte, coupez le cache supérieur de l'habillage pour adapter sa largeur avant de le fixer.



22. Retrait de l'emballage intérieur

Déballez le bloc d'alimentation externe et le ruban.

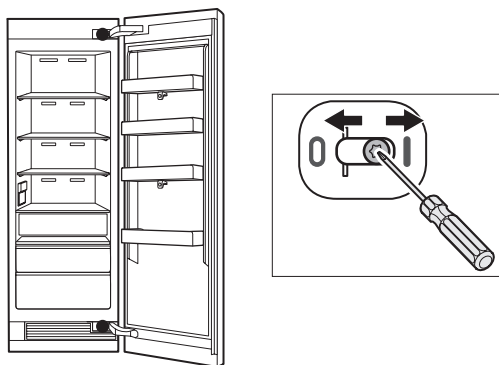
23. Ajustement du ressort de la porte

Ajustez la tension du ressort de la porte selon la taille de l'appareil.

Avec un tournevis cruciforme, tournez la vis d'ajustement.

I = tension maximale du ressort

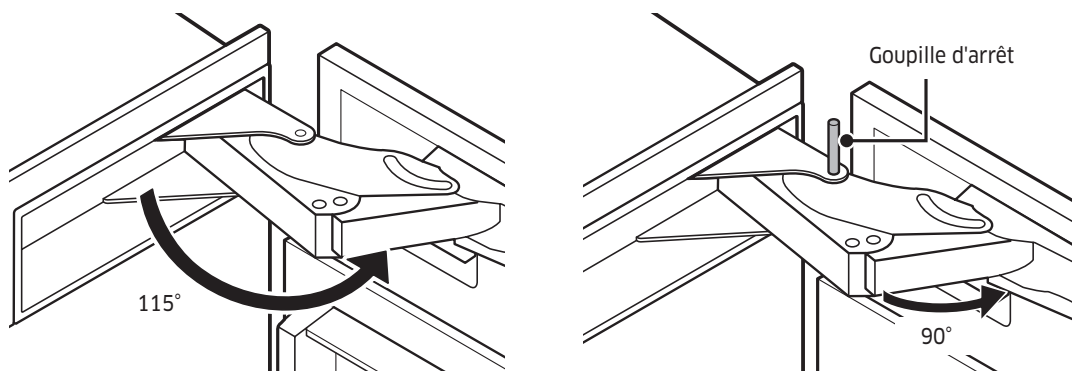
0 = aucune tension du ressort



Instructions d'installation

24. Ajustement de l'angle d'ouverture de la porte

Suite à un réglage en usine par défaut, la porte s'ouvre de 115 degrés. Vous pouvez utiliser la goupille d'arrêt pour réduire l'angle d'ouverture à 90 degrés, en fonction des conditions d'installation.



25. Nettoyage

Retirez le vinyle de protection et nettoyez le panneau personnalisé.

26. Liste de vérifications pour l'installation

Assurez-vous que le réfrigérateur fonctionne correctement et que le panneau personnalisé de la porte s'aligne avec le meuble autour.

AVERTISSEMENT

- La liste de vérifications suivante doit être complétée par l'installateur pour s'assurer que le réfrigérateur est installé correctement et de façon sécurisée, qu'il fonctionne correctement, et qu'aucune pièce n'a été oubliée au cours de l'installation.
- Il incombe au propriétaire de procéder à une bonne installation. **La bonne installation de votre appareil Dacor est essentielle et ne doit pas être négligée.**

Liste de vérifications pour l'installation

- Les éventuels dommages superficiels de l'appareil ont-ils été inspectés ?
- La conduite d'eau a-t-elle été correctement installée en conformité avec les spécifications et la recherche d'éventuelles fuites a-t-elle été effectuée ?
- L'appareil est-il correctement aligné avec les armoires adjacentes ?
- Les portes, tiroirs et clayettes fonctionnent-ils de façon fluide et sans interférences ?
- L'emballage, les rubans et autres documents ont-ils été retirés des parties internes et externes de l'appareil ?
- Le câble d'alimentation est-il branché à une prise électrique de mise à la terre à trois broches conforme aux spécifications électriques ?
- L'appareil a-t-il été correctement mis à niveau ?
- Le support antibasculement a-t-il été correctement installé ?
- Les composants du réfrigérateur fonctionnent-ils tous correctement ?
- La garantie a-t-elle été activée en ligne / la carte de garantie a-t-elle été complétée et transmise ?

Mémo

Mémo



DA68-03621B-02

dacor[®]

Dacor • 14425 Clark Avenue, City of Industry, CA 91745 • Téléphone : (800) 793-0093 • Télécopie : (626) 403-3130 • www.dacor.com

