

***dacor***<sup>®</sup>

**User Manual**

**Refrigerator**

DRF36C700\*\*





# Contents

---

## **Important Information** **4**

---

Before You Begin 4

## **Safety information** **5**

---

What you need to know about the safety instructions 5

Important safety symbols and precautions: 6

State of California Proposition 65 Warning 6

Important safety precautions 6

Severe warning signs for transportation and site 8

Critical installation warnings 9

Installation cautions 11

Critical usage warnings 11

Usage cautions 14

Cleaning cautions 15

Critical disposal warnings 16

## **Installation** **17**

---

Refrigerator at a glance 18

Step-by-step installation 21

## **Operations** **40**

---

Control panel 40

SmartThings 45

SMART GRID Function (Demand Response) (Applicable models only) 48

Special features 52

## **Maintenance** **59**

---

Handling and care 59

Cleaning 63

Replacement 64



---

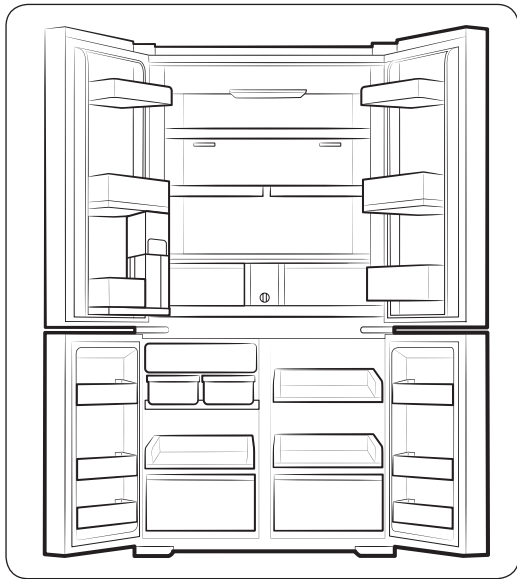
<b>Troubleshooting</b>	<b>67</b>
General	67
Do you hear abnormal sounds from the refrigerator?	71
SmartThings	73
Smart Grid	74
<b>Warranty</b>	<b>75</b>
United States - Warranty	75
CANADA - Warranty	79
<b>Regulatory Notice</b>	<b>85</b>
FCC Notice	85
IC Notice	86
<b>Open Source Announcement</b>	<b>87</b>

---

# Important Information

## Before You Begin

Important Information



### Installer

- Leave these Use and Care instructions with the appliance.

### Consumer

- Please read this Use and Care Manual completely before using your refrigerator. Save it for future reference.

Retain your sales receipt or canceled check. Proof of original purchase date is required for warranty service.

Have the complete model and serial number identification for your appliance ready.

**These numbers are found** on the label located inside of the refrigerator wall. Record these numbers below for easy access.

Model Number	
Serial Number	
Date of Purchase	

# Safety information

---

Before using your new Dacor Refrigerator, please read this manual thoroughly to ensure that you know how to operate the features and functions that your new appliance offers safely and efficiently.

## What you need to know about the safety instructions

---

- This appliance is not intended for use by persons (including children) with reduced physical, sensory or mental capabilities, or lack of experience and knowledge, unless they have been given supervision or instruction concerning use of the appliance by a person responsible for their safety. Children should be supervised to ensure that they do not play with the appliance.
- Because the following instructions cover various models, the characteristics of your refrigerator may differ slightly from the refrigerator described in this manual.
- If you have any question, find help and information online at [www.Dacor.com](http://www.Dacor.com).
- Refrigerant squirting out of the pipes could ignite or cause an eye injury. When refrigerant leaks from the pipe, avoid any naked flames and move anything flammable away from the product and ventilate the room immediately.
  - Failing to do so may result in fire or explosion.
- Improper use of the grounding plug can result in a risk of electric shock. If it is necessary to use an extension cord, use only a 3-wire extension cord that has a 3-blade grounding plug and a 3-slot receptacle that will accept the plug on the appliance. The marked rating of the extension cord should be AC 115-120 V, 10 A, or more. If a grounding adapter is used, make sure the receptacle box is fully grounded.



# Safety information

---

## Important safety symbols and precautions:

---

Please follow all safety instructions in this manual. This manual uses the following safety symbols.

### **WARNING**

Hazards or unsafe practices that may result in **severe personal injury, property damage, and/or death.**

### **CAUTION**

Hazards or unsafe practices that may result in **severe personal injury and/or property damage.**

### **NOTE**

Useful information that helps users understand or benefit from the refrigerator.

These warning signs are here to prevent injury to you and others.

Please follow them carefully.

After reading this section, keep it in a safe place for future reference.

## State of California Proposition 65 Warning

---

### **WARNING**

Cancer and Reproductive Harm - [www.P65Warnings.ca.gov](http://www.P65Warnings.ca.gov).

## Important safety precautions

---



Warning; Risk of fire / flammable materials

### **WARNING**

- R-600a is used as a refrigerant. This product contains flammable gas (Refrigerant R-600a), contact your local authority in regard to safe disposal of this product.
- In order to avoid the creation of a flammable gas-air mixture if a leak in the refrigerating circuit occurs, the size of the room in which the appliance may be sited depends on the amount of refrigerant used. The room must be 35.3 ft<sup>3</sup> in size for every 8 g of R-600a refrigerant inside the appliance.



- The installation location should not be exposed to direct sunlight and not placed near any electric appliance or heat source, e.g. stove, oven or hob, radiator, etc.
- If you use two products side by side, for safety reason, be sure to use certified products in explosive gas atmospheres.
- Never start up an appliance showing any signs of damage. If in doubt, consult your dealer.
- If the supply cord is damaged, it must be replaced by the manufacturer, its service agent or similarly qualified persons in order to avoid a hazard.
- The socket must be easily accessible so that the appliance can be quickly disconnected from the supply in an emergency. It must be outside the area of the rear of the appliance.
- Do not store explosive substances such as aerosol cans with a flammable propellant in this appliance.
- New hose-sets supplied with the appliance are to be used and that old hose-sets should not be reused.
- When positioning the appliance, ensure the supply cord is not trapped or damaged.
- Do not locate multiple portable socket-outlets or portable power supplies at the rear of the appliance.

### **WARNING**

- Fill with potable water only.
- Keep ventilation openings, in the appliance enclosure or in the built-in structure, clear of obstruction.
- Do not use mechanical devices or other means to accelerate the defrosting process, other than those recommended by the manufacturer.
- Do not damage the refrigerant circuit.
- Do not use electrical appliances inside the food storage compartments of The appliance, unless they are of the type recommended by the manufacturer.
- Connect to potable water supply only.

### **WARNING**

- Risk of child entrapment. Before you throw away your old refrigerator or freezer:
  - Take off the doors.
  - Leave the shelves in place so that children may not easily climb inside.



# Safety information

---

## CAUTION

- Risk Of Fire Or Explosion. Flammable Refrigerant Used. Do Not Use Mechanical Devices To Defrost Refrigerator. Do Not Puncture Refrigerant Tubing.
- Risk Of Fire Or Explosion. Flammable Refrigerant Used. To Be Repaired Only By Trained Service Personnel. Do Not Puncture Refrigerant Tubing.
- Risk Of Fire Or Explosion. Flammable Refrigerant Used. Consult Repair Manual/Owner's Guide Before Attempting to Service This Product. All Safety Precautions Must Be Followed.
- Risk Of Fire Or Explosion. Dispose Of Properly In Accordance With Federal Or Local Regulations. Flammable Refrigerant Used.
- Risk Of Fire Or Explosion Due To Puncture Of Refrigerant Tubing; Follow Handling Instructions Carefully. Flammable Refrigerant Used.
- To Prevent A Child From Being Entrapped, Keep Out Of Reach Of Children And Not In The Vicinity Of Freezer Or Refrigerator.

**This appliance is intended to be used in household and similar applications such as**

- staff kitchen areas in shops, offices and other working environments;
- farm houses and by clients in hotels, motels and other residential type environments;
- bed and breakfast type environments;
- catering and similar non-retail applications.

## **Severe warning signs for transportation and site**

---

## WARNING

- When transporting and installing the appliance, care should be taken to ensure that no parts of the refrigerating circuit are damaged.
  - Refrigerant leaking from the pipe work could ignite or cause an eye injury. If a leak is detected, avoid any naked flames or potential sources of ignition and air the room in which the appliance is standing for several minutes.
  - This appliance contains a small amount of isobutane refrigerant (R-600a), a natural gas with high environmental compatibility that is, however, also flammable.





---

## Critical installation warnings

---

### **WARNING**

- Do not install the refrigerator in a damp location or place where it may come in contact with water.
  - Deteriorated insulation on electrical parts may cause an electric shock or fire.
- Do not place this refrigerator in direct sunlight or expose it to the heat from stoves, room heaters, or other appliances.
- Do not plug several appliances and the refrigerator into the same multiple power strip. The refrigerator should always be plugged into its own individual electrical outlet which has a voltage rating that matches the voltage listed on the refrigerator's rating plate.
  - This provides the best performance and also prevents overloading of house wiring circuits, which could overheat the wires and cause a fire hazard.
- If the wall socket is loose, do not insert the power plug.
  - There is a risk of electric shock or fire.
- Do not use a power cord that has cracks or abrasion damage along its length or at either end.
- Do not bend the power cord excessively or place heavy objects on it.
- Do not pull or excessively bend the power cord.
- Do not twist or tie the power cord.
- Do not hook the power cord over a metal object, place a heavy object on the power cord, insert the power cord between objects, or push the power cord into the space behind the appliance.
- When moving the refrigerator, be careful not to roll over or damage the power cord.
  - This may result in an electric shock or fire.
- Never unplug your refrigerator by pulling on the power cord. Always grip the plug firmly and pull straight out from the outlet.
  - Damage to the cord may cause a short-circuit, fire, and/or electric shock.
- Do not install this appliance near a heater or flammable material.
- Do not install this appliance in a location where gas may leak.
  - This may result in an electric shock or fire.
- This refrigerator must be properly located and installed in accordance with the instructions in this manual before you use it.
- Connect the power plug in the proper position with the cord hanging down.
  - If you connect the power plug upside down, the wire can get cut off and cause a fire or electric shock.
- Make sure that the power plug is not crushed or damaged by the back of the refrigerator.



# Safety information

---

- Keep the packing materials out of reach of children.
  - There is a risk of death from suffocation if a child puts the packing materials on his or her head.
- The appliance must be positioned so that the plug is accessible after installation.
  - Failing to do so may result in an electric shock or fire due to electric leakage.
- Do not install this appliance in a humid, oily or dusty location, or in a location exposed to direct sunlight or to water (rain drops).
  - Deteriorated insulation on electrical parts may cause an electric shock or fire.
- If large amounts of dust or water enter the refrigerator, disconnect the power plug and contact a Dacor service center.
  - Otherwise there is a risk of fire.
- Do not stand on top of the appliance or place objects (such as laundry, lighted candles, lighted cigarettes, dishes, chemicals, metal objects, etc.) on the appliance.
  - This may result in an electric shock, fire, problems with the product, or injury.
- You need to remove all the protective plastic film before you initially plug the product in.
- Children should be supervised to ensure that they do not play with the snap rings used for door adjustment or the water tube clips.
  - There is risk of death by suffocation if a child swallows a snap ring or water tube clip. Keep the snap rings and water tube clips out of children's reach.
- The refrigerator must be safely grounded.
  - Always make sure that you have grounded the refrigerator before attempting to investigate or repair any part of the appliance. Power leakages can cause severe electric shock.
- Never use gas pipes, telephone lines, or other potential lightning attractors as an electrical ground.
  - You must ground the refrigerator to prevent any power leakages or electric shocks caused by current leakage from the refrigerator.
  - Current leakage may result in an electric shock, fire, explosion, or problems with the product.
- Plug the power plug into the wall socket firmly. Do not use a damaged power plug, damaged power cord, or loose wall socket.
  - This may result in an electric shock or fire.
- Only a qualified technician or service company should be allowed to change the fuse in the refrigerator.
  - Failing to do so may result in an electric shock or personal injury.



---

## Installation cautions

---

### CAUTION

- Allow sufficient space around the refrigerator and install it on a flat surface.
  - Keep the ventilation space in the appliance enclosure or mounting structure clear of obstructions.
- After you have installed the refrigerator and turned it on, allow the appliance to stand for 2 hours before loading it with food.
- It is strongly recommended you have a qualified technician or service company install the refrigerator.
  - Failing to do so may result in an electric shock, fire, explosion, problems with the product, or injury.
- Overloading one door may make the refrigerator fall, causing physical injury.

---

## Critical usage warnings

---

### WARNING

- Do not insert the power plug into a wall socket with wet hands.
  - This may result in an electric shock.
- Do not store articles on the top of the appliance.
  - When you open or close the door, the articles may fall and cause personal injury and/or material damage.
- Do not insert hands, feet, or metal objects (such as chopsticks, etc.) into the bottom or the back of the refrigerator.
  - This may result in an electric shock or injury.
  - Any sharp edges may cause a personal injury.
- Do not touch the inside walls of the freezer or products stored in the freezer with wet hands.
  - This may cause frostbite.
- Do not put a container filled with water on the refrigerator.
  - If spilled, there is a risk of fire or electric shock.
- Do not keep volatile or flammable objects or substances (benzene, thinner, propane gas, alcohol, ether, LP gas, and other such products) in the refrigerator.
  - This refrigerator is for storing food only.
  - This may result in fire or explosion.
- Children should be supervised to ensure that they do not play with the appliance.
  - Keep fingers out of “pinch point” areas. Clearances between the doors and cabinet are necessarily small. Be careful when you open the doors if children are in the area.

# Safety information

---

- Do not let children hang on the door or door bins. A serious injury may occur.
- Do not let children go inside the refrigerator. They could become trapped.
- Do not insert your hands into the area under the appliance.
  - Any sharp edges may cause personal injury.
- Do not store pharmaceutical products, scientific materials, or temperature sensitive products in the refrigerator.
  - Products that require strict temperature controls must not be stored in the refrigerator.
- Do not place or use electrical appliances inside the refrigerator/freezer, unless they are of a type recommended by the manufacturer.
- If you smell smoke, pull out the power plug immediately, and then contact a Dacor service center.
- If large amounts of dust or water enter the refrigerator, disconnect the power plug and contact your Dacor service center.
  - Otherwise there is a risk of fire.
- Do not let children step on a drawer.
  - The drawer may break and cause them to slip.
- Do not leave the doors of the refrigerator open while the refrigerator is unattended and do not let children enter the refrigerator.
- Do not allow babies or children to go into a drawer.
  - It can cause death from suffocation by entrapment or personal injury.
- Do not overfill the refrigerator with food.
  - When you open the door, an item may fall out and cause personal injury or material damage.
- Do not spray volatile material such as insecticide onto the surface of the appliance.
  - As well as being harmful to humans, it may also result in an electric shock, fire, or problems with the product.
- Never put fingers or any objects into the water dispenser outlet, ice chute, or ice maker bucket.
  - It may cause a personal injury or material damage.
- Do not use or place any substances sensitive to temperature such as flammable sprays, flammable objects, dry ice, medicine, or chemicals near or inside the refrigerator.
- Do not use a hair dryer to dry the inside of the refrigerator. Do not place a lighted candle in the refrigerator to remove bad odors.
  - This may result in an electric shock or fire.
- Fill the water tank and ice cube trays with potable water only (tap water, mineral water, or purified water).
  - Do not fill the tank with tea, juice, or a sports drink. They can damage the refrigerator.

- Do not stand on top of the appliance or place objects (such as laundry, lighted candles, lighted cigarettes, dishes, chemicals, metal objects, etc.) on the appliance. This may result in an electric shock, fire, problems with the product, or injury. Do not put a container filled with water on the appliance.
  - If spilled, there is a risk of fire or electric shock.
- Never stare directly at the UV LED lamp for long periods of time.
  - This may result in eye strain due to the ultraviolet rays.
- Do not put a fridge shelf into the refrigerator upside down. The shelf stopper will not work.
  - The glass shelf could fall and cause personal injury.
- Keep fingers out of “pinch point” areas. Clearances between the doors and cabinet are necessarily small. Be careful when you open the doors if children are in the area.
- If a gas leak is detected, avoid any naked flames or potential sources of ignition, and air the room in which the appliance is standing for several minutes.
  - Do not touch the appliance or power cord.
  - Do not use a ventilating fan.
  - A spark may result in an explosion or fire.
- Use only the LED Lamps provided by the manufacturer or its service agents.
- Bottles should be stored tightly together so that they do not fall over or out.
- This product is intended only for the storage of food in a domestic environment.
- Do not attempt to repair, disassemble, or modify the refrigerator yourself.
  - Unauthorized modifications can cause safety problems. To reverse an unauthorized modification, we will charge the full cost of parts and labor.
- Do not use any fuse (such as cooper, steel wire, etc.) other than a standard fuse.
- If your refrigerator needs to be repaired or reinstalled, contact your nearest Dacor service center.
  - Failing to do so may result in an electric shock, fire, problems with the product, or injury.
- If the interior or exterior LED lamp has gone out, contact your nearest Dacor service center.
- If the refrigerator emits a burning smell or smoke, unplug the refrigerator immediately and contact a Dacor service center.
  - Failing to do so may result in an electric or fire hazards.
- Pull the power plug out of the socket before changing the interior lamps of the refrigerator.
  - Otherwise, there is a risk of electric shock.
- If you experience difficulty changing a non-LED light, contact a Dacor service center.



# Safety information

---

- If the product is equipped with LED lamps, do not disassemble the Lamp Covers and LED lamps yourself.
  - Contact a Dacor service center.
- Plug the power plug into the wall socket firmly.
- Do not use a damaged power plug, damaged power cord, or loose wall socket.
  - This may result in an electric shock or fire.

## Usage cautions

---

### CAUTION

- Do not re-freeze frozen foods that have thawed completely.
- Use only the ice maker provided with the refrigerator.
- To get the best performance from the product:
  - Do not place food too close to the vents at the rear of the refrigerator as this can obstruct free air circulation in the refrigerator compartment.
  - Wrap food up properly or place it in airtight containers before putting it into the refrigerator.
  - Please observe maximum storage times and expiration dates of frozen goods.
- Do not put glass containers or bottles or carbonated beverages into the freezer.
  - The container may freeze and break, and this may result in injury.
- Service Warranty and Modification.
  - Any changes or modifications performed by a 3rd party on this finished appliance are not covered under Dacor warranty service, nor is Dacor responsible for safety issues that result from 3rd party modifications.
- Do not block the air vents inside the refrigerator.
  - If the air vents are blocked, especially with a plastic bag, the refrigerator can be over cooled. If a cooling period lasts too long, the water filter may break and cause water leakage.
- If the refrigerator is disconnected from the power supply, you should wait for at least five minutes before plugging it back in.
- If large amounts of water enter the refrigerator, pull out the power plug and contact a Dacor service center.
- Do not strike or apply excessive force to any glass surface.
  - Broken glass may result in a personal injury and/or property damage.
- Fill the water tank and ice cube trays with potable water only (tap water, mineral water, or purified water).
  - Do not fill the tank with tea, juice, or a sports drink. They can damage the refrigerator.



- 
- If the refrigerator is flooded, shut off the power to the refrigerator and contact your nearest Dacor service center.
    - There is a risk of electric shock or fire.
  - Do not keep vegetable oil in your refrigerator's door bins. The oil can solidify, making it foul-tasting and difficult to use. In addition, the open container can leak and the leaked oil can cause the door bin to crack. After opening an oil container, it is best to keep the container in a cool and shaded place such as a cupboard or pantry.
    - Examples of vegetable oil: olive oil, corn oil, grape-seed oil, etc.

## Cleaning cautions

---

### CAUTION

- Do not spray water directly on the inside or outside of the refrigerator.
  - There is a risk of fire or electric shock.
- Do not use a hair dryer to dry the inside of the refrigerator.
- Do not place a lighted candle in the refrigerator to remove bad odors.
  - This may result in an electric shock or fire.
- Do not spray cleaning products directly on the display.
  - Printed letters on the display may come off.
- If any foreign substance such as water has entered the appliance, unplug the power plug and contact your nearest Dacor service center.
  - Failing to do so may result in an electric shock or fire.
- Use a clean, dry cloth to remove any foreign matter or dust from the power plug blades. Do not use a wet or damp cloth when cleaning the plug.
  - Otherwise, there is a risk of fire or electric shock.
- Do not clean the appliance by spraying water directly onto it.
- Do not use benzene, thinner, or Clorox (bleach) to clean the refrigerator.
  - They may damage the surface of the appliance and may cause a fire.
- Never put fingers or any objects into the dispenser outlet.
  - This can cause a personal injury or material damage.
- Before cleaning or performing maintenance, unplug the appliance from the wall socket.
  - Failing to do so may result in an electric shock or fire.
- Use a clean sponge or soft cloth and a mild detergent in warm water to clean the refrigerator.



# Safety information

---

- Do not use abrasive or harsh cleansers such as window sprays, scouring cleansers, flammable fluids, muriatic acid, cleaning waxes, concentrated detergents, bleaches, or cleansers containing petroleum products on exterior surfaces (doors and cabinet), plastic parts, door and interior liners, and gaskets.
  - These can scratch or damage the material.
- Do not clean glass shelves or covers with warm water when they are cold. Glass shelves and covers may break if exposed to sudden temperature changes or impacts such as bumping or dropping.

## Critical disposal warnings

---

### **WARNING**

- Children trapped inside a refrigerator can hurt themselves or suffocate to death.
- Please dispose of the packaging material from this product in an environmentally friendly manner.
- Ensure that none of the pipes on the back of the refrigerator are damaged prior to disposal.
- This product contains R-600a, a flammable gas, which is used as the refrigerant. Contact your local authorities regarding safe disposal of this product.
- When disposing of this refrigerator, remove the door/door seals and door latch so that small children or animals cannot become trapped inside. Children should be supervised to ensure that they do not play with the appliance.
  - If trapped inside, the child could be injured or suffocate to death.
- Cyclopentane is used in the insulation. The gases in the insulation material require a special disposal procedure. Please contact your local authorities in regard to the environmentally safe disposal of this product.
- Keep all packaging materials well out of the reach of children, as packaging materials can be dangerous to children.
  - If a child places a bag over his or her head, the child could suffocate.





# Installation

---

Follow these instructions carefully to ensure a proper installation of this refrigerator and to prevent accidents before using it.

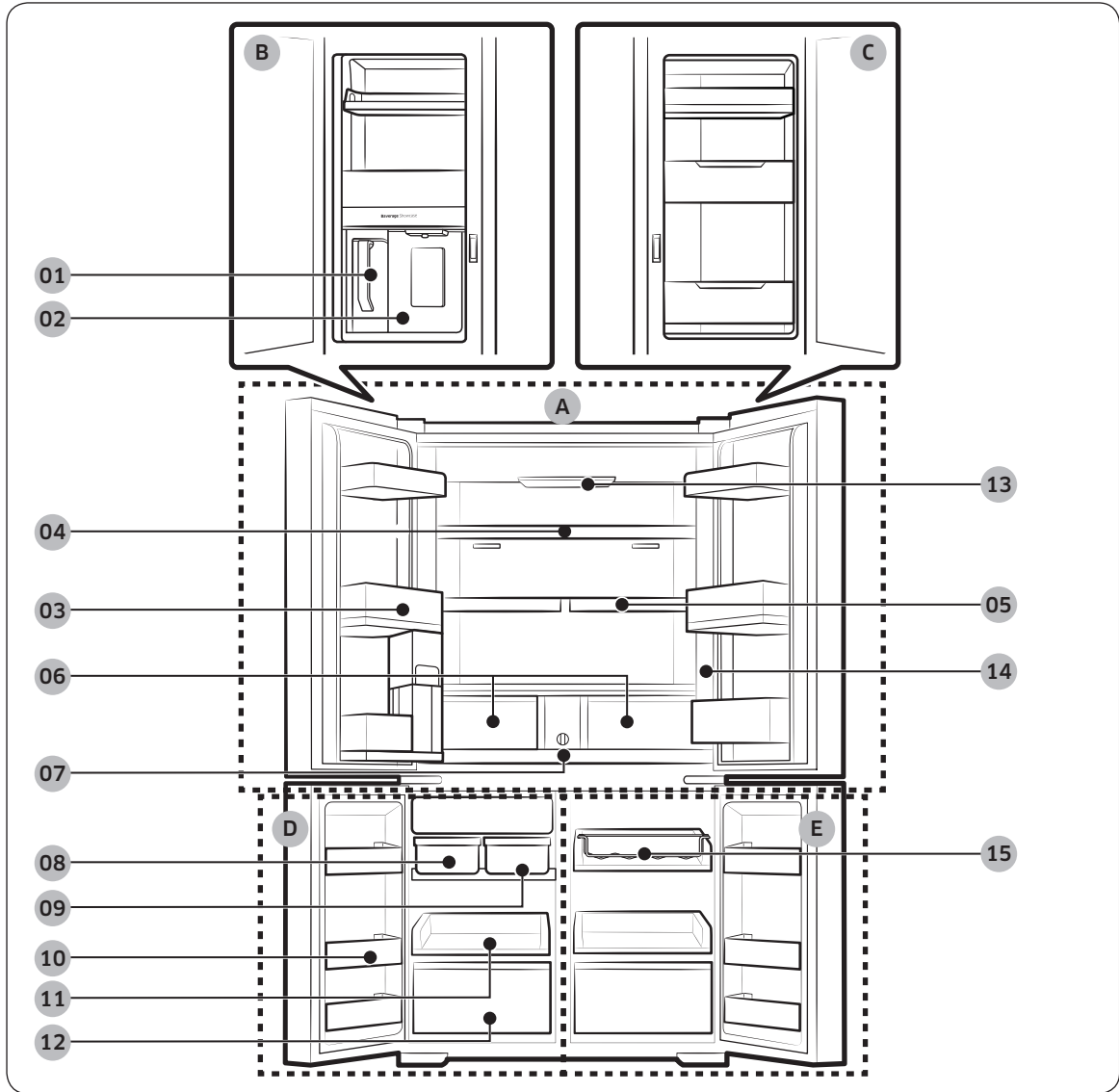
## **WARNING**

- Use the refrigerator only for its intended purpose as described in this manual.
- Any servicing must be performed by a qualified technician.
- Dispose of the product packaging material in compliance with the local regulations.
- To prevent electric shock, unplug the power plug before servicing or replacing parts.

# Installation

## Refrigerator at a glance

The actual refrigerator and provided component parts of your refrigerator may differ from the illustrations in this manual, depending on the model and the country.



- 
- |  |                           |
|--|---------------------------|
| <b>01</b> AutoFill Pitcher                           | <b>A.</b> Fridge          |
| <b>02</b> Water dispenser                            | <b>B.</b> Beverage Center |
| <b>03</b> Fridge door bin                            | <b>C.</b> Reveal door     |
| <b>04</b> Fridge shelf                               | <b>D.</b> Freezer         |
| <b>05</b> Quick Space shelf                          | <b>E.</b> FlexZone        |
| <b>06</b> Crisper+ / Flex Crisper                    |                           |
| <b>07</b> Water filter                               |                           |
| <b>08</b> Auto ice maker - Cubed Ice * (Ice Maker *) |                           |
| <b>09</b> Auto ice maker - Ice Bites                 |                           |
| <b>10</b> Freezer door bin                           |                           |
| <b>11</b> Freezer shelf                              |                           |
| <b>12</b> Freezer drawer                             |                           |
| <b>13</b> UV Deodorizing Filter                      |                           |
| <b>14</b> Control panel                              |                           |
| <b>15</b> Wine rack                                  |                           |

\* applicable models only

#### **NOTE**

- For energy efficiency, keep all shelves, drawers, and baskets in their original positions.
- When closing the door, make sure the vertical hinged section is in the correct position to avoid scratching the other door.
- If the vertical hinged section is reversed, put it back into the correct position, and then close the door.
- Moisture may form at times on the vertical hinged section.
- If you close a door forcefully, the other door may open.
- If the internal or external LED lamp is out of order, contact a local Dacor service center.

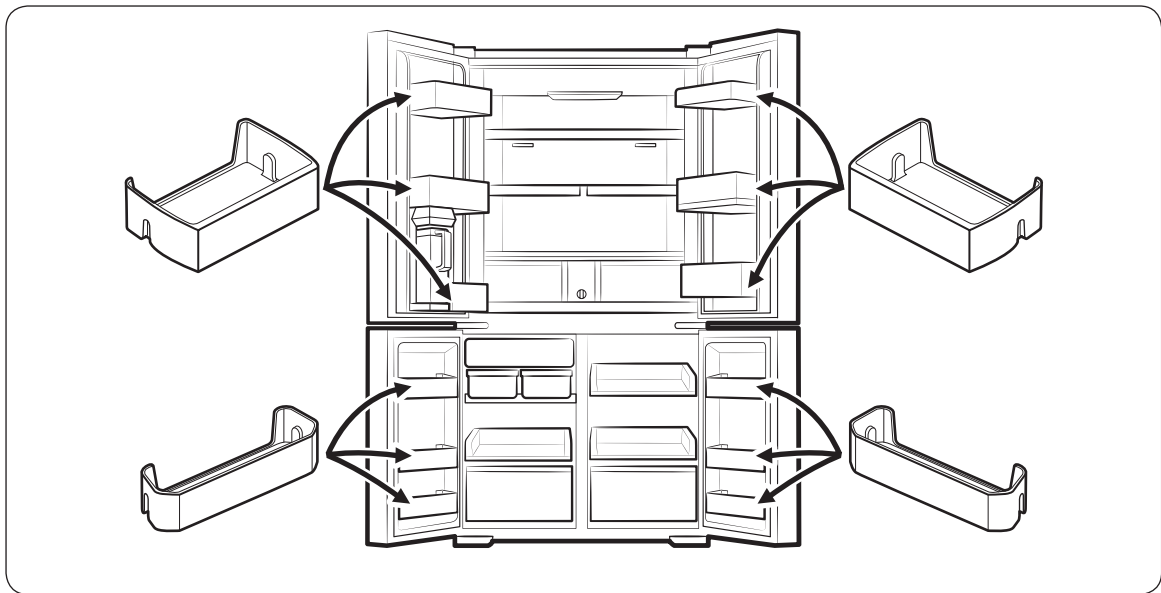
# Installation

## Door bins

Your refrigerator ships with door bins of different types and sizes. If the door bins for your refrigerator were packaged separately, use the figure below to help you position the bins properly.

### NOTE

The actual refrigerator and provided component parts of your refrigerator may differ from the illustrations in this manual, depending on the model and the country.



---

## Step-by-step installation

---

### STEP 1 Select a site

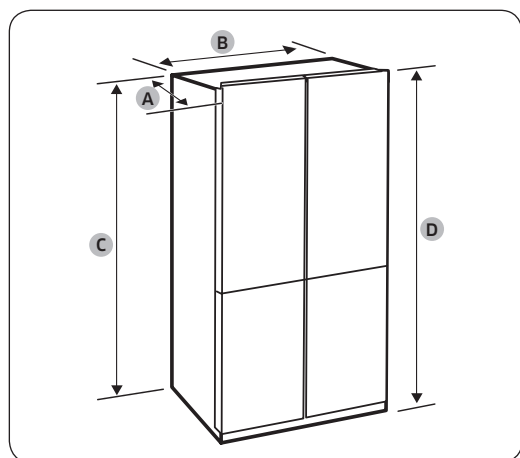
---

The site must:

- Have a solid level surface without carpeting or flooring that may obstruct ventilation
- Be out of direct sunlight
- Have adequate room for opening and closing the door
- Be away from any heat source
- Provide room for maintenance and servicing
- Have a temperature range between 50 °F (10 °C) and 110 °F (43 °C)

#### Clearance

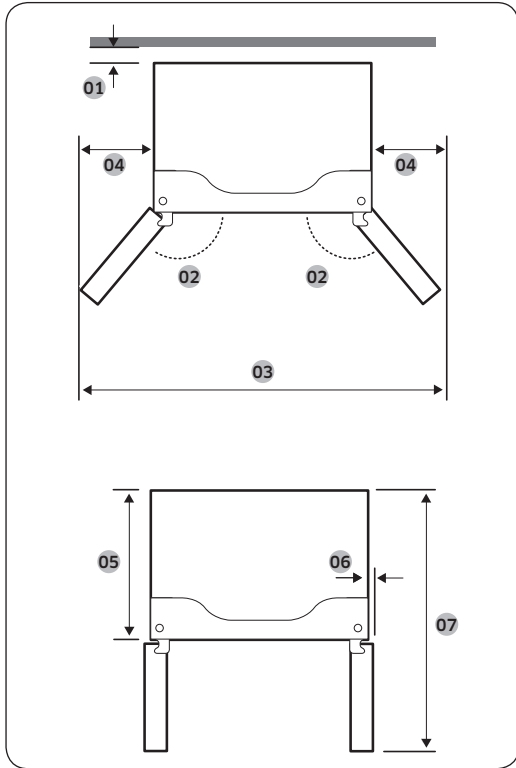
See the following figures and tables for installation space requirements.



A	28 1/2" (723 mm)
B	35 7/8" (912 mm)
C	70 3/4" (1797 mm)
D	71 7/8" (1825 mm)

- A. Depth
- B. Width
- C. Height (without hinge)
- D. Overall Height

# Installation



01	more than 2" (50 mm) recommended
02	125°
03	58" (1472 mm)
04	11 1/8" (282 mm)
05	24" (610 mm)
06	1 7/8" (47 mm)
07	43" (1093 mm)

## NOTE

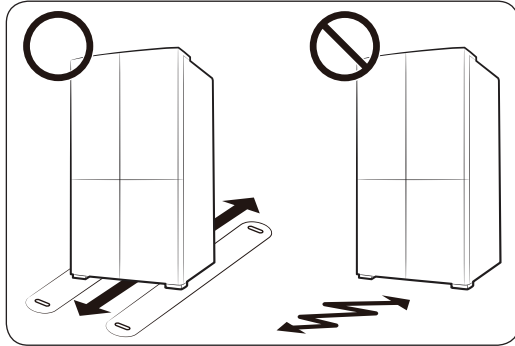
The measurements in the tables may differ slightly from the actual measurements, depending on the measuring and rounding method.

---

## STEP 2 Flooring

---

If the refrigerator cannot pass through the entrance due to its size, see **STEP 3 Door removal** for entrance.



### NOTE

To prevent floor damage, make sure the front leveling legs are in the upright position.

- The surface you install the refrigerator on must support a fully loaded refrigerator.
- To protect the floor, put a large piece of cardboard along the path to the refrigerator's final installation location.
- Once the refrigerator is in its final position, do not move it unless necessary to protect the floor. If you have to move the refrigerator, place thick paper or cloth such as old carpets along the path of movement.

# Installation

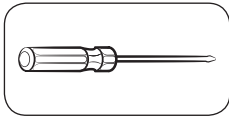
## STEP 3 Door removal for entrance

If the refrigerator cannot pass through the entrance to your home or kitchen due to its size, follow these instructions to remove and then re-install the refrigerator's doors. If you do not need to remove the doors, go to page 32 to continue the installation procedure.

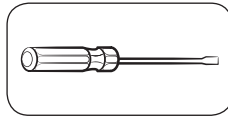
### **WARNING**

Unplug the power cord of the refrigerator before removing the doors.

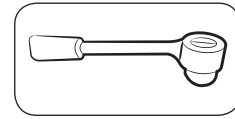
Tools required (not provided)



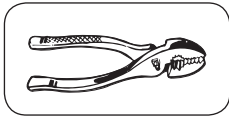
Phillips screwdriver



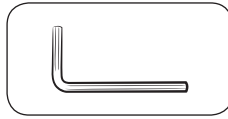
Flat-head screwdriver



Socket wrench  $\frac{3}{8}$ " (10 mm)

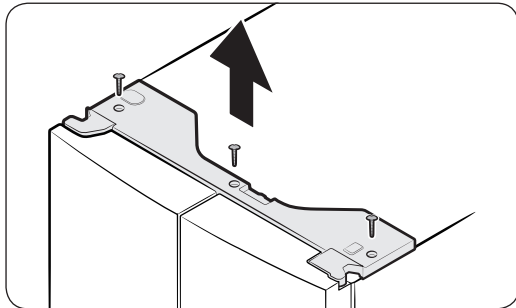


Pliers



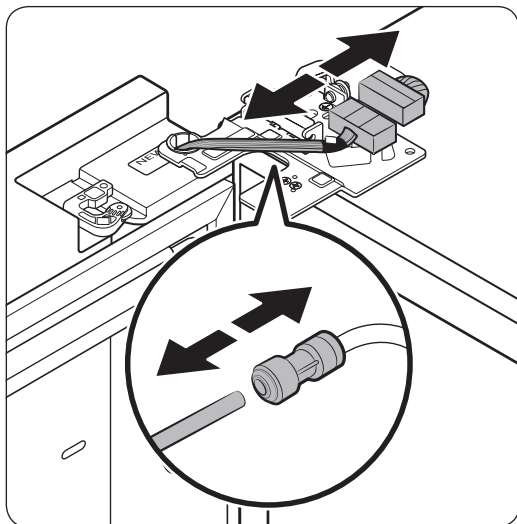
Allen wrench  $\frac{1}{4}$ " (5 mm)

Detach the fridge doors



1. With the doors closed, use a Phillips screwdriver to remove the screws (x3) from the top cover. Pull up and remove the top cover with the connectors.

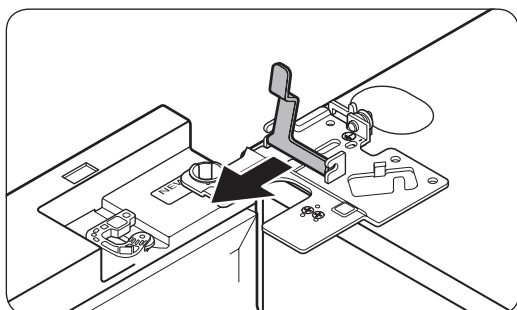
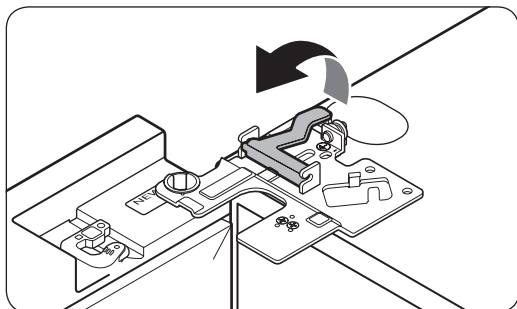




2. Disconnect the two wire connectors on the left door. The position of the connectors differs with the model.

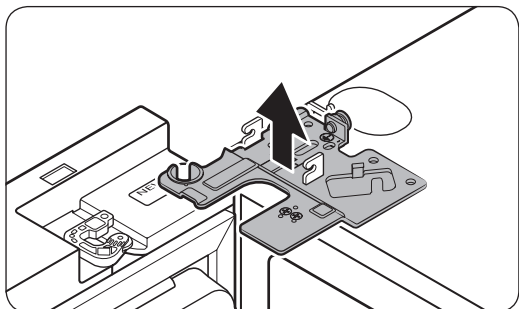
**⚠ CAUTION**

- Do not remove both doors simultaneously. Make sure to remove one door at a time. Otherwise, any of the doors may fall and cause physical injury.
  - Make sure the refrigerator is off before disconnecting the connectors.
3. Disconnect the water tube from the coupler on the left door as shown.
    - This step does not apply to the models without the AutoFill Pitcher and the water dispenser.
  4. Gently draw up the clamp in several steps. To prevent finger injuries, do not apply a sudden force to the clamp.

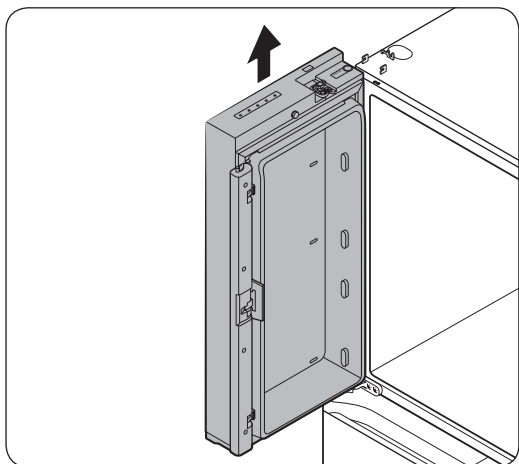


5. Pull up the clamp to remove.

# Installation



6. Open the door 90 degrees. While holding the door, pull up and remove the top hinge. Be careful not to damage the connector wires when you remove the hinge.

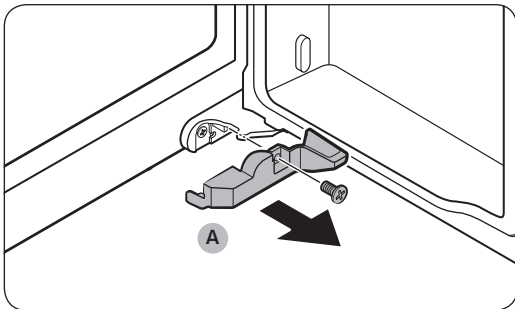


7. Gently pull up the door vertically to remove. Do not apply excessive force to the door. The door may fall, causing physical injury.
8. Lay the door down on a flat surface.
9. Repeat steps 1-8 for the other door, except for step 3. There is no water tube on the right side door.
  - Step 2 does not apply to the models without the Reveal door.

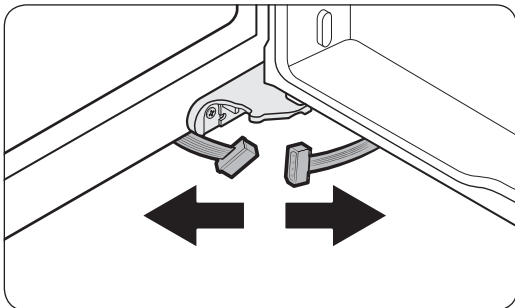
## Detach the freezer doors

### CAUTION

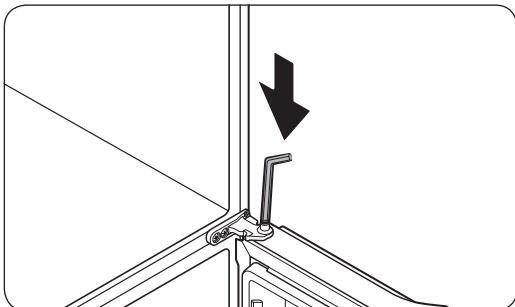
- Be sure to remove the fridge doors before removing the freezer doors.
- Use caution when disconnecting the bottom connectors.



1. Open the freezer door.
2. Use a Phillips screwdriver to remove the screw holding the **cover (A)**.
  - This step only applies to the right side freezer door (FlexZone door).

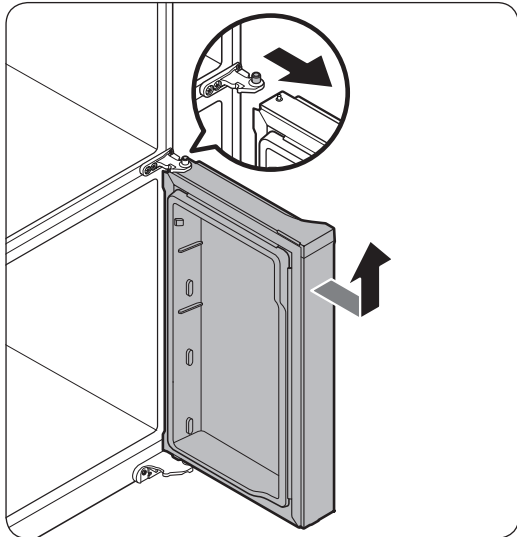


3. Disconnect the wire connectors.
  - This step only applies to the right side freezer door (FlexZone door).



4. Locate the hinge shaft. While holding the door with one hand, use a flat-head screwdriver or Allen wrench to press the shaft down. Make sure to hold the door to prevent the door from falling.

# Installation

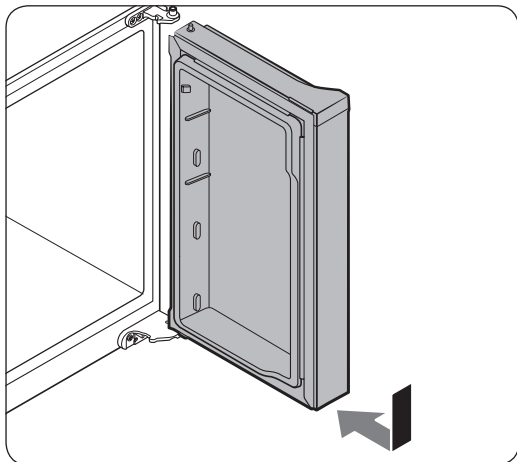


5. To prevent contact with the middle hinge, slightly tilt the door to the front, and then lift it up to remove.
6. Repeat steps 1-5 for the other door, except for steps 2 and 3.

To reattach the freezer doors

## ⚠ CAUTION

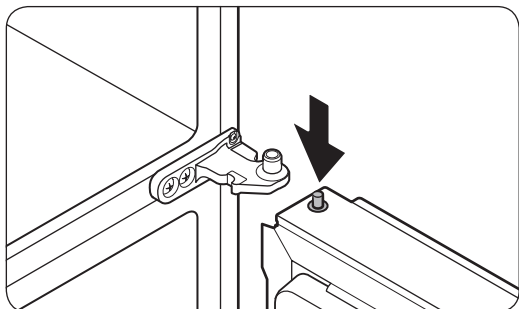
- The freezer doors must be re-attached before the fridge doors.
- Be careful not to damage or step on the wires during this process.



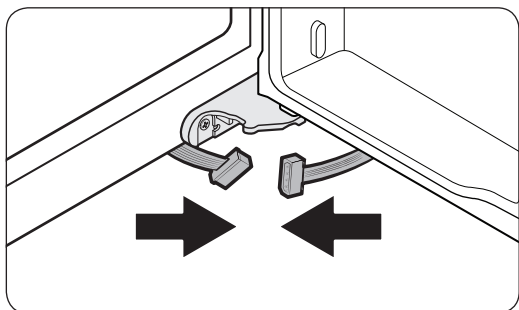
1. Insert the freezer door into the bottom hinge while pushing the freezer door in the direction of the arrow.

## ⚠ CAUTION

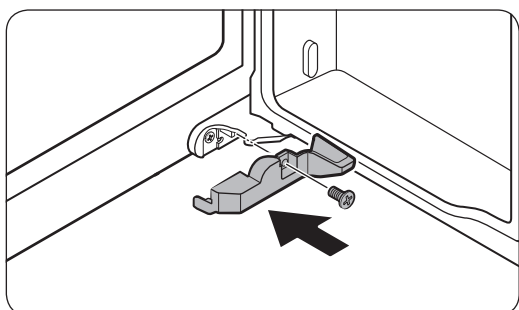
- Be careful not to damage or step on the wires during this process.



2. While pressing the hinge shaft down, position the door so that the hinge shaft is below the shaft hole in the middle hinge. Release the hinge shaft so that it enters the shaft hole.



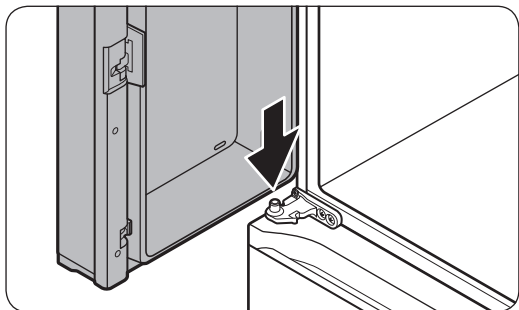
3. With the door open, connect the bottom connectors in the direction of the arrows.
  - This step only applies to the right side freezer door (FlexZone door).



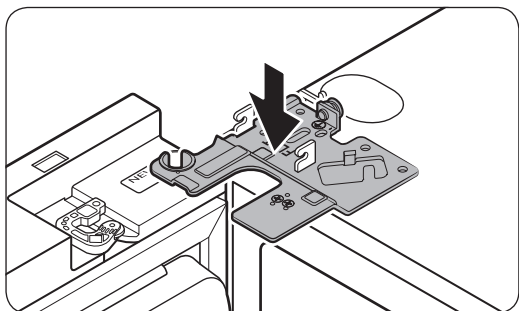
4. Attach the cover using a Phillips screwdriver. Be careful not to damage or step on the connectors.
  - This step only applies to the right side freezer door (FlexZone door).
5. Repeat steps 1-5 for the other door, except for steps 3 and 4.

# Installation

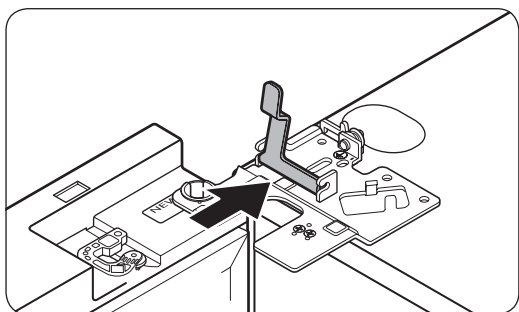
To reattach the fridge doors



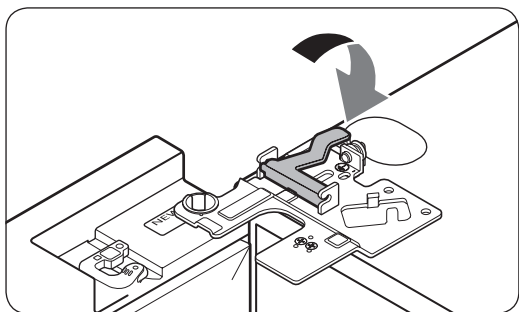
1. While holding the door open by more than 90 degrees, insert the shaft on the middle hinge into the hole on the bottom of the door.



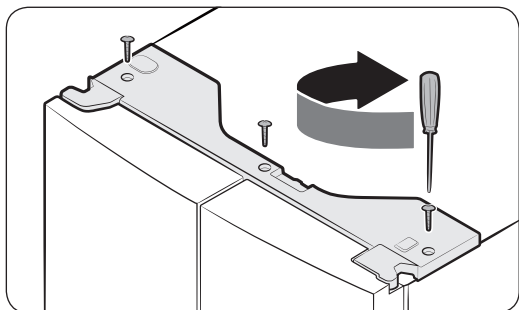
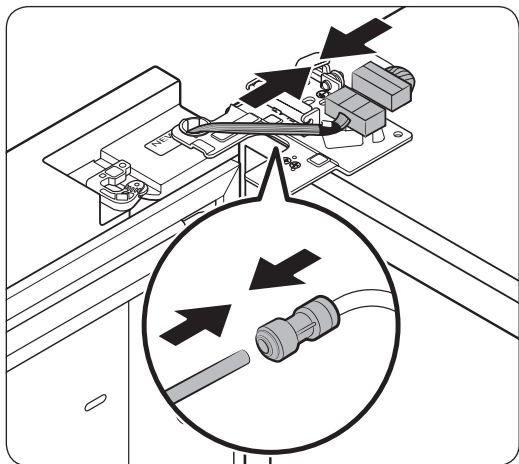
2. Put the top hinge into position on the top of the refrigerator, and then insert the hinge shaft into the top hole of the door. Make sure the wires from the door pass through the hole in the hinge shaft.



3. Insert the clamp in the direction of the arrow.



4. Push back the clamp as shown.



5. Connect the wire connectors.

**⚠ CAUTION**

- Make sure the wire connectors are connected properly. Otherwise, the display will not operate.

6. Connect the water tube.

- This step does not apply to the models without the AutoFill Pitcher and the water dispenser.

**⚠ CAUTION**

- To prevent water leaks, make sure the red clips tighten the coupler properly.
- Keep the clips out of children's reach.

7. Repeat steps 1-5 for the other door.

- Step 5 does not apply to the models without the Reveal door.

8. Attach the top cover with the front side first, and then press down on its back to get it into position. Then, tighten the screws (x3).

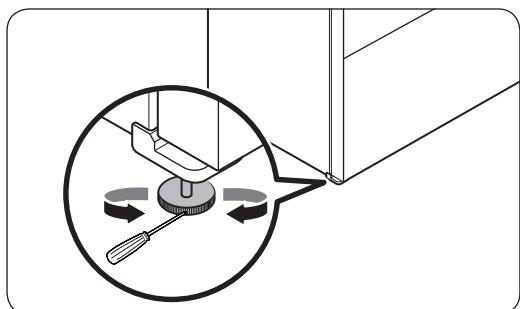
# Installation

## STEP 4 Leveling the refrigerator

### ⚠ CAUTION

- When installed, the refrigerator must be leveled on a flat, solid floor. Not leveling the refrigerator can cause damage to the refrigerator or physical injury.
- Leveling must be performed with the refrigerator empty. Make sure no food items are inside the refrigerator.
- For safety reasons, adjust the front a little higher than the rear.

Level the refrigerator using the special screws (levelers) on the front legs. Use a flat-head screwdriver to turn the levelers.

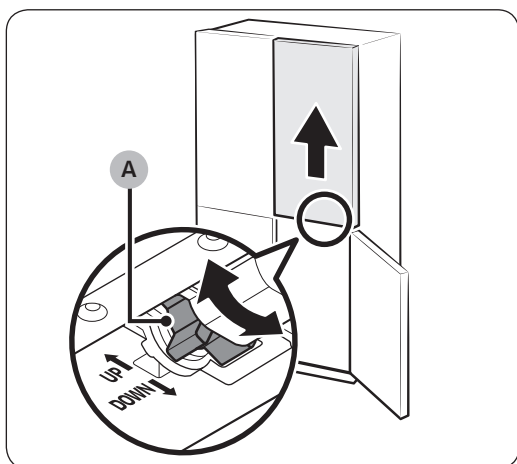
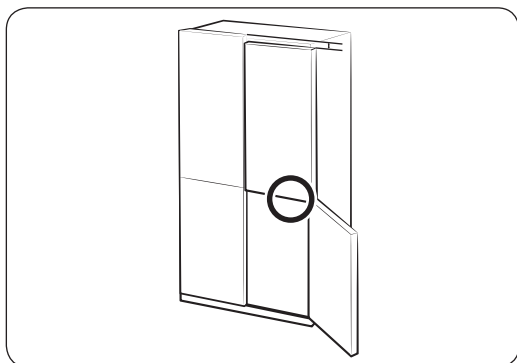


- To adjust the height of the left side: Insert a flat-head screwdriver into the leveler of the left side front leg. Turn the leveler clockwise to raise the left side or turn it counterclockwise to lower.
- To adjust the height of the right side: Insert a flat-head screwdriver into the leveler of the right side front leg. Turn the leveler clockwise to raise the right side or turn it counterclockwise to lower.



## STEP 5 Adjust the door height

Adjusting the height with the height lever (applicable models only)

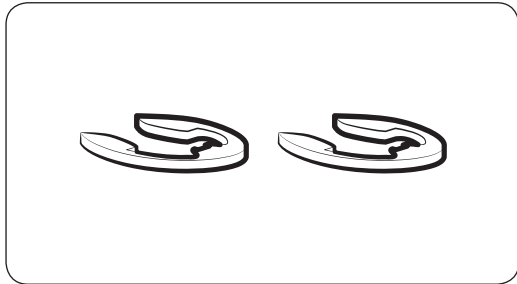


- Before aligning the door height, make sure the refrigerator is level. Use the leveling legs for this purpose.
- You can use the height lever at the bottom of the right-side door of the fridge. Open the right-side door of the freezer with both fridge doors closed and use the lever to adjust the door height.
- Turn the **height lever (A)** until the two doors are aligned at the top. Turn the lever toward **UP** (as marked) to raise the right-side door and turn it toward **DOWN** (as marked) to lower the door.
- Lift the fridge door slightly to make alignment easier. The maximum adjustable height is 3 mm.
  - The lever will not turn past the maximum limit. It may make a noise if it is turned too far.
  - Excessive height may interfere with the upper hinge cover of the fridge door.
- If you align the door height with the door bins empty and then store items in the bins, the heights may differ again. If this happens, follow the steps above to realign the doors.

# Installation

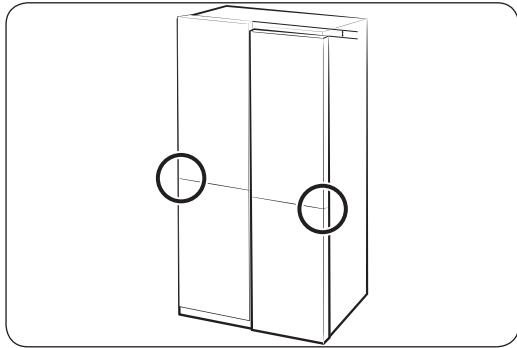
## Adjusting the height with the snap rings

For the models with the height lever on the right-side door of the fridge, use the snap rings only if you cannot align the doors with the height lever.

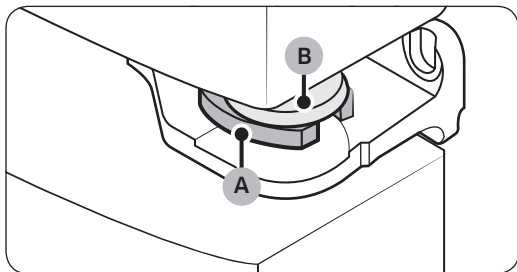


### NOTE

The height of a door can be adjusted using the provided snap rings, which come in 4 different sizes (1 mm, 1.5 mm, 2 mm, and 2.5 mm).



1. Check the height difference between the doors, and then lift up and hold the door with the lower height.



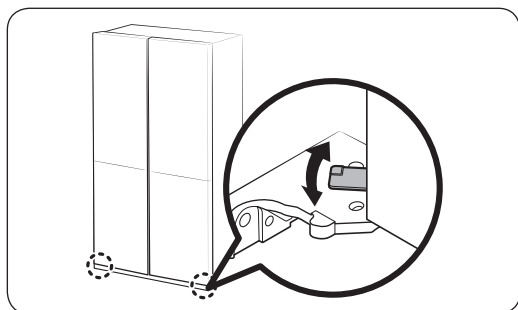
2. Insert a suitable-sized snap ring (A) between the door grommet (B) and the hinge as shown.

### CAUTION

- Insert only one snap ring. If you insert two or more snap rings, the rings may slip out or make a rubbing noise.
- Keep the snap rings out of children's reach and keep them for future use.
- Do not raise the door too much. The door can contact and damage the top cover.

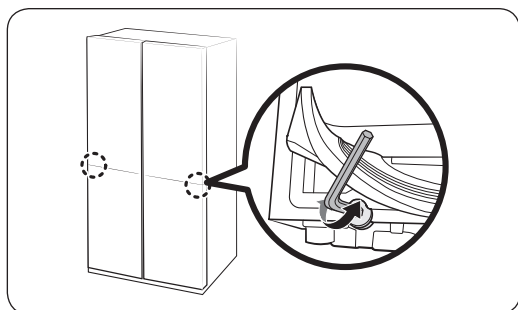


### Adjusting the freezer door height (applicable models only)



- Before aligning the door height, make sure the refrigerator is level. Use the leveling legs for this purpose.
- You can adjust the height of both freezer doors using the lever located at the bottom hinge.
- Open the door, lift it a little, and then turn the lever left or right to adjust the height.

### Adjusting the gap between the fridge doors and the main body of the refrigerator (applicable models only)



- You can adjust the gap between both fridge doors and the main body of the refrigerator using the adjustment bolt located at the bottom of the fridge compartment.
- Lift the door gasket and locate the adjustment bolt underneath the gasket. Use the 4 mm Allen wrench to adjust the gap.

#### **CAUTION**

Make sure you firmly attach the gasket. Otherwise, cold air from the refrigerator may leak.



# Installation

## STEP 6 Connect the water dispenser line

A water dispenser with a filter is one of the helpful features on your new refrigerator. To help promote better health, the water filter removes unwanted particles from your water. However, it does not sterilize or destroy microorganisms. You may need to purchase a water purifying system to do that.

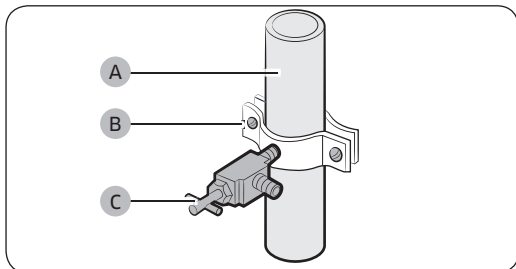
The water line also connects to the ice maker. For the ice maker to operate properly, water pressure must be between 20 and 125 psi (138 and 862 kPa).

If the refrigerator is installed in an area with low water pressure (below 20 psi / 138 kPa), you can install a booster pump to compensate for the low pressure.

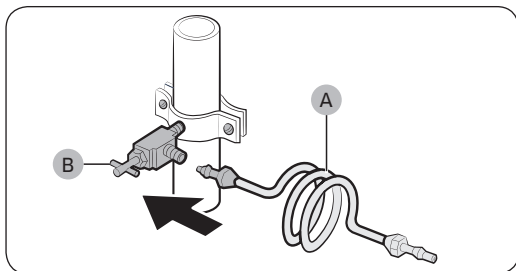
After you have connected the water line, check if the water dispenser works properly. Press the water dispenser lever until the water runs from the water outlet.

### NOTE

- Water line installation kits are available at extra cost from your retailer. We recommend using a water line installation kit that contains copper tubing and a 1/4" (6 mm) compression nut.



1. Shut off the main water source.
2. Insert the **pipe clamp (B)** and the **shutoff valve (C)** into the **cold water line (A)**.

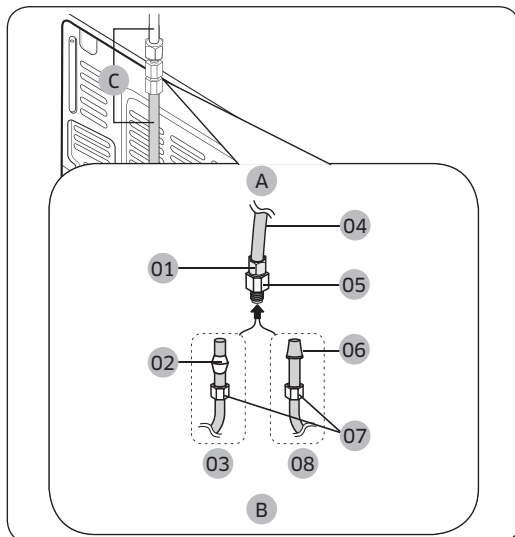


3. Connect the **water line installation kit (A)** to the **shutoff valve (B)**.

## Connect the water supply line to the refrigerator

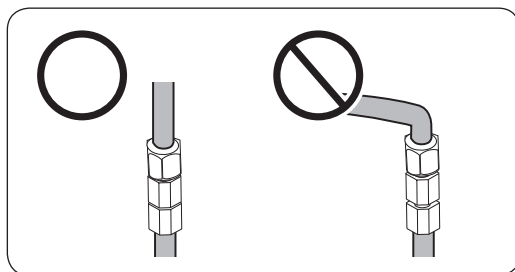
There are several items you must purchase to complete this connection. You may find these items sold as a kit at your local hardware store.

Copper Tubing	<ul style="list-style-type: none"> <li>• 1/4" copper tubing</li> <li>• 1/4" compression nut (1 pc)</li> <li>• Ferrule (2 pc)</li> </ul>
Plastic Tubing	<ul style="list-style-type: none"> <li>• 1/4" plastic tubing → Molded end (Bulb)</li> <li>• 1/4" compression nut (1 pc)</li> </ul>



- A. Refrigerator
- B. Household water supply line
- C. Water Line: must be kept straight.

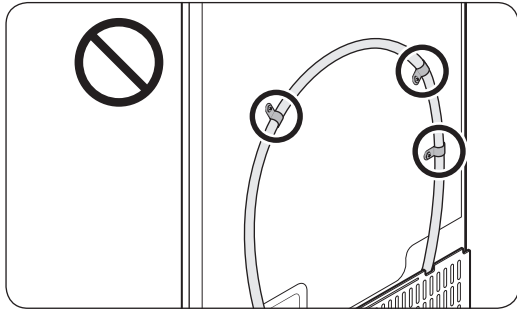
- 01 Compression Nut (1/4") (Assembled)
- 02 Ferrule (Not supplied)
- 03 Copper tubing (Not supplied)
- 04 Plastic Tubing (Assembled)
- 05 Compression Fitting (Assembled)
- 06 Molded end (Bulb)
- 07 Compression nut (B) (1/4") (Not supplied)
- 08 Plastic Tubing (A) (Not supplied)



### NOTE

If you have to relocate the refrigerator after connecting the **water line (C)**, make sure the joined section of the water line is straight.

# Installation



## ⚠ CAUTION

Do not mount the water filter on any part of the refrigerator. This may damage the refrigerator.

1. Connect the household water line to the assembled compression fitting.
  - If you are using copper tubing, slip the **compression nut (B)** (not supplied) and **ferrule** (not supplied) on the copper tubing (not supplied) as shown.
  - If you are using **plastic tubing (A)**, insert the molded end (Bulb) of the **plastic tubing (A)** into the compression fitting.

## ⚠ CAUTION

- If you use **plastic tubing (A)**, do not use it without the molded end (Bulb).
  - Leaving the water line disconnected may cause the water valve to produce a buzzing sound over time. If this is the case, make sure that the ice making function is turned "OFF" and do not attempt to use the water dispenser.
2. Tighten the **compression nut (B)** onto the **compression fitting**. Do not over-tighten the **compression nut (B)**.
  3. Turn the water on and check for any leakage. If you find water drops or leakage in the connection areas, turn off the main water supply. Check the connections and, if necessary, tighten.
  4. Flush 3 gallons of water through the filter before drinking or using the water from the refrigerator. (Flush approximately 5-6 minutes.) To flush, press a large glass or cup against the water dispenser lever. Fill the glass, empty it, and then repeat.
  5. After you turn on the refrigerator, let the ice maker make ice for 1 to 2 days. Over that period of time, throw out the first 1 or 2 buckets of ice the ice maker makes to ensure all impurities have been removed from the water line.

## 📄 NOTE

Only connect the water line to a potable water source.

- If you have to repair or disassemble the water line, cut off  $\frac{1}{4}$ " of the plastic tubing to make sure you get a snug, leak-free connection.
- You can test the water line quickly using a paper cup. Under normal conditions, the water dispenser can fill a  $5\frac{3}{4}$  oz. (170 cc) cup in about 10 seconds.

---

## STEP 7 Initial settings

---

By completing the following steps, the refrigerator should be fully functioning.

1. Plug the power cord into the wall socket to turn the refrigerator on.
2. Open the door, and check if the interior light lights up.
3. Set the temperature to the coldest setting, and wait for about an hour. Then, the freezer will be slightly chilled, and the motor should be running smoothly.
4. Wait until the refrigerator reaches the set temperature. Now the refrigerator is ready for use.

## STEP 8 Final check

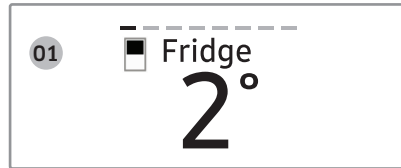
---

When installation is complete, confirm that:

- The refrigerator is plugged into an electrical outlet and grounded properly.
- The refrigerator is installed on a flat, level surface with a reasonable clearance from walls and cabinets.
- The refrigerator is level and is sitting firmly on the floor.
- The door opens and closes freely, and the interior light turns on automatically when you open the door.

# Operations

## Control panel



<b>01</b> Display	Displays the menu, settings, and other information.
<b>02</b> Buttons	<ul style="list-style-type: none"><li>• When the display is off, tap any button to wake up the display.</li><li>• Tap &lt; or &gt; to navigate left and right.</li><li>• Tap ○ to confirm your selection.</li><li>• Tap and hold ○ to enter the AP mode. (For more information, see the “SmartThings &gt; Getting started” section on page 46.)</li></ul>

### NOTE

- The control panel is designed to stay off when the refrigerator is not in use. It only becomes active and lights up when you open the door or tap the buttons.
- If the door is left open for 5 minutes, the internal light will blink for 5 minutes and turn off. It is to alert deaf and hard of hearing users that a door is open. Note that this function is normal.
- When you change the temperature on the panel, the panel displays the actual temperature inside the refrigerator until the temperature matches the temperature you set. Then, the panel displays the new set temperature. Note that it will take time for the refrigerator to reach the new temperature. It is normal. During this time, you need not set the temperature again.

### Using the control panel



1. Tap any button (<, ○, or >) to wake up the display.
2. Tap < or > to select the desired menu, and then tap ○ to confirm.
3. Tap < or > to select the desired setting, and then tap ○ to confirm.
  - For more information on available settings, see the **Menu descriptions** section.



## Menu descriptions

Fridge	<ul style="list-style-type: none"> <li>You can set the fridge temperature from 34 ~ 44 °F (1~7 °C) or set the Power Cool function.</li> <li>Power Cool speeds up the cooling process at maximum fan speed. The fridge keeps running at full speed for two and a half hours and then returns to the previous temperature.</li> </ul>
Freezer	<ul style="list-style-type: none"> <li>You can set the freezer temperature from -8 ~ 5 °F (-23 ~ -15 °C) or set the Power Freeze function.</li> <li>Power Freeze speeds up the freezing process at maximum fan speed. The freezer keeps running at full speed for 50 hours and then returns to the previous temperature. To freeze large amounts of food, activate Power Freeze for at least 20 hours before putting food in the freezer.</li> </ul>
FlexZone	<ul style="list-style-type: none"> <li>You can set the FlexZone mode from one of the following modes. <ul style="list-style-type: none"> <li>- <b>Freeze:</b> The temperature sets to the same temperature as the freezer.</li> <li>- <b>Soft Freeze:</b> The temperature sets to 23 °F (-5 °C).</li> <li>- <b>Meat/Fish:</b> The temperature sets to 30 °F (-1 °C).</li> <li>- <b>Fruit/Veggies:</b> The temperature sets to 36 °F (2 °C).</li> <li>- <b>Beverage:</b> The temperature sets to 39 °F (4 °C).</li> </ul> </li> </ul> <p><b>⚠ CAUTION</b></p> <ul style="list-style-type: none"> <li>Select the FlexZone mode accordingly to the type of food you store in there.</li> <li>Do not store meat or food in the FlexZone with the Fruit/Veggies or Wine mode. Meat or food may spoil.</li> <li>Do not store glass bottles in the FlexZone in Freeze or Soft Freeze mode. They may break and cause physical injury.</li> </ul>

# Operations

Flex Crisper *	<ul style="list-style-type: none"> <li>You can set the Flex Crisper mode from one of the following modes.             <ul style="list-style-type: none"> <li>- <b>Fridge:</b> The temperature sets to the same temperature as the fridge.</li> <li>- <b>Meat/Fish:</b> Select this mode to store meat and fish fresh. (We recommend setting the fridge temperature below 37 °F (3 °C) to store meat and fish fresher in the Flex Crisper)</li> </ul> </li> </ul> <p> <b>NOTE</b> Most meat and fish can be stored in the Flex Crisper for 3 to 5 days (with some exceptions for certain types). Store them in the freezer if you want to keep it longer than 5 days.</p>
AutoFill Pitcher *	<ul style="list-style-type: none"> <li>You can set the AutoFill Pitcher mode from one of the following modes.             <ul style="list-style-type: none"> <li>- <b>On:</b> Set to fill your water pitcher automatically.</li> <li>- <b>Off:</b> Set to turn off the function.</li> </ul> </li> </ul> <p> <b>NOTE</b> You can put tea or fruit into the infuser to make infused tea or water. If you want to keep the infused water in its initial concentration, turn the AutoFill Pitcher function off. (For more information, see the <b>Water pitcher (AutoFill Pitcher) (applicable models only)</b> section on page 52.)</p>
Cubed Ice * (Ice Maker *)	You can start or stop making cubed ice.
Ice Bites *	You can start or stop making ice bites.

## More Options

You can change the settings for the following functions. Tap < or > to select the menu, and then tap O to confirm.

**UV Deodorizing Filter \***: You can turn the UV Deodorizing Filter on or off.

**Peak Demand \***: You can turn the Peak Demand function on or off. (For more information on Peak Demand function, see the **SMART GRID Function (Demand Response) (Applicable models only)** section on page 48.)

**Filter Reset \***: When you get the filter replacement message on the display, select this menu, and replace the filter according to onscreen instructions.

**Temp. Unit**: You can set the temperature scale to Celsius or Fahrenheit.

**Door Alarm**: You can turn on or off the Door Alarm.

**Wi-Fi Connect**: You can turn on or off the Wi-Fi Connect. Turn it on to control and monitor your refrigerator on the SmartThings app. (For more information on SmartThings, see the **SmartThings** section on page 45.)

\* applicable models only

### NOTE

Using Power Cool or Power Freeze increases power consumption.

# Operations

---

## Activating or deactivating the Sabbath mode

The Sabbath mode stays active for 85 hours once it is activated. After that, it will be deactivated automatically.

- To activate or deactivate the Sabbath mode, tap and hold **O** and **>** simultaneously for 6 seconds. Then, tap **>**.
  - When the refrigerator is in the Sabbath mode, the buttons, display, and internal lights do not function. The refrigerator and freezer, however, continue to cool.

### NOTE

If the refrigerator powers off and restarts (for example, if there is a power failure), the Sabbath mode remains active. To end Sabbath mode, you must deactivate it as instructed above.

## Activating or deactivating the Cooling Off mode

The Cooling Off mode (also called the Shop mode) is designed for retailers to display refrigerators on a retail floor. In the Cooling Off mode, the refrigerator's fan motor and lights operate normally, but the compressors do not run, so neither the refrigerator nor the freezer becomes cold.

- To activate or deactivate the Cooling Off mode, tap and hold **<** and **>** simultaneously for 6 seconds. Then, tap **O**.
  - When the Cooling Off mode is on, the refrigerator chime sounds, and the refrigerator shows the "Cooling Off mode turned on" message.

---

## SmartThings

---

### Installation

Visit the Google Play Store, Galaxy Apps, or Apple App Store and search for “SmartThings”. Download and install the SmartThings app provided by Samsung Electronics to your smart device.

#### NOTE

- The SmartThings app is not available for some tablet and iPad and some smartphone.
  - Support that [Android] OS 6.0 or higher. (minimum 2 GB RAM Size)
  - Support that [iOS] 10.0 or higher/iPhone 6 or higher.
- For improved performance, the SmartThings app is subject to change without notice or discontinued support according to the manufacturer’s policy. In addition, further updates on the app or the function in the app may stop due to usability and security reasons, even if updates are currently supported on your OS.
- Recommended encryption systems include WPA/TKIP and WPA2/AES. Any newer or non-standard Wi-Fi authentication protocols are not supported.
- Wireless networks may be affected by the surrounding wireless communication environment.
- If your Internet service provider has registered the MAC address of your PC or modem for identification, your Dacor Smart Refrigerator may fail to connect to the Internet. If this happens, contact your Internet service provider for technical assistance.
- The firewall settings of your network system may prevent your Dacor Smart Refrigerator from accessing the Internet. Contact your Internet service provider for technical assistance. If this symptom continues, contact a local Dacor service center or retailer.
- To configure the wireless access point (AP) settings, see the user manual of the AP (router).
- Dacor Smart Refrigerators support both Wi-Fi 2.4 GHz with IEEE 802.11 b/g/n and Soft-AP protocols. (IEEE 802.11 n is recommended.)
- Unauthorized Wi-Fi wireless routers may fail to connect to applicable Dacor Smart Refrigerators.

# Operations

---

## Samsung account

You are required to register your Samsung account to use the app. If you don't have a Samsung account, follow the app's onscreen instructions to create a free Samsung account.

## Getting started

Turn on the device you want to connect, open the SmartThings app on your phone, and then follow the instructions below.

If a pop-up appears saying that a new device has been found, tap **ADD NOW**.

If a pop-up doesn't appear, tap the **+** button, and then select the device you want to connect from the list of available devices.

If your device isn't in the list of available devices, tap **Supported Devices**, select the device type (Refrigerator), and then select the specific device model.

Follow the instructions in the app to set up your device. Once setup is complete, your refrigerator will appear as a "card" on your **Devices** screen.

## Refrigerator app

### Integrated control

You can monitor and control your refrigerator at home and on the go.

- Tap the refrigerator icon on the SmartThings Dashboard or tap the Devices icon at the bottom of the Dashboard, and then tap the refrigerator "card" to open the Refrigerator page.
- Check the operation status or notifications related to your refrigerator, and then change options or settings if necessary.

### **NOTE**

Some options or settings of the refrigerator may not be available for remote control.

Category	Item	Description
Monitor & Control	Fridge Temperature	You can set and monitor the desired temperature of the fridge.
	Freezer Temperature	You can set and monitor the desired temperature of the freezer.
	Power Cool	You can turn Power Cool on or off, and check the current settings.
	Power Freeze	You can turn Power Freeze on or off, and check the current settings.
	Flex Crisper	You can set and monitor the desired mode of the Flex Crisper.
	FlexZone	You can set and monitor the desired mode of the FlexZone.
	Cubed Ice / Ice Bites	You can turn the ice making function on or off, and check the current settings of the function.
	AutoFill Pitcher	You can turn the AutoFill Pitcher function on or off, and check the current settings of the function.
Alarms	Abnormally high temperature	This alarm is triggered when the fridge, the freezer, or the FlexZone has abnormally high temperatures.
	Door opening	This alarm is triggered if the fridge door, the freezer drawer, or the FlexZone drawer is open for a specific time.
	Autofill Pitcher overflowing	If the Autofill Pitcher function senses an overflow, it triggers this alarm to let you know the status of the overflow.
	Water filter replacement	This alarm reminds you that the water filter must be replaced.

# Operations

## SMART GRID Function (Demand Response) (Applicable models only)

When the refrigerator operates in SMART GRID (Demand Response) mode, the Energy Management Refrigerator function can control energy usage or delay the operation of some functions to save money when energy prices or demand are the highest.

### NOTE

- You can deactivate the SMART GRID (Demand Response) function at any time using the Peak Demand Off function.
- To use the SMART GRID (Demand Response) function, you need a separate contract with your electric utility company.

In addition, to use the Smart Grid (Demand Response) function, you must register for the service with your electric company. The company must have an EMS (Energy Management System) that supports SEP (Smart Energy profile).

### Using the SMART GRID (Demand Response) Function

This feature monitors energy prices and demand information from your utility company and sends notifications to the refrigerator to run high energy consuming tasks during off-peak times when electricity costs and demand are lower.

If the refrigerator receives a control signal from the utility company, the refrigerator will display the **DAL** ~ **TALR** levels on the refrigerator display and control the power consumption according to the level.

[Exception condition] The **DAL** and **TALR** control signals from a utility company work as long as product performance is maintained.

If the refrigerator receives the SMART GRID (Demand Response) signal (**DAL** or **TALR**), the refrigerator will operate in Delay Appliance Load (DAL) or Temporary Appliance Load Reduction (TALR) mode.

- Delay Appliance Load (DAL): The refrigerator responds to a **DAL** signal by providing a moderate load reduction for the duration of the delay period. This function controls functions that consume a lot of energy such as adjusting the Cooling system, running the defrost cycle, and making ice.
  - When the refrigerator operates in **DAL** mode, "DAL" is displayed on the refrigerator display.
  - **DAL** mode is automatically deactivated after it lasts for the amount of time stipulated by the **DAL** signal (max. 4.5 hours) or when you turn off the Peak Demand function.



- 
- Temporary Appliance Load Reduction (TALR): The refrigerator responds to a **TALR** signal by aggressively reducing the load for a short time period. This function reduces energy consumption by stopping the compressor and controlling the functions that consume a lot of energy such as the defrost cycle and making ice.
    - When the refrigerator operates in **TALR** mode, "TALR" is displayed on the refrigerator display.
    - **TALR** mode is automatically deactivated after it lasts for the received duration (max. 15 minutes), or when you turn off the Peak Demand function. The mode is immediately deactivated and the refrigerator returns to the normal state when the door is opened or closed, or the dispenser is used.

### Peak Demand Off

When you want the refrigerator to ignore the SMART GRID (Demand Response) signal from the utility company, you can turn off the Peak Demand function.

When you turn off the Peak Demand function, the refrigerator ignores the SMART GRID (Demand Response) signal and is not controlled by the utility company.

### Turning on or off the Peak Demand function

1. Tap any button ( < , ○, or > ) to wake up the display.
2. Tap < or > to select **More Options**, and the tap ○ to confirm.
3. Tap < or > to select **Peak Demand**, and then tap ○ to confirm.
4. Tap < or > to select **On** or **Off**, and then tap ○ to confirm.

# Operations

---

## Using the Energy Management Function

The Energy Management function enables you to control and monitor your Energy Management refrigerator using the SmartThings app for your convenience.

### NOTE

- To use the Energy Management refrigerator functions, you have to install the corresponding app first.
  1. Operational Status
    - You can check the DR and Peak Demand status.
  2. Energy Consumption Reporting
    - Shows the accumulated power consumption. Power consumption data is updated every 10 minutes.

### NOTE

The energy consumption report may differ from the power consumption specifications of the product depending on the operating environment and the stored food.

### 3. Delay Defrost Capability

- The Delay Defrost Capability function saves energy by delaying the defrost operation to a time specified by the user. You can configure the time, and this function will save energy during the specified period in a 24 hour cycle. If the time is not set, the function works with the default time settings. The default time settings are below:
  - 6 am to 10 am: 1st. November ~ 30th. April
  - 3 pm to 7 pm: 1st. May ~ 31th. October

### To change the time setting for the Delay Defrost Capability

You can change the time setting for the Delay Defrost Capability on the app.

---

## Provision for Open Access to the Connected Product Requirements

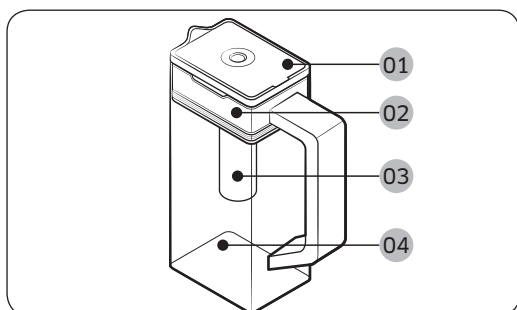
1. SGIP Open Standards (Smart Energy Profile 2.0 - <http://www.csep.org/>)
  - Energy Consumption Reporting
  - Demand Response
2. Samsung OPEN API
  - Operational Status, User Settings & Messages
  - ICE Maker Status: GET /icemaker/status/vs/0
  - Door Open Alarm: GET /doors/vs/0
  - DR Status: GET /drlc/vs/0
  - Delay Defrost Capability
  - Set Schedule of the Defrost Delay: POST /defrost/reservation/vs/0?op=add
  - Get Schedule of the Defrost Delay : GET /defrost/reservation/vs/0
  - Delete Schedule of the Defrost Delay: POST /defrost/reservation/vs/0?op=remove
  - Defrost Delay On/OFF: POST /defrost/delay/vs/0

# Operations

## Special features

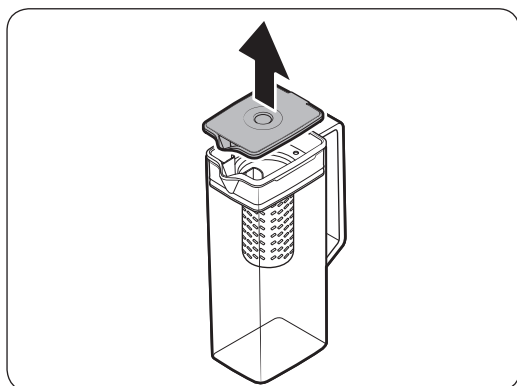
### Water pitcher (AutoFill Pitcher) (applicable models only)

Cold, purified water is always ready in the AutoFill Pitcher. You can put tea or fruits in the infuser to enjoy the various infused water you like.



- 01 Lid
- 02 Infuser holder
- 03 Infuser
- 04 Body

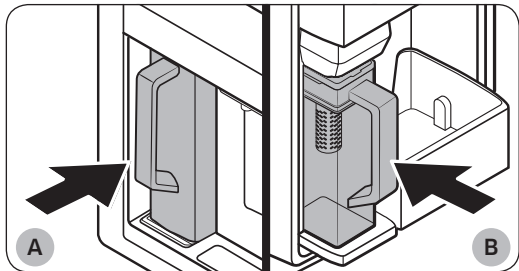
### To fill the Water pitcher



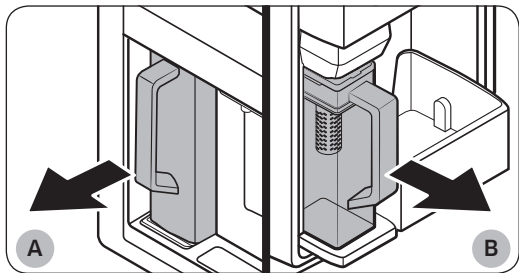
1. Grasp a handle groove of the lid, and then pull up to open the lid.
2. Put tea leaves or fruit to your taste into the infuser.

#### NOTE

If you want to keep the infused water in its initial concentration, turn the AutoFill Pitcher function off.



- A. Type A models
- B. Type B models



- A. Type A models
- B. Type B models

3. Enable the AutoFill Pitcher function on the control panel. Open the Beverage Center door (Type A) or the left door of the fridge (Type B), and then mount the water pitcher onto the holder. Push it straight in as shown in the figure.

**! CAUTION**

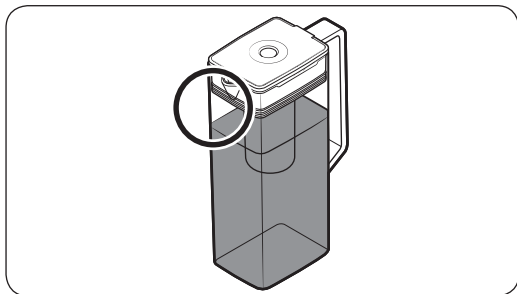
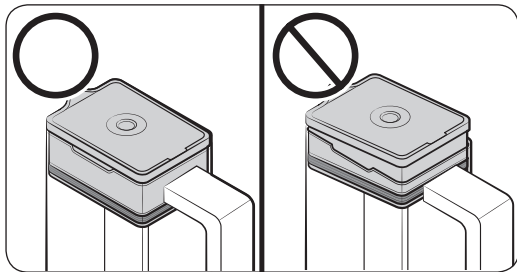
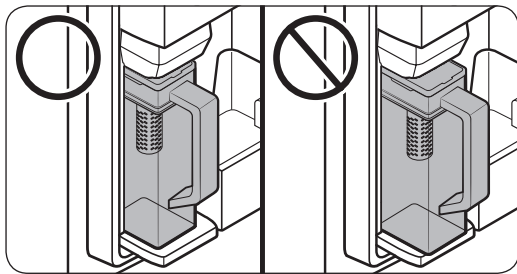
Make sure the water pitcher fits in the water pitcher holder.

4. Close the door. The water pitcher will start to fill with chilled water a short time later.
5. To drink tea, open the Beverage Center door (Type A) or the left door of the fridge (Type B), and then detach the water pitcher. Pull it straight out.

# Operations

## ⚠ CAUTION

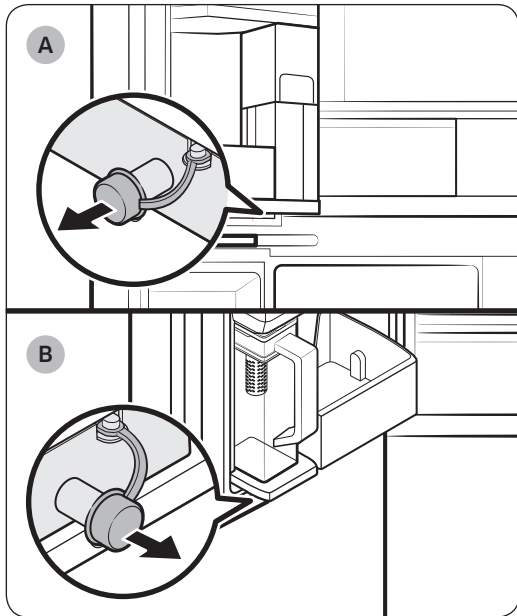
- We recommend consuming fruit infused water within 24 hours. After that, the infused water can spoil over time.
- You must clean the water pitcher after you have consumed the infused water. Also clean the water pitcher if you haven't used it for a long time.



- To prevent the water pitcher from tipping over or leaking, make sure the water pitcher fits in the water pitcher holder.
- To prevent the water pitcher from spilling over or leaking, make sure the infuser holder is properly inserted.

## 📄 NOTE

- If the front side (specifically marked area) of the water pitcher has too much moisture, the water pitcher may not fully fill. Remove the moisture, and then try again.
- AutoFill Pitcher function will stop supplying water to the water pitcher if the water pitcher does not fill after a certain amount of time. If this happens, check if the water line is properly connected. Remove and reinsert the water pitcher, and then try again.



A. Type A models

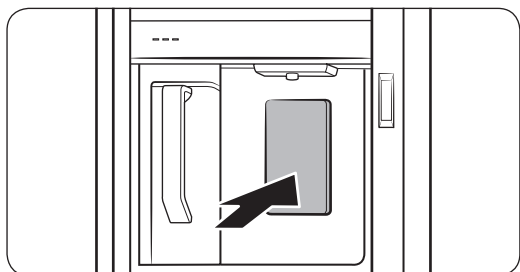
B. Type B models

**NOTE**

- Wipe around the water pitcher holder if the water pitcher overflows or leaks.
- Water drops off if the rubber cap is opened.
- An alert message appears on the control panel if there is a leak. In case of a leak, open the rubber cap so that the leaked water drains. If the alert message does not disappear after draining, there might be a system failure. Contact your local Dacor service center.

# Operations

## Water dispenser (applicable models only)



To dispense chilled water, open the Beverage Center and press the dispenser lever.

### NOTE

- The dispenser will stop dispensing if you keep pushing the dispenser lever for about 1 minute. To dispense more water, release and push the lever again.
- Make sure the glass is in line with the dispenser to prevent the dispensed water from spilling out.
- If you do not use the water dispenser for 2-3 days, the dispensed water may have an abnormal smell or taste. This is not a system failure. Discard the first 1-2 glasses of water.

### Water clouding

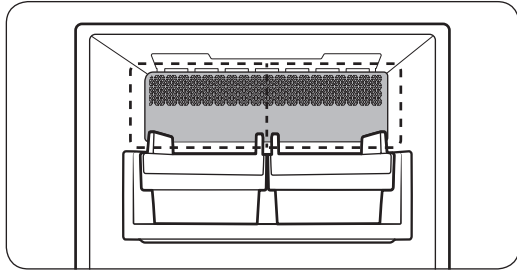
Water supplied to the refrigerator flows through a core alkaline filter. During this filtering process, the water pressure of the water increases and the water becomes saturated with oxygen and nitrogen. This causes the water to look misty or cloudy temporarily when dispensed. This is normal and the water will look clear after a few seconds.



## Ice maker

The refrigerator has a built-in ice maker that automatically dispenses ice.

- The overall design and/or accessories may differ with the model.



- This product has two types of ice makers.

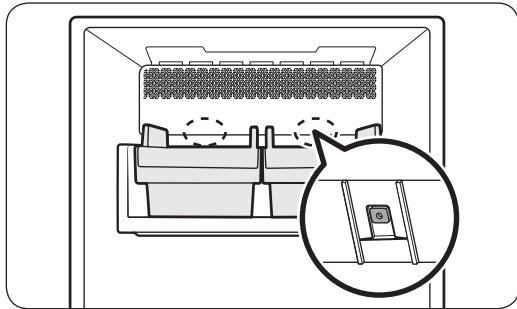
## Ice making

After you have installed your refrigerator and plugged it in, follow these instructions to ensure proper ice making and to keep the ice bucket full of ice.

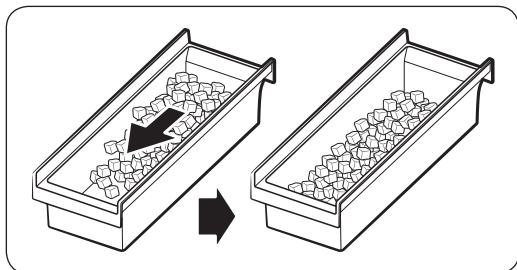
### For first-time use

- Let the ice maker make ice for 1-2 days.
- Discard the first 1-2 buckets of ice to remove impurities in the water supply system.

## Diagnosis



- The overall design and/or accessories may differ with the model.
- If ice does not dispense, first check the status of ice maker using the **Test** button on the bottom of the ice maker.
- Press the **Test** button on the bottom of the ice maker. You will hear a chime (ding-dong) when you press the button. You will hear another chime if the ice maker is operating properly.
- Ice accumulating on one side of the tray is normal. Arrange the ice evenly in the tray to store more ice.



# Operations

---

## CAUTION

- Leaving the water line disconnected may cause the water valve to produce a buzzing sound over time. If this is the case, make sure to turn the ice making function (Cubed Ice / Ice Bites ) off.
- If the ice making chime rings repeatedly, contact the waterline installer or a local Dacor service center.
- Do not put food in the ice bucket. The frozen food may damage the ice maker, especially when you open or close the door.
- When the refrigerator recovers power after a power failure, the ice bucket may contain a mix of melted and jammed ice cubes, which can prevent the ice maker from working properly. To prevent this, make sure to empty the ice bucket before using the refrigerator.
- Do not put fingers or any objects into the ice maker. This can cause physical injury or property damage.
- Due to sublimation, ice stored in the freezer for a long time gets smaller and then forms large ice chunks. Therefore, if it will be a long time before you use ice, turn the ice maker off as follows.
- Use the new hose-sets supplied with the appliance only. Do not re-use an old hose set.

# Maintenance

---

## Handling and care

---

### Ice bucket (applicable models only)

If you do not dispense ice for an extended period, ice may form clumps inside the bucket. If this happens, remove and empty the ice bucket.

#### CAUTION

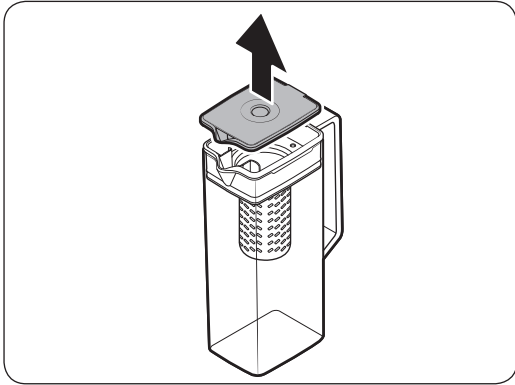
- To prevent injury, make sure to clean up any ice or water that has fallen on the floor.
- To prevent accidents or injury, do not let children play with the water dispenser or the ice maker.
- Use only the provided ice bucket. Third-party ice buckets may cause a system failure.

#### NOTE

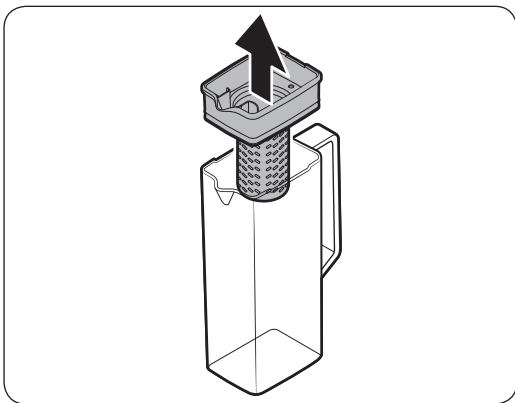
- The water pressure required for ice making is between 20 psi and 125 psi (138 and 862 kPa).
- Noise from the ice maker as it produces ice during the ice making process is normal.

# Maintenance

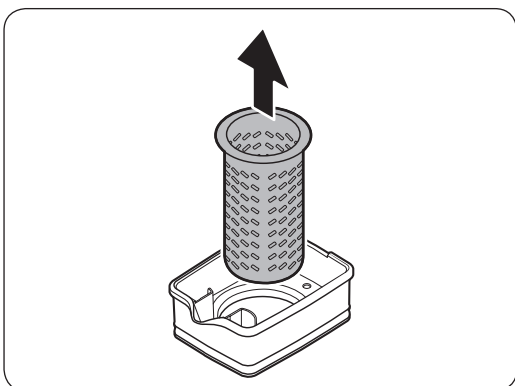
## AutoFill Pitcher (applicable models only)



1. Grasp a handle groove of the lid, and then pull up to remove.



2. Grasp both sides of the infuser holder, and then lift to remove.



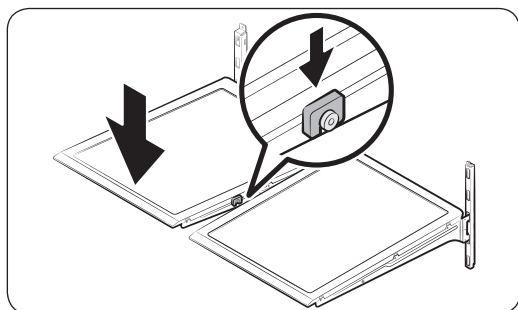
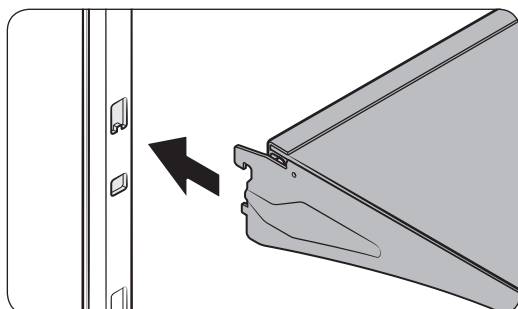
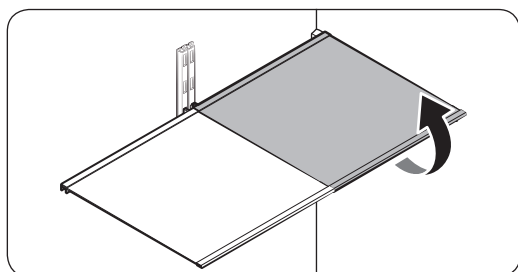
3. While slightly twisting the infuser, pull it out of the sealed mouth.
4. Clean the infuser with neutral agents and running water. Rinse and dry well.
5. Reassemble the AutoFill Pitcher in the reverse order of disassembly.

### CAUTION

The water pitcher and lid are not microwave safe and can melt or deform if exposed to heat (including hot water). Please hand wash in cool or warm water as needed.

## Fridge shelves

The appearance of the shelves differs by model.



- To remove a shelf, fully open the corresponding door. Hold the front of the shelf, and then gently lift up and pull out.

### **NOTE**

Do not lift up the shelf fully when removing or reinserting the shelf. The rear wall of the fridge room can be dented.

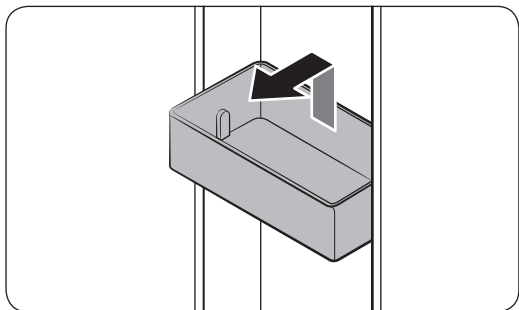
- To reinsert, hold the shelf at an angle so the front is higher than the back, and then insert the top hook into the top shelf notch. Then, lower the shelf and insert the bottom shelf hook into the bottom shelf notch.

### **CAUTION**

- The tempered glass shelves are heavy. Use caution when removing them.
- The shelf must be inserted correctly. Do not insert upside down.
- Glass containers may scratch the surface of glass shelves.

# Maintenance

## Door bins



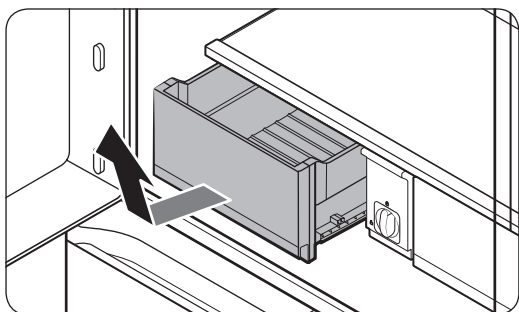
- To remove the **door bin**, hold the front sides of the bin, and then gently lift up to remove.
- To reinsert, insert the **door bin** slightly above its final location making sure that the back of the bin is against the door. Hold the rear of the **door bin** with both hands, and then press down so that it fits snugly.

### **CAUTION**

- Do not remove a bin that is filled with food. Empty the bin beforehand.
- Use caution when opening the door if the bottom bin contains larger bottles, which may fall over.
- Do not allow children to play with the bins. Sharp corners of the bin may cause injury.

## Fridge drawers

Crisper+ / Flex Crisper



Gently lift up the front of the drawer and slide out.

- We recommend that you remove the door bins before removing the drawer. This is to prevent damage to the door bins.
- To reinsert, insert the drawer into the frame rails and then slide inward.

---

## Cleaning

---

### Interior and exterior

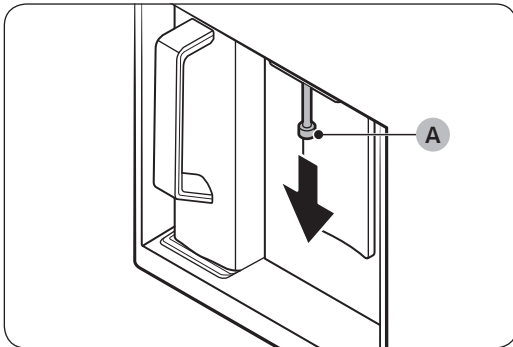
#### **WARNING**

- Do not use benzene, thinner, home/car detergent, or Clorox™ to clean the refrigerator. They may damage the surface of the refrigerator and cause a fire.
- Do not spray water onto the refrigerator. This may cause electric shock.

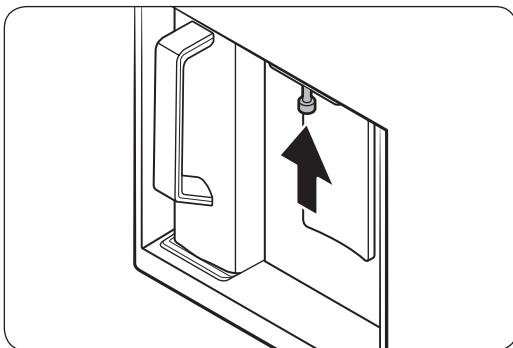
Regularly use a dry cloth to remove all foreign substances such as dust or water from the power plug terminals and contact points.

1. Unplug the power cord.
2. Use a moistened, soft, lint-free cloth or paper towel to clean the refrigerator's interior and exterior.
3. When done, use a dry cloth or paper towel to dry well.
4. Plug in the power cord.

### Dispenser valve (applicable models only)



1. Hold the end of the dispenser valve (A).
2. While turning the dispenser valve (A) left, pull it down to remove it from the dispenser.



3. Clean the dispenser valve thoroughly, and then assemble it back.

#### **CAUTION**

- Fully insert the dispenser valve, so it is back to its original position.
- Do not use a sponge with rough textures for cleaning the dispenser valve.

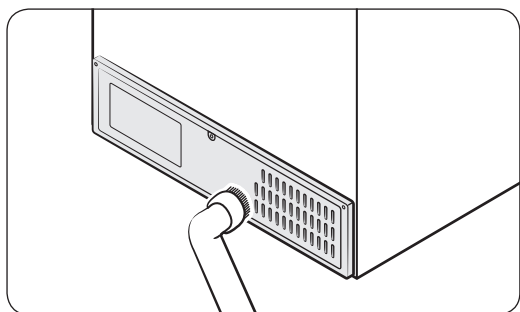
# Maintenance

---

## Rubber seals

If the rubber seals of a door become dirty, the door may not close properly and reducing refrigerator performance and efficiency. Use a mild detergent and damp cloth to clean the rubber seals. Then, dry well with a cloth.

## Rear panel



To keep cords and exposed parts of the rear panel free of dirt, vacuum the panel once or twice a year.

## ⚠ CAUTION

Do not remove the rear panel cover. Electric shock may occur.

## Replacement

---

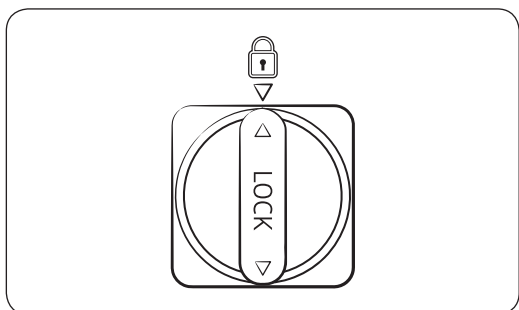
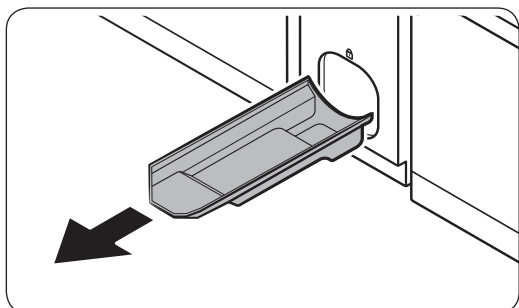
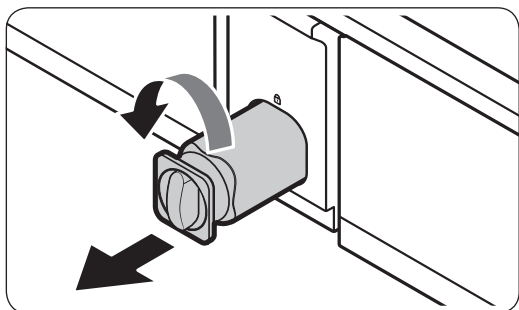
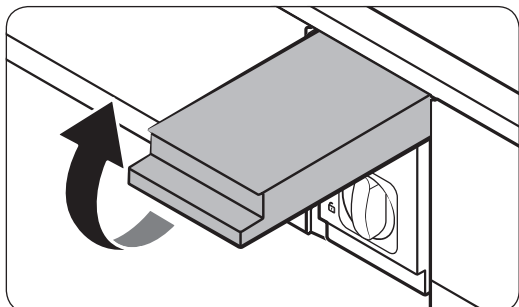
### Water filter

## ⚠ WARNING

- Do not use third-party water filters. Use only Dacor-provided or approved filters.
- Unapproved filters may leak and damage the refrigerator, causing electric shock. Dacor is not responsible for any damage that may occur from use of third-party water filters.

The “**Replace water filter**” message appears on the control panel to let you know it is time to replace the water filter. Before replacing the filter, make sure the water supply line is shut off.





1. Shut off the water supply line.
2. Open the filter cartridge cover.
3. Turn the knob of the filter cartridge counter clockwise 90 degrees ( $\frac{1}{4}$  turn). The filter cartridge unlocks.
4. Pull out to remove the cartridge.
  - If the water filter is severely contaminated, the cartridge may not be easy to remove. If that is the case, use force to remove the cartridge.
  - To prevent water leaks from the filter opening, pull the cartridge straight out while removing it.
5. Insert a new filter cartridge. Use only Dacor-provided or approved filters.
6. Turn the cartridge knob clockwise to lock into place.
7. Close the filter cartridge cover.
8. On the control panel, go to **More Options**, and then run **Filter Reset**.

# Maintenance

---

## NOTE

- A newly installed filter may cause the water dispenser to spurt water briefly. This is because air has entered the waterline.
- The replacement process may cause the water dispenser to drip for a short period of time. If it drips, simply wipe up any water on the floor with a dry towel.

## Reverse osmosis water filtration system

The water pressure of the water supply system to a reverse osmosis water filtration system must be between 35 psi and 120 psi (241 kPa and 827 kPa).

The water pressure of the reverse osmosis water filtration system to the refrigerator's cold water line must be at least 40 psi (276 kPa). If the water pressure is below these specifications:

- Check if the sediment filter in the reverse osmosis system is blocked. Replace the filter if necessary.
- Refill the water tank in the reverse osmosis system with water.
- If your refrigerator has a water filter, it may further reduce the water pressure when used in conjunction with a reverse osmosis system. Remove the water filter.

For more information or servicing, contact a licensed plumbing professional.

## Ordering a new filter

To purchase a new water filter, contact a local service agent.

## LED Lamps

To replace the lamps of the refrigerator, contact a local service agent.

## WARNING

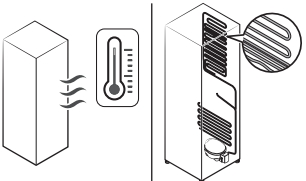
- The lamps are not user-serviceable. Do not attempt to replace a lamp yourself. This can cause electric shock.

# Troubleshooting

Before calling for service, review the checkpoints below. Any service calls regarding normal situations (No Defect Cases) will be charged to users.

## General

### Temperature

Symptom	Possible causes	Solution
Fridge/freezer does not operate. Fridge/freezer temperature is warm.	<ul style="list-style-type: none"> <li>Power cord is not plugged in properly.</li> </ul>	<ul style="list-style-type: none"> <li>Properly plug in the power cord.</li> </ul>
	<ul style="list-style-type: none"> <li>Temperature control is not set correctly.</li> </ul>	<ul style="list-style-type: none"> <li>Set the temperature lower.</li> </ul>
	<ul style="list-style-type: none"> <li>Refrigerator is located near a heat source or direct sunlight.</li> </ul>	<ul style="list-style-type: none"> <li>Keep the refrigerator away from direct sunlight or a heat source.</li> </ul>
	<ul style="list-style-type: none"> <li>Not enough clearance between refrigerator and nearby walls or cabinets.</li> </ul>	<ul style="list-style-type: none"> <li>Make sure there is a gap of at least 2.5 inches (5 cm) between the refrigerator back and sides and any nearby walls or cabinets.</li> </ul>
	<ul style="list-style-type: none"> <li>The refrigerator is overloaded. Food is blocking the refrigerator vents.</li> </ul>	<ul style="list-style-type: none"> <li>Do not overload the refrigerator. Do not allow food to block vents.</li> </ul>
Fridge/freezer is over-cooling.	<ul style="list-style-type: none"> <li>Temperature control is not set correctly.</li> </ul>	<ul style="list-style-type: none"> <li>Set the temperature higher.</li> </ul>
Interior wall is hot.	<ul style="list-style-type: none"> <li>Refrigerator has heat-proof piping in the interior wall.</li> </ul>	<ul style="list-style-type: none"> <li>To prevent condensation from forming, the refrigerator has heat-proof piping in the front corners. If the ambient temperature rises, this equipment may not work effectively. This is not a system failure.</li> </ul> 

# Troubleshooting

## Odors

Symptom	Possible causes	Solution
Refrigerator has odors.	<ul style="list-style-type: none"> <li>Spoiled food.</li> </ul>	<ul style="list-style-type: none"> <li>Clean the refrigerator and remove any spoiled food.</li> </ul>
	<ul style="list-style-type: none"> <li>Food with strong odors.</li> </ul>	<ul style="list-style-type: none"> <li>Make sure strong smelling food is wrapped airtight.</li> </ul>

## Frost

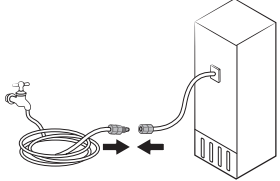
Symptom	Possible causes	Solution
Frost around the vents.	<ul style="list-style-type: none"> <li>Food is blocking the vents.</li> </ul>	<ul style="list-style-type: none"> <li>Make sure no food blocks the refrigerator vents.</li> </ul>
Frost on interior walls.	<ul style="list-style-type: none"> <li>Door is not closed properly.</li> </ul>	<ul style="list-style-type: none"> <li>Make sure food does not block the door. Clean the door gasket.</li> </ul>
Fruits or vegetables are frozen.	<ul style="list-style-type: none"> <li>Fruits or vegetables are stored in the FlexZone.</li> </ul>	<ul style="list-style-type: none"> <li>Do not store most kinds of fruit or vegetables in the FlexZone.</li> </ul>

## Condensation

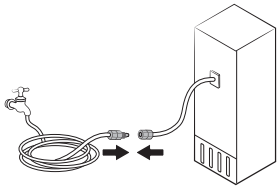
Symptom	Possible causes	Solution
Condensation forms on the interior walls.	<ul style="list-style-type: none"> <li>If door is left open, moisture enters the refrigerator.</li> </ul>	<ul style="list-style-type: none"> <li>Remove the moisture and do not leave a door open for extended periods of time.</li> </ul>
	<ul style="list-style-type: none"> <li>Food with high moisture content.</li> </ul>	<ul style="list-style-type: none"> <li>Make sure food is wrapped airtight.</li> </ul>

## Water/ice (dispenser models only)

Symptom	Possible causes	Solution
Water flow is weaker than normal.	<ul style="list-style-type: none"> <li>Water pressure is too low.</li> </ul>	<ul style="list-style-type: none"> <li>Make sure the water pressure is between 20 and 120 psi (138 and 827 kPa).</li> </ul>
Ice maker makes a buzzing sound.	<ul style="list-style-type: none"> <li>The ice maker function is activated, but the water supply to the refrigerator has not been connected.</li> </ul>	<ul style="list-style-type: none"> <li>Turn off the Ice Maker.</li> </ul>

Symptom	Possible causes	Solution
Ice maker does not make ice.	<ul style="list-style-type: none"> <li>Ice maker has just been installed.</li> </ul>	<ul style="list-style-type: none"> <li>You must wait for 12 hours for the refrigerator to make ice.</li> </ul>
	<ul style="list-style-type: none"> <li>Freezer temperature is too high.</li> </ul>	<ul style="list-style-type: none"> <li>Set the freezer temperature below 0 °F (-18 °C) or -4 °F (-20 °C) in warm ambient air.</li> </ul>
	<ul style="list-style-type: none"> <li>Ice maker is off.</li> </ul>	<ul style="list-style-type: none"> <li>Turn on the ice maker.</li> </ul>
Ice does not dispense.	<ul style="list-style-type: none"> <li>Ice may jam if the ice dispenser is not used for a long time (approx. 3 weeks).</li> </ul>	<ul style="list-style-type: none"> <li>If you won't be using the refrigerator for a long time, empty the ice bucket and turn off the ice maker.</li> </ul>
	<ul style="list-style-type: none"> <li>Ice bucket is not properly inserted.</li> </ul>	<ul style="list-style-type: none"> <li>Make sure the ice bucket is properly inserted.</li> </ul>
	<ul style="list-style-type: none"> <li>Water line is not connected properly or water supply is not on.</li> </ul>	<ul style="list-style-type: none"> <li>Check if the water line is installed correctly. Check if the water line stop valve is closed.</li> </ul> 

# Troubleshooting

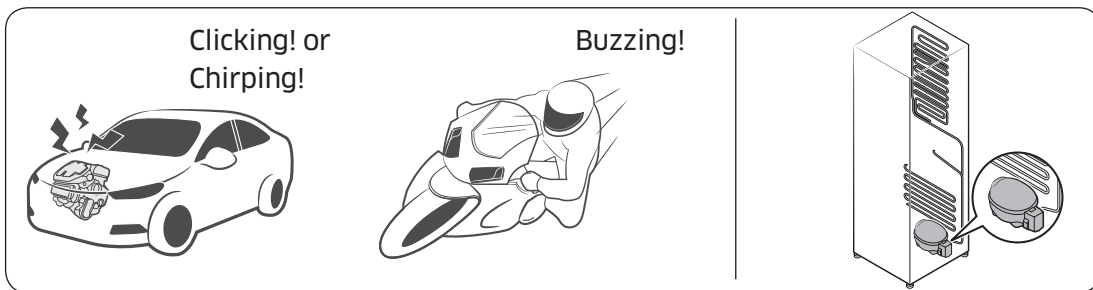
Symptom	Possible causes	Solution
Water does not dispense.	<ul style="list-style-type: none"> <li>Water line is not connected properly or water supply is not on.</li> </ul>	<ul style="list-style-type: none"> <li>Check if the water line is installed correctly. Check if the water line stop valve is closed.</li> </ul> 
	<ul style="list-style-type: none"> <li>A third-party water filter was installed.</li> </ul>	<ul style="list-style-type: none"> <li>Use only Dacor-provided or approved filters.</li> <li>Unapproved filters may leak and damage the refrigerator.</li> </ul>
	<ul style="list-style-type: none"> <li>The "<b>Replace water filter</b>" message appears on the control panel.</li> </ul>	<ul style="list-style-type: none"> <li>Replace the water filter. Then, on the control panel, go to <b>More Options</b>, and then run <b>Filter Reset</b>.</li> </ul>

## Do you hear abnormal sounds from the refrigerator?

Before calling for service, review the checkpoints below. Any service calls related to normal sounds will be charged to the user.

### These sounds are normal.

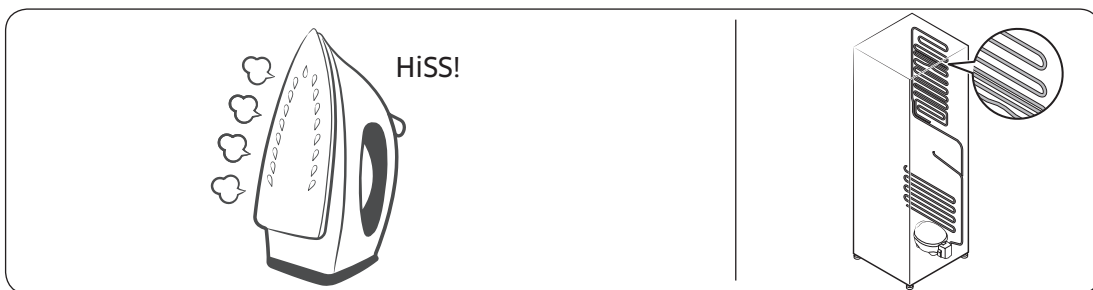
- When starting or ending an operation, the refrigerator may make sounds similar to a car engine igniting. As the operation stabilizes, the sounds will decrease.



- While the fan is operating, these sounds may occur. When the refrigerator reaches the set temperature, no fan sound will occur.

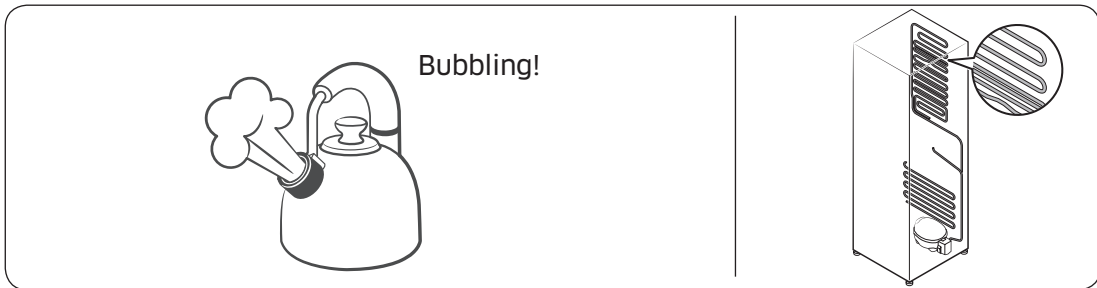


- During a defrost cycle, water may drip on the defrost heater, causing sizzling sounds.

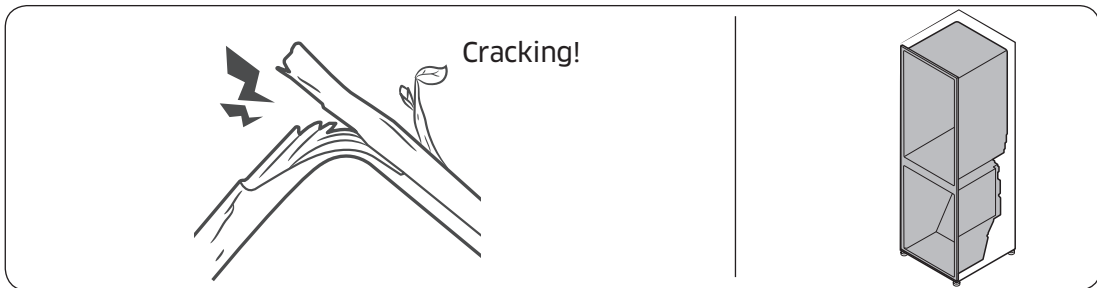


# Troubleshooting

- As the refrigerator cools or freezes, refrigerant gas moves through sealed pipes, causing bubbling sounds.



- As the refrigerator temperature increases or decreases, plastic parts contract and expand, creating knocking noises. These noises occur during the defrosting cycle or when electronic parts are working.



- For ice maker models: When the water valve opens to fill the ice maker, buzzing sounds may occur.
- Due to pressure equalizing when opening and closing the refrigerator door, whooshing sounds may occur.



## SmartThings

Symptom	Action
Could not find "SmartThings" in the app market.	<ul style="list-style-type: none"> <li>The SmartThings app is not available for some tablet and iPad and some smartphone.               <ul style="list-style-type: none"> <li>- support that [Android] OS 6.0 or higher(minimum 2GB RAM Size)</li> <li>- support that [iOS]10.0 or higher/iPhone6 or higher.</li> </ul> </li> </ul>
The SmartThings app fails to operate.	<ul style="list-style-type: none"> <li>The SmartThings app is available for applicable models only.</li> <li>The old Dacor Smart Refrigerator app cannot connect with Dacor Smart Home models.</li> </ul>
The SmartThings app is installed but is not connected to my refrigerator.	<ul style="list-style-type: none"> <li>You must log into your Samsung account to use the app.</li> <li>Make sure that your router is operating normally.</li> <li>If the Wi-Fi icon on the refrigerator's display is off, this indicates that no network connection has been established yet. In this case, use the SmartThings app to connect and register your refrigerator to the access point (AP) of your house.</li> </ul>
Could not log into the app.	<ul style="list-style-type: none"> <li>You must log into your Samsung account to use the app.</li> <li>If you don't have a Samsung account, follow the app's onscreen instructions to create one.</li> </ul>
An error message appears when I try to register my refrigerator.	<ul style="list-style-type: none"> <li>Easy Connection may fail due to the distance from your access point (AP) or electrical interference from the surrounding environment. Wait a moment and try again.</li> </ul>
The SmartThings app is successfully connected to my refrigerator but does not run.	<ul style="list-style-type: none"> <li>Exit and restart the SmartThings app, or disconnect and reconnect the router.</li> <li>Power off the refrigerator, and then power it on again after 1 minute.</li> </ul>

# Troubleshooting

## Smart Grid

Symptom	Action
What Do I Need to use the Energy Management and Smart Grid functions?	<ul style="list-style-type: none"> <li>To use the Smart Grid (Demand Response) and Energy Management function on your Refrigerator, you need the following devices and apps:               <ul style="list-style-type: none"> <li>- Devices: 1) A Wireless Router, 2) A SmartThings Refrigerator, 3) A Smartphone. (Recommended: Android OS 6.0 or later version)</li> <li>- Applications: 1) "SmartThings App" from the Goolge Play Store.</li> </ul> </li> <li>You also need to:               <ul style="list-style-type: none"> <li>• Connect the Refrigerator and the Smartphone to the same Wi-Fi network in your home.</li> <li>• Install and run the SmartThings App on your Smartphone.</li> <li>• In addition, to use the Smart Grid (Demand Response) function, you must Register for the service with your electric company. The company must have an EMS (Energy Management System) that supports SEP (Smart Energy profile).</li> </ul> </li> </ul>
Why isn't the Energy Management function working normally?	<ul style="list-style-type: none"> <li>• Confirm that the router in your home and the internet are working properly.               <ul style="list-style-type: none"> <li>- Connect a Smartphone to the router (AP, Access Point), and then confirm that you can browse the Internet on the phone.</li> </ul> </li> <li>• Confirm that refrigerator is connected to the AP.               <ul style="list-style-type: none"> <li>- Check for Wi-Fi icon on the panel of the refrigerator. If the refrigerator is connected, the icon will be on.</li> </ul> </li> <li>• Confirm that the refrigerator and Smartphone are connected to the same router.</li> </ul>
Why isn't the Delay Defrost Capability working normally?	<ul style="list-style-type: none"> <li>• Confirm that the router in your home and the Internet are working properly.</li> <li>• Connect a Smartphone to the router (AP, Access Point), and then confirm that you can browse the Internet on the phone.</li> <li>• Confirm that the rear where you live is properly entered into the SmartThings App.</li> <li>• Confirm that the Smart Grid function works correctly. (Check the control panel. The DAL or TALR icon should not be displayed on the panel.)</li> </ul>

# Warranty

## Customer Service

Before you request help or schedule service:

1. Try the Solutions offered in the Problem–Solution table in the “Troubleshooting” section.
2. Become familiar with the warranty terms and conditions of your product.
3. If none of these tips or suggestions resolves your problem, visit [dacor.com](http://dacor.com) or call our Customer Service center at (833) 353-5483 (United States), (844) 509-4659 (Canada)

## United States - Warranty

### CERTIFICATE OF WARRANTY ON DACOR REFRIGERATOR - UNITED STATES:

#### FULL TWO-YEAR WARRANTY

This warranty covers any defects in materials or workmanship in the Dacor-branded new appliance purchased from a Dacor Authorized Dealer or other seller authorized by Dacor.

This full warranty runs for two years starting from the date of original retail purchase receipt or closing date for new construction, whichever period is longer. Dacor will repair or replace your product.

#### LIMITED WARRANTY

After the Full Warranty period has ended, this product is warranted against defects in materials or workmanship reported to us during the applicable warranty periods as follows:

Years 3–6 of your ownership – Parts and Labor on Sealed System	For the third through sixth years of your ownership, we will pay for factory specified parts and repair labor costs to correct defects in materials or workmanship in the sealed refrigeration system (the compressor, evaporator, condenser, dryer and connecting tubing).
Years 7–12 of your ownership – Parts only on the Sealed System	For the seventh through twelfth years of your ownership, we will pay for factory-specified parts only to correct defects in the sealed refrigeration system.
Years 13–15 of your ownership – Parts only on the Compressor	For the thirteenth through fifteenth years of your ownership, we will pay for factory-specified parts only to correct defects in the compressor.

# Warranty

---

**Cosmetic Defects.** In addition, for 60 days from the date of purchase, your product is warranted to be free from cosmetic defects in material and workmanship (such as scratches of stainless steel, paint/porcelain blemishes, chip, dents, or other damage to the finish). Color variations are excluded, and display, floor-model, “as-is” or refurbished products are specifically excluded.

## COVERAGE LIMITATIONS

Service will be provided by a Dacor designated service company during regular business hours. Please note service providers are independent entities and are not agents of Dacor.

The owner must provide proof-of-purchase or a closing statement for new construction upon request. All Dacor products must be accessible for service.

Warranty will be null and void on product that has altered, defaced, or missing serial numbers and tags.

Warranty is null and void if non-CSA approved product is transported from the U.S.A.

## WHAT IS NOT COVERED

<ul style="list-style-type: none"> <li>• Due to differences in painted parts, kitchen lighting, product placement, and other factors; this warranty does not apply to color variation.</li> </ul>	<ul style="list-style-type: none"> <li>• Service calls to educate the customer on proper use and care of the product.</li> </ul>
<ul style="list-style-type: none"> <li>• Service fees for travel to islands and remote areas, which include but are not limited to, ferries, toll roads, or other travel expenses.</li> </ul>	<ul style="list-style-type: none"> <li>• Consequential or incidental damage, including but not limited to: food or medicine loss, time away from work, or restaurant meals.</li> </ul>
<ul style="list-style-type: none"> <li>• Commercial, business, or rental use, or any application other than residential consumer use.</li> </ul>	<ul style="list-style-type: none"> <li>• Failure of the product caused by improper product installation.</li> </ul>
<ul style="list-style-type: none"> <li>• Replacement of house fuses, fuse boxes, or resetting of circuit breakers.</li> </ul>	<ul style="list-style-type: none"> <li>• Damage caused by accident, fire, flood, power interruption, power surges, or acts of God.</li> </ul>
<ul style="list-style-type: none"> <li>• Liability or responsibility for damage to surrounding property including cabinetry, floors, ceilings and other structures or objects.</li> </ul>	<ul style="list-style-type: none"> <li>• Breakage, discoloration or damage to glass, metal surfaces, plastic components, trim, paint, or other cosmetic finish caused by improper usage, care, abuse, or neglect.</li> </ul>
<ul style="list-style-type: none"> <li>• Except as noted above, consumable parts such as filters and light bulbs are not covered and are the responsibility of the purchaser.</li> </ul>	

# Warranty

---

THE REMEDIES PROVIDED IN THE ABOVE EXPRESS WARRANTIES ARE THE SOLE AND EXCLUSIVE REMEDIES. THEREFORE, NO OTHER EXPRESS WARRANTIES ARE MADE, AND OUTSIDE THE FIFTY STATES OF THE UNITED STATES AND CANADA, ALL IMPLIED WARRANTIES, INCLUDING BUT NOT LIMITED TO, ANY IMPLIED WARRANTY OF MERCHANTABILITY OR FITNESS FOR A PARTICULAR USE OR PURPOSE, ARE LIMITED IN DURATION TO ONE YEAR FROM THE DATE OF ORIGINAL PURCHASE. IN NO EVENT SHALL DACOR BE LIABLE FOR INCIDENTAL EXPENSE OR CONSEQUENTIAL DAMAGES. IN THE EVENT DACOR PREVAILS IN ANY LAWSUIT, DACOR SHALL BE ENTITLED TO REIMBURSEMENT OF ALL COSTS AND EXPENSES, INCLUDING ATTORNEY'S FEES, FROM THE DACOR CUSTOMER. NO WARRANTIES, EXPRESS OR IMPLIED, ARE MADE TO ANY BUYER FOR RESALE.

Some states do not allow limitations on how long an implied warranty lasts, or do not allow the exclusion or limitation of inconsequential damages, therefore the above limitations or exclusions may not apply to you. This warranty gives you specific legal rights, and you may also have other rights that vary from state-to-state.

Warrantor: Samsung Electronics America, Ridgefield Park, NJ, 07660

---

## CANADA - Warranty

---

### CERTIFICATE OF WARRANTY ON DACOR REFRIGERATOR - CANADA:

This Limited Warranty covers only those Products supplied and distributed in Canada by us and delivered new, in the original carton or packaging, to the original consumer purchaser that are purchased from an authorized reseller or distributor, except as otherwise stated herein. Except where prohibited by applicable provincial law, only the original consumer purchaser of the Product has any rights under this Limited Warranty and this Limited Warranty may not be transferred or assigned.

Any additional statements such as dealer advertising or presentation, whether oral or written, that make additional warranties or modifications to this Limited Warranty do not constitute warranties by us and should not be relied upon.

#### 1. WHAT IS COVERED AND FOR HOW LONG

We warrant to the original purchaser ("Purchaser") that your Dacor Refrigerator purchased from an authorized reseller or distributor in Canada (the "Products") is free from defects in material and workmanship encountered in normal use for the warranty period identified below, effective as of the date of purchase or closing date for new construction, whichever period is longer.

Dacor Product or Part	Warranty Period and Warranty Coverage
Refrigerator	Two (2) Years: Parts and Labour
Refrigerator Sealed System (compressor, evaporator, condenser, dryer and connecting tubing)	Six (6) Years: Parts and Labour
Refrigerator Sealed System (compressor, evaporator, condenser, dryer and connecting tubing)	Twelve (12) Years: Parts Only
Refrigerator Compressor	Fifteen (15) Years: Parts Only

**Cosmetic Defects.** For sixty (60) days from the date of purchase, the Product is warranted to be free from cosmetic defects in material and workmanship (such as scratches of stainless steel, paint/porcelain blemishes, chip, dents, or other damage to the finish). Color variations are excluded, and display, floor-model, "as-is" or refurbished products are specifically excluded.

# Warranty

---

## 2. COVERAGE LIMITATIONS

If the Product fails to operate according to the Product's specifications during the applicable warranty period and the failure is due to improper workmanship or defective material, we will repair or replace, at our sole option, and without charge to the Purchaser, the Product or any defective component part of the Product. We may, at our sole option, use rebuilt, reconditioned, or new parts or components when repairing any Product. If the same model Product or part is not available for replacement, we may, at our sole option, replace the Product or part with any rebuilt, refurbished, reconditioned or new Product or part of similar utility and value to the Product or part being replaced.

We expressly reserve the exclusive right, at our sole option, and in lieu of any service, repair or replacement of a Product under this Limited Warranty, to offer the Purchaser a partial refund of the original purchase price paid by the Purchaser for that Product (a "Partial Refund"). The amount of any Partial Refund to be offered shall be determined in our discretion based on the fair market value of the Product given its age and condition. If Purchaser accepts that offer of a Partial Refund, the Purchaser shall be deemed to have released us from any claim or liability whatsoever under this Limited Warranty or under any other applicable express or implied warranty or condition in respect of that Product.

All repaired parts or replaced Products will be warranted for a period equal to the remainder of the original Limited Warranty on the original Product or for 90 days, whichever is longer.

## 3. WHAT IS NOT COVERED

The remedies provided for in this Limited Warranty are available only within Canada.

This Limited Warranty does not cover any defect, malfunction, failure or damage caused by or resulting from any of the following:

(a) removal, installation, re-installation, maintenance, or service of the Product that was not authorized by us; (b) accident, fire, flood, power interruption, power surges, incorrect line voltage or supply or electrical current, fuses, house wiring, circuit breakers, connectors not supplied by us, unusual electrical or electromechanical stress, acts of God, or acts of nature; (c) misuse, abuse, neglect, mishandling, misapplication, alteration or modification of the Product or any part of the Product; (d) use of the Product in conjunction with products, equipment, utilities, services, parts, supplies, accessories, applications, external wiring, connectors, or ancillary or peripheral equipment not supplied or authorized by us; (e) uses for which the Product was not intended.



---

Further, this Limited Warranty does not cover: (i) any Product or part from which the serial number has been removed or on which the serial number has been made illegible. Removing the serial number on any Product or rendering it illegible on any Product will immediately void the Limited Warranty for that Product; (ii) any damage whatsoever that occurs during shipment of the Product once the Product has been accepted by the Purchaser; (iii) any damage whatsoever resulting from any failure to follow operating, maintenance or environmental instructions contained in any instruction booklet or owner's manual available in connection with the Product; (iv) service fees for travel to islands and remote areas, which include but are not limited to, ferries, toll roads, or other travel expenses; (v) replacement of house fuses, fuse boxes, or resetting of circuit breakers; (vi) liability or responsibility for damage to surrounding property including cabinetry, floors, ceilings and other structures or objects; (vii) the cost of service calls for instructions, for the correction of installation errors, for customer adjustments that are explained in the Product owner's manual, or where the Product operates according to the Product's specifications. There may be a service charge for service calls made for issues not covered under this Limited Warranty; (viii) breakage, discoloration or damage to glass, metal surfaces, plastic components, trim, paint, or other cosmetic finish caused by improper usage, care, abuse, or neglect; (ix) except as noted above, consumable parts such as filters and light bulbs are not covered and are the responsibility of the Purchaser; (x) commercial, business, or rental use, or any application other than residential consumer use; (xi) colour variation due to differences in painted parts, kitchen lighting, product placement, and other factors;

We do not warrant or guarantee uninterrupted or error-free operation of the Product.

# Warranty

---

## 4. WHAT ARE THE LIMITATIONS ON IN-HOME WARRANTY SERVICE?

In-home service is subject to availability, and it is not available in all areas of Canada. In-home service will only be provided if the Product is unobstructed and easily accessible from floor level to service personnel. If repair cannot be completed during in-home service or if in-home service is not available in your area, you may be directed to deliver the Product to a Dacor Authorized Service Center for warranty service. The cost of transportation of the Product to and from a Dacor Authorized Service Centre shall be paid by the Purchaser unless we elect to provide that transportation at our discretion.

To receive in-home service, the Purchaser must first contact Dacor Customer Care for problem determination and service procedures. All in-home warranty repairs must be performed by a Dacor Authorized Service Center. Valid proof of purchase must be presented to us at the time that service is requested and before warranty services are rendered.

When in-home service is not available, the Purchaser must return the Product to a Dacor Authorized Service Center for analysis. Assistance on where to deliver the Product can be obtained by contacting our Customer Service center. The cost of transporting the Product to or from the Authorized Service Center must be paid by the Purchaser.

## 5. WHAT ARE THE LIMITS OF OUR LIABILITY?

EXCEPT AS EXPRESSLY SET FORTH IN THIS LIMITED WARRANTY, OUR LIABILITY IS SUBJECT TO THE FOLLOWING LIMITATIONS:

(A) THE PURCHASER TAKES THE PRODUCT "AS IS" AND WE MAKE NO WARRANTY OR REPRESENTATION OF ANY KIND WHATSOEVER WITH RESPECT TO THE PRODUCT.

(B) THERE ARE NO CONDITIONS, EXPRESS OR IMPLIED, STATUTORY OR OTHERWISE, WITH RESPECT TO THE PRODUCT

(C) IN PARTICULAR, AND WITHOUT LIMITING THE GENERALITY OF THE FOREGOING PARAGRAPHS (A) AND (B), WE MAKE NO WARRANTY, CONDITION OR REPRESENTATION AS TO ANY OF THE FOLLOWING: (i) THE MERCHANTABILITY OF THE PRODUCT OR ITS FITNESS FOR ANY PARTICULAR PURPOSE OR USE; (ii) TITLE OR NON-INFRINGEMENT; (iii) DESIGN, CONDITION, QUALITY, OR PERFORMANCE OF THE PRODUCT; (iv) THE WORKMANSHIP OF THE PRODUCT OR THE COMPONENTS CONTAINED THEREIN; (v) COMPLIANCE OF THE PRODUCT WITH THE REQUIREMENTS OF ANY LAW, RULE, SPECIFICATION OR CONTRACT PERTAINING TO THE PRODUCT.

(D) NOTHING CONTAINED IN ANY INSTRUCTION MANUAL OR OWNER'S MANUAL SHALL BE CONSTRUED TO CREATE AN EXPRESS WARRANTY OF ANY KIND WHATSOEVER WITH RESPECT TO THE PRODUCT.

---

THE PROVISIONS FOUND IN PARAGRAPHS (E) AND (F) BELOW DO NOT APPLY IN CIRCUMSTANCES WHERE THIS LIMITED WARRANTY IS GOVERNED BY THE LAWS OF THE PROVINCE OF QUEBEC.

(E) ALL IMPLIED WARRANTIES AND CONDITIONS THAT MAY ARISE BY OPERATION OF LAW, INCLUDING ANY APPLICABLE IMPLIED WARRANTY OR CONDITION OF MERCHANTABILITY OR FITNESS FOR A PARTICULAR PURPOSE, ARE HEREBY LIMITED TO THE SAME DURATION OF TIME AS THIS LIMITED WARRANTY. SOME PROVINCES PROHIBIT LIMITATIONS ON HOW LONG AN IMPLIED WARRANTY LASTS, AND THE LIMITATION ON THE DURATION OF THE IMPLIED WARRANTY WILL NOT APPLY TO THE EXTENT THAT THE LIMITATION IS PROHIBITED BY APPLICABLE PROVINCIAL LAW.

(F) WE SHALL NOT BE LIABLE FOR DAMAGES OF ANY KIND (INCLUDING, WITHOUT LIMITATION, ANY INCIDENTAL, SPECIAL, CONSEQUENTIAL OR SIMILAR DAMAGES) THAT RESULT OR ARISE DIRECTLY OR INDIRECTLY FROM ANY OF THE FOLLOWING: (i) THE PURCHASE, USE, OR MISUSE OF THE PRODUCT; (ii) ANY LOSS OF USE OF THE PRODUCT OR INABILITY TO USE THE PRODUCT; (iii) ANY BREACH OF THE EXPRESS WARRANTY; (iv) ANY LOSS OF ANTICIPATED PROFITS OR BENEFITS; (v) ANY LOSS OF FOOD OR CONSUMABLES; (vi) ANY TORT (INCLUDING NEGLIGENCE OR GROSS NEGLIGENCE) OR FAULT COMMITTED BY US, ITS AGENTS OR EMPLOYEES; (vii) ANY BREACH OF CONTRACT; (viii) ANY CLAIM BROUGHT AGAINST THE PURCHASER BY ANY OTHER PARTY. SOME PROVINCES PROHIBIT THE EXCLUSION OR LIMITATION OF INCIDENTAL OR CONSEQUENTIAL DAMAGES, AND THE ABOVE EXCLUSION OF INCIDENTAL OR CONSEQUENTIAL DAMAGES WILL NOT APPLY TO THE EXTENT THAT THE EXCLUSION IS PROHIBITED BY APPLICABLE PROVINCIAL LAW.

(G) THIS WARRANTY GIVES YOU SPECIFIC LEGAL RIGHTS, AND YOU MAY ALSO HAVE OTHER RIGHTS, WHICH VARY FROM PROVINCE TO PROVINCE. THIS LIMITED WARRANTY STATES THE PURCHASER'S EXCLUSIVE REMEDY. EXCEPT WHERE PROHIBITED BY APPLICABLE PROVINCIAL LAW, THIS LIMITED WARRANTY IS NOT TRANSFERABLE WITHOUT OUR EXPRESS CONSENT.

(H) IF ANY PORTION OF THIS LIMITED WARRANTY IS HELD ILLEGAL OR UNENFORCEABLE BY REASON OF ANY LAW, SUCH PARTIAL ILLEGALITY OR UNENFORCEABILITY SHALL NOT AFFECT THE ENFORCEABILITY FOR THE REMAINDER OF THIS LIMITED WARRANTY.

If the Product is purchased from a non-authorized reseller or distributor or purchased outside of Canada, this Limited Warranty does not apply except that the above limitations specified in Sections 5(A) through 5(l) shall apply.

Warrantor in Canada: Samsung Electronics Canada Inc., Mississauga, ON, L5N 0B9 Canada

# Warranty

---

## OUTSIDE THE UNITED STATES AND CANADA:

### LIMITED FIRST YEAR WARRANTY

If your Dacor product fails to function within one year of the original date of purchase due to a defect in material or workmanship, Dacor will furnish a new part, F.O.B. factory to replace the defective part.

All delivery, installation, labor costs, and other service fees are the responsibility of the purchaser.

# Regulatory Notice

---

## FCC Notice

---

### **FCC CAUTION:**

Any changes or modifications not expressly approved by the party responsible for compliance could void the user's authority to operate the equipment.

Contains Transmitter Module FCC ID: A3LCWAP210M

This device complies with Part 15 of FCC Rules. Operation is Subject to the following two conditions:

- (1) This device may not cause harmful interference, and
- (2) This device must accept any interference received including interference that cause undesired operation.

For products available in the US and Canadian markets, only channels 1~11 are available. You cannot select other channels.

### **FCC STATEMENT:**

This equipment has been tested and found to comply within the limits for a Class B digital device, pursuant to part 15 of the FCC Rules. These limits are designed to provide reasonable protection against harmful interference in a residential installation.

This equipment generates, uses, and can radiate radio frequency energy and, if not installed and used in accordance with the instructions, may cause harmful interference to radio communications. However, there is no guarantee that interference will not occur in a particular installation. If this equipment does cause harmful interference to radio or television reception, which can be determined by turning the equipment off and on, the user is encouraged to try to correct the interference by one or more of the following measures:

- Reorient or relocate the receiving antenna
- Increase the separation between the equipment and receiver
- Connect the equipment to an outlet that is on a different circuit than the receiver.
- Consult the dealer or an experienced radio/TV technician for help.

### **FCC RADIATION EXPOSURE STATEMENT:**

This equipment complies with FCC radiation exposure limits set forth for an uncontrolled environment.

This equipment should be installed and operated so there is at least 8 inches (20 cm) between the radiator and your body. This device and its antennas must not be co-located or operated in conjunction with any other antenna or transmitter except in accordance with FCC multi-transmitter product procedures.

# Regulatory Notice

---

## IC Notice

---

Contains Transmitter Module IC: 649E-CWAP210M

The term “IC” before the radio certification number only signifies that Industry Canada technical specifications were met. Operation is subject to the following two conditions : (1) this device may not cause interference, and (2) this device must accept any interference, including interference that may cause undesired operation of the device.

This Class B digital apparatus complies with Canadian ICES-003.

Cet appareil numérique de la classe B est conforme à la norme NMB-003 du Canada.

For products available in the US and Canadian markets, only channels 1~11 are available. You cannot select other channels.

### **IC RADIATION EXPOSURE STATEMENT:**

This equipment complies with IC RSS-102 radiation exposure limits set forth for an uncontrolled environment. This equipment should be installed and operated so there is at least 8 inches (20 cm) between the radiator and your body. This device and its antennas must not be co-located or operated in conjunction with any other antenna or transmitter except in accordance with FCC multi-transmitter product procedures.

**SAVE THESE INSTRUCTIONS**

# Open Source Announcement

---

The software included in this product contains open source software.

The following URL [http://opensource.samsung.com/opensource/SMART\\_TP2\\_0/seq/0](http://opensource.samsung.com/opensource/SMART_TP2_0/seq/0) leads to open source license information as related to this product.





DA68-04023L-00

***dacor***<sup>®</sup>

---





***dacor***<sup>®</sup>

Manual del usuario

## Refrigerador

DRF36C700\*\*





# Contenido

---

## Información importante 4

---

Antes de comenzar 4

## Información sobre seguridad 5

---

Qué debe saber sobre las instrucciones de seguridad 5

Símbolos y advertencias de seguridad importantes: 6

Advertencias de la Proposición 65 del Estado de California 6

Precauciones importantes de seguridad 6

Señales de advertencia importantes para el transporte y el emplazamiento 8

Advertencias muy importantes para la instalación 9

Precauciones para la instalación 11

Advertencias muy importantes para el uso 11

Precauciones de uso 14

Precauciones para la limpieza 15

Advertencias muy importantes para la eliminación de residuos 16

## Instalación 17

---

Descripción breve del refrigerador 18

Instalación paso a paso 21

## Funcionamiento 40

---

Panel de control 40

SmartThings 45

Función SMART GRID (respuesta a la demanda) (solo para los modelos correspondientes) 48

Funciones especiales 52

## Mantenimiento 59

---

Manipulación y cuidado 59

Limpieza 63

Reemplazo 64



---

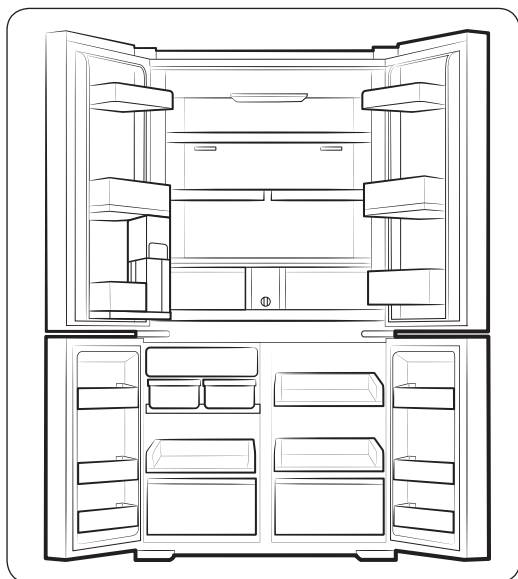
<b>Solución de problemas</b>	<b>67</b>
General	67
¿Se oyen ruidos anómalos procedentes del refrigerador?	71
SmartThings	73
Smart Grid	74
<b>Garantía</b>	<b>75</b>
Estados Unidos - Garantía	75
CANADÁ - Garantía	79
<b>Aviso regulatorio</b>	<b>85</b>
Aviso de la FCC	85
Aviso de la IC	86
<b>Aviso de código abierto</b>	<b>87</b>

---

# Información importante

## Antes de comenzar

Información importante



### Instalador

- Conserve las instrucciones de uso y cuidado junto con el electrodoméstico.

### Cliente

- Lea este manual de uso y cuidado en su totalidad antes de utilizar el refrigerador. Guárdelo para futura referencia.

Conserve el recibo de compra o el cheque cancelado. Se requiere la prueba de compra original con fecha para recibir el servicio de garantía.

Tenga a mano la identificación completa del modelo y el número de serie.

Estos números se encuentran en una etiqueta en la pared interna del refrigerador. Escriba estos números a continuación para que pueda disponer de ellos fácilmente.

Número de modelo	
Número de serie	
Fecha de compra	

# Información sobre seguridad

---

Antes de utilizar su nuevo refrigerador Dacor, lea detenidamente este manual a fin de aprender a usar las funciones que ofrece de manera segura y eficiente.

## Qué debe saber sobre las instrucciones de seguridad

---

- Este electrodoméstico no debe ser utilizado por personas (incluidos niños) con capacidades mentales, sensoriales o físicas reducidas, o por personas que carezcan de experiencia y de conocimientos, a menos que se encuentren bajo supervisión o hayan recibido las instrucciones de uso por parte de un responsable de su seguridad. Se deberá vigilar a los niños para asegurarse de que no jueguen con el electrodoméstico.
- Debido a que las siguientes instrucciones corresponden a diversos modelos, es posible que las características de su refrigerador difieran ligeramente de las que se describen en este manual.
- Si tiene alguna duda, busque ayuda e información en línea en [www.Dacor.com](http://www.Dacor.com).
- Si el refrigerante sale por los tubos, este podría incendiarse o dañar los ojos. Si hay pérdida de refrigerante del tubo, manténgalo alejado de las llamas, aparte cualquier material inflamable del producto y ventile la habitación inmediatamente.
  - No seguir esta recomendación puede causar riesgos de incendio o explosión.
- El uso inapropiado de la conexión a tierra puede traer como consecuencia un riesgo de descarga eléctrica. Si necesita usar un cable de extensión, use solo uno de 3 hilos con un enchufe que tenga una tercera punta para el polo a tierra; la toma de corriente deberá tener 3 ranuras para adaptarse al enchufe del electrodoméstico. La potencia indicada en el cable de extensión debe ser CA 115-120 V, 10 A o superior. Si se utiliza un adaptador de tierra, asegúrese de que el receptáculo esté conectado correctamente a tierra.



# Información sobre seguridad

## Símbolos y advertencias de seguridad importantes:

Sírvase seguir todas las instrucciones de seguridad del presente manual. En el presente manual se utilizan los siguientes símbolos de seguridad.

### **ADVERTENCIA**

Riesgos o prácticas inseguras que pueden causar lesiones personales graves, daños materiales y/o incluso la muerte.

### **PRECAUCIÓN**

Riesgos o prácticas inseguras que pueden causar lesiones personales graves y/o daños materiales.

### **NOTA**

Información útil que ayuda a los usuarios a comprender u obtener beneficios del refrigerador. Estas señales de advertencia se incluyen aquí para evitar que usted o terceros sufran lesiones. Sígalas atentamente.

Después de leer esta sección, consérvela en un lugar seguro para referencia futura.

## Advertencias de la Proposición 65 del Estado de California

### **ADVERTENCIA**

Cáncer y afecciones reproductivas - [www.P65Warnings.ca.gov](http://www.P65Warnings.ca.gov).

## Precauciones importantes de seguridad



Advertencia: riesgo de incendio/materiales inflamables

### **ADVERTENCIA**

- Se utiliza R-600a como refrigerante. Este producto contiene gas inflamable (Refrigerante R-600a), comuníquese con las autoridades locales para desechar este producto en forma segura.
- Para evitar la creación de una mezcla de gas-aire inflamable en caso de una pérdida en el circuito del refrigerante, el tamaño del lugar en el que se coloca el refrigerador depende de la cantidad de refrigerante utilizado. El lugar debe tener 35.3 pies<sup>3</sup> por cada 8 g de refrigerante R-600a en el electrodoméstico.
- La ubicación de instalación no debe estar expuesta a la luz solar directa ni cerca de ningún electrodoméstico o fuente de calor, tales como estufas, hornos u hornillas, radiadores, etc.



- Si coloca dos productos uno junto al otro, por razones de seguridad, asegúrese de utilizar productos certificados en atmósferas de gas explosivas.
- Nunca debe poner en marcha un electrodoméstico que presente signos de haber sido dañado. Si tiene alguna inquietud, consulte a su distribuidor.
- Si el cable de alimentación está dañado, debe ser reemplazado por el fabricante, su agente de servicios o personas igualmente calificadas para evitar riesgos.
- Debe poder accederse al tomacorriente con facilidad para que el electrodoméstico pueda desenchufarse de la alimentación en caso de emergencia. Debe encontrarse fuera de la zona trasera del electrodoméstico.
- No almacene sustancias explosivas como latas de aerosoles con gases propelentes inflamables en este electrodoméstico.
- Se deben utilizar las mangueras nuevas provistas con el electrodoméstico y no reutilizar las mangueras antiguas.
- Cuando instale el electrodoméstico, asegúrese de que el cable de alimentación no esté atrapado ni dañado.
- No ubique varias regletas de tomacorrientes portátiles o unidades de alimentación móviles en la parte trasera del electrodoméstico.

### **ADVERTENCIA**

- Llenar únicamente con agua potable.
- Mantenga las aberturas de ventilación del gabinete o estructura incorporada del electrodoméstico libres de obstrucciones.
- No utilice dispositivos mecánicos ni cualquier otro medio para acelerar el proceso de descongelamiento que no sean aquellos recomendados por el fabricante.
- No dañe el circuito del refrigerante.
- No utilice electrodomésticos eléctricos dentro de los compartimientos de almacenamiento de alimentos del electrodoméstico, a menos que sean del tipo recomendado por el fabricante.
- Conéctelo solamente a un suministro de agua potable.

### **ADVERTENCIA**

- Existe el riesgo de que los niños queden encerrados. Antes de desechar su antiguo refrigerador o congelador:
  - Retire las puertas.
  - Deje los estantes en su lugar de manera tal que los niños no puedan trepar fácilmente.



# Información sobre seguridad

---

## PRECAUCIÓN

- Riesgo de incendio o explosión. Se utiliza refrigerante inflamable. No utilice dispositivos mecánicos para descongelar el refrigerador. No perforo la tubería del refrigerante.
- Riesgo de incendio o explosión. Se utiliza refrigerante inflamable. Reparación únicamente por parte de personal de servicio técnico capacitado. No perforo la tubería del refrigerante.
- Riesgo de incendio o explosión. Se utiliza refrigerante inflamable. Consulte el Manual de reparación/Guía del propietario antes de intentar reparar este producto. Deben cumplirse todas las precauciones de seguridad.
- Riesgo de incendio o explosión. Deseche de acuerdo con las regulaciones federales y locales. Se utiliza refrigerante inflamable.
- Riesgo de incendio o explosión por perforación de los tubos de refrigerante; siga las instrucciones de manejo cuidadosamente. Se utiliza refrigerante inflamable.
- Para prevenir que los niños queden encerrados, manténgalo fuera del alcance de los niños y lejos del congelador o refrigerador.

### **Este electrodoméstico está diseñado para uso doméstico y en lugares como**

- zonas de cocina de tiendas, oficinas y otros entornos de trabajo
- granjas y zonas de uso de los clientes en hoteles, moteles u otros entornos de tipo residencial
- hospederías;
- banqueterías y eventos en instalaciones no minorista similares

## **Señales de advertencia importantes para el transporte y el emplazamiento**

---

### ADVERTENCIA

- Al transportar e instalar el electrodoméstico deberá tener cuidado de no dañar ninguna de las piezas del circuito del refrigerante.
  - La pérdida de refrigerante del tubo podría incendiarse o dañar los ojos. Si se detecta una fuga, manténgalo alejado de las llamas o de posibles fuentes de inflamación y ventile durante varios minutos el ambiente en el que se encuentra la unidad.
  - El electrodoméstico contiene una pequeña cantidad de refrigerante de isobutano (R-600a), un gas natural con alta compatibilidad ambiental, no obstante también inflamable.





---

## Advertencias muy importantes para la instalación

---

### **ADVERTENCIA**

- No instale el refrigerador en un lugar húmedo o donde pueda entrar en contacto con agua.
  - El aislamiento deficiente de las piezas eléctricas puede provocar una descarga eléctrica o un incendio.
- No exponga este refrigerador a la luz solar directa ni al calor de estufas, calefactores u otros electrodomésticos.
- No enchufe varios electrodomésticos y el refrigerador en la misma toma múltiple. El refrigerador debe conectarse siempre a un tomacorriente individual cuyo voltaje nominal coincida con el que se especifica en la placa de voltaje del refrigerador.
  - De esta manera se obtiene el mejor desempeño y también se evita que se sobrecarguen los circuitos del cableado de la casa, lo que podría sobrecalentar los cables y provocar un riesgo de incendio.
- Si el tomacorriente está flojo, no conecte el enchufe.
  - Existe el riesgo de que se produzca una descarga eléctrica o un incendio.
- No utilice un cable de alimentación que esté dañado o gastado en su extensión o en cualquiera de los extremos.
- No doble excesivamente el cable de alimentación ni coloque objetos pesados sobre él.
- No tire del cable de alimentación ni lo doble excesivamente.
- No retuerza ni amarre el cable de alimentación.
- No coloque el cable de alimentación sobre un objeto metálico; no coloque sobre él ningún objeto pesado; no lo coloque entre objetos ni lo empuje hacia el espacio que hay detrás del electrodoméstico.
- Al mover el refrigerador, tenga cuidado de no enroscar ni dañar el cable de alimentación.
  - Esto podría causar una descarga eléctrica o un incendio.
- Nunca desenchufe el refrigerador jalando el cable de alimentación. Siempre sostenga el enchufe con firmeza y jale para extraerlo del tomacorriente.
  - Los daños al cable pueden provocar un cortocircuito, un incendio o una descarga eléctrica.
- No instale este electrodoméstico cerca de calefactores o materiales inflamables.
- No instale este electrodoméstico en un lugar donde pueda haber fugas de gas.
  - Esto podría causar una descarga eléctrica o un incendio.
- Antes de usarse, el refrigerador debe ubicarse e instalarse de manera apropiada de acuerdo con las instrucciones de este manual.
- Conecte el enchufe en la posición correcta con el cable colgando hacia abajo.
  - Si conecta el enchufe al revés, el cable puede cortarse y provocar un incendio o una descarga eléctrica.
- Asegúrese de que el enchufe no esté aplastado ni haya sido dañado por la parte posterior del refrigerador.



# Información sobre seguridad

---

- Mantenga los materiales de empaque fuera del alcance de los niños.
  - Existe el riesgo de muerte por asfixia si un niño se coloca los materiales de empaque en la cabeza.
- El electrodoméstico debe colocarse de manera tal que se pueda acceder al enchufe después de la instalación.
  - No seguir esta recomendación puede causar una descarga eléctrica o un incendio debido a una fuga de electricidad.
- No instale este electrodoméstico en un lugar húmedo, engrasado o sucio, o en un sitio con exposición directa al sol o al agua (lluvia).
  - El aislamiento deficiente de las piezas eléctricas puede provocar una descarga eléctrica o un incendio.
- Si ingresaran grandes cantidades de polvo o agua al refrigerador, desenchufe el cable de alimentación y comuníquese con el centro de servicio de Dacor.
  - Si no lo hace, existe el riesgo de que se produzca un incendio.
- No se pare sobre el electrodoméstico ni le coloque objetos encima (tales como ropa, velas o cigarrillos encendidos, platos, productos químicos, objetos metálicos, etc.).
  - Esto podría causar una descarga eléctrica, un incendio, problemas con el producto o lesiones.
- Es necesario quitar toda la película plástica protectora antes de enchufar el producto por primera vez.
- Se deberá vigilar a los niños para asegurarse de que no jueguen con los anillos elásticos utilizados para el ajuste de la puerta o con las grapas del tubo de agua.
  - Existe riesgo de muerte por asfixia si un niño se traga un anillo elástico o una grapa del tubo de agua. Mantenga los anillos elásticos y las grapas del tubo de agua fuera del alcance de los niños.
- El refrigerador debe estar conectado a tierra de manera segura.
  - Siempre asegúrese de haber conectado el refrigerador a tierra antes de intentar examinar o reparar alguna pieza. Las fugas de energía pueden provocar una descarga eléctrica grave.
- Nunca utilice como conexión a tierra tubos de gas, líneas telefónicas ni otras posibles fuentes de atracción de rayos.
  - El refrigerador debe estar conectado a tierra para evitar cualquier fuga de energía o descarga eléctrica provocada por fugas de corriente del refrigerador.
  - La fuga de corriente podría causar descargas eléctricas, incendios, explosiones o problemas con el producto.
- Conecte bien el enchufe al tomacorriente. No utilice enchufes o cables de alimentación dañados ni enchufes de pared flojos.
  - Esto podría causar una descarga eléctrica o un incendio.
- Únicamente un técnico calificado o compañía de reparaciones debe estar autorizado para cambiar el fusible del refrigerador.
  - No seguir esta recomendación, podría causar una descarga eléctrica o lesiones.



---

## Precauciones para la instalación

---

### PRECAUCIÓN

- Deje espacio suficiente alrededor del refrigerador e instálelo sobre una superficie plana.
  - Mantenga libre de obstáculos el espacio de ventilación en el gabinete o la estructura de montaje del electrodoméstico.
- Una vez que haya instalado el refrigerador y lo haya encendido, permita que funcione durante 2 horas antes de cargarlo con alimentos.
- Se recomienda que el refrigerador sea instalado por un técnico calificado o una compañía de servicios.
  - No seguir esta recomendación puede causar descargas eléctricas, incendios, explosiones, problemas con el producto o lesiones.
- Sobrecargar una de las puertas puede ocasionar la caída del refrigerador y provocar lesiones personales.

## Advertencias muy importantes para el uso

---

### ADVERTENCIA

- No conecte el enchufe en un tomacorriente con las manos mojadas.
  - Esto podría causar una descarga eléctrica.
- No coloque objetos en la parte superior de la unidad.
  - Cada vez que abra o cierre la puerta, estos podrían caerse y provocar lesiones personales o daños materiales.
- No coloque las manos, los pies ni objetos metálicos (tales como palillos chinos, etc.) en la parte inferior o posterior del refrigerador.
  - Esto podría causar una descarga eléctrica o lesiones personales.
  - Algunos bordes filosos podrían provocar lesiones personales.
- No toque las paredes internas del congelador ni los productos almacenados en este con las manos mojadas.
  - Esto puede provocar quemaduras por frío.
- No coloque un recipiente con agua sobre el refrigerador.
  - Si se derrama, existe el riesgo de que se produzca un incendio o una descarga eléctrica.
- No almacene sustancias u objetos volátiles o inflamables (benceno, solvente, gas propano, alcohol, éter, gas LP ni cualquier otro producto de este tipo) en el refrigerador.
  - Este refrigerador se debe utilizar solo para almacenar alimentos.
  - Esto podría causar un incendio o una explosión.



# Información sobre seguridad

---

- Se deberá vigilar a los niños para asegurarse de que no jueguen con el electrodoméstico.
  - Aleje los dedos de los puntos de agarre. Los espacios entre las puertas y el gabinete son inevitablemente pequeños. Abra las puertas con cuidado si hay niños cerca.
- No permita que los niños se cuelguen de la puerta ni de los compartimientos de la puerta. Pueden producirse lesiones graves.
- No permita que los niños ingresen al refrigerador. Podrían quedar atrapados.
- No coloque las manos debajo del electrodoméstico.
  - Es posible que algunas puntas filosas le provoquen lesiones.
- No almacene en el refrigerador productos farmacéuticos, materiales científicos ni productos sensibles a la temperatura.
  - No se deben almacenar productos que requieran controles estrictos de temperatura.
- No coloque ni utilice aparatos eléctricos dentro del refrigerador/congelador, a menos que sean del tipo recomendado por el fabricante.
- En caso de sentir olor a humo, desconecte el enchufe de inmediato y comuníquese con el centro de servicio de Dacor.
- Si ingresaran grandes cantidades de polvo o agua al refrigerador, desenchufe el cable de alimentación y comuníquese con el centro de servicio de Dacor.
  - Si no lo hace, existe el riesgo de que se produzca un incendio.
- No permita que los niños se paren sobre un cajón.
  - El cajón se puede romper y los niños pueden caerse.
- No deje las puertas del refrigerador abiertas si el refrigerador no está siendo vigilado y no permita que los niños ingresen en el refrigerador.
- No permita que los bebés ni los niños ingresen al cajón.
  - Esto puede provocar muerte por asfixia debido al encierro o lesiones personales.
- No sobrecargue el refrigerador con comida.
  - Cuando abra la puerta, algún elemento podría caerse y provocar lesiones personales o daños materiales.
- No pulverice material volátil, tal como un insecticida, sobre la superficie del electrodoméstico.
  - Además de ser perjudicial para los seres humanos, puede causar una descarga eléctrica, un incendio o problemas con el producto.
- Nunca coloque los dedos ni otros objetos en el orificio del dispensador de agua, en el recipiente de hielo o en la cubeta de la fábrica de hielo.
  - Esto puede provocar lesiones personales o daños materiales.
- No utilice ni coloque ninguna sustancia sensible a la temperatura, tales como pulverizadores inflamables, objetos inflamables, hielo seco, medicamentos o productos químicos, cerca o dentro del refrigerador.
- No utilice un secador de cabello para secar el interior del refrigerador. No coloque velas encendidas en el refrigerador para eliminar los malos olores.
  - Esto podría causar una descarga eléctrica o un incendio.



- Llene el tanque de agua y la charola para el hielo solamente con agua potable (agua de la llave, agua mineral o agua purificada).
  - No llene el tanque con té, jugo ni bebidas isotónicas. Pueden dañar el refrigerador.
- No se pare sobre el electrodoméstico ni le coloque objetos encima (tales como ropa, velas o cigarrillos encendidos, platos, productos químicos, objetos metálicos, etc.). Esto podría causar una descarga eléctrica, un incendio, problemas con el producto o lesiones. No coloque un recipiente con agua sobre el electrodoméstico.
  - Si se derrama, existe el riesgo de que se produzca un incendio o una descarga eléctrica.
- No mire fijamente la lámpara LED UV durante mucho tiempo.
  - Los rayos ultravioletas podrían dañarle la visión.
- No coloque el estante del refrigerador al revés. El tope del estante no funcionará.
  - El estante de vidrio puede caerse y provocar lesiones.
- Aleje los dedos de los puntos de agarre. Los espacios entre las puertas y el gabinete son inevitablemente pequeños. Abra las puertas con cuidado si hay niños cerca.
- Si se detecta una fuga de gas, evite las llamas o posibles fuentes de ignición y ventile durante varios minutos la habitación en la que se encuentra el electrodoméstico.
  - No toque el electrodoméstico ni el cable de alimentación.
  - No utilice un ventilador.
  - Una chispa puede provocar una explosión o un incendio.
- Utilice solamente lámparas LED proporcionadas por el fabricante o sus agentes de servicio técnico.
- Las botellas se deben almacenar una junto a otra de manera tal que no se tumben ni se caigan.
- Este producto se debe utilizar solo para almacenar alimentos en un entorno doméstico.
- No intente reparar, desensamblar ni modificar el refrigerador por su cuenta.
  - Las modificaciones que no han sido autorizadas pueden provocar problemas de seguridad. Para revertir una modificación no autorizada, cobraremos el costo completo de las piezas y mano de obra.
- No utilice ningún fusible (tales como los de alambres de acero, de cobre, etc.) que no sea un fusible estándar.
- Si es necesario reparar o volver a instalar el refrigerador, comuníquese con su centro de servicio de Dacor más cercano.
  - No seguir esta recomendación puede causar una descarga eléctrica, un incendio, problemas con el producto o lesiones.
- Si la lámpara LED interior o exterior se apagó, comuníquese con su centro de servicio de Dacor más cercano.
- En caso de sentir olor a quemado o ver humo en el refrigerador, desenchúfelo de inmediato y comuníquese con un centro de servicio de Dacor.
  - No seguir esta recomendación podría causar una descarga eléctrica o un incendio.
- Desenchufe el refrigerador antes de cambiar las lámparas internas.
  - Si no lo hace, existe el riesgo de que se produzca una descarga eléctrica.



# Información sobre seguridad

---

- Si le resulta difícil cambiar una luz que no sea de LED, comuníquese con un centro de servicio de Dacor.
- Si el producto cuenta con lámparas LED, no desensamble las cubiertas de la lámpara y las lámparas LED usted mismo.
  - Comuníquese con un centro de servicio de Dacor.
- Conecte bien el enchufe al tomacorriente.
- No utilice enchufes o cables de alimentación dañados ni enchufes de pared flojos.
  - Esto podría causar una descarga eléctrica o un incendio.

## Precauciones de uso

---

### **PRECAUCIÓN**

- No vuelva a congelar alimentos que se hayan descongelado completamente.
- Utilice solamente la fábrica de hielo del refrigerador.
- Para obtener el mejor desempeño del producto:
  - No coloque alimentos muy cerca de las rejillas de ventilación en la parte posterior del refrigerador, ya que pueden obstruir la libre circulación del aire en el compartimiento del refrigerador.
  - Envuelva los alimentos adecuadamente o colóquelos en recipientes herméticos antes de almacenarlos en el refrigerador.
  - Cumpla con los tiempos máximos de almacenamiento y las fechas de vencimiento de los alimentos congelados.
- No coloque recipientes ni botellas de vidrio ni bebidas carbonatadas en el congelador.
  - El recipiente puede congelarse y romperse, y esto puede ocasionar lesiones.
- Garantía de servicio y modificación.
  - El servicio de garantía de Dacor no cubre los cambios o las modificaciones realizadas por un tercero a este electrodoméstico; Dacor tampoco es responsable de los problemas relacionados con la seguridad que puedan surgir a causa de modificaciones hechas por terceros.
- No obstruya las rejillas de ventilación dentro del refrigerador.
  - Si las rejillas de ventilación están tapadas, en particular con una bolsa de plástico, el refrigerador se puede sobrecongelar. Si el período de enfriamiento es demasiado prolongado, el filtro de agua puede romperse y provocar fugas de agua.
- Si se desconecta el refrigerador del suministro de energía, espere al menos cinco minutos antes de volver a enchufarlo.
- Si ingresaran grandes cantidades de agua al refrigerador, desenchúfelo y comuníquese con un centro de servicio de Dacor.
- No golpee ni aplique una fuerza excesiva sobre ninguna superficie de vidrio.
  - Un vidrio roto puede causar lesiones personales o daños materiales.



- Llene el tanque de agua y la charola para el hielo solamente con agua potable (agua de la llave, agua mineral o agua purificada).
  - No llene el tanque con té, jugo ni bebidas isotónicas. Pueden dañar el refrigerador.
- Si el refrigerador se inunda, desconecte la alimentación del refrigerador y comuníquese con el centro de servicio de Dacor más cercano.
  - Existe el riesgo de que se produzca una descarga eléctrica o un incendio.
- No guarde aceite vegetal en los compartimientos de la puerta del refrigerador. El aceite puede solidificarse, y modificar su sabor y la facilidad de uso. Asimismo, el envase abierto puede gotear y el aceite vertido puede causar grietas en el compartimiento de la puerta. Una vez abierto un envase de aceite, es mejor almacenarlo en un lugar fresco y a la sombra, como un armario o alacena.
  - Ejemplos de aceite vegetal: aceite de oliva, de maíz, de semilla de uva, etc.

## Precauciones para la limpieza

### PRECAUCIÓN

- No pulverice con agua directamente dentro o fuera del refrigerador.
  - Existe el riesgo de que se produzca un incendio o una descarga eléctrica.
- No utilice un secador de cabello para secar el interior del refrigerador.
- No coloque velas encendidas en el refrigerador para eliminar los malos olores.
  - Esto podría causar una descarga eléctrica o un incendio.
- No rocíe productos de limpieza directamente sobre el visor.
  - Las letras impresas en el visor pueden borrarse.
- Si cualquier sustancia extraña, como agua, ingresa en el refrigerador, desenchúfelo y comuníquese con su centro de servicio de Dacor más cercano.
  - No seguir esta recomendación podría causar una descarga eléctrica o un incendio.
- Use un paño seco y limpio para retirar cualquier sustancia extraña o polvo de las clavijas del enchufe. No utilice un paño mojado ni húmedo para limpiar el enchufe.
  - De lo contrario, existe el riesgo de que se produzca un incendio o una descarga eléctrica.
- No limpie el refrigerador rociando agua directamente sobre él.
- No limpie el refrigerador con benceno, disolvente o Clorox (blanqueador).
  - Pueden dañar la superficie del refrigerador y provocar un incendio.
- Nunca coloque los dedos ni otros objetos en la salida del dispensador.
  - Puede provocar lesiones personales o daños materiales.
- Antes de limpiar o realizar el mantenimiento, desenchufe el refrigerador del enchufe de pared.
  - No seguir esta recomendación podría causar una descarga eléctrica o un incendio.
- Utilice una esponja limpia o un paño suave y un detergente neutro disuelto en agua templada para limpiar el refrigerador.



# Información sobre seguridad

---

- No utilice limpiadores abrasivos ni muy fuertes, como limpiacristales, limpiadores corrosivos, líquidos inflamables, ácido clorhídrico, ceras limpiadoras, detergentes concentrados, blanqueadores o limpiadores que contengan petróleo en las superficies externas (puertas y paneles), piezas de plástico, revestimientos de puertas e interiores y juntas.
  - Pueden rayar o dañar el material.
- No limpie con agua caliente los estantes o las cubiertas de vidrio cuando estén fríos. Los estantes y las cubiertas de vidrio pueden romperse si se exponen a cambios bruscos de temperatura o a impactos como golpes o caídas.

## Advertencias muy importantes para la eliminación de residuos

---

### **ADVERTENCIA**

- Si algún niño queda atrapado dentro del refrigerador, puede lastimarse o asfixiarse hasta morir.
- Deseche el material de empaque de este producto de forma tal que no resulte nocivo para el medio ambiente.
- Asegúrese de que ninguno de los tubos que se encuentran en la parte trasera del refrigerador estén dañados antes de desecharlos.
- Este producto contiene R-600a, un gas inflamable, que se utiliza como refrigerante. Comuníquese con las autoridades locales para desechar este producto de manera segura.
- Cuando deseche este refrigerador, retire los burletes y los pestillos de las puertas de manera tal que los niños pequeños o los animales no puedan quedar atrapados en el interior. Se deberá vigilar a los niños para asegurarse de que no jueguen con el electrodoméstico.
  - Si quedan atrapados dentro, los niños pueden lesionarse o sofocarse hasta morir.
- Se utiliza ciclopentano como aislante. Los gases del material de aislamiento requieren un procedimiento especial para desecharlos. Comuníquese con las autoridades locales para desechar este producto de manera que no resulte nocivo para el medio ambiente.
- Mantenga los materiales de empaque fuera del alcance de los niños, ya que pueden ser peligrosos para ellos.
  - Si un niño se coloca una bolsa en la cabeza, puede asfixiarse.





# Instalación

---

Siga las instrucciones cuidadosamente a fin de garantizar la instalación adecuada del refrigerador y de evitar accidentes antes de utilizarlo.

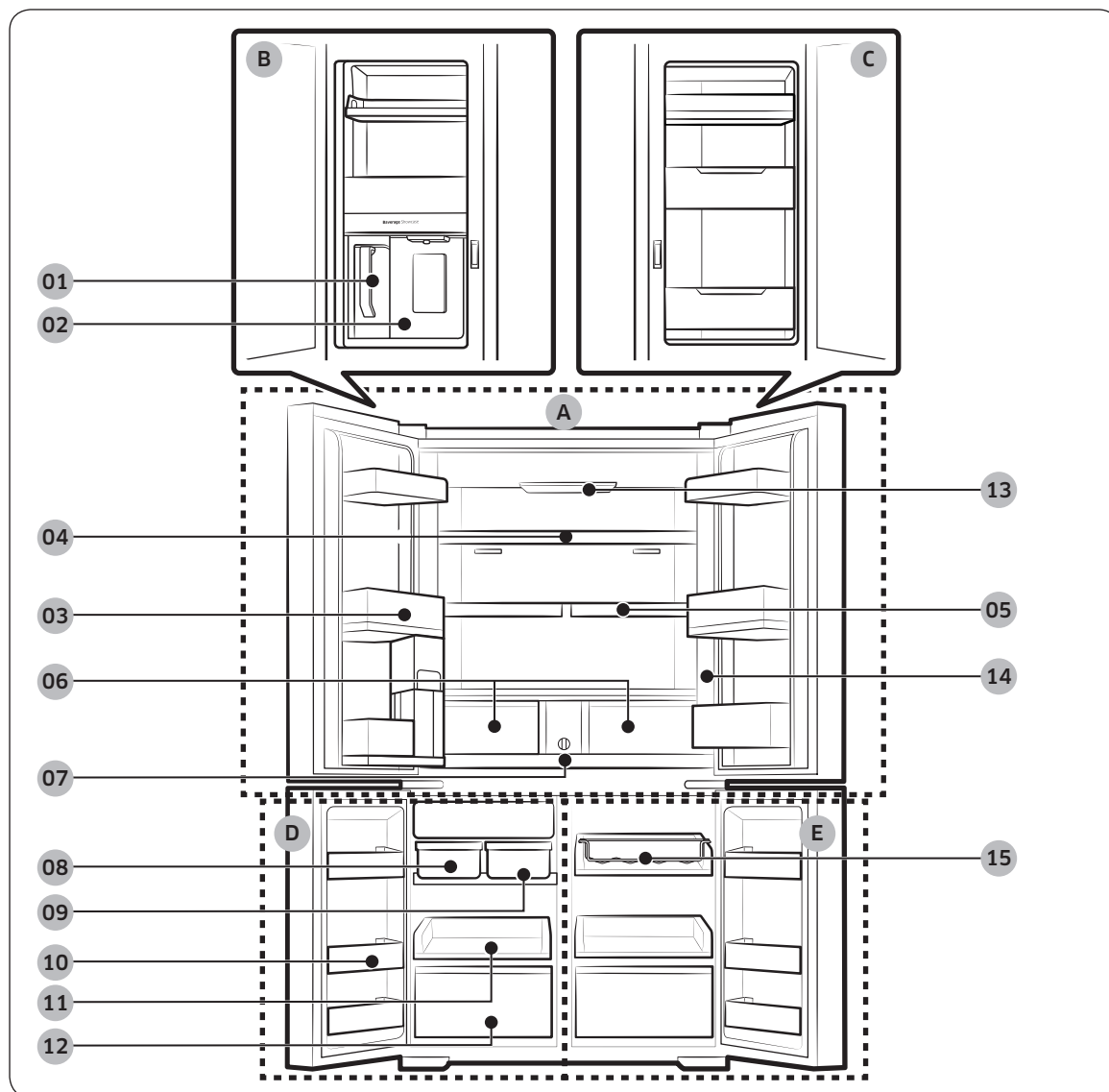
## **ADVERTENCIA**

- Utilice el refrigerador solamente para su uso previsto como se describe en este manual.
- Todas las reparaciones deben estar a cargo de un técnico calificado.
- Descarte el material de empaque del producto de acuerdo con la normativa local.
- A fin de evitar descargas eléctricas, desconecte el enchufe antes de realizar trabajos de mantenimiento o reemplazo de piezas.

# Instalación

## Descripción breve del refrigerador

El refrigerador y los componentes provistos pueden diferir de las ilustraciones en este manual según el modelo y el país.



- 
- |    |  |    |                      |
|----|--|----|----------------------|
| 01 | Llenado automático de la jarra   | A. | Refrigerador         |
| 02 | Dispensador de agua  | B. | Centro de bebidas    |
| 03 | Compartimiento de la puerta del refrigerador                           | C. | Puerta de exhibición |
| 04 | Estante del refrigerador   | D. | Congelador           |
| 05 | Estante espacio rápido   | E. | FlexZone             |
| 06 | Cajón para vegetales+/ Cajón flex para vegetales                       |    |                      |
| 07 | Filtro de agua   |    |                      |
| 08 | Fábrica de hielo automática - Hielo en cubos *<br>(Fábrica de hielo *) |    |                      |
| 09 | Fábrica de hielo automática - Trozos de hielo                          |    |                      |
| 10 | Compartimiento de la puerta del congelador                             |    |                      |
| 11 | Estante del congelador   |    |                      |
| 12 | Cajón del congelador   |    |                      |
| 13 | Filtro desodorizante UV  |    |                      |
| 14 | Panel de control   |    |                      |
| 15 | Estante para vinos   |    |                      |

\* solo para los modelos correspondientes

#### **NOTA**

- Para una mayor eficiencia energética, asegúrese de que todos los estantes, cajones y canastos estén en su posición original.
- Al cerrar la puerta, asegúrese de que la sección de la bisagra vertical se encuentre en la posición correcta para impedir que se raye con la otra puerta.
- Si la sección de la bisagra vertical está invertida, colóquela en la posición correcta y cierre la puerta.
- Algunas veces puede aparecer humedad en esta sección de la bisagra vertical.
- Si cierra una puerta por la fuerza, la otra puerta puede abrirse.
- Si la lámpara LED interna o externa no funciona, comuníquese con un centro de servicio local de Dacor.

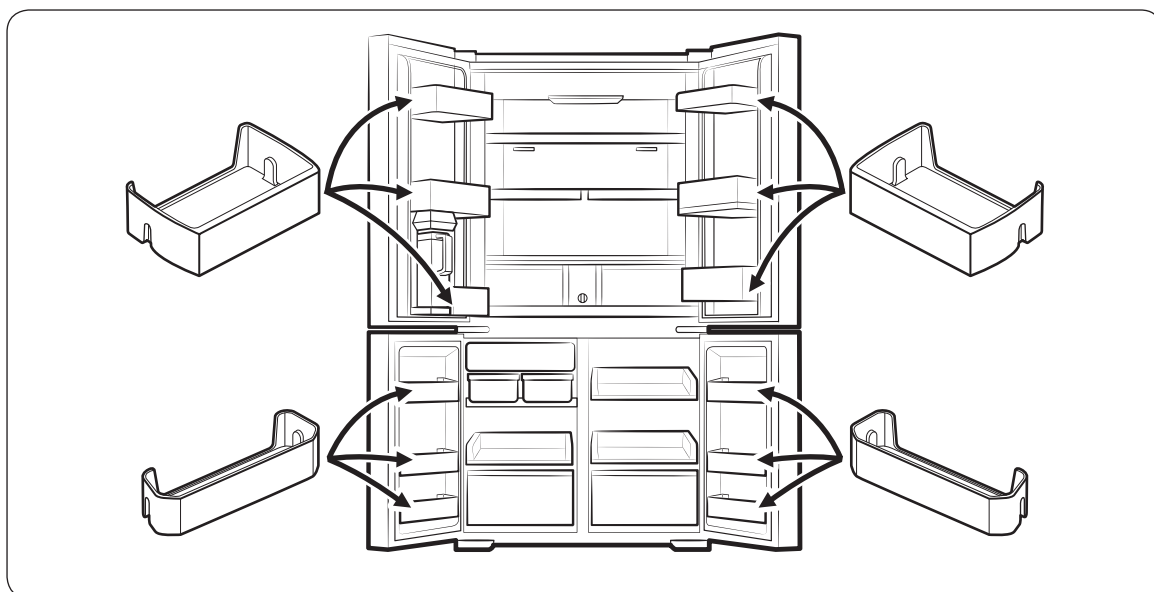
# Instalación

## Compartimientos de las puertas

Su refrigerador se despacha con compartimientos de las puertas de distintos tipos y tamaños. Si los compartimientos de su refrigerador se embalaron por separado, utilice la siguiente figura como guía para colocarlos correctamente.

### **NOTA**

El refrigerador y los componentes provistos pueden diferir de las ilustraciones en este manual según el modelo y el país.



## Instalación paso a paso

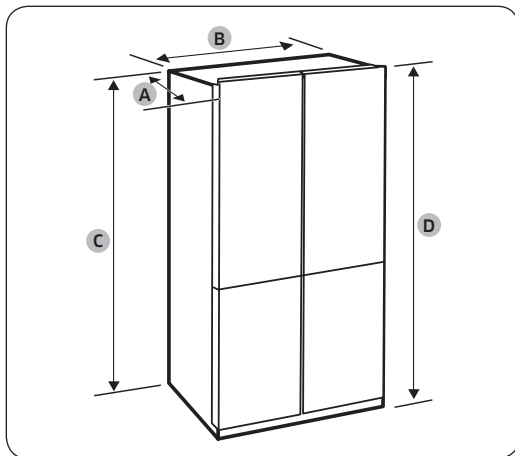
### PASO 1 Seleccione un lugar

El lugar debe:

- Tener una superficie sólida, nivelada y sin alfombrado ni pisos que puedan obstruir la ventilación
- Estar fuera del alcance de la luz solar directa
- Contar con espacio suficiente para abrir y cerrar la puerta
- Estar alejado de las fuentes de calor
- Contar con lugar para realizar mantenimiento y reparaciones
- Contar con un rango de temperatura de entre 50 °F (10 °C) y 110 °F (43 °C)

#### Espacio libre

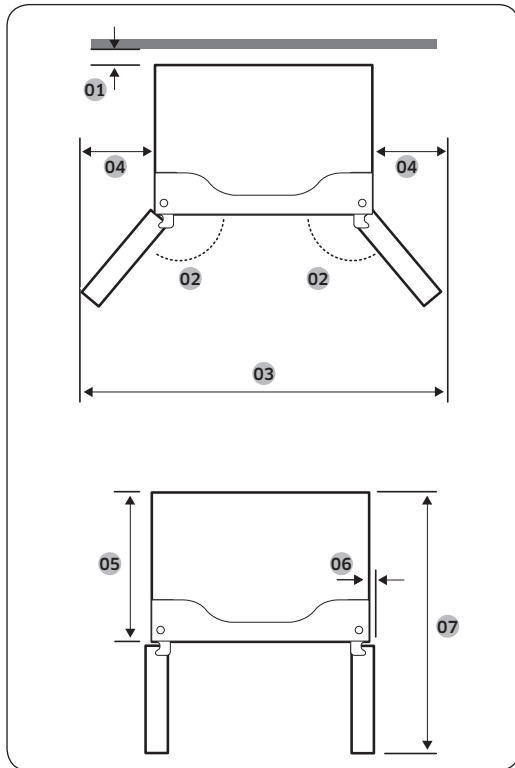
Consulte las siguientes cifras y tablas para conocer los requisitos de espacio para la instalación.



A	28 1/2" (723 mm)
B	35 7/8" (912 mm)
C	70 3/4" (1797 mm)
D	71 7/8" (1825 mm)

- A. Profundidad
- B. Ancho
- C. Altura (sin bisagra)
- D. Altura total

# Instalación



01	se recomienda más de 2" (50 mm)
02	125°
03	58" (1472 mm)
04	11 1/8" (282 mm)
05	24" (610 mm)
06	1 7/8" (47 mm)
07	43" (1093 mm)

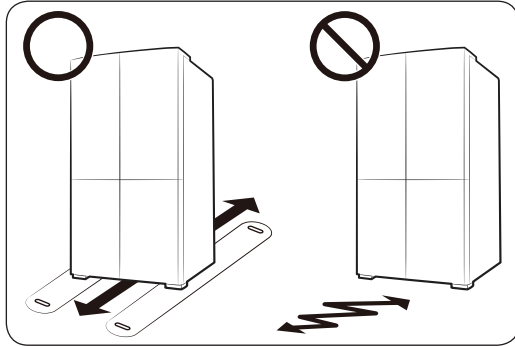
Instalación

## NOTA

Las medidas de las tablas pueden variar ligeramente de las medidas reales según el método de medición y redondeo.

## PASO 2 Piso

Si el refrigerador no pasa por la puerta por su tamaño, consulte PASO 3 Extracción de la puerta para la entrada.



### NOTA

Para evitar que se dañe el piso, asegúrese de que las patas de nivelación delanteras estén en posición vertical.

- La superficie sobre la que se instalará el refrigerador debe soportar un refrigerador completamente cargado.
- A fin de proteger el piso, coloque un trozo de cartón por el recorrido del refrigerador hasta su ubicación final.
- Una vez que el refrigerador esté en su posición final, no lo mueva a menos que sea necesario a fin de proteger el piso. Si debe hacerlo, utilice un papel grueso o tela, como una alfombra vieja, en el recorrido por el que se lo desplazará.

# Instalación

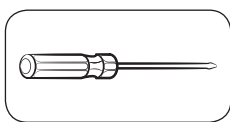
## PASO 3 Extracción de la puerta para la entrada

Si el refrigerador no pasa por la entrada de su casa o de la cocina por una cuestión de tamaño, siga estas instrucciones para extraer y colocar nuevamente las puertas del refrigerador. Si no necesita retirar las puertas, vaya a la página 32 para continuar con el procedimiento de instalación.

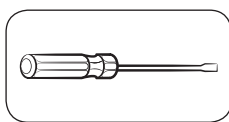
### **ADVERTENCIA**

Desenchufe el cable de alimentación del refrigerador antes de retirar las puertas.

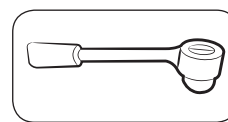
Herramientas necesarias (no provistas)



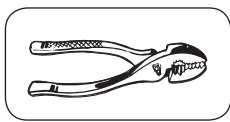
Destornillador Phillips



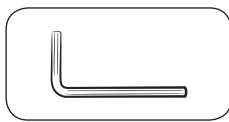
Destornillador de cabeza plana



Llave de tubo de 3/8" (10 mm)

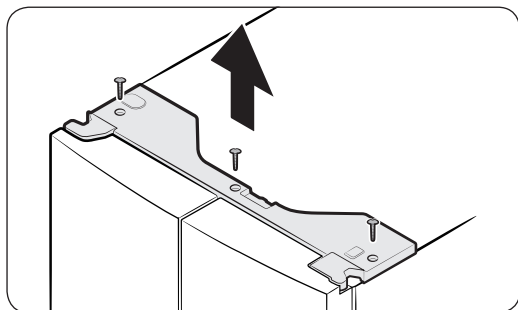


Pinzas



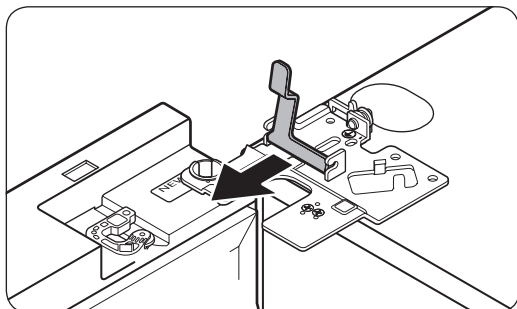
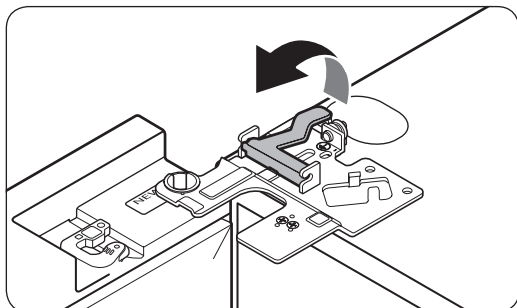
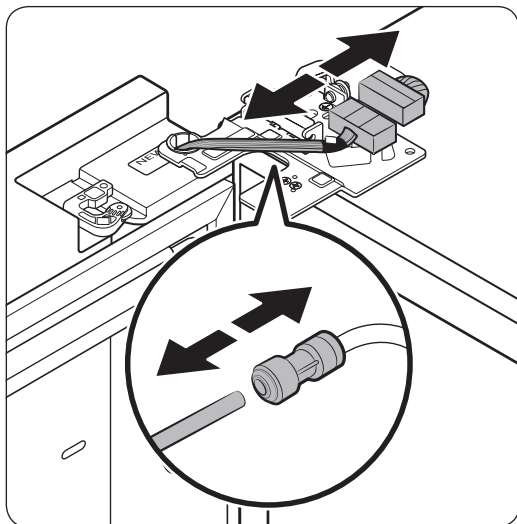
Llave Allen de 1/4" (5 mm)

Retire las puertas del refrigerador



1. Con las puertas cerradas, utilice un destornillador Phillips para extraer los tornillos (x3) de la cubierta superior. Levante y retire la cubierta superior con los conectores.





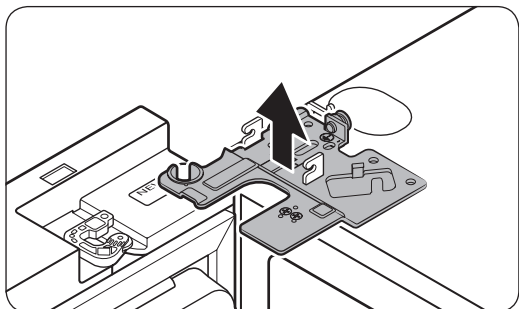
2. Desconecte los dos conectores de cables de la puerta izquierda. La posición de los conectores varía entre modelos.

**⚠ PRECAUCIÓN**

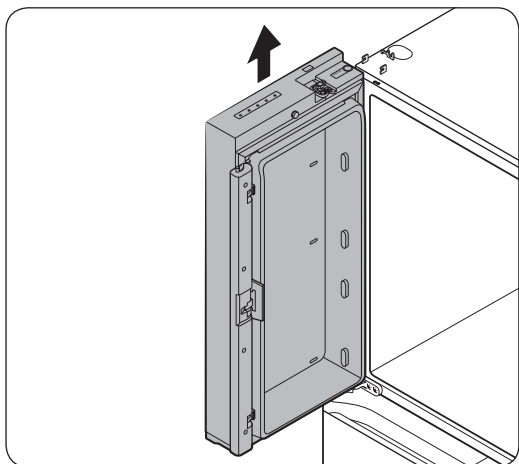
- No retire ambas puertas simultáneamente. Asegúrese de retirar una puerta por vez. De lo contrario, alguna podría caerse y provocar lesiones.
  - Asegúrese de que el refrigerador esté apagado antes de desconectar los conectores.
3. Desconecte el tubo de agua del acoplador en la puerta izquierda como se muestra.
    - Este paso no aplica a los modelos sin la función de Llenado automático de la jarra y el dispensador de agua.
  4. Levante suavemente la abrazadera en varios pasos. A fin de evitar lesiones en los dedos, no aplique una fuerza repentina sobre la abrazadera.

5. Jale la abrazadera hacia arriba para retirarla.

# Instalación



6. Abra la puerta a 90 grados. Mientras sostiene la puerta, levante y retire la bisagra superior. Tenga cuidado de no dañar los cables de los conectores al retirar la bisagra.

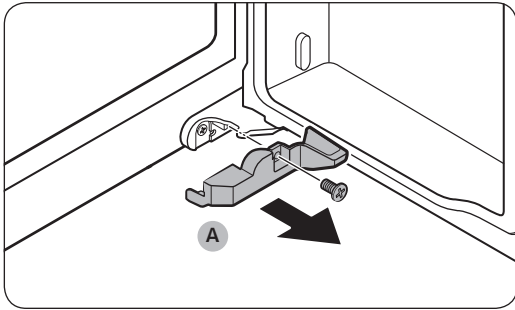


7. Levante suavemente la puerta en sentido vertical para retirarla. No use fuerza excesiva. La puerta puede caerse y provocarle lesiones.
8. Coloque la puerta en una superficie plana.
9. Repita los pasos 1 a 8 para la otra puerta, excepto el paso 3. La puerta derecha no tiene tubo de agua.
  - El paso 2 no aplica a los modelos sin puerta de exhibición.

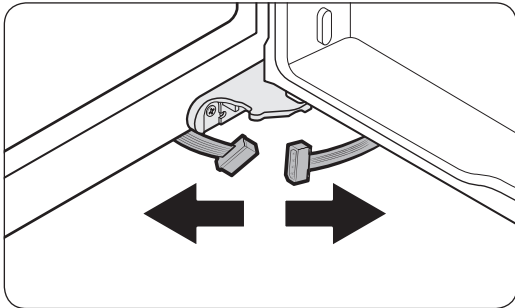
## Retire las puertas del congelador

### PRECAUCIÓN

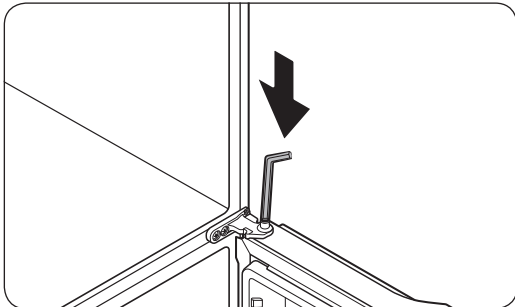
- Asegúrese de retirar las puertas del refrigerador antes de retirar las del congelador.
- Tenga cuidado al desconectar los conectores inferiores.



1. Abra la puerta del congelador.
2. Con un destornillador Phillips, extraiga el tornillo que sujeta la **cubierta (A)**.
  - Este paso solo aplica a la puerta derecha del congelador (puerta de FlexZone).

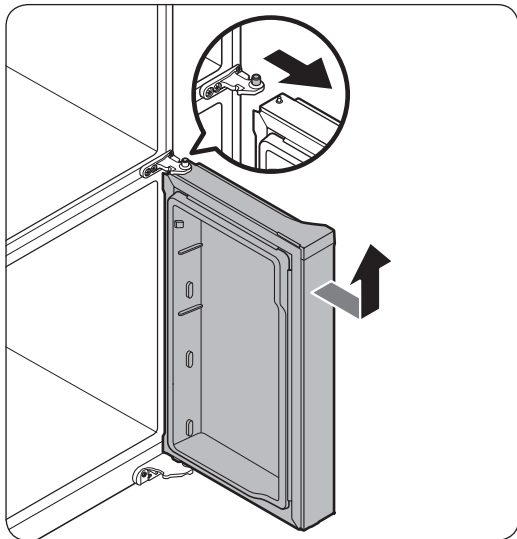


3. Desconecte los conectores de cables.
  - Este paso solo aplica a la puerta derecha del congelador (puerta de FlexZone).



4. Ubique el eje de la bisagra. Mientras sostiene la puerta con una mano, utilice un destornillador plano o una llave Allen para presionar el eje hacia abajo. Asegúrese de sostener la puerta para evitar que se caiga.

# Instalación

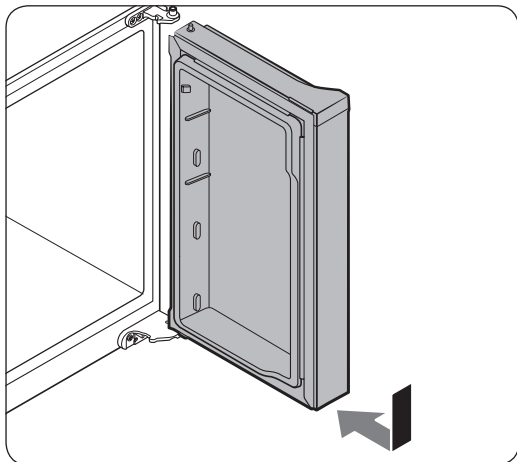


5. Para evitar el contacto con la bisagra del medio, incline levemente la puerta hacia el frente y, luego, levántela para retirarla.
6. Repita los pasos 1 a 5 para la otra puerta, excepto los pasos 2 y 3.

Para volver a colocar las puertas del congelador

## ⚠ PRECAUCIÓN

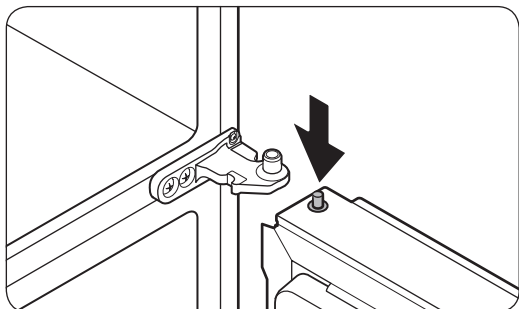
- Las puertas del congelador deben volver a colocarse antes las puertas del refrigerador.
- Tenga cuidado de no dañar ni pisar los cables durante este proceso.



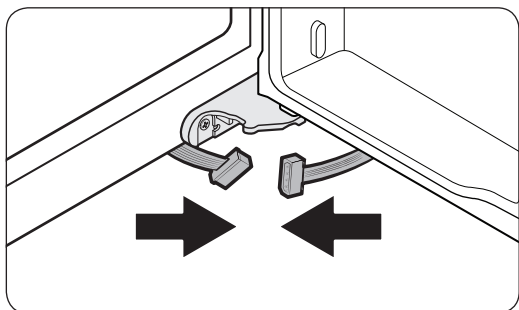
1. Inserte la puerta del congelador en la bisagra inferior mientras empuja la puerta en la dirección de la flecha.

## ⚠ PRECAUCIÓN

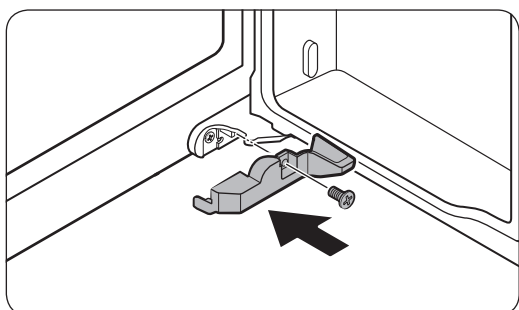
- Tenga cuidado de no dañar ni pisar los cables durante este proceso.



2. Mientras mantiene presionado el eje de la bisagra, coloque la puerta de manera que el eje quede por debajo del orificio del eje de la bisagra del medio. Suelte el eje de la bisagra para que entre en el orificio.



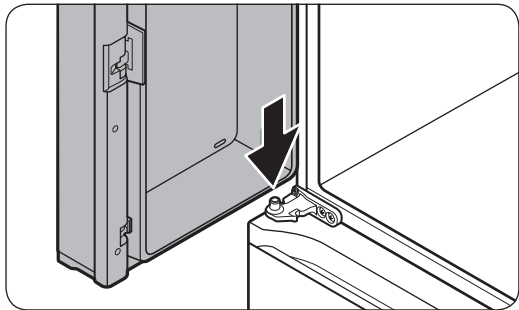
3. Con la puerta abierta, conecte los conectores inferiores en las direcciones de las flechas.
  - Este paso solo aplica a la puerta derecha del congelador (puerta de FlexZone).



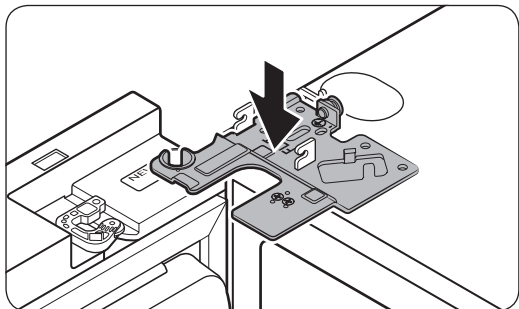
4. Coloque la cubierta con un destornillador Phillips. Tenga cuidado de no dañar ni pisar los conectores.
  - Este paso solo aplica a la puerta derecha del congelador (puerta de FlexZone).
5. Repita los pasos 1 a 5 para la otra puerta, excepto los pasos 3 y 4.

# Instalación

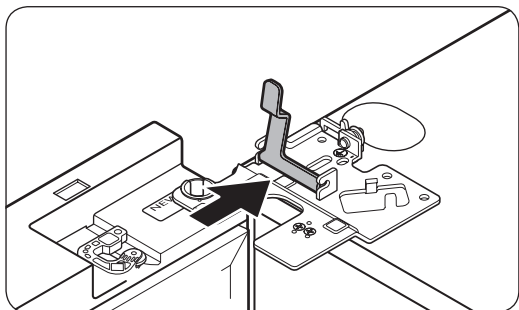
Para volver a colocar las puertas del refrigerador



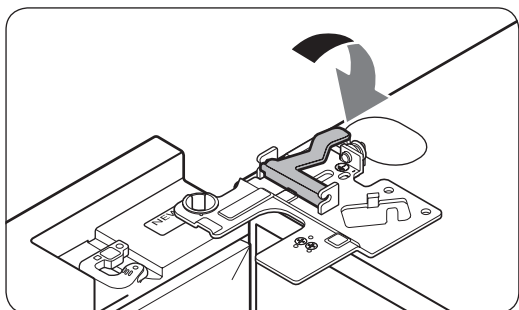
1. Mientras sostiene la puerta abierta a más de 90 grados, inserte el eje de la bisagra del medio en el orificio de la parte inferior de la puerta.



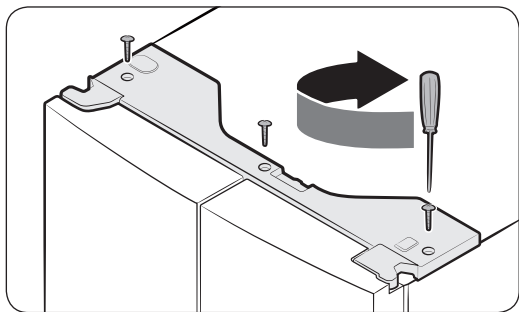
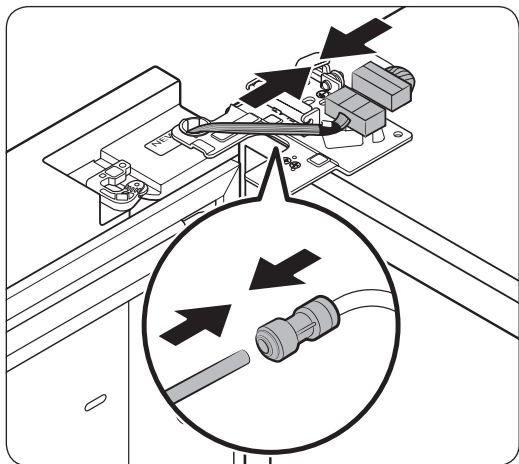
2. Coloque la bisagra superior en su posición en la parte de arriba del refrigerador y, luego, inserte el eje de la bisagra en el orificio superior de la puerta. Asegúrese de que los cables de la puerta pasen a través del orificio del eje de la bisagra.



3. Inserte la abrazadera en la dirección de la flecha.



4. Lleve la abrazadera hacia atrás como se ilustra.



5. Conecte los conectores de cables.

**⚠ PRECAUCIÓN**

- Asegúrese de que los conectores de cables estén bien conectados. De lo contrario, el visor no funcionará.

6. Conecte el tubo de agua.

- Este paso no aplica a los modelos sin la función de Llenado automático de la jarra y el dispensador de agua.

**⚠ PRECAUCIÓN**

- Para evitar fugas de agua, asegúrese de que las grapas rojas ajusten el acoplador adecuadamente.
- Mantenga las grapas fuera del alcance de los niños.

7. Repita los pasos 1 a 5 para la otra puerta.

- El paso 5 no aplica a los modelos sin puerta de exhibición.

8. Coloque la cubierta superior con el lado frontal primero y, luego, presione la parte posterior hasta alcanzar su posición. Luego, ajuste los tornillos (x3).

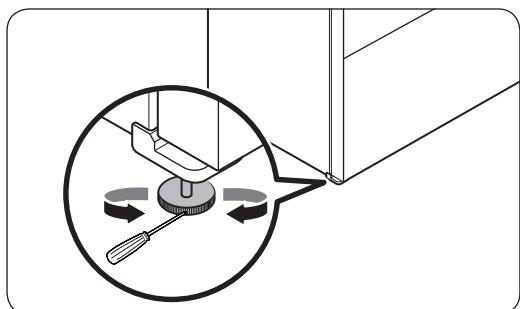
# Instalación

## PASO 4 Nivelación del refrigerador

### ⚠ PRECAUCIÓN

- Una vez instalado, el refrigerador debe estar nivelado sobre un piso plano y sólido. No nivelar el refrigerador puede provocar daños al refrigerador o lesiones personales.
- La nivelación debe realizarse con el refrigerador vacío. Asegúrese de que no haya alimentos dentro del refrigerador.
- Por razones de seguridad, ajuste la parte delantera un poco más elevada que la parte trasera.

Nivele el refrigerador usando los tornillos especiales (niveladores) en las patas delanteras. Use un destornillador plano para girar los niveladores.

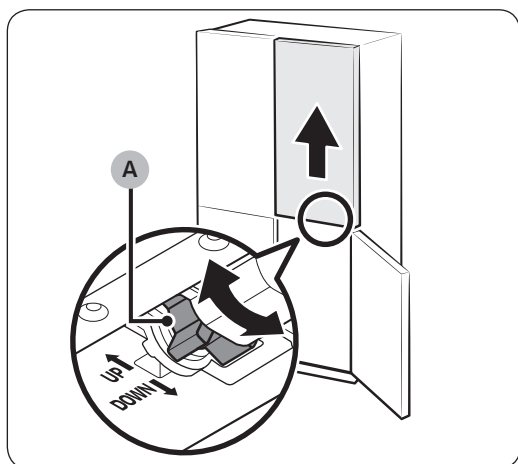
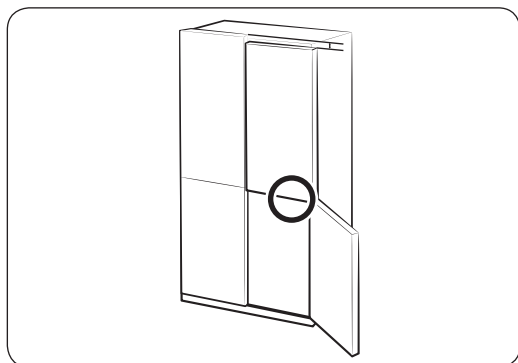


- Para ajustar la altura del lado izquierdo: Inserte un destornillador plano en el nivelador de la pata delantera del lado izquierdo. Gire el nivelador en el sentido de las agujas del reloj para elevar el lado izquierdo o en el sentido contrario para bajarlo.
- Para ajustar la altura del lado derecho: Inserte un destornillador plano en el nivelador de la pata delantera del lado derecho. Gire el nivelador en el sentido de las agujas del reloj para elevar el lado derecho o en el sentido contrario para bajarlo.



## PASO 5 Ajustar la altura de la puerta

Cómo usar la palanca de ajuste de altura (solo para los modelos correspondientes)

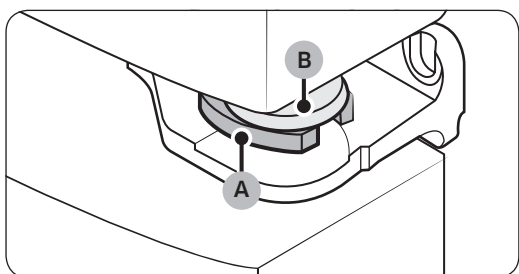
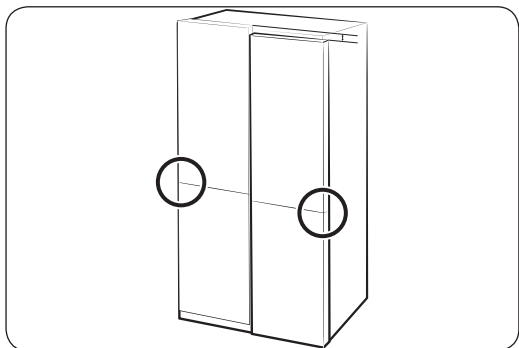
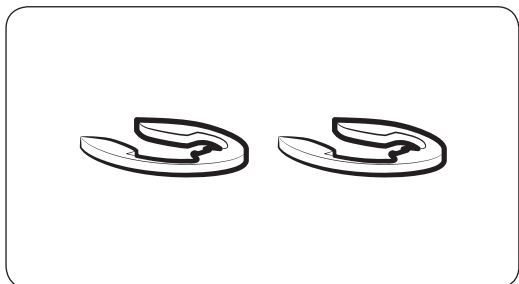


- Antes de alinear la altura de la puerta, asegúrese de que el refrigerador esté nivelado. Para ello, utilice las patas de nivelación.
- Puede usar la palanca de ajuste de altura en la parte inferior de la puerta derecha del refrigerador. Abra la puerta derecha del congelador con ambas puertas del refrigerador cerradas y use la palanca para ajustar la altura de la puerta.
- Gire la **palanca de ajuste de altura (A)** hasta que las dos puertas estén alineadas en la parte superior. Gire la palanca hacia la posición UP (ARRIBA) (como está marcado) para levantar la puerta derecha, y gírela hacia la posición DOWN (ABAJO) (como está marcado) para bajar la puerta.
- Levante ligeramente la puerta del refrigerador para facilitar la alineación. La altura máxima ajustable es de 3 mm.
  - La palanca no superará el límite máximo de giros. Podría hacer ruido si se la gira demasiado.
  - Una altura excesiva podría interferir con la cubierta de la bisagra superior de la puerta del refrigerador.
- Si alinea la altura de la puerta con los compartimientos vacíos y, luego, almacena artículos en ellos, las alturas podrían volver a diferir. Si esto sucede, siga los pasos anteriores para volver a alinear las puertas.

# Instalación

## Cómo ajustar la altura con los anillos elásticos

Para los modelos con palanca de ajuste de altura en la puerta derecha del refrigerador, use los anillos elásticos solo si no puede alinear las puertas con la palanca.



### NOTA

Es posible ajustar la altura de la puerta con los anillos elásticos provistos que vienen en 4 tamaños diferentes (1 mm, 1.5 mm, 2 mm y 2.5 mm).

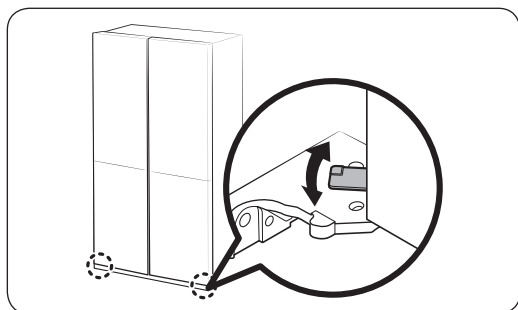
1. Controle la diferencia de altura entre las puertas y luego eleve y sostenga la puerta más baja.
2. Inserte un anillo elástico (A) del tamaño adecuado entre el anillo de caucho (B) de la puerta y la bisagra como se ilustra.

### PRECAUCIÓN

- Inserte solo un anillo elástico. Colocar dos o más anillos elásticos puede hacer que se deslicen o hagan ruido por el rozamiento.
- Mantenga los anillos elásticos fuera del alcance de los niños y consérvelos para uso futuro.
- No eleve la puerta en demasía. La puerta puede entrar en contacto y dañar la cubierta superior.

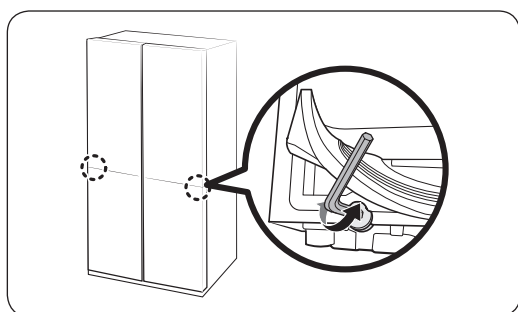


### Ajuste de la altura de la puerta del congelador (solo para los modelos correspondientes)



- Antes de alinear la altura de la puerta, asegúrese de que el refrigerador esté nivelado. Para ello, utilice las patas de nivelación.
- Puede ajustar la altura de ambas puertas del congelador con la palanca ubicada en la bisagra inferior.
- Abra la puerta, levántela un poco y, luego, gire la palanca hacia la izquierda o la derecha para ajustar la altura.

### Ajuste de la holgura entre las puertas del refrigerador y el cuerpo principal (solo para los modelos correspondientes)



- Es posible ajustar la holgura entre ambas puertas del refrigerador y el cuerpo principal mediante el perno de ajuste ubicado en la parte inferior del compartimiento del refrigerador.
- Levante la junta de la puerta y ubique el perno de ajuste debajo de la junta. Utilice la llave Allen de 4 mm para ajustar la holgura.

#### **⚠ PRECAUCIÓN**

Asegúrese de fijar con firmeza la junta. De lo contrario, puede filtrarse aire frío del refrigerador.



# Instalación

## PASO 6 Conectar la tubería del dispensador de agua

El dispensador de agua con filtro es una de las funciones útiles de su nuevo refrigerador. Con el fin de promover la buena salud, el filtro de agua elimina las partículas no deseadas del agua. No obstante, no la esteriliza ni destruye los microorganismos. Para eso, necesita adquirir un sistema de purificación de agua.

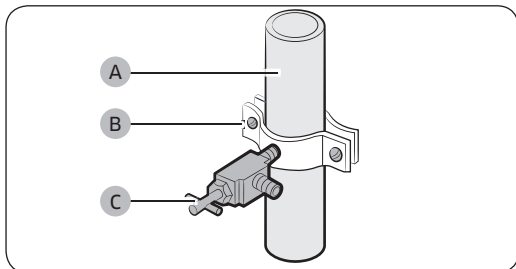
La tubería del agua también se conecta a la fábrica de hielo. Para que la fábrica de hielo funcione correctamente, se requiere una presión de agua de entre 20 y 125 psi (138 y 862 kPa).

Si el refrigerador se instala en una zona con baja presión de agua (inferior a 20 psi/138 kPa), puede instalar una bomba cebadora para compensar la baja presión.

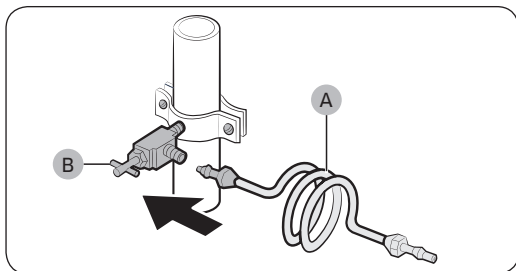
Después de haber conectado la tubería de agua, verifique si el dispensador funciona correctamente. Presione la palanca del dispensador hasta que salga el agua.

### NOTA

- Su distribuidor podrá ofrecerle los equipos de instalación de tuberías de agua disponibles a un costo adicional. Recomendamos utilizar un equipo de instalación de tubería de agua que contenga tubería de cobre y una tuerca de compresión de 1/4" (6 mm).



1. Cierre el suministro de agua principal.
2. Inserte la abrazadera (B) y la válvula de cierre (C) en la tubería de agua fría (A).

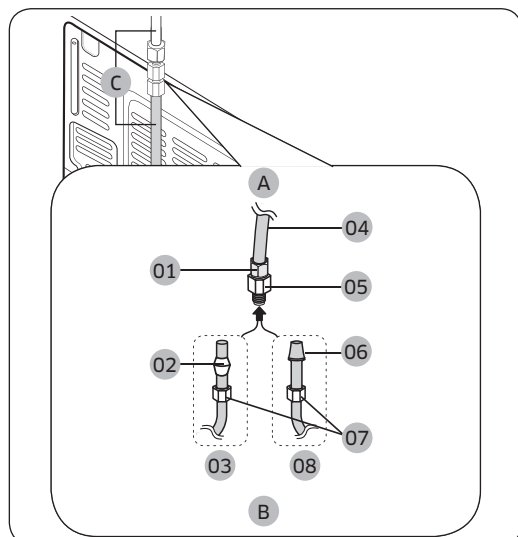


3. Conecte el equipo de instalación de la tubería de agua (A) a la válvula de cierre (B).

## Conecte la tubería de suministro de agua al refrigerador

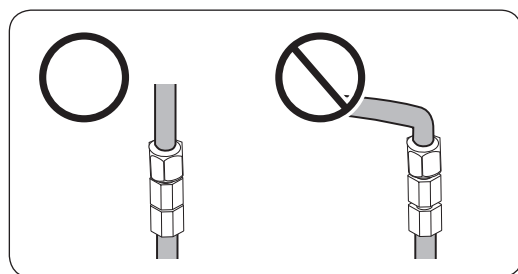
Para llevar a cabo la conexión, necesita adquirir varios elementos. Posiblemente su ferretería local los venda todos juntos en un equipo.

Tubería de cobre	<ul style="list-style-type: none"><li>• Tubería de cobre de 1/4"</li><li>• Tuerca de compresión de 1/4" (1)</li><li>• Fécula (2)</li></ul>
Tubería de plástico	<ul style="list-style-type: none"><li>• Tubería de plástico de 1/4" → Extremo moldeado (bulbo)</li><li>• Tuerca de compresión de 1/4" (1)</li></ul>



- A. Refrigerador
- B. Tubería de suministro del agua corriente
- C. Tubería de agua: debe mantenerse recta.

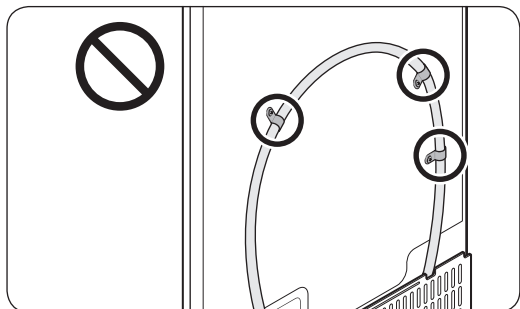
- 01 Tuerca de compresión (1/4") (ensamblada)
- 02 Fécula (No provista)
- 03 Tubería de cobre (no provista)
- 04 Tubería de plástico (ensamblada)
- 05 Acople de compresión (ensamblado)
- 06 Extremo moldeado (bulbo)
- 07 Tuerca de compresión (B) (1/4") (no provista)
- 08 Tubería de plástico (A) (no provista)



### NOTA

Si debe reubicar el refrigerador después de conectar la **tubería de agua (C)**, asegúrese de que la sección de la unión de la tubería se mantenga recta.

# Instalación



## ⚠ PRECAUCIÓN

No instale el filtro de agua en ninguna parte del refrigerador. Esto podría dañar el refrigerador.

1. Conecte la tubería de agua corriente al acople de compresión ensamblado.
  - Si utiliza una tubería de cobre, deslice la **tuerca de compresión (B)** (no provista) y la **férula** (no provista) por la tubería de cobre (no provista) como se muestra en el gráfico.
  - Si utiliza una **tubería de plástico (A)**, inserte el extremo moldeado (bulbo) de la **tubería de plástico (A)** en el acople de compresión.

## ⚠ PRECAUCIÓN

- Si utiliza una **tubería de plástico (A)**, no la use sin el extremo moldeado (bulbo).
  - Dejar la tubería de agua desconectada puede causar que, con el tiempo, la válvula de agua emita un zumbido. En este caso, asegúrese de desactivar la fábrica de hielo colocándola en “**DESACTIVAR**” y no intente usar el dispensador de agua.
2. Ajuste la **tuerca de compresión (B)** sobre el **acople de compresión**. No ajuste demasiado la **tuerca de compresión (B)**.
  3. Abra el agua y verifique si hay alguna fuga. Si encuentra gotas o fugas de agua en las zonas de las conexiones, cierre el suministro de agua principal. Revise las conexiones y, de ser necesario, ajústelas.
  4. Haga correr 3 galones de agua a través del filtro antes de beber o utilizar el agua del refrigerador. (El agua debe correr unos 5 a 6 minutos). Para hacer correr el agua, presione la palanca del dispensador de agua con un vaso o una taza grandes. Llene el vaso, vacíelo y luego repita la operación.
  5. Tras poner en funcionamiento el refrigerador, deje que la fábrica de hielo haga hielo durante 1 o 2 días. Pasado este tiempo, deseche las primeras 1 o 2 cubetas de hielo que hace la fábrica de hielo para asegurarse de que se hayan eliminado todas las impurezas de la tubería de agua.

## 📖 NOTA

Conecte solamente la tubería de agua a una fuente de agua potable.

- Si debe reparar o desensamblar la tubería de agua, recorte  $\frac{1}{4}$ " de la tubería de plástico para asegurarse de que la conexión sea perfecta y libre de pérdidas.
- Puede probar rápidamente la tubería del agua con un vaso de papel. En condiciones normales, el dispensador de agua puede llenar un vaso de  $5 \frac{3}{4}$  oz. (170 cc) en aproximadamente 10 segundos.

---

## PASO 7 Configuración inicial

---

Al completar los siguientes pasos, el refrigerador quedará en perfectas condiciones de funcionamiento.

1. Enchufe el cable de alimentación al tomacorriente para encender el refrigerador.
2. Abra la puerta y verifique que la luz interna se encienda.
3. Coloque la temperatura en el valor más frío y espere una hora. Luego, el congelador comenzará a enfriarse y el motor funcionará adecuadamente.
4. Espere a que el refrigerador llegue a la temperatura configurada. Ahora el refrigerador estará listo para usar.

## PASO 8 Verificación final

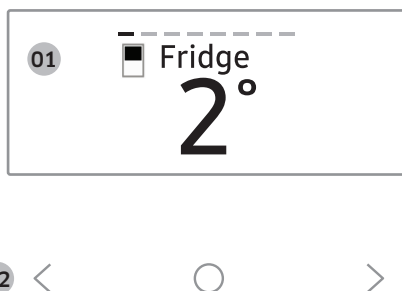
---

Una vez finalizada la instalación, confirme que:

- El refrigerador esté enchufado al tomacorriente y correctamente conectado a tierra.
- El refrigerador esté instalado sobre una superficie plana y nivelada con un espacio libre razonable con respecto a paredes y gabinetes.
- El refrigerador esté nivelado y apoyado firmemente en el piso.
- La puerta se abre y cierra libremente y la luz interior se enciende automáticamente al abrir la puerta.

# Funcionamiento

## Panel de control



01 Visor	Muestra el menú, los ajustes y otra información.
02 Botones	<ul style="list-style-type: none"><li>• Cuando se apague el visor, presione cualquier botón para encenderlo.</li><li>• Presione &lt; o &gt; para navegar hacia la izquierda y la derecha.</li><li>• Presione ○ para confirmar su selección.</li><li>• Mantenga presionado ○ para entrar al modo PA. (Para obtener más información, consulte la sección “SmartThings &gt; Cómo comenzar” en la página 46).</li></ul>

### NOTA

- El panel de control está diseñado para estar apagado cuando el refrigerador no se encuentra en uso. Únicamente se activa y enciende cuando se abre la puerta o se presionan los botones.
- Si la puerta queda abierta durante 5 minutos, la luz interior parpadea durante 5 minutos y se apaga. Esto sirve para alertar a los usuarios sordos y con problemas de audición que hay una puerta abierta. Tenga en cuenta que esta función es normal.
- Cuando cambia la temperatura en el panel, se muestra la temperatura actual dentro del refrigerador hasta que se alcanza la temperatura configurada. Luego el panel muestra la nueva temperatura configurada. Tenga en cuenta que el refrigerador necesita un tiempo para alcanzar la nueva temperatura. Es normal. Durante este tiempo, no es necesario volver a configurar la temperatura.

### Uso del panel de control



1. Presione cualquier botón (<, ○ o >) para encender el visor.
2. Presione < o > para seleccionar el menú deseado y, luego, presione ○ para confirmar.
3. Presione < o > para seleccionar el ajuste deseado y, luego, presione ○ para confirmar.
  - Para obtener más información acerca de los ajustes disponibles, consulte la sección **Descripciones de menús**.



## Descripciones de menús

<p>Fridge (Refrigerador)</p>	<ul style="list-style-type: none"> <li>• Puede ajustar la temperatura del refrigerador entre 34 ~ 44 °F (1~7 °C) o configurar la función Refrigeración rápida.</li> <li>• La Refrigeración rápida acelera el proceso de enfriamiento con la velocidad máxima del ventilador. El refrigerador funciona a máxima velocidad durante dos horas y media antes de volver a la temperatura previa.</li> </ul>
<p>Freezer (Congelador)</p>	<ul style="list-style-type: none"> <li>• Puede ajustar la temperatura del congelador entre -8 ~ 5 °F (-23 ~ -15 °C) o configurar la función Congelación rápida.</li> <li>• La Congelación rápida acelera el proceso de congelación con la velocidad máxima del ventilador. El congelador funciona a máxima velocidad durante 50 horas antes de volver a la temperatura previa. Para congelar una gran cantidad de alimentos, active la función de Congelación rápida como mínimo 20 horas antes de poner alimentos en el congelador.</li> </ul>
<p>FlexZone</p>	<ul style="list-style-type: none"> <li>• Puede configurar el modo FlexZone desde uno de los siguientes modos.             <ul style="list-style-type: none"> <li>- <b>Freeze (Congelación):</b> La temperatura se fija a la misma temperatura que el congelador.</li> <li>- <b>Soft Freeze (Congelación suave):</b> La temperatura se fija en 23 °F (-5 °C).</li> <li>- <b>Meat/Fish (Carne/Pescado):</b> La temperatura se fija en 30 °F (-1 °C).</li> <li>- <b>Fruit/Veggies (Frutas/Vegetales):</b> La temperatura se fija en 36 °F (2 °C).</li> <li>- <b>Beverage (Bebida):</b> La temperatura se fija en 39 °F (4 °C).</li> </ul> </li> </ul> <p><b>⚠ PRECAUCIÓN</b></p> <ul style="list-style-type: none"> <li>• Seleccione el modo FlexZone según el tipo de alimentos que almacene allí.</li> <li>• No almacene carnes ni alimentos en FlexZone con el modo Frutas/Vegetales o Vino. La carne u otros alimentos podrían echarse a perder.</li> <li>• No almacene botellas de vidrio en FlexZone en el modo Congelación o Congelación suave. Pueden romperse y causar lesiones físicas.</li> </ul>

# Funcionamiento

<p>Flex Crisper (Cajón flex para vegetales) *</p>	<ul style="list-style-type: none"> <li>• Puede configurar el modo Cajón flex para vegetales desde uno de los siguientes modos.             <ul style="list-style-type: none"> <li>- <b>Fridge (Refrigerador):</b> La temperatura se fija a la misma temperatura que el refrigerador.</li> <li>- <b>Meat/Fish (Carne/Pescado):</b> Seleccione este modo para conservar frescos la carne y el pescado. (Recomendamos configurar la temperatura del refrigerador por debajo de los 37 °F (3 °C) para almacenar la carne y el pescado más frescos en el Cajón flex para vegetales).</li> </ul> </li> </ul> <p> <b>NOTA</b></p> <p>La mayoría de las carnes y pescados pueden almacenarse en el cajón flex para vegetales durante 3 a 5 días (con algunas excepciones para ciertos tipos). Guárdelos en el congelador si desea conservarlos más de 5 días.</p>
<p>AutoFill Pitcher (Llenado automático de la jarra) *</p>	<ul style="list-style-type: none"> <li>• Puede configurar el modo de Llenado automático de la jarra desde uno de los siguientes modos.             <ul style="list-style-type: none"> <li>- <b>On (Activar):</b> Configure para llenar su jarra de agua automáticamente.</li> <li>- <b>Off (Desactivar):</b> Configure para desactivar la función.</li> </ul> </li> </ul> <p> <b>NOTA</b></p> <p>Puede poner té o frutas en el infusor para preparar té o agua para infusiones. Si desea mantener el agua de la infusión en su concentración inicial, desactive la función de Llenado automático de la jarra. (Para obtener más información, consulte la sección <b>Jarra de agua (Llenado automático de la jarra) (solo para los modelos correspondientes)</b> en la página 52).</p>
<p>Cubed Ice (Hielo en cubos) * (Ice Maker (Fábrica de hielo) *)</p>	<p>Puede iniciar o detener la fabricación de hielo en cubos.</p>
<p>Ice Bites (Trozos de hielo) *</p>	<p>Puede iniciar o detener la fabricación de trozos de hielo.</p>

<p><b>More Options</b> (Más opciones)</p>	<p>Puede cambiar la configuración de las siguientes funciones. Presione &lt; o &gt; para seleccionar el menú y, luego, presione ○ para confirmar.</p> <p><b>UV Deodorizing Filter (Filtro desodorizante UV) *</b>: Puede activar o desactivar el Filtro desodorizante UV.</p> <p><b>Peak Demand (Pico de demanda) *</b>: Puede activar o desactivar la función de Pico de demanda. (Para obtener más información sobre la función de Pico de demanda, consulte la sección <b>Función SMART GRID (respuesta a la demanda) (solo para los modelos correspondientes)</b> en la página 48).</p> <p><b>Filter Reset (Restablecer filtro) *</b>: Cuando aparezca el mensaje de reemplazo del filtro en la pantalla, seleccione este menú y reemplace el filtro de acuerdo con las instrucciones en pantalla.</p> <p><b>Temp. Unit (Unidad de temperatura)</b>: Puede seleccionar la escala de temperatura Celsius o Fahrenheit.</p> <p><b>Door Alarm (Alarma de la puerta)</b>: Puede activar y desactivar la Alarma de la puerta.</p> <p><b>Wi-Fi Connect (Conexión Wi-Fi)</b>: Puede activar y desactivar la Conexión Wi-Fi. Actívela para controlar y supervisar su refrigerador mediante la aplicación SmartThings. (Para obtener más información sobre SmartThings, consulte la sección <b>SmartThings</b> en la página 45.)</p>
---	---

\* solo para los modelos correspondientes

 **NOTA**

Utilizar las funciones de Refrigeración rápida o Congelación rápida aumenta el consumo energético.

# Funcionamiento

## Activar o desactivar el modo Shabat

El modo Shabat permanece activo por 85 horas una vez activado. Luego, se desactiva automáticamente.

- Para activar o desactivar el modo Shabat, mantenga presionados  $\circ$  y  $>$  simultáneamente durante 6 segundos. Luego, presione  $>$ .
  - Cuando el refrigerador está en modo Shabat, los botones, el visor y las luces internas no funcionan. Sin embargo, el refrigerador y el congelador siguen enfriando.

### **NOTA**

Si el refrigerador se apaga y se reinicia (por ejemplo, cuando hay un corte de energía), el modo Shabat permanece activo. Para finalizar el modo Shabat, debe desactivarlo como se indicó con anterioridad.

## Activar o desactivar el modo de Enfriamiento desactivado

El modo de Enfriamiento desactivado (también llamado modo Tienda) está diseñado para cuando los distribuidores exhiben los refrigeradores en un comercio. En el modo de Enfriamiento desactivado, el motor del ventilador del refrigerador y las luces funcionan con normalidad, pero los compresores no; por lo tanto, el refrigerador y el congelador no se enfrían.

- Para activar o desactivar el modo de Enfriamiento desactivado, mantenga presionados  $<$  y  $>$  simultáneamente durante 6 segundos. Luego, presione  $\circ$ .
  - Cuando el modo de Enfriamiento desactivado está activo, el refrigerador emite un sonido de alarma y muestra el mensaje “Cooling Off mode turned on (Activación de modo de enfriamiento desactivado)”.

---

## SmartThings

---

### Instalación

Visite Google Play Store, Galaxy Apps o Apple App Store y busque “SmartThings”. Descargue e instale la aplicación SmartThings provista por Samsung Electronics en su dispositivo inteligente.

#### **NOTA**

- La aplicación SmartThings no está disponible para algunas tabletas e iPad y algunos teléfonos inteligentes.
  - Compatible con sistema operativo [Android] 6.0 o superior. (con un mínimo de 2 GB de RAM)
  - Compatible con sistema operativo [iOS] 10.0 o superior/iPhone 6 o superior.
- Para obtener un desempeño mejorado, la aplicación SmartThings estará sujeta a cambios sin previo aviso o a la interrupción del soporte según la política del fabricante. Asimismo, es posible que deje de haber actualizaciones de la aplicación o de la función de la aplicación por motivos de seguridad o facilidad de uso, incluso si en la actualidad su sistema operativo admite las actualizaciones.
- Los sistemas de encriptación recomendados son WPA/TKIP y WPA2/AES. No se admiten protocolos de autenticación Wi-Fi más nuevos o no estándar.
- Las redes inalámbricas pueden verse afectadas por los entornos de comunicación inalámbrica circundantes.
- Si su proveedor de servicios de Internet registró la dirección MAC de su computadora o módem para identificación, su Dacor Smart Refrigerator podría no conectarse a Internet. Si esto ocurre, comuníquese con su proveedor de servicios de Internet para recibir asistencia técnica.
- La configuración de firewall de su sistema de red puede impedir que su Dacor Smart Refrigerator acceda a Internet. Comuníquese con su proveedor de servicios de Internet para recibir asistencia técnica. Si el síntoma persiste, comuníquese con un centro de servicio de Dacor local o el minorista.
- Para configurar el punto de acceso (PA) inalámbrico, consulte el manual de usuario del PA (enrutador).
- Los refrigeradores inteligentes Dacor son compatibles con Wi-Fi 2.4 GHz con los protocolos IEEE 802.11 b/g/n y Soft-AP. (Se recomienda IEEE 802.11 n).
- Los enrutadores Wi-Fi no autorizados pueden no conectarse con los Dacor Smart Refrigerators correspondientes.

# Funcionamiento

---

## Cuenta Samsung

Debe registrar su cuenta Samsung para utilizar la aplicación. Si no tiene una cuenta Samsung, siga las instrucciones en pantalla de la aplicación para crear una cuenta Samsung gratuita.

## Cómo comenzar

Encienda el dispositivo que desea conectar, abra la aplicación SmartThings en su teléfono y siga las instrucciones que figuran a continuación.

Si aparece un mensaje emergente que indica que se encontró un nuevo dispositivo, presione **ADD NOW (AGREGAR AHORA)**.

Si no aparece el mensaje, presione el botón **+** y, en la lista de dispositivos disponibles, seleccione el dispositivo que desea conectar.

Si su dispositivo no se encuentra en la lista de dispositivos disponibles, presione **Supported Devices (Dispositivos admitidos)**, seleccione el tipo de dispositivo (Refrigerador) y, luego, el modelo del dispositivo específico.

Siga las instrucciones de la aplicación para configurar el dispositivo. Una vez completada la configuración, el refrigerador aparecerá como una "ficha" en la pantalla **Devices (Dispositivos)**.

## Aplicación del refrigerador

### Control integrado

Puede supervisar y controlar su refrigerador en su casa y desde cualquier otro lugar.

- Toque el icono del refrigerador en el panel de SmartThings o toque el icono de Dispositivos en la parte inferior del panel, y luego toque la "ficha" del refrigerador para abrir la página correspondiente.
- Controle el estado de operación o las notificaciones de su refrigerador y luego modifique las opciones o parámetros si fuera necesario.

### **NOTA**

Algunas opciones o ajustes del refrigerador pueden no estar disponibles para el control remoto.

Categoría	Elemento	Descripción
Supervisión y control	Temperatura del refrigerador	Puede configurar y controlar la temperatura deseada del refrigerador.
	Temperatura del congelador	Puede configurar y controlar la temperatura deseada del congelador.
	Refrigeración rápida	Puede activar o desactivar la función de Refrigeración rápida y ver la configuración actual.
	Congelación rápida	Puede activar o desactivar la función de Congelación rápida y ver la configuración actual.
	Cajón flex para vegetales	Puede configurar y controlar el modo deseado del cajón flex para vegetales.
	FlexZone	Puede configurar y controlar el modo deseado de FlexZone.
	Hielo en cubos / Trozos de hielo	Puede activar o desactivar la función de fabricación de hielo y ver la configuración actual.
	Llenado automático de la jarra	Puede activar o desactivar la función de Llenado automático de la jarra y ver la configuración actual.
Alarmas	Temperatura anormalmente elevada	Esta alarma se dispara cuando la temperatura del refrigerador, el congelador o FlexZone es demasiado elevada.
	Puerta abierta	Esta alarma se dispara si la puerta del refrigerador, el cajón del congelador o el cajón FlexZone quedan abiertos durante un período específico.
	Desbordamiento de Llenado automático de la jarra	Si la función Llenado automático de la jarra detecta un desbordamiento, se dispara esta alarma para avisar sobre dicho estado.
	Reemplazo del filtro de agua	Esta alarma le recuerda que es necesario reemplazar el filtro de agua.

# Funcionamiento

## Función SMART GRID (respuesta a la demanda) (solo para los modelos correspondientes)

Cuando el refrigerador opera en modo SMART GRID (respuesta a la demanda), la función de gestión de energía del refrigerador permite controlar el uso de la energía o demorar algunas funciones para ahorrar dinero cuando el precio de la energía o la demanda son más elevados.

### **NOTA**

- Se puede desactivar la función SMART GRID (respuesta a la demanda) en cualquier momento utilizando la función de Pico de demanda desactivado.
- Para usar la función SMART GRID (respuesta a la demanda), se necesita un contrato aparte con la compañía de servicio eléctrico.

Además, para usar la función Smart Grid (respuesta a la demanda), debe registrar el servicio en su compañía de electricidad. La compañía debe tener un EMS (sistema de gestión de energía) compatible con SEP (perfil de energía inteligente).

### Uso de la función SMART GRID (respuesta a la demanda)

Esta función controla los precios de la energía y la información de la demanda desde la compañía de servicio eléctrico y envía notificaciones al refrigerador para que ejecute tareas de alto consumo energético fuera de las horas pico cuando el costo y la demanda de la electricidad son menores.

Si el refrigerador recibe una señal de control de la compañía de servicio eléctrico, se mostrarán los niveles **DAL** ~ **TALR** en el visor del refrigerador y se controlará el consumo energético de acuerdo con el nivel.

[Condición de excepción] Las señales de control **DAL** y **TALR** de una compañía de servicio eléctrico funcionan mientras se mantiene el desempeño del producto.

Si el refrigerador recibe una señal SMART GRID (respuesta a la demanda) (**DAL** o **TALR**), funcionará en el modo Delay Appliance Load (**DAL**) (Demora en la carga del aparato) o Temporary Appliance Load Reduction (**TALR**) (Reducción temporal de la carga del aparato).

- Demora en la carga del aparato (**DAL**): El refrigerador responde a una señal **DAL** proporcionando una reducción de carga moderada durante el periodo de demora. Esta función controla las funciones que consumen mucha energía, como el ajuste del sistema de enfriamiento, la ejecución del ciclo de descongelación y la fabricación de hielo.
  - Cuando el refrigerador funciona en el modo **DAL**, se muestra "DAL" en el visor.
  - El modo **DAL** se desactiva automáticamente pasado el periodo establecido por la señal **DAL** (máx. 4.5 horas) o al desactivar la función de Pico de demanda.



- 
- Reducción temporal de la carga del aparato (TALR): El refrigerador responde a una señal **TALR** reduciendo drásticamente la carga durante un corto periodo. Esta función reduce el consumo de energía deteniendo el compresor y controlando las funciones que consumen mucha energía, como el ciclo de descongelación y la fabricación de hielo.
    - Cuando el refrigerador funciona en el modo **TALR**, se muestra "TALR" en el visor.
    - El modo **TALR** se desactiva automáticamente pasado el periodo establecido (máx. 15 minutos) o al desactivar la función de Pico de demanda. El modo se desactiva de inmediato y el refrigerador regresa al estado normal cuando la puerta se abre o cierra o se utiliza el dispensador.

### **Pico de demanda desactivado**

Cuando desee que el refrigerador ignore la señal SMART GRID (respuesta a la demanda) de la compañía de servicio eléctrico, puede desactivar la función de Pico de demanda.

Si desactiva la función de Pico de demanda, el refrigerador ignora la señal SMART GRID (respuesta a la demanda) y deja de estar controlado por la compañía de servicio eléctrico.

### **Cómo activar o desactivar la función de Pico de demanda**

1. Presione cualquier botón ( < , ○ o > ) para encender el visor.
2. Presione < o > para seleccionar **More Options (Más opciones)** y, luego, presione ○ para confirmar.
3. Presione < o > para seleccionar **Peak Demand (Pico de demanda)** y, luego, presione ○ para confirmar.
4. Presione < o > para seleccionar **On (Activar)** u **Off (Desactivar)** y, luego, presione ○ para confirmar.

# Funcionamiento

## Uso de la función de gestión de energía

La función de gestión de energía permite controlar y supervisar con mayor comodidad la gestión de energía de su refrigerador mediante la aplicación SmartThings.

### NOTA

- Para usar las funciones de gestión de la energía del refrigerador, en primer lugar debe instalar la aplicación correspondiente.
1. Estado de funcionamiento
    - Puede verificar los estados de DR y Pico de demanda.
  2. Informe del consumo de energía
    - Muestra el consumo de energía acumulado. Los datos del consumo de energía se actualizan cada 10 minutos.

### NOTA

El informe del consumo de energía puede diferir de las especificaciones de consumo de energía del producto dependiendo del entorno de funcionamiento y de los alimentos almacenados.

3. Capacidad de demora del descongelamiento
  - La función de capacidad de demora del descongelamiento ahorra energía demorando el descongelamiento hasta la hora especificada por el usuario. Se puede configurar la hora y esta función ahorrará energía durante el tiempo especificado en ciclos de 24 horas. Si no se establece la hora, funciona de acuerdo con la configuración de tiempo predeterminada. Las configuraciones de tiempo predeterminadas son las siguientes:
    - 6 a. m. a 10 a. m.: 1 de noviembre ~ 30 de abril
    - 3 p. m. a 7 p. m.: 1 de mayo ~ 31 de octubre

### Para modificar la configuración de tiempo de la Capacidad de demora del descongelamiento

Puede cambiar la configuración de tiempo de la Capacidad de demora del descongelamiento en la aplicación.

---

## Facilitación de acceso abierto a los requisitos del producto conectado

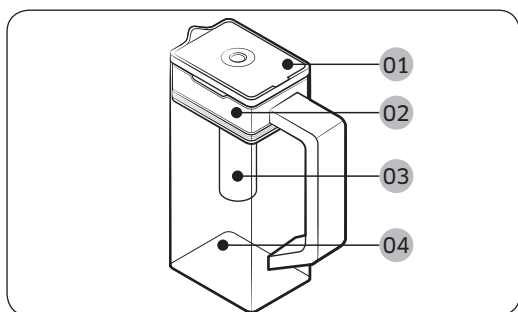
1. SGIP Open Standards (Smart Energy Profile 2.0 <http://www.csep.org/>)
  - Informe del consumo de energía
  - Respuesta a la demanda
2. Samsung OPEN API
  - Estado de funcionamiento, ajustes del usuario y mensajes
  - Estado de la fábrica de hielo: GET /icemaker/status/vs/0
  - Alarma de puerta abierta: GET /doors/vs/0
  - Estado DR: GET /drlc/vs/0
  - Capacidad de demora del descongelamiento
  - Establecer programación de la demora de descongelamiento: POST /defrost/reservation/vs/0?op=add
  - Obtener programación de la demora de descongelamiento: GET /defrost/reservation/vs/0
  - Borrar programación de la demora de descongelamiento: POST /defrost/reservation/vs/0?op=remove
  - Activar/desactivar demora de descongelamiento: POST /defrost/delay/vs/0

# Funcionamiento

## Funciones especiales

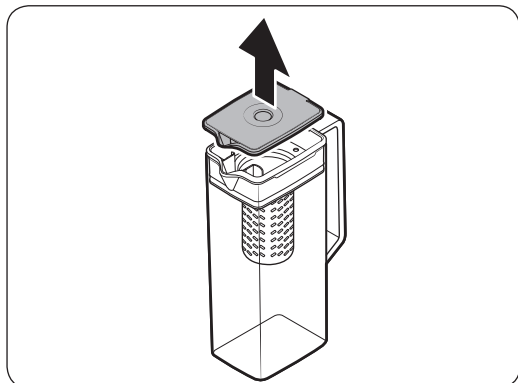
### Jarra de agua (Llenado automático de la jarra) (solo para los modelos correspondientes)

Siempre hay agua fría y purificada disponible con la función de Llenado automático de la jarra. Puede poner té o frutas en el infusor para disfrutar de las distintas infusiones de agua que desee.



- 01 Tapa
- 02 Soporte del infusor
- 03 Infusor
- 04 Cuerpo

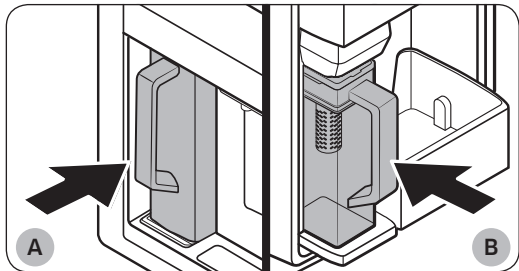
Para llenar la jarra de agua



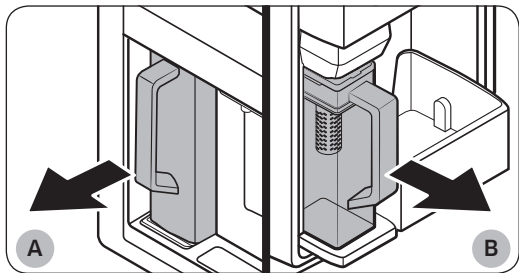
1. Sujete una de las ranuras de la manija de la **tapa** y jale hacia arriba para abrir la **tapa**.
2. Coloque hojas de té o frutas a gusto en el infusor.

#### **NOTA**

Si desea mantener el agua de la infusión en su concentración inicial, desactive la función de Llenado automático de la jarra.



- A. Modelos tipo A
- B. Modelos tipo B



- A. Modelos tipo A
- B. Modelos tipo B

3. Active la función de Llenado automático de la jarra en el panel de control. Abra la puerta del centro de bebidas (tipo A) o la puerta izquierda del refrigerador (tipo B) y, luego, inserte la jarra de agua en el soporte. Empújela en línea recta como se muestra en la figura.

### **⚠ PRECAUCIÓN**

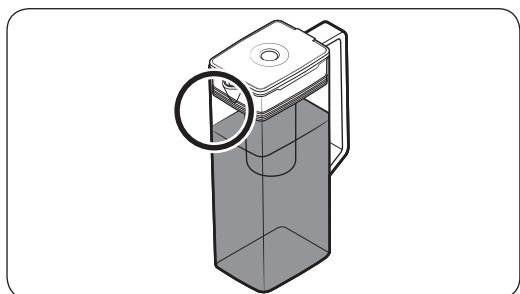
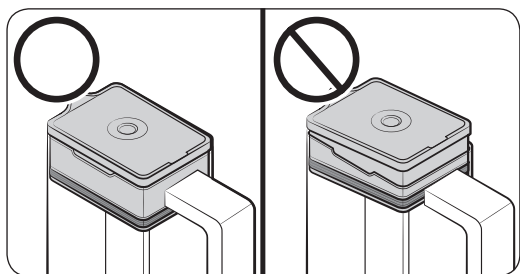
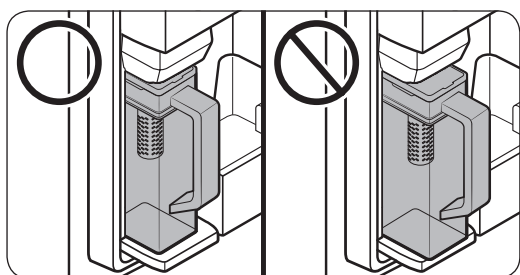
Asegúrese de que la jarra de agua encaje en el soporte.

4. Cierre la puerta. La jarra comenzará a llenarse con agua fría poco después.
5. Para beber té, abra la puerta del centro de bebidas (tipo A) o la puerta izquierda del refrigerador (tipo B) y, luego, retire la jarra de agua. Jálala hacia afuera en línea recta.

# Funcionamiento

## ⚠ PRECAUCIÓN

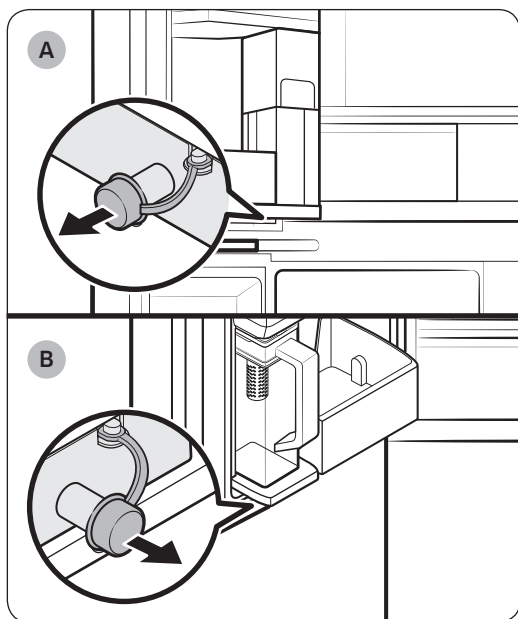
- Se recomienda consumir el agua infundada de frutos antes de que transcurran 24 horas. Después de este tiempo, el agua infundada podría echarse a perder.
- Debe limpiar la jarra después de consumir el agua infundada. Asimismo, limpie la jarra de agua si no la ha utilizado durante un tiempo prolongado.



- Para evitar que la jarra se caiga o tenga fugas, asegúrese de que encaje bien en el soporte.
- Para evitar que la jarra se desborde o tenga fugas, asegúrese de que el soporte del infusor esté bien colocado.

## 📖 NOTA

- Si la parte delantera (área marcada específicamente) de la jarra de agua tiene mucha humedad, es posible que la jarra no se llene por completo. Quite la humedad e intente nuevamente.
- La función de Llenado automático de la jarra detendrá el suministro de agua a la jarra si no se llena después de un determinado periodo. Si esto ocurriera, verifique que la tubería de agua esté bien conectada. Retire la jarra de agua, insértela nuevamente y vuelva a intentarlo.



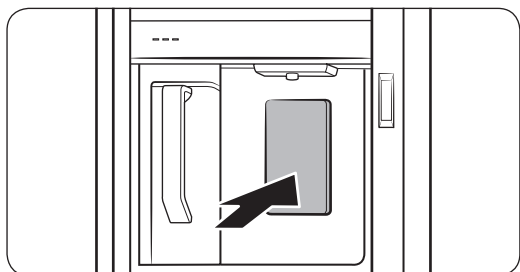
A. Modelos tipo A  
B. Modelos tipo B

#### **NOTA**

- Limpie el soporte si la jarra de agua se desbordó o tuvo fugas.
- Si la tapa de goma está abierta, caerá agua.
- Aparece un mensaje de alerta en el panel de control si hay una fuga. En caso de fuga, abra la tapa de goma para que el agua drene. Si el mensaje de alerta no desaparece después del drenaje, es posible que haya una falla en el sistema. Comuníquese con el centro de servicio local de Dacor.

# Funcionamiento

## Dispensador de agua (solo para los modelos correspondientes)



Para dispensar agua fría, abra el centro de bebidas y presione la palanca del dispensador.

### NOTA

- El dispensador dejará de dispensar si se mantiene la palanca presionada durante aproximadamente 1 minuto. Para dispensar más agua, libere y presione la palanca nuevamente.
- Asegúrese de que el vaso esté alineado con el dispensador para evitar que el agua se derrame.
- Si no utiliza el dispensador de agua durante 2 o 3 días, el agua dispensada puede presentar un sabor u olor extraño. No se trata de una falla del sistema. Descarte los primeros 1 o 2 vasos de agua.

### Turbidez del agua

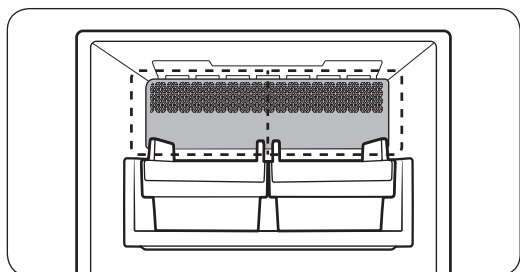
El agua provista al refrigerador pasa por un filtro de centro alcalino. Durante el proceso de filtración, aumenta la presión del agua y esta se satura de oxígeno y nitrógeno. Esto hace que el agua parezca turbia temporalmente cuando se la sirve. Esto es normal y el agua aparecerá transparente después de unos segundos.



## Fábrica de hielo

El refrigerador cuenta con una fábrica de hielo incorporada que dispensa hielo automáticamente.

- El diseño general y/o los accesorios pueden diferir dependiendo del modelo.



- Este producto dispone de dos tipos de fábricas de hielo.

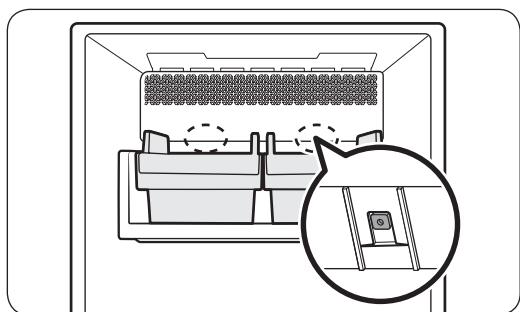
## Fabricación de hielo

Una vez que haya instalado y enchufado el refrigerador, siga estas instrucciones a fin de asegurar la fabricación adecuada de hielo y para mantener la cubeta de hielo llena.

### Para utilizarla por primera vez

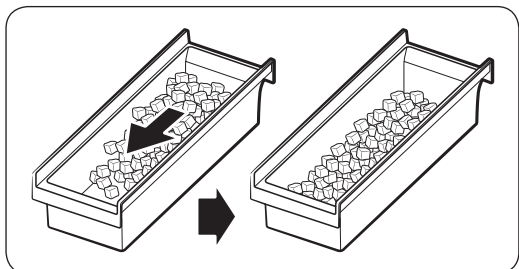
- Deje que la fábrica de hielo funcione durante 1 o 2 días.
- Descarte la primera y segunda cubeta de hielo para eliminar las impurezas del sistema de suministro de agua.

## Diagnóstico



- El diseño general y/o los accesorios pueden diferir dependiendo del modelo.
- Si el hielo no sale, primero controle el estado de la fábrica de hielo con el botón **Test (Prueba)** en la parte inferior de la fábrica de hielo.
- Presione el botón **Test (Prueba)** en la parte inferior de la fábrica de hielo. Escuchará una señal sonora (campana) al presionar el botón. Escuchará otra señal sonora si la fábrica de hielo funciona correctamente.

# Funcionamiento



- La acumulación de hielo en un lado de la charola es normal. Distribuya el hielo de la charola de manera uniforme para almacenar más hielo.

## PRECAUCIÓN

- Dejar la tubería de agua desconectada puede causar que, con el tiempo, la válvula de agua emita un zumbido. En este caso, asegúrese de desactivar la función de fabricación de hielo (Hielo en cubos/ Trozos de hielo).
- Si la señal sonora de fabricación de hielo suena repetidamente, comuníquese con el instalador de la tubería de agua o un centro de servicio local de Dacor.
- No ponga alimentos en la cubeta de hielo. Los alimentos congelados pueden dañar la fábrica de hielo, en especial al abrir o cerrar la puerta.
- Cuando el refrigerador recupera el suministro eléctrico después de un corte, la cubeta de hielo puede contener una mezcla de cubos de hielo derretidos y pegados, lo que puede evitar que la fábrica de hielo funcione adecuadamente. Para evitar que esto suceda, asegúrese de vaciar la cubeta de hielo antes de utilizar el refrigerador.
- No coloque los dedos ni otros objetos en la fábrica de hielo. Es posible que provoque lesiones o daños materiales.
- Debido a la sublimación, el hielo almacenado en el congelador durante mucho tiempo reduce su tamaño y forma grandes trozos de hielo. Por lo tanto, si no va a utilizar hielo durante mucho tiempo, apague la fábrica de hielo como se indica a continuación.
- Utilice solo las mangueras nuevas provistas con el electrodoméstico. No reutilice mangueras antiguas.

# Mantenimiento

---

## Manipulación y cuidado

---

### Cubeta de hielo (solo para los modelos correspondientes)

Si no sirve hielo durante un período prolongado, el hielo puede apelmazarse en la cubeta. Si esto ocurriera, retire y vacíe la cubeta de la fábrica de hielo.

### PRECAUCIÓN

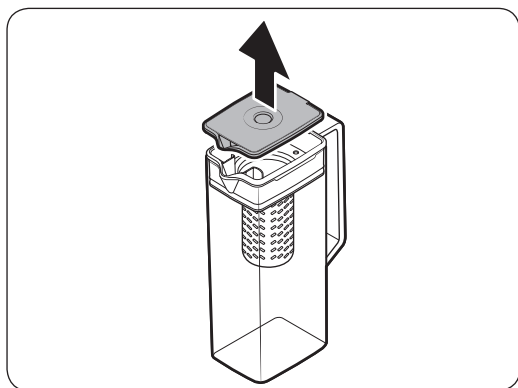
- Para evitar lesiones, asegúrese de limpiar el hielo o el agua que pueda haber caído en el suelo.
- A fin de evitar lesiones o accidentes, no permita que los niños jueguen con el dispensador de agua ni la fábrica de hielo.
- Utilice únicamente la cubeta de hielo provista. Las cubetas de hielo de terceros pueden provocar una falla del sistema.

### NOTA

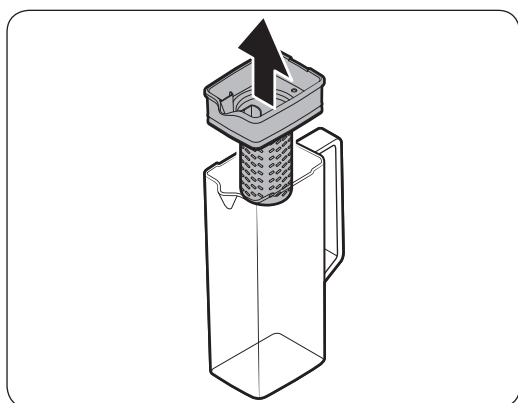
- La presión de agua necesaria para la fabricación de hielo es de entre 20 y 125 psi (138 y 862 kPa).
- Los ruidos de la fábrica de hielo durante el proceso de fabricación son normales.

# Mantenimiento

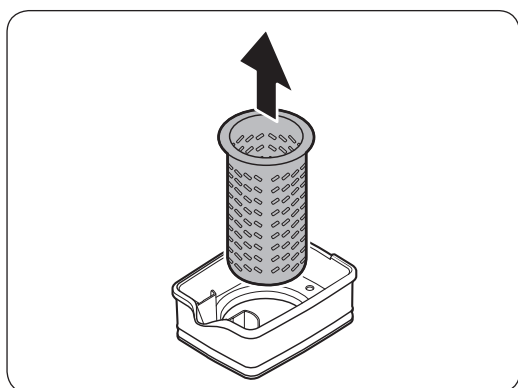
## Llenado automático de la jarra (solo para los modelos correspondientes)



1. Sujete una de las ranuras de la manija de la **tapa** y jale hacia arriba para retirar.



2. Sujete ambos lados del **soporte del infusor** y levántelo para retirarlo.



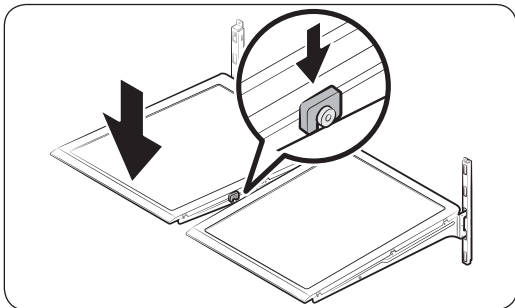
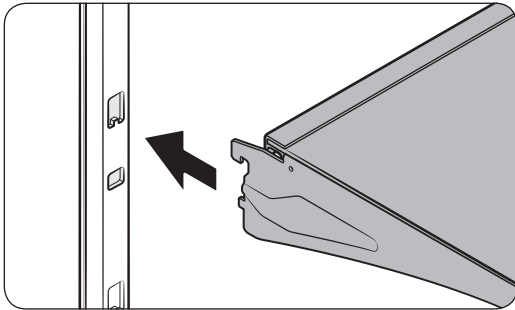
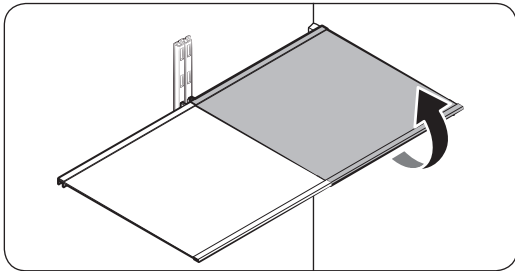
3. Quite el **infusor** de la boca sellada girándolo ligeramente.
4. Limpie el **infusor** con agentes neutros y agua corriente. Enjuague y seque bien.
5. Vuelva a ensamblar la Llenado automático de la jarra en el orden inverso al del desensamble.

### **PRECAUCIÓN**

La jarra de agua y la tapa no son aptas para microondas y pueden derretirse o deformarse si se exponen al calor (incluida el agua caliente). Debe lavarlas a mano con agua fría o tibia según sea necesario.

## Estantes del refrigerador

El aspecto de los estantes varía según el modelo.



- Para retirar un estante, abra la puerta correspondiente por completo. Sostenga la parte delantera del estante y, luego, levántelo suavemente y jale hacia afuera.

### **NOTA**

No levante el estante por completo al retirar o reinsertar el estante. La pared posterior del refrigerador podría abollarse.

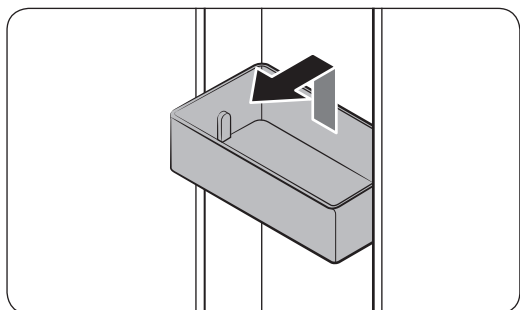
- Para insertarlo nuevamente, sostenga el estante en ángulo de modo que la parte frontal esté más elevada que la trasera y luego inserte el gancho superior en la muesca superior del estante. Luego, baje el estante e inserte el gancho inferior del estante en la muesca inferior del estante.

### **PRECAUCIÓN**

- Los estantes de vidrio templado son pesados. Tenga cuidado al retirarlos.
- El estante debe insertarse correctamente. No lo coloque al revés.
- Los contenedores de vidrio pueden rayar la superficie de los estantes de vidrio.

# Mantenimiento

## Compartimientos de las puertas



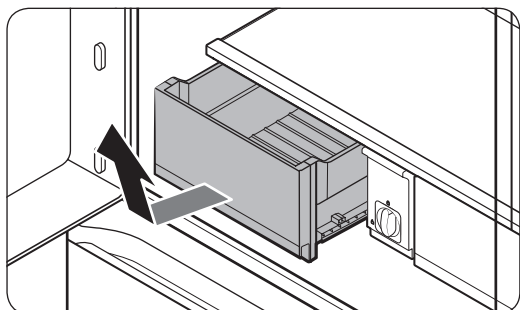
- Para retirar el **compartimiento de la puerta**, sostenga ambos lados delanteros del compartimiento y levántelo suavemente.
- Para volver a colocarlo, inserte el **compartimiento de la puerta** ligeramente por encima de su ubicación final asegurándose de que la parte posterior esté contra la puerta. Sostenga la parte posterior del **compartimiento de la puerta** con ambas manos y presiónelo para que encaje bien.

### ⚠ PRECAUCIÓN

- No retire un compartimiento lleno de alimentos. Antes, vacíe el compartimiento.
- Tenga cuidado al abrir la puerta si el compartimiento inferior contiene botellas grandes que podrían caer.
- No permita que los niños jueguen con los compartimientos. Las esquinas filosas del compartimiento pueden causar lesiones.

## Cajones del refrigerador

### Cajón para vegetales+ / Cajón flex para vegetales



Levante suavemente el frente del cajón y deslícelo hacia afuera.

- Se recomienda retirar los compartimientos de la puerta antes de retirar el cajón. Esto es para evitar que se dañen.
- Para volver a colocarlo, inserte el cajón en los rieles y deslícelo hacia adentro.

## Limpieza

### Interior y exterior

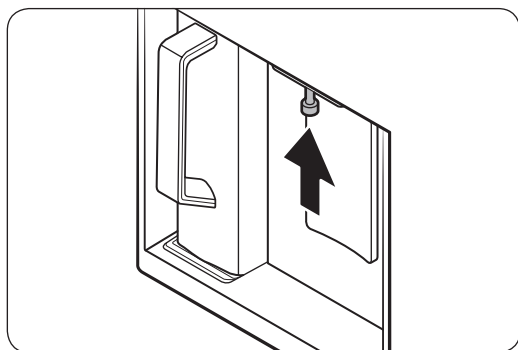
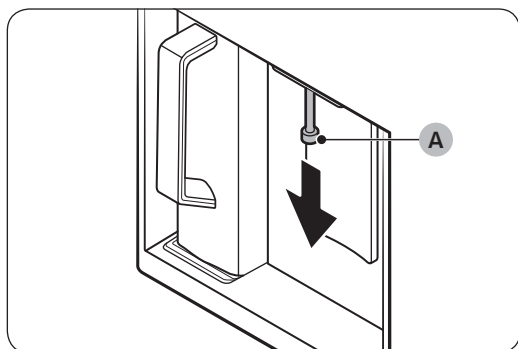
#### **ADVERTENCIA**

- No limpie el refrigerador con benceno, disolvente, detergente para automóviles/hogareño o Clorox™ (blanqueador). Pueden dañar la superficie del refrigerador y provocar un incendio.
- No rocíe agua sobre el refrigerador. Puede provocar una descarga eléctrica.

Utilice un paño seco regularmente para retirar cualquier sustancia extraña como polvo o agua de las terminales del enchufe de alimentación y los puntos de contacto.

1. Desenchufe el cable de alimentación
2. Utilice un paño húmedo que no deje pelusa o una toalla de papel para limpiar el interior y el exterior del refrigerador.
3. Al terminar, utilice un paño seco o toalla de papel para secarlo bien.
4. Enchufe el cable de alimentación.

### Válvula del dispensador (solo para los modelos correspondientes)



1. Sujete el extremo de la válvula del dispensador (A).
2. Mientras gira la válvula del dispensador (A) hacia la izquierda, júlela hacia abajo para retirarla del dispensador.

3. Limpie bien la válvula y, luego, vuelva a colocarla.

#### **PRECAUCIÓN**

- Inserte por completo la válvula del dispensador para que vuelva a su posición original.
- No utilice esponjas con texturas ásperas para limpiar la válvula del dispensador.

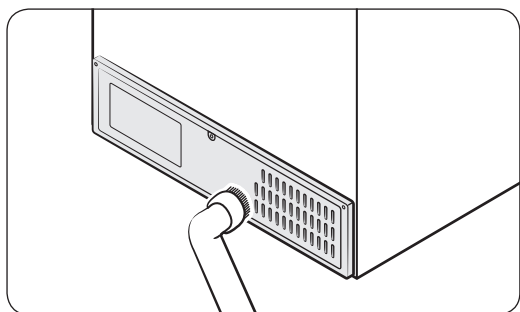
# Mantenimiento

---

## Burletes de goma

En caso de que los burletes de goma de una puerta se ensucien, es posible que la puerta no cierre bien y el refrigerador disminuya su rendimiento y eficacia. Utilice un detergente suave y un paño húmedo para limpiar los burletes de goma. Luego, séquelos bien con un paño.

## Panel posterior



Para mantener los cables y las partes expuestas del panel posterior libres de polvo, aspire el panel una o dos veces al año.

### **PRECAUCIÓN**

No retire la cubierta del panel posterior. Podría producirse una descarga eléctrica.

## Reemplazo

---

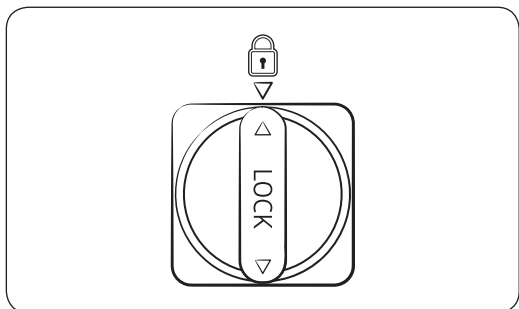
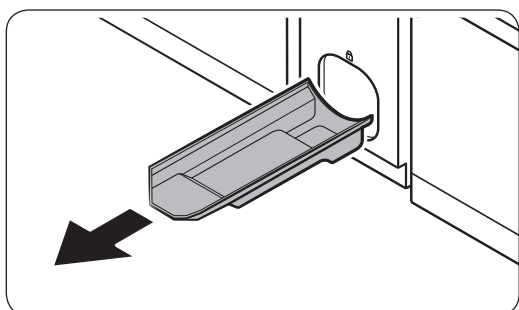
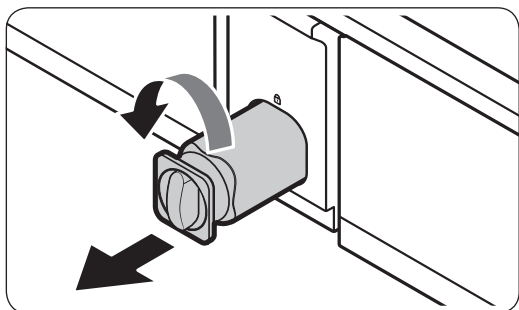
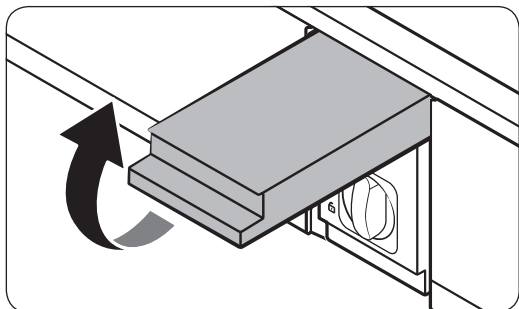
### Filtro de agua

#### **ADVERTENCIA**

- No utilice filtros de agua de terceros. Utilice únicamente filtros provistos o aprobados por Dacor.
- Los filtros no aprobados pueden provocar pérdidas y daños al refrigerador y descargas eléctricas. Dacor no se hace responsable por los daños que puedan generarse a partir del uso de filtros de terceros.

Aparece el mensaje “**Replace water filter (Reemplazar filtro de agua)**” en el panel de control para avisarle que es tiempo de reemplazar el filtro. Antes de reemplazar el filtro, asegúrese de que la tubería de agua esté cerrada.





1. Cierre la tubería de suministro de agua.
2. Abra la cubierta del cartucho del filtro.
3. Gire la perilla del cartucho del filtro en sentido antihorario unos 90 grados (giro de  $\frac{1}{4}$ ). El cartucho del filtro se destraba.
4. Tire para retirar el cartucho.
  - Si el filtro de agua estuviera muy contaminado, es posible que el cartucho no pueda retirarse fácilmente. En dicho caso, retírelo por la fuerza.
  - A fin de evitar pérdidas de agua a través de la abertura del filtro, jale el cartucho en línea recta al retirarlo.
5. Inserte un nuevo cartucho de filtro. Utilice únicamente filtros provistos o aprobados por Dacor.
6. Gire la perilla del filtro en el sentido de las agujas del reloj para trabarlo en su posición.
7. Cierre la cubierta del cartucho del filtro.
8. En el panel de control, vaya a **More Options (Más opciones)** y, luego, ejecute **Filter Reset (Restablecer filtro)**.

# Mantenimiento

---

## NOTA

- Los filtros nuevos pueden hacer que brote agua del dispensador brevemente. Esto se debe al ingreso de aire en la tubería de agua.
- El proceso de reemplazo puede hacer que el dispensador de agua gotee por un período breve. Si gotea, simplemente limpie el agua del piso con una toalla seca.

## Sistema de filtración por ósmosis inversa

La presión de agua del sistema de suministro hacia un sistema de filtración por ósmosis inversa debe ser de entre 35 psi y 120 psi (241 kPa y 827 kPa).

La presión de agua del sistema de filtración de agua por ósmosis inversa a la tubería de agua fría del refrigerador debe ser de al menos 40 psi (276 kPa). Si la presión de agua estuviera por debajo de estas especificaciones:

- Verifique si el filtro de sedimentos en el sistema de ósmosis inversa está bloqueado. Reemplace el filtro si fuera necesario.
- Llène nuevamente de agua el tanque de agua del sistema de ósmosis inversa.
- Si el refrigerador cuenta con un filtro de agua, es posible que la presión de agua disminuya aún más al usarlo con un sistema de ósmosis inversa. Retire el filtro de agua.

Para obtener más información sobre el mantenimiento, comuníquese con un plomero profesional.

## Pedir un filtro nuevo.

Para comprar un nuevo filtro de agua, comuníquese con un agente de servicio local.

## Lámparas LED

Para reemplazar las lámparas del refrigerador, comuníquese con un agente de servicios local.

## ADVERTENCIA

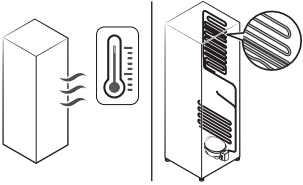
- El usuario no debe reemplazar las lámparas. No intente reemplazar la lámpara usted mismo. Puede provocar una descarga eléctrica.

# Solución de problemas

Antes de solicitar servicio técnico revise los siguientes puntos de verificación. Cualquier solicitud de servicio para situaciones normales (cuando no existe ningún defecto), correrá a cargo de los usuarios.

## General

### Temperatura

Síntoma	Causas posibles	Solución
El refrigerador/congelador no funciona. La temperatura del refrigerador/congelador es elevada.	<ul style="list-style-type: none"> <li>El cable de alimentación no está conectado correctamente.</li> </ul>	<ul style="list-style-type: none"> <li>Enchufe correctamente el cable de alimentación.</li> </ul>
	<ul style="list-style-type: none"> <li>El control de temperatura no está configurado correctamente.</li> </ul>	<ul style="list-style-type: none"> <li>Baje la temperatura.</li> </ul>
	<ul style="list-style-type: none"> <li>El refrigerador está ubicado cerca de una fuente de calor o expuesto a la luz solar directa.</li> </ul>	<ul style="list-style-type: none"> <li>Mantenga el refrigerador alejado de la luz solar directa o de las fuentes de calor.</li> </ul>
	<ul style="list-style-type: none"> <li>No hay espacio suficiente entre el refrigerador y las paredes y gabinetes cercanos.</li> </ul>	<ul style="list-style-type: none"> <li>Asegúrese de que haya un espacio mínimo de 2.5 pulgadas (5 cm) entre la parte posterior y los lados del refrigerador y las paredes y gabinetes cercanos.</li> </ul>
	<ul style="list-style-type: none"> <li>El refrigerador está demasiado lleno. Los alimentos bloquean las rejillas de ventilación del refrigerador.</li> </ul>	<ul style="list-style-type: none"> <li>No sobrecargue el refrigerador. Evite que los alimentos bloqueen la ventilación.</li> </ul>
El refrigerador/congelador enfría demasiado.	<ul style="list-style-type: none"> <li>El control de temperatura no está configurado correctamente.</li> </ul>	<ul style="list-style-type: none"> <li>Eleve la temperatura.</li> </ul>
La pared interna está caliente.	<ul style="list-style-type: none"> <li>El refrigerador cuenta con tuberías a prueba de calor en la pared interna.</li> </ul>	<ul style="list-style-type: none"> <li>A fin de evitar que se forme condensación, el refrigerador cuenta con tuberías a prueba de calor en los ángulos frontales. Si la temperatura aumenta, es posible que el equipo no funcione eficazmente. No se trata de una falla del sistema.</li> </ul> 

# Solución de problemas

## Olores

Síntoma	Causas posibles	Solución
El refrigerador huele mal.	• Alimentos descompuestos.	• Limpie el refrigerador y retire los alimentos descompuestos.
	• Alimentos con olores fuertes.	• Asegúrese de que los alimentos con olores fuertes estén envueltos al vacío.

## Escarcha

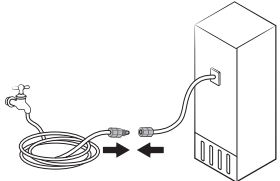
Síntoma	Causas posibles	Solución
Escarcha alrededor de las rejillas de ventilación.	• Los alimentos bloquean las rejillas de ventilación.	• Asegúrese de que ningún alimento bloquee las rejillas de ventilación del refrigerador.
Escarcha en las paredes internas.	• La puerta está mal cerrada.	• Asegúrese de que ningún alimento bloquee la puerta. Limpie las juntas de la puerta.
Las frutas o los vegetales se congelan.	• Las frutas o los vegetales están guardados en el cajón FlexZone.	• No debe almacenar casi ningún tipo de frutas o vegetales en el cajón FlexZone.

## Condensación

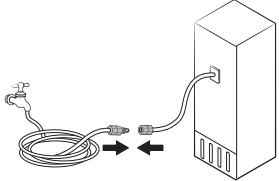
Síntoma	Causas posibles	Solución
Se forma condensación en las paredes internas.	• Si se deja la puerta abierta, entra humedad en el refrigerador.	• Retire la humedad y no deje la puerta abierta durante períodos prolongados.
	• Alimentos con elevado contenido de humedad.	• Asegúrese de que los alimentos estén envueltos al vacío.

## Agua/hielo (solo para modelos con dispensador)

Síntoma	Causas posibles	Solución
Sale menos agua de lo normal.	• La presión del agua es demasiado baja.	• Asegúrese de que la presión del agua esté entre 20 y 120 psi (138 y 827 kPa).

Síntoma	Causas posibles	Solución
La fábrica de hielo emite un zumbido.	<ul style="list-style-type: none"> <li>La función de fabricación de hielo está activada, pero el suministro de agua al refrigerador no está conectado.</li> </ul>	<ul style="list-style-type: none"> <li>Apague la fábrica de hielo.</li> </ul>
La fábrica de hielo no hace hielo.	<ul style="list-style-type: none"> <li>La fábrica de hielo está recién instalada.</li> </ul>	<ul style="list-style-type: none"> <li>Debe esperar 12 horas para que el refrigerador haga hielo.</li> </ul>
	<ul style="list-style-type: none"> <li>La temperatura del congelador es demasiado alta.</li> <li>Fábrica de hielo desactivada.</li> </ul>	<ul style="list-style-type: none"> <li>Configure la temperatura del congelador por debajo de 0 °F (-18 °C) o -4 °F (-20 °C) en ambientes cálidos.</li> <li>Encienda la fábrica de hielo.</li> </ul>
No se dispensa hielo.	<ul style="list-style-type: none"> <li>El hielo puede atascarse si el dispensador de hielo no se utiliza durante un periodo largo de tiempo (aproximadamente 3 semanas).</li> </ul>	<ul style="list-style-type: none"> <li>Si no utilizará el refrigerador por un periodo de tiempo prolongado, vacíe la cubeta de hielo y apague la fábrica de hielo.</li> </ul>
	<ul style="list-style-type: none"> <li>La cubeta de hielo no está insertada correctamente.</li> </ul>	<ul style="list-style-type: none"> <li>Asegúrese de que la cubeta de hielo esté insertada por completo.</li> </ul>
	<ul style="list-style-type: none"> <li>La tubería de agua no está conectada correctamente o el suministro de agua está cerrado.</li> </ul>	<ul style="list-style-type: none"> <li>Verifique que la tubería de agua esté instalada correctamente. Verifique que la válvula de cierre de la tubería de agua no esté cerrada.</li> </ul> 

# Solución de problemas

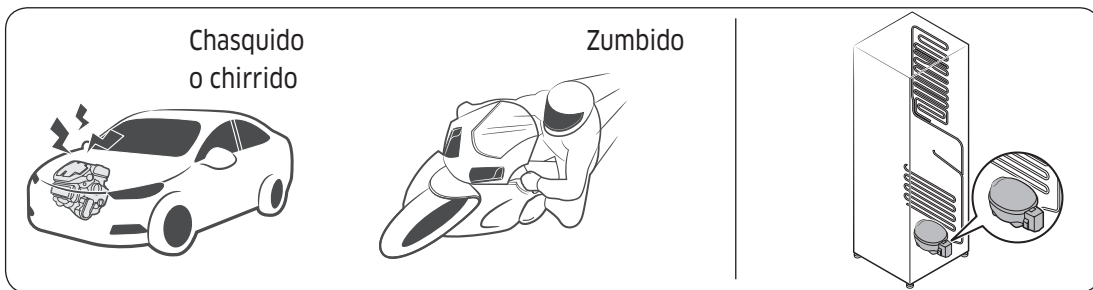
Síntoma	Causas posibles	Solución
No se dispensa agua.	<ul style="list-style-type: none"> <li>La tubería de agua no está conectada correctamente o el suministro de agua está cerrado.</li> </ul>	<ul style="list-style-type: none"> <li>Verifique que la tubería de agua esté instalada correctamente. Verifique que la válvula de cierre de la tubería de agua no esté cerrada.</li> </ul> 
	<ul style="list-style-type: none"> <li>Se instaló un filtro de agua de terceros.</li> </ul>	<ul style="list-style-type: none"> <li>Utilice únicamente filtros provistos o aprobados por Dacor.</li> <li>Los filtros no aprobados pueden provocar pérdidas y daños al refrigerador.</li> </ul>
	<ul style="list-style-type: none"> <li>Aparece el mensaje "Replace water filter (Reemplazar filtro de agua)" en el panel de control.</li> </ul>	<ul style="list-style-type: none"> <li>Reemplace el filtro de agua. A continuación, en el panel de control, vaya a <b>More Options (Más opciones)</b> y, luego, ejecute <b>Filter Reset (Restablecer filtro)</b>.</li> </ul>

## ¿Se oyen ruidos anómalos procedentes del refrigerador?

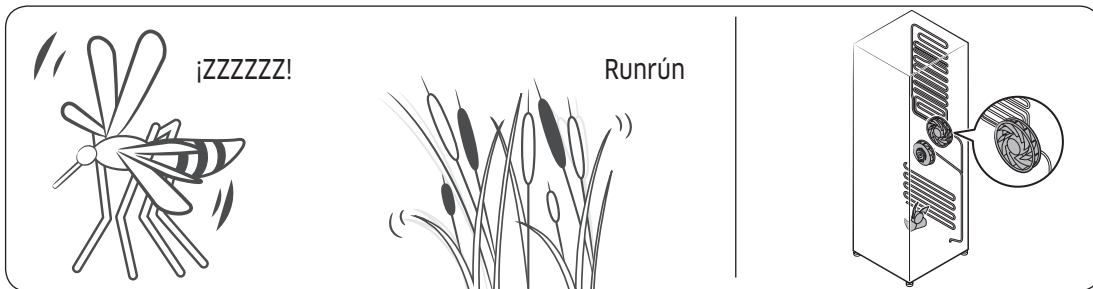
Antes de solicitar servicio técnico revise los siguientes puntos de verificación. Las solicitudes de servicio relacionadas con ruidos normales correrán a cargo del usuario.

### Estos ruidos son normales.

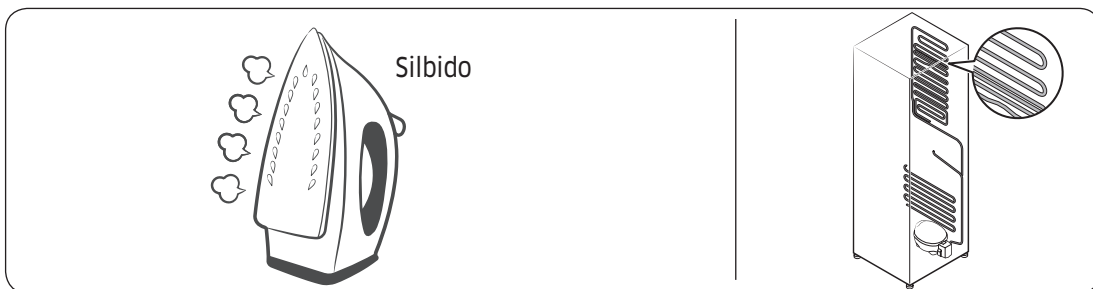
- Cuando se inicia o finaliza una operación, el refrigerador puede emitir sonidos similares al encendido del motor de un auto. Cuando la operación se estabiliza, el ruido disminuye.



- Cuando el ventilador está en funcionamiento puede producir algunos ruidos. Cuando el refrigerador alcanza la temperatura establecida, el ventilador deja de producir ruidos.

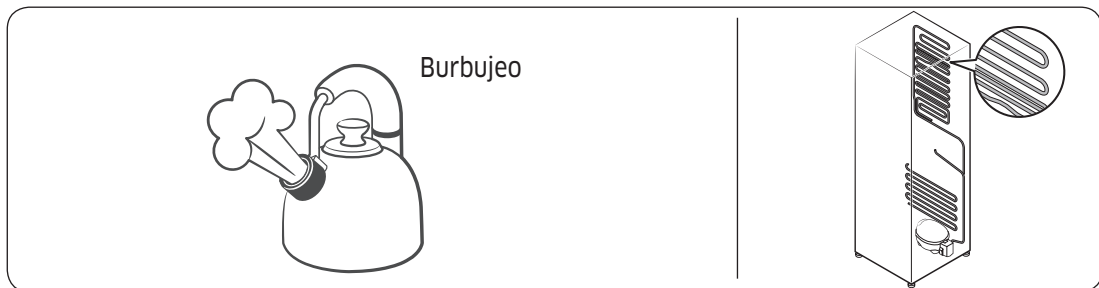


- Durante un ciclo de descongelación, pueden caer gotas de agua sobre el calefactor y producir ruidos de chisporroteo.

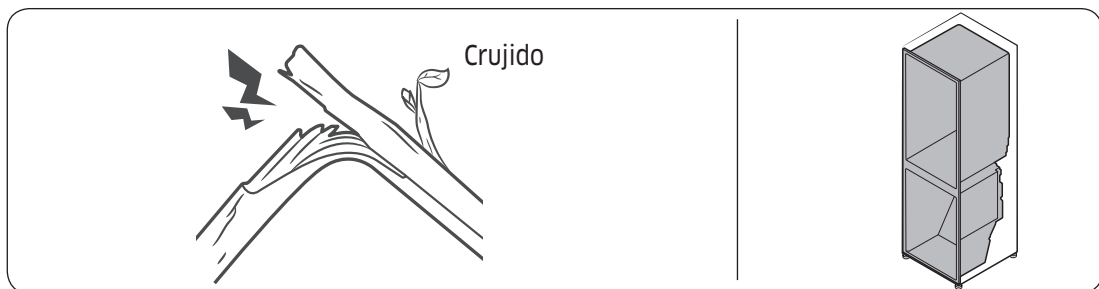


# Solución de problemas

- Cuando el refrigerador enfría o congela, el gas refrigerante circula por las tuberías selladas y produce ruidos de burbujas.



- Cuando la temperatura del refrigerador aumenta o disminuye, las partes plásticas se contraen y se expanden y producen ruidos de golpeteo. Dichos ruidos se producen durante el ciclo de descongelación o cuando las piezas electrónicas están funcionando.



- Para modelos con fábrica de hielo: Cuando la válvula de agua se abre para llenar la fábrica de hielo, pueden emitirse unos zumbidos.
- Debido a la equalización de la presión cuando se abre y cierra la puerta, pueden producirse sonidos silbantes.



## SmartThings

Síntoma	Acción
No se encuentra "SmartThings" en el mercado de aplicaciones.	<ul style="list-style-type: none"> <li>La aplicación SmartThings no está disponible para algunas tabletas e iPad y algunos teléfonos inteligentes.               <ul style="list-style-type: none"> <li>Compatible con sistema operativo [Android] 6.0 o superior (con un mínimo de 2 GB de RAM)</li> <li>Compatible con sistema operativo [iOS] 10.0 o superior/iPhone 6 o superior.</li> </ul> </li> </ul>
La aplicación SmartThings no funciona.	<ul style="list-style-type: none"> <li>La aplicación SmartThings está disponible únicamente para los modelos correspondientes.</li> <li>La aplicación Dacor Smart Refrigerator antigua no puede conectarse con los modelos Dacor Smart Home.</li> </ul>
La aplicación SmartThings está instalada pero no se conecta a mi refrigerador.	<ul style="list-style-type: none"> <li>Debe iniciar una sesión con su cuenta Samsung para utilizar la aplicación.</li> <li>Asegúrese de que su enrutador funcione normalmente.</li> <li>Si el icono de Wi-Fi del visor del refrigerador está apagado, significa que no se ha establecido aún la conexión de red. En este caso, use la aplicación SmartThings para conectarse y registrar el refrigerador en el punto de acceso (PA) de su casa.</li> </ul>
No se puede iniciar una sesión en la aplicación.	<ul style="list-style-type: none"> <li>Debe iniciar una sesión con su cuenta Samsung para utilizar la aplicación.</li> <li>Si no tiene una cuenta Samsung, siga las instrucciones en pantalla de la aplicación para crear una.</li> </ul>
Cuando trato de registrar mi refrigerador aparece un mensaje de error.	<ul style="list-style-type: none"> <li>Easy Connection puede fallar como resultado de la distancia con respecto al punto de acceso (PA) o una interferencia eléctrica del entorno circundante. Espere un momento e inténtelo nuevamente.</li> </ul>
La aplicación SmartThings está conectada correctamente a mi refrigerador pero no funciona.	<ul style="list-style-type: none"> <li>Salga y reinicie la aplicación SmartThings o desconecte el enrutador y vuelva a conectarlo.</li> <li>Apague el refrigerador y vuelva a encenderlo después de 1 minuto.</li> </ul>

# Solución de problemas

## Smart Grid

Síntoma	Acción
¿Qué necesito para utilizar las funciones de gestión de energía y Smart Grid?	<ul style="list-style-type: none"> <li>Para usar las funciones Smart Grid (respuesta a la demanda) y Gestión de energía del refrigerador, se necesitan los siguientes dispositivos y aplicaciones:               <ul style="list-style-type: none"> <li>- Dispositivos: 1) Enrutador inalámbrico, 2) Refrigerador SmartThings, 3) Teléfono inteligente. (Recomendado: Sistema operativo Android 6.0 o una versión posterior)</li> <li>- Aplicaciones: 1) "SmartThings App" (Aplicación SmartThings) de Google Play Store.</li> </ul> </li> <li>También deberá:               <ul style="list-style-type: none"> <li>• Conectar el refrigerador y el teléfono inteligente a la misma red Wi-Fi de su casa.</li> <li>• Instalar y ejecutar la aplicación SmartThings en su teléfono inteligente.</li> <li>• Además, para usar la función Smart Grid (respuesta a la demanda), debe registrar el servicio en su compañía de electricidad. La compañía debe tener un EMS (sistema de gestión de energía) compatible con SEP (perfil de energía inteligente).</li> </ul> </li> </ul>
¿Por qué la función de gestión de energía no opera con normalidad?	<ul style="list-style-type: none"> <li>• Asegúrese de que el enrutador de su casa e Internet operen con normalidad.               <ul style="list-style-type: none"> <li>- Conecte un teléfono inteligente al enrutador (PA, punto de acceso) y asegúrese de que pueda navegar por Internet.</li> </ul> </li> <li>• Asegúrese de que el refrigerador esté conectado al PA.               <ul style="list-style-type: none"> <li>- Verifique que el icono de Wi-Fi aparezca en el panel del refrigerador. Si el refrigerador está conectado, el icono estará encendido.</li> </ul> </li> <li>• Confirme que el refrigerador y el teléfono inteligente estén conectados al mismo enrutador.</li> </ul>
¿Por qué la capacidad de demora del descongelamiento no opera con normalidad?	<ul style="list-style-type: none"> <li>• Asegúrese de que el enrutador de su casa e Internet operen con normalidad.</li> <li>• Conecte un teléfono inteligente al enrutador (PA, punto de acceso) y asegúrese de que pueda navegar por Internet.</li> <li>• Asegúrese de haber ingresado la zona donde vive correctamente en la aplicación SmartThings.</li> <li>• Confirme que la función Smart Grid funcione correctamente. (Verifique el panel de control. Los iconos DAL o TALR no deben visualizarse en el panel).</li> </ul>

# Garantía

## Atención al cliente

Antes de solicitar asistencia o programar un servicio:

1. Pruebe con las soluciones provistas en la tabla de la sección "Solución de problemas".
2. Familiarícese con los términos y condiciones de la garantía del producto.
3. Si ninguno de esos consejos prácticos o sugerencias resuelve su problema, visite [dacor.com](http://dacor.com) o llame a nuestro centro de atención al cliente al (833) 353-5483 (Estados Unidos), (844) 509-4659 (Canadá)

## Estados Unidos - Garantía

CERTIFICADO DE GARANTÍA PARA REFRIGERADOR DACOR - ESTADOS UNIDOS:

### GARANTIA COMPLETA DE DOS AÑOS

Esta garantía cubre cualquier defecto en los materiales o la mano de obra en el nuevo electrodoméstico de la marca Dacor comprado a un distribuidor autorizado de Dacor u otro vendedor autorizado por Dacor.

Esta garantía se aplica por dos años a partir de la fecha del comprobante de la compra minorista original o la fecha de cierre para la nueva construcción, el periodo que sea más largo. Dacor reparará o reemplazará su producto.

### GARANTÍA LIMITADA

Una vez finalizado el período de garantía completa, este producto está garantizado contra defectos de materiales o mano de obra que se nos informen durante los períodos de garantía aplicables de la siguiente manera:

Años 3 a 6 de su propiedad - Piezas y mano de obra del sistema hermético	Durante el tercer al sexto año de su propiedad, pagaremos las piezas especificadas de fábrica y los costos de mano de obra de reparación para corregir defectos en los materiales o la mano de obra en el sistema de refrigeración hermético (compresor, evaporador, condensador, secador y tubería de conexión).
Años 7 a 12 de su propiedad - Solo piezas del sistema hermético	Durante el séptimo al duodécimo año de su propiedad, pagaremos solo las piezas especificadas de fábrica para corregir defectos en el sistema de refrigeración hermético.
Años 13 a 15 de su propiedad - Solo piezas del compresor	Durante el decimotercer al decimoquinto año de su propiedad, pagaremos solo las piezas especificadas de fábrica para corregir defectos en el compresor.

# Garantía

---

**Defectos cosméticos.** Además, durante 60 días a partir de la fecha de compra, se garantiza que su producto está libre de defectos cosméticos en los materiales y la mano de obra (como arañazos del acero inoxidable, manchas en la pintura/porcelana, astillas, abolladuras u otros daños en el acabado). Se excluyen las variaciones de color y se excluyen específicamente los productos de exhibición, modelo de piso, vendidos "tal cual" o reacondicionados.

## LIMITACIONES DE LA COBERTURA

El servicio será ofrecido por una empresa de servicios designada por Dacor durante el horario laboral normal. Les rogamos que tengan en cuenta que los proveedores de servicios no son agentes de Dacor, sino entidades independientes.

El propietario debe proporcionar a solicitud una prueba de compra o una declaración de cierre para la nueva construcción. Todos los productos Dacor deben estar en una ubicación accesible para el servicio.

La garantía se considerará nula y sin efecto en aquellos productos cuyos números de serie y etiquetas hayan sido alterados, desfigurados o eliminados.

La garantía se considerará nula y sin efecto si un producto no aprobado por CSA se transporta desde Estados Unidos.

## LO QUE NO ESTÁ CUBIERTO

<ul style="list-style-type: none"><li>• Pueden observarse ligeras variaciones en el color a causa de diferencias entre las partes pintadas, iluminación de la cocina, ubicación del producto y otros factores; esta garantía no cubre las variaciones de color.</li></ul>	<ul style="list-style-type: none"><li>• Las llamadas de servicio para instruir al cliente acerca del correcto uso y cuidado del producto.</li></ul>
<ul style="list-style-type: none"><li>• Las tarifas de servicio para viajes a islas y áreas remotas, que incluyen, entre otros, transbordadores, carreteras con peaje u otros gastos de viaje.</li></ul>	<ul style="list-style-type: none"><li>• Daños indirectos o accidentales, que incluyen, aunque no de modo taxativo: pérdida de alimentos o medicinas, ausencia del trabajo o comidas en restaurantes.</li></ul>
<ul style="list-style-type: none"><li>• Fines comerciales, empresariales, de alquiler o cualquier otro propósito que no sea el uso residencial por parte del consumidor.</li></ul>	<ul style="list-style-type: none"><li>• Falla del producto causada por una instalación incorrecta.</li></ul>
<ul style="list-style-type: none"><li>• Reemplazo de fusibles o cajas de fusibles domésticos o reajuste de disyuntores.</li></ul>	<ul style="list-style-type: none"><li>• Daños causados por accidentes, incendios, inundaciones, interrupción de alimentación, sobrecargas eléctricas o fenómenos naturales.</li></ul>
<ul style="list-style-type: none"><li>• Responsabilidad por daños a la propiedad circundante, incluyendo gabinetes, pisos, techos y otros objetos o estructuras.</li></ul>	<ul style="list-style-type: none"><li>• Rotura, decoloración o daños a superficies de cristal o metálicas, componentes plásticos, bordes, pintura u otros acabados cosméticos causados por mal uso o cuidado impropio, abuso o negligencia.</li></ul>
<ul style="list-style-type: none"><li>• Excepto en los casos indicados anteriormente, las partes consumibles como filtros y lámparas no están incluidas y son responsabilidad del comprador.</li></ul>	

# Garantía

---

LOS RECURSOS PROPORCIONADOS EN LAS GARANTÍAS EXPRESAS ANTEDICHAS CONSTITUYEN SU ÚNICO Y EXCLUSIVO RECURSO. POR CONSIGUIENTE, NO SE OFRECE NINGUNA OTRA GARANTÍA EXPRESA, Y FUERA DE LOS CINCUENTA ESTADOS DE ESTADOS UNIDOS Y CANADÁ, TODAS LAS GARANTÍAS IMPLÍCITAS, INCLUIDAS, ENTRE OTRAS, LAS GARANTÍAS IMPLÍCITAS DE COMERCIALIZACIÓN O DE IDONEIDAD PARA UN USO O FIN CONCRETO, TIENEN UNA DURACIÓN LIMITADA A UN AÑO A PARTIR DE LA FECHA DE COMPRA ORIGINAL. EN NINGÚN CASO DACOR SERÁ RESPONSABLE DE DAÑOS ACCIDENTALES O INDIRECTOS. EN CASO DE QUE DACOR GANE UN JUICIO, DACOR TENDRÁ DERECHO A RECIBIR DEL CLIENTE EL REEMBOLSO DE TODOS LOS COSTOS Y GASTOS, INCLUIDOS LOS HONORARIOS DEL ABOGADO. NO SE OFRECE GARANTÍA ALGUNA, EXPRESA O IMPLÍCITA, A UN COMPRADOR QUE REVENDA EL PRODUCTO.

Ciertos estados no permiten limitaciones en cuanto a la vigencia de una garantía implícita o no permiten la exclusión o limitación de daños intrascendentes, de tal forma que las limitaciones o excepciones mencionadas tal vez no se apliquen a usted en particular. Esta garantía le otorga derechos legales específicos, e incluso puede otorgarle otros derechos que varían de un estado a otro.

Garante: Samsung Electronics America, Ridgefield Park, NJ, 07660

## CANADÁ - Garantía

### CERTIFICADO DE GARANTÍA PARA REFRIGERADOR DACOR - CANADÁ:

Esta garantía limitada cubre solo aquellos productos suministrados y distribuidos en Canadá por nosotros y entregados nuevos, en la caja o el empaque original, al comprador consumidor original que realiza la compra a un revendedor o distribuidor autorizado, excepto que se indique lo contrario en el presente documento. Excepto donde lo prohíba la ley provincial aplicable, solo el comprador consumidor original del producto tiene derechos en virtud de esta garantía limitada, la cual no se puede transferir ni ceder.

Cualquier declaración adicional, como publicidad o presentación del distribuidor, ya sea oral o escrita, que ofrezca garantías adicionales o modificaciones a la presente garantía limitada no constituye una garantía por parte nuestra y no es confiable.

#### 1. LO QUE ESTÁ CUBIERTO Y POR CUÁNTO TIEMPO

Garantizamos al comprador original ("Comprador") que su Refrigerador Dacor comprado a un revendedor o distribuidor autorizado en Canadá (los "Productos") está libre de defectos en los materiales y la mano de obra encontrados en el uso normal durante el período de garantía identificado a continuación, efectivo a partir de la fecha de compra o fecha de cierre para la nueva construcción, el periodo que sea más largo.

Producto o pieza de Dacor	Periodo y cobertura de la garantía
Refrigerador	Dos (2) años: Piezas y mano de obra
Sistema de refrigeración hermético (compresor, evaporador, condensador, secador y tuberías de conexión)	Seis (6) años: Piezas y mano de obra
Sistema de refrigeración hermético (compresor, evaporador, condensador, secador y tuberías de conexión)	Doce (12) años: Solo piezas
Compresor del refrigerador	Quince (15) años: Solo piezas

**Defectos cosméticos.** Durante sesenta (60) días a partir de la fecha de compra, se garantiza que el producto está libre de defectos cosméticos en los materiales y la mano de obra (como arañazos del acero inoxidable, manchas en la pintura/porcelana, astillas, abolladuras u otros daños en el acabado). Se excluyen las variaciones de color y se excluyen específicamente los productos de exhibición, modelo de piso, vendidos "tal cual" o reacondicionados.

# Garantía

---

## 2. LIMITACIONES DE LA COBERTURA

Si el producto no funciona de acuerdo con las especificaciones durante el periodo de garantía aplicable y la falla se debe a una mano de obra inadecuada o materiales defectuosos, repararemos o reemplazaremos, a nuestro exclusivo criterio, y sin cargo para el comprador, el producto o cualquier otro componente defectuoso del producto. Podemos, a nuestro exclusivo criterio, utilizar piezas o componentes reconstruidos, reacondicionados o nuevos al reparar cualquier producto. Si el mismo modelo de producto o pieza no está disponible para el reemplazo, podemos, a nuestro exclusivo criterio, reemplazar el producto o la pieza con cualquier producto o pieza reconstruida, renovada, reacondicionada o nueva de utilidad y valor similares al producto o la pieza que se reemplaza.

Nos reservamos expresamente el derecho exclusivo, a nuestra entera discreción, y en lugar de cualquier servicio, reparación o reemplazo de un producto en virtud de la presente garantía limitada, de ofrecer al comprador un reembolso parcial del precio de compra original pagado por el comprador por ese producto (un "Reembolso parcial"). El monto de cualquier reembolso parcial que se ofrecerá se determinará a nuestra discreción con base en el valor justo de mercado del producto dada su antigüedad y condición. Si el comprador acepta la oferta de un reembolso parcial, se considerará que nos ha liberado de cualquier reclamo o responsabilidad en virtud de la presente garantía limitada o cualquier otra garantía o condición expresa o implícita aplicable con respecto a ese producto.

Todas las piezas reparadas o los productos reemplazados estarán garantizados por un periodo igual a lo que resta de la garantía limitada original del producto original o por 90 días, el plazo que sea más largo.

## 3. LO QUE NO ESTÁ CUBIERTO

Los recursos previstos en la presente garantía limitada están disponibles solo dentro de Canadá.

Esta garantía limitada no cubre ningún defecto, mal funcionamiento, falla o daño causado por, o que resulte de, cualquiera de los siguientes casos:

- (a) retiro, instalación, reinstalación, mantenimiento o servicio del producto sin nuestra autorización;
- (b) accidente, incendio, inundación, interrupción de energía, sobrecargas de energía, voltaje de línea o suministro incorrecto o corriente eléctrica, fusibles, cableado de la casa, disyuntores, conectores no suministrados por nosotros, tensión eléctrica o electromecánica inusual, casos de fuerza mayor o actos de la naturaleza;
- (c) mal uso, abuso, negligencia, mal manejo, mala aplicación, alteración o modificación del producto o de cualquier pieza del producto;
- (d) uso del producto junto con otros productos, equipos, utilidades, servicios, piezas, suministros, accesorios, aplicaciones, cableado externo, conectores o equipos auxiliares o periféricos no suministrados o autorizados por nosotros;
- (e) usos para los cuales el producto no fue diseñado.



---

Además, esta garantía limitada no cubre: (i) cualquier producto o pieza cuyo número de serie se haya eliminado o se haya vuelto ilegible. Eliminar o dejar ilegible el número de serie de cualquier producto anulará de inmediato la garantía limitada de dicho producto; (ii) cualquier daño que ocurra durante el envío del producto una vez que el comprador ha aceptado el producto; (iii) cualquier daño que resulte de cualquier incumplimiento de las instrucciones de operación, mantenimiento o ambientales contenidas en cualquier folleto de instrucciones o manual del propietario disponible en relación con el producto; (iv) tarifas de servicio para viajes a islas y áreas remotas, que incluyen, entre otros, transbordadores, carreteras con peaje u otros gastos de viaje; (v) reemplazo de fusibles domésticos, cajas de fusibles o reajuste de disyuntores; (vi) responsabilidad por daños a la propiedad circundante, incluidos gabinetes, pisos, techos y otras estructuras u objetos; (vii) el costo de las llamadas de servicio para obtener instrucciones, para la corrección de errores de instalación, para los ajustes del cliente que se explican en el manual del propietario del producto o cuando el producto funciona de acuerdo con las especificaciones. Las llamadas de servicio realizadas por problemas no cubiertos por la presente garantía limitada podrían tener un cargo; (viii) rotura, decoloración o daños a superficies de cristal o metálicas, componentes plásticos, bordes, pintura u otros acabados cosméticos causados por mal uso o cuidado indebido, abuso o negligencia; (ix) excepto en los casos indicados anteriormente, las partes consumibles como filtros y lámparas no están incluidas y son responsabilidad del comprador; (x) fines comerciales, empresariales, de alquiler o cualquier otro propósito que no sea el uso residencial por parte del consumidor; (xi) variaciones en el color a causa de diferencias entre las partes pintadas, iluminación de la cocina, ubicación del producto y otros factores;

No garantizamos un funcionamiento ininterrumpido y sin fallas del producto.

# Garantía

## 4. ¿CUÁLES SON LAS LIMITACIONES DEL SERVICIO DE GARANTÍA A DOMICILIO?

El servicio a domicilio está sujeto a disponibilidad y no está disponible en todas las áreas de Canadá. El servicio a domicilio solo se proporcionará si el producto no está obstruido y es fácilmente accesible desde el nivel del piso para el personal de servicio. Si la reparación no se puede completar durante el servicio a domicilio o si el servicio a domicilio no está disponible en su área, es posible que deba entregar el producto a un centro de servicio autorizado de Dacor para recibir el servicio de garantía. El comprador pagará el costo de transporte del producto hacia y desde un centro de servicio autorizado de Dacor, a menos que decidamos proporcionar ese transporte a nuestra discreción.

Para recibir el servicio a domicilio, el comprador debe comunicarse con el servicio de atención al cliente de Dacor a fin de determinar la naturaleza del problema y conocer los procedimientos del servicio. Todas las reparaciones bajo garantía a domicilio deben ser realizadas por un centro de servicio autorizado de Dacor. Debe presentarnos un comprobante de compra válido al momento de solicitar el servicio y antes de que se presten los servicios de garantía.

Cuando el servicio a domicilio no está disponible, el comprador debe devolver el producto a un centro de servicio autorizado de Dacor para su análisis. Para obtener ayuda sobre dónde entregar el producto, comuníquese con nuestro centro de atención al cliente. El costo de transporte del producto hacia o desde el centro de servicio autorizado correrá a cargo del comprador.

## 5. ¿CUÁLES SON LOS LÍMITES DE NUESTRA RESPONSABILIDAD?

SALVO LO EXPRESAMENTE ESTABLECIDO EN LA PRESENTE GARANTÍA LIMITADA, NUESTRA RESPONSABILIDAD ESTÁ SUJETA A LAS SIGUIENTES LIMITACIONES:

(A) EL COMPRADOR ACEPTA EL PRODUCTO "TAL CUAL" Y NO OFRECEMOS GARANTÍA ALGUNA NI REPRESENTACIÓN DE NINGÚN TIPO CON RESPECTO AL PRODUCTO.

(B) NO EXISTEN CONDICIONES, EXPRESAS O IMPLÍCITAS, ESTATUTARIAS O DE OTRO TIPO, CON RESPECTO AL PRODUCTO

(C) EN PARTICULAR, Y SIN LIMITAR LA GENERALIDAD DE LOS PÁRRAFOS (A) Y (B) ANTERIORES, NO OFRECEMOS GARANTÍA, CONDICIÓN O REPRESENTACIÓN ALGUNA CON RESPECTO A NINGUNO DE LOS SIGUIENTES PUNTOS: (i) LA COMERCIALIZACIÓN DEL PRODUCTO O SU IDONEIDAD PARA CUALQUIER PROPÓSITO O USO EN PARTICULAR; (ii) TITULARIDAD O NO INFRACCIÓN; (iii) DISEÑO, ESTADO, CALIDAD O RENDIMIENTO DEL PRODUCTO; (iv) LA MANO DE OBRA DEL PRODUCTO O DE LOS COMPONENTES CONTENIDOS EN EL MISMO; (v) CUMPLIMIENTO DEL PRODUCTO CON LOS REQUISITOS DE CUALQUIER LEY, REGLA, ESPECIFICACIÓN O CONTRATO RELATIVO AL PRODUCTO.

(D) NINGÚN CONTENIDO DE CUALQUIER MANUAL DE INSTRUCCIONES O MANUAL DEL PROPIETARIO CONSTITUIRÁ UNA GARANTÍA EXPRESA DE NINGÚN TIPO CON RESPECTO AL PRODUCTO.

---

LAS DISPOSICIONES QUE SE ENCUENTRAN EN LOS PÁRRAFOS (E) Y (F) A CONTINUACIÓN NO SE APLICAN EN CIRCUNSTANCIAS EN LAS QUE LA PRESENTE GARANTÍA LIMITADA SE RIGE POR LAS LEYES DE LA PROVINCIA DE QUEBEC.

(E) TODAS LAS GARANTÍAS Y CONDICIONES IMPLÍCITAS QUE PUEDAN SURGIR POR APLICACIÓN DE LA LEY, INCLUIDA CUALQUIER GARANTÍA IMPLÍCITA APLICABLE O CONDICIÓN DE COMERCIALIZACIÓN O ADECUACIÓN PARA UN PROPÓSITO EN PARTICULAR, ESTÁN LIMITADAS A LA MISMA DURACIÓN DE TIEMPO QUE LA PRESENTE GARANTÍA LIMITADA. ALGUNAS PROVINCIAS PROHÍBEN LAS LIMITACIONES A LA DURACIÓN DE UNA GARANTÍA IMPLÍCITA, Y LA LIMITACIÓN A LA DURACIÓN DE LA GARANTÍA IMPLÍCITA NO SE APLICARÁ EN LA MEDIDA EN QUE DICHA LIMITACIÓN ESTÉ PROHIBIDA POR LA LEY PROVINCIAL APLICABLE.

(F) NO SEREMOS RESPONSABLES POR DAÑOS DE NINGÚN TIPO (INCLUYENDO, SIN LIMITACIÓN, CUALQUIER DAÑO INCIDENTAL, ESPECIAL, CONSECUENTE O SIMILAR QUE RESULTE O SURJA DIRECTA O INDIRECTAMENTE DE CUALQUIERA DE LOS SIGUIENTES CASOS: (i) LA COMPRA, USO O MAL USO DEL PRODUCTO; (ii) CUALQUIER PÉRDIDA DE USO DEL PRODUCTO O INCAPACIDAD DE USAR EL PRODUCTO; (iii) CUALQUIER INCUMPLIMIENTO DE LA GARANTÍA EXPRESA; (iv) CUALQUIER PÉRDIDA DE GANANCIAS O BENEFICIOS PREVISTOS; (v) CUALQUIER PÉRDIDA DE ALIMENTOS O CONSUMIBLES; (vi) CUALQUIER AGRAVIO (INCLUYENDO NEGLIGENCIA O NEGLIGENCIA GRAVE) O FALTA COMETIDA POR NOSOTROS, SUS AGENTES O EMPLEADOS; (vii) CUALQUIER INCUMPLIMIENTO DE CONTRATO; (viii) CUALQUIER RECLAMO PRESENTADO CONTRA EL COMPRADOR POR CUALQUIER OTRA PARTE. ALGUNAS PROVINCIAS PROHÍBEN LA EXCLUSIÓN O LIMITACIÓN DE DAÑOS INCIDENTALES O CONSECUENTES, Y LA EXCLUSIÓN ANTERIOR DE DAÑOS INCIDENTALES O CONSECUENTES NO SE APLICARÁ EN LA MEDIDA EN QUE DICHA EXCLUSIÓN ESTÉ PROHIBIDA POR LA LEY PROVINCIAL APLICABLE.

(G) ESTA GARANTÍA LE OTORGA DERECHOS LEGALES ESPECÍFICOS E INCLUSO PUEDE OTORGARLE OTROS DERECHOS, QUE VARÍAN DE UNA PROVINCIA A OTRA. LA PRESENTE GARANTÍA LIMITADA INDICA EL RECURSO EXCLUSIVO DEL COMPRADOR. SALVO DONDE LO PROHÍBE LA LEY PROVINCIAL APLICABLE, LA PRESENTE GARANTÍA LIMITADA NO ES TRANSFERIBLE SIN NUESTRO CONSENTIMIENTO EXPRESO.

(H) SI CUALQUIER PARTE DE ESTA GARANTÍA LIMITADA SE CONSIDERA ILEGAL O IMPOSIBLE DE APLICAR POR MOTIVO DE CUALQUIER LEY, DICHA ILEGALIDAD PARCIAL O IMPOSIBILIDAD DE APLICACIÓN NO AFECTARÁ LA EJECUCIÓN DEL RESTO DE LA PRESENTE GARANTÍA LIMITADA.

Si el producto se compra a un revendedor o distribuidor no autorizado o se compra fuera de Canadá, la presente garantía limitada no se aplica, salvo que se apliquen las limitaciones anteriores especificadas en las Secciones 5(A) a 5(I).

Garante en Canadá: Samsung Electronics Canada Inc., Mississauga, ON, L5N 0B9 Canadá

# Garantía

---

FUERA DE ESTADOS UNIDOS Y CANADÁ:

**GARANTÍA LIMITADA AL PRIMER AÑO**

Si su producto Dacor deja de funcionar antes de que transcurra un año a partir de la fecha de compra original debido a un defecto en los materiales o la mano de obra, Dacor proporcionará una nueva pieza, F.O.B. de fábrica, para reemplazar la pieza defectuosa.

Los costos de entrega, instalación y laborales, así como otros cargos de servicio, son responsabilidad del comprador.

# Aviso regulatorio

---

## Aviso de la FCC

---

### PRECAUCIÓN de la FCC:

Todos los cambios y modificaciones que no cuenten con la aprobación expresa de la parte responsable del cumplimiento pueden invalidar la autoridad del usuario para operar el equipo.

Contiene módulo transmisor FCC ID: A3LCWAP210M

Este aparato cumple con la sección 15 de las Normas de la FCC. El funcionamiento se encuentra sujeto a las siguientes dos condiciones:

- (1) Este aparato no puede causar interferencia dañina y
- (2) Este aparato debe aceptar la recepción de cualquier interferencia, incluidas aquellas que causen un funcionamiento indeseado.

En los productos disponibles en los mercados de los Estados Unidos y Canadá, solo están disponibles los canales 1 a 11.

No es posible seleccionar otros canales.

### DECLARACIÓN DE LA FCC:

Este equipo ha sido sometido a pruebas y se ha determinado que se encuentra dentro de los límites para los dispositivos digitales clase B, de acuerdo con la sección 15 de las Normas de la FCC. Dichos límites han sido diseñados para proporcionar una protección razonable contra la interferencia dañina en una instalación residencial.

Este equipo genera, utiliza y puede irradiar energía de frecuencias de radio y, si no se lo instala y utiliza de acuerdo con las instrucciones, pueden producirse interferencias en las comunicaciones de radio. Sin embargo, no existe garantía alguna de que no habrá interferencia en una instalación determinada. Si el equipo provoca interferencia dañina a la recepción de radio o televisión, que puede determinarse al encender y apagar el equipo, se sugiere que el usuario trate de corregir la interferencia mediante una o más de las siguientes medidas:

- Reorientar o reubicar la antena receptora
- Aumentar la distancia entre el equipo y el receptor
- Conectar el equipo en un tomacorriente que está en un circuito diferente que el receptor.
- Consultar a su distribuidor o a un técnico experimentado en radio/TV para obtener ayuda.

### DECLARACIÓN DE LA FCC SOBRE LA EXPOSICIÓN A LA RADIACIÓN:

Este equipo cumple con los límites de exposición a la radiación establecidos por la FCC para un entorno no controlado.

Este equipo debe instalarse y utilizarse con una distancia mínima de 8 pulgadas (20 cm) entre el radiador y su cuerpo. Este aparato y sus antenas no deben ubicarse ni utilizarse junto con ninguna otra antena o transmisor excepto si se cumplen los procedimientos de la FCC para productos transmisores múltiples.

# Aviso regulatorio

---

## Aviso de la IC

---

Contiene módulo de transmisor IC: 649E-CWAP210M

El término "IC" antes del número de certificación de radio solo significa que cumple con las especificaciones técnicas de la Industria de Canadá. El funcionamiento se encuentra sujeto a las siguientes dos condiciones: (1) Este aparato no puede causar interferencia dañina, y (2) este aparato debe aceptar la recepción de cualquier interferencia, incluidas aquellas que puedan causar un funcionamiento indeseado.

Este aparato digital Clase B cumple con el ICES-003 de Canadá.

Cet appareil numérique de la classe B est conforme à la norme NMB-003 du Canada.

En los productos disponibles en los mercados de los Estados Unidos y Canadá, solo están disponibles los canales 1 a 11. No es posible seleccionar otros canales.

### **DECLARACIÓN DE LA IC SOBRE LA EXPOSICIÓN A LA RADIACIÓN:**

Este equipo cumple con los límites de exposición a la radiación establecidos por la IC RSS-102 para un entorno no controlado. Este equipo debe instalarse y utilizarse con una distancia mínima de 8 pulgadas (20 cm) entre el radiador y su cuerpo. Este aparato y sus antenas no deben ubicarse ni utilizarse junto con ninguna otra antena o transmisor excepto si se cumplen los procedimientos de la FCC para productos transmisores múltiples.

**GUARDE ESTAS INSTRUCCIONES**

# Aviso de código abierto

---

El software incluido en este producto contiene software de código abierto.

El siguiente URL, [http://opensource.samsung.com/opensource/SMART\\_TP2\\_0/seq/0](http://opensource.samsung.com/opensource/SMART_TP2_0/seq/0) lleva a la información de la licencia del código fuente relacionada con este producto.





DA68-04023L-00

***dacor***<sup>®</sup>

---





***dacor***<sup>®</sup>

Manuel d'utilisation

Réfrigérateur

DRF36C700\*\*



# Table des matières

---

<b>Informations importantes</b>	<b>4</b>
Avant de commencer	4
<b>Consignes de sécurité</b>	<b>5</b>
Ce que vous devez savoir concernant les consignes de sécurité	5
Consignes et symboles de sécurité importants :	6
Avertissement de la proposition 65 de l'État de Californie	6
Mesures importantes de sécurité	6
Symboles de mise en garde importants concernant le transport et le lieu d'installation de l'appareil	8
Mises en garde importantes concernant l'installation	9
Mises en garde concernant l'installation	11
Mises en garde importantes concernant l'utilisation	11
Mises en garde concernant l'utilisation	14
Mises en garde concernant le nettoyage	15
Mises en garde importantes concernant la mise au rebut	16
<b>Installation</b>	<b>17</b>
Présentation rapide du réfrigérateur	18
Installation étape par étape	21
<b>Opérations</b>	<b>40</b>
Panneau de commande	40
Application SmartThings	45
Fonction SMART GRID (Réponse à la demande) (modèles applicables uniquement)	48
Fonctions spéciales	52
<b>Maintenance</b>	<b>59</b>
Utilisation et entretien	59
Nettoyage	63
Remplacement	64

---

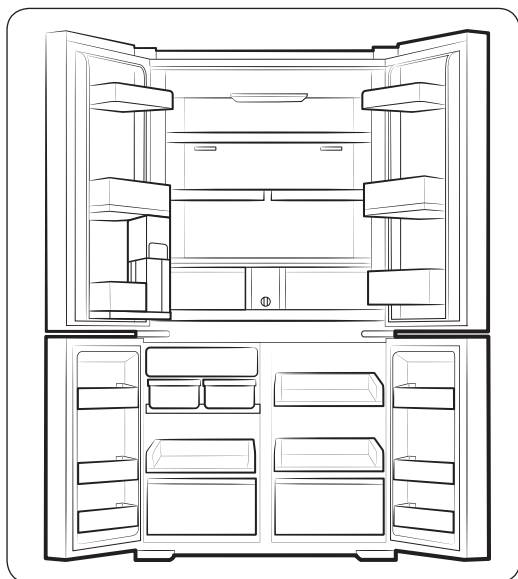
<b>Dépannage</b>	<b>67</b>
Généralités	67
Votre réfrigérateur émet un bruit anormal ?	71
Application SmartThings	73
Smart Grid (Réponse à la demande)	74
<b>Garantie</b>	<b>75</b>
États-Unis - Garantie	75
Canada - Garantie	79
<b>Avis d'application de la réglementation</b>	<b>85</b>
Norme FCC	85
Norme IC	86
<b>Annonce de logiciel open source</b>	<b>87</b>

---

# Informations importantes

## Avant de commencer

Informations importantes



### Installateur

- Conservez ces consignes d'utilisation et d'entretien avec votre appareil.

### Consommateur

- Veuillez lire ce manuel d'utilisation et d'entretien dans son intégralité avant d'utiliser votre réfrigérateur. Gardez-le pour le consulter ultérieurement.

Conservez votre reçu de vente ou un chèque annulé. Une preuve d'achat originale indiquant la date d'achat est requise pour le service de garantie.

Repérez les numéros de modèle et de série pour préparer votre appareil.

Vous trouverez ces numéros sur l'étiquette située à l'intérieur de la paroi du réfrigérateur. Notez ces numéros ci-dessous pour plus de praticité.

Numéro de modèle	
Numéro de série	
Date d'achat	

# Consignes de sécurité

---

Avant d'utiliser votre nouveau réfrigérateur Dacor, veuillez lire attentivement ce manuel afin de vous assurer que vous savez comment utiliser de manière sûre et efficace ses différentes fonctionnalités.

## Ce que vous devez savoir concernant les consignes de sécurité

---

- Cet appareil n'est pas conçu pour être utilisé par des personnes (y compris des enfants) manquant d'expérience et de connaissances, ou dont les capacités physiques, sensorielles ou mentales sont réduites, sauf si celles-ci sont sous la surveillance ou ont reçu les instructions d'utilisation appropriées de la personne responsable de leur sécurité. Il est nécessaire de surveiller les enfants pour s'assurer qu'ils ne jouent pas avec l'appareil.
- Les instructions suivantes concernent plusieurs modèles ; il est donc possible que les caractéristiques de votre réfrigérateur soient légèrement différentes de celles spécifiées dans ce manuel.
- Pour toute question, trouvez de l'aide ou des informations en ligne sur [www.dacor.com](http://www.dacor.com).
- Le gaz réfrigérant qui pourrait s'échapper des tuyaux risquerait de s'enflammer ou de provoquer des lésions oculaires. En cas de fuite de réfrigérant, n'approchez pas de flamme nue, éloignez tout objet inflammable de l'appareil et aérez immédiatement la pièce.
  - Le non-respect de cette consigne risquerait de provoquer un incendie ou une explosion.
- Toute utilisation non conforme de la fiche de mise à la terre peut présenter un risque de choc électrique. Si l'utilisation d'une rallonge s'avère nécessaire, utilisez uniquement une rallonge à trois fils munie d'une fiche de mise à la terre à trois broches que vous brancherez dans une prise à trois alvéoles compatible avec la fiche de l'appareil. Les caractéristiques électriques de la rallonge doivent être de 115-120 V c.a. et 10 A minimum. Si un adaptateur de mise à la terre est utilisé, vérifiez que la boîte de prise de courant est entièrement mise à la terre.



# Consignes de sécurité

---

## Consignes et symboles de sécurité importants :

---

Veillez suivre toutes les instructions relatives à la sécurité fournies dans le présent manuel. Le présent manuel utilise les symboles de sécurité suivants.

### **AVERTISSEMENT**

Pratiques inadaptées ou dangereuses susceptibles de causer des blessures graves, voire mortelles, et des dommages matériels.

### **ATTENTION**

Pratiques inadaptées ou dangereuses susceptibles de causer des blessures graves et/ou des dommages matériels.

### **REMARQUE**

Informations utiles qui aident l'utilisateur à comprendre ou utiliser le réfrigérateur.

Ces symboles d'avertissement ont pour but d'éviter tout risque de blessure.

Respectez-les en toutes circonstances.

Lisez attentivement la présente section et conservez le guide en lieu sûr afin de pouvoir le consulter ultérieurement.

## Avertissement de la proposition 65 de l'État de Californie

---

### **AVERTISSEMENT**

Cancer et troubles de la reproduction : [www.P65Warnings.ca.gov](http://www.P65Warnings.ca.gov).

## Mesures importantes de sécurité

---



Avertissement : risque d'incendie / matériaux inflammables

### **AVERTISSEMENT**

- Le gaz réfrigérant utilisé est le R-600a. Cet appareil contient du gaz inflammable (gaz réfrigérant R-600a) ; veuillez communiquer avec les autorités locales pour obtenir des renseignements sur la mise au rebut en toute sécurité de votre appareil.



- Afin d'éviter la création d'un mélange gaz-air inflammable lorsqu'une fuite se produit dans le circuit frigorifique, la taille de la pièce où installer l'appareil dépend de la quantité de gaz réfrigérant utilisée. La pièce doit avoir un volume de 35,3 pi<sup>3</sup> pour chaque 8 g de gaz réfrigérant R-600a à l'intérieur de l'appareil.
- L'emplacement choisi pour l'installation ne doit pas être exposé à la lumière directe du soleil et ne doit pas être placé à proximité d'une source de chaleur ou d'un autre appareil électrique, par exemple d'une cuisinière, d'un four, d'une plaque chauffante ou encore d'un radiateur.
- Pour des raisons de sécurité, si vous utilisez deux appareils côte à côte, assurez-vous d'utiliser des appareils certifiés dans les atmosphères contenant des gaz explosifs.
- Ne démarrez jamais un appareil qui présente des signes d'endommagement. En cas de doutes, communiquez avec votre revendeur.
- Si le cordon d'alimentation est endommagé, il doit être remplacé par le fabricant, un fournisseur de service ou toute autre personne qualifiée afin d'éviter tout risque.
- La prise doit être facilement accessible afin de pouvoir rapidement débrancher l'appareil de l'alimentation en cas d'urgence. Elle ne doit pas se situer derrière l'appareil.
- Dans cet appareil, ne stockez pas de substances explosives telles que des aérosols avec un propulseur inflammable.
- Les jeux de tuyaux neufs fournis avec l'appareil doivent être utilisés et les anciens ne doivent pas être réutilisés.
- Lors du positionnement de l'appareil, assurez-vous que le cordon d'alimentation n'est pas coincé ou endommagé.
- Ne placez pas plusieurs rallonges électriques ou sources d'alimentation portables à l'arrière de l'appareil.

### **AVERTISSEMENT**

- Remplir uniquement avec de l'eau potable.
- Maintenir dégagées les ouvertures de ventilation dans l'enceinte de l'appareil ou dans la structure d'encastrement.
- Ne pas utiliser de dispositifs mécaniques ou autres moyens pour accélérer le processus de dégivrage autres que ceux recommandés par le fabricant.
- Ne pas endommager le circuit de réfrigération.
- Ne pas utiliser d'appareils électriques à l'intérieur du compartiment de stockage des denrées, à moins qu'ils ne soient du type recommandé par le fabricant.
- Raccordez le réfrigérateur à une source d'eau potable uniquement.

### **AVERTISSEMENT**

- Risque d'enfermer les enfants. Avant de jeter votre vieux réfrigérateur ou congélateur :
  - Retirer les portes.
  - Laisser les tablettes en place pour que les enfants ne puissent pas facilement grimper à l'intérieur.



# Consignes de sécurité

---

## ATTENTION

- Risque d'incendie ou d'explosion. Gaz réfrigérant inflammable utilisé. N'utilisez pas d'appareils mécaniques pour dégivrer le réfrigérateur. Ne percez pas le tube de gaz réfrigérant.
- Risque d'incendie ou d'explosion. Gaz réfrigérant inflammable utilisé. Les réparations doivent être effectuées uniquement par un personnel d'entretien qualifié. Ne percez pas le tube de gaz réfrigérant.
- Risque d'incendie ou d'explosion. Gaz réfrigérant inflammable utilisé. Consultez le guide de réparation/Guide d'utilisation avant de tenter une intervention sur cet appareil. Toutes les consignes de sécurité doivent être respectées.
- Risque d'incendie ou d'explosion. Procédez correctement à la mise au rebut en respectant les réglementations fédérales ou locales en vigueur. Gaz réfrigérant inflammable utilisé.
- Risque d'incendie ou d'explosion en cas de perforation de tube de gaz réfrigérant ; respectez scrupuleusement les instructions de manipulation. Gaz réfrigérant inflammable utilisé.
- Afin d'éviter tout risque d'enfermement des enfants, conservez hors de la portée des enfants et à distance du congélateur ou du réfrigérateur.

**Cet appareil est destiné à être utilisé dans les applications domestiques et similaires telles que :**

- zones de cuisine du personnel dans les magasins, bureaux et autres environnements de travail ;
- fermes et clients d'hôtels, motels et autres environnements de type résidentiel ;
- environnement de type « chambres d'hôtes » ;
- applications de restauration et collectives similaires.

## **Symboles de mise en garde importants concernant le transport et le lieu d'installation de l'appareil**

---

### AVERTISSEMENT

- Veillez à ce qu'aucune pièce du circuit frigorifique ne soit endommagée pendant le transport ou l'installation de l'appareil.
  - Risque d'incendie ou de lésions oculaires en cas de fuite de réfrigérant. En cas de fuite, n'approchez pas de flamme nue ou de source d'inflammation potentielle et aérez la pièce pendant plusieurs minutes.
  - Cet appareil contient une faible quantité de réfrigérant isobutane (R-600a), un gaz naturel présentant une compatibilité écologique élevée, mais qui est aussi inflammable.







---

## Mises en garde importantes concernant l'installation

---

### **AVERTISSEMENT**

- N'installez pas le réfrigérateur dans un lieu humide ou dans un lieu où il est susceptible d'être en contact avec de l'eau.
  - Une détérioration de l'isolation sur des composants électriques est susceptible de provoquer un choc électrique ou un incendie.
- N'installez pas le réfrigérateur dans un endroit exposé à la lumière directe du soleil ou à proximité d'une cuisinière, d'un appareil de chauffage ou d'autres appareils.
- Ne branchez pas plusieurs appareils et le réfrigérateur sur la même multiprise. Le réfrigérateur doit toujours être branché dans une prise de courant indépendante dotée d'une tension nominale correspondant à celle figurant sur la plaque signalétique du réfrigérateur.
  - Ceci permet de bénéficier de performances optimales mais également d'éviter une surcharge des circuits électriques de la maison, ce qui pourrait entraîner une surchauffe des fils et présenter un risque d'incendie.
- Ne branchez pas la fiche d'alimentation dans une prise murale mal fixée.
  - Un choc électrique ou un incendie pourraient en résulter.
- N'utilisez pas de cordon dont la gaine est craquelée ou endommagée à quelque endroit ou à l'une de ses extrémités.
- Ne pliez pas le cordon d'alimentation à l'excès et ne posez pas d'objets lourds dessus.
- Ne tirez pas ou ne pliez pas excessivement le cordon d'alimentation.
- Ne tordez pas ou ne nouez pas le cordon d'alimentation.
- N'accrochez pas le cordon d'alimentation sur un objet métallique, ne placez pas un objet lourd sur le cordon d'alimentation, n'insérez pas le cordon d'alimentation entre des objets, ou n'enfoncez pas le cordon d'alimentation dans l'espace situé derrière l'appareil.
- Lorsque vous déplacez le réfrigérateur, assurez-vous qu'il ne roule pas sur le cordon d'alimentation, et prenez garde de ne pas endommager ce dernier.
  - Un choc électrique ou un incendie pourraient en résulter.
- Ne débranchez jamais le réfrigérateur en tirant sur le cordon d'alimentation. Maintenez toujours fermement la fiche pour la débrancher de la prise de courant.
  - Tout dommage causé au cordon est susceptible d'entraîner un court-circuit, un incendie et/ou un choc électrique.
- N'installez pas cet appareil près d'une source de chaleur ni d'un matériau inflammable.
- N'installez pas cet appareil dans un endroit où des fuites de gaz sont susceptibles de se produire.
  - Un choc électrique ou un incendie pourraient en résulter.
- Ce réfrigérateur doit être correctement situé et installé conformément aux instructions du présent guide avant d'être utilisé.
- Branchez la fiche d'alimentation de façon à ce que le cordon pende vers le bas.
  - Si vous branchez la fiche d'alimentation à l'envers, le fil est susceptible de se rompre et de provoquer un incendie ou un choc électrique.
- Assurez-vous que la fiche d'alimentation n'est pas écrasée ou endommagée par le dos du réfrigérateur.





# Consignes de sécurité

---

- Gardez les matériaux d'emballage hors de portée des enfants.
  - Il y a un risque d'asphyxie si un enfant place les matériaux d'emballage sur sa tête.
- L'appareil doit être positionné de façon à ce que la fiche reste accessible après l'installation.
  - Le non-respect de cette consigne risquerait de provoquer un choc électrique ou un incendie en raison de fuites électriques.
- N'installez pas cet appareil dans un lieu humide, huileux ou poussiéreux, ni dans un endroit exposé directement au soleil ou à l'eau (gouttes de pluie).
  - Une détérioration de l'isolation sur des composants électriques est susceptible de provoquer un choc électrique ou un incendie.
- Si de grandes quantités de poussière ou d'eau entrent dans le réfrigérateur, débranchez la fiche d'alimentation et communiquez avec un centre de service Dacor.
  - À défaut, il existe un risque d'incendie.
- Ne montez pas sur l'appareil et ne placez pas d'objets (tels que du linge, des bougies allumées, des cigarettes allumées, de la vaisselle, des produits chimiques, des objets métalliques, etc.) sur celui-ci.
  - Le non-respect de cette consigne risque d'entraîner un choc électrique, un incendie, un dysfonctionnement de l'appareil ou des blessures corporelles.
- Vous devez retirer toutes les pellicules protectrices en plastique avant de brancher l'appareil pour la première fois.
- Les enfants doivent être sous surveillance afin de s'assurer qu'ils ne jouent pas avec les circlips utilisés pour l'ajustement de la porte ou avec les brides du tuyau d'eau.
  - Il existe un risque de mort par suffocation si un enfant avale un circlip ou une bride du tuyau d'eau. Tenez les circlips et les brides du tuyau d'eau hors de portée des enfants.
- Le réfrigérateur doit être correctement mis à la terre.
  - Veillez toujours à ce que le réfrigérateur soit branché à la terre avant de vérifier ou de réparer n'importe quelle partie de l'appareil. Les fuites électriques peuvent provoquer des chocs électriques graves.
- N'utilisez jamais de conduites de gaz, de fils téléphoniques ou d'autres éléments susceptibles d'attirer la foudre pour relier l'appareil à la terre.
  - Le réfrigérateur doit être mis à la terre afin d'éviter les dissipations d'énergie ou les chocs électriques provoqués par les fuites de courant de l'appareil.
  - Le non-respect de cette consigne risque d'entraîner un choc électrique, un incendie, une explosion ou un dysfonctionnement de l'appareil.
- Branchez fermement la fiche dans la prise murale. N'utilisez pas de fiche d'alimentation endommagée, de cordon d'alimentation endommagé ou de prise murale mal fixée.
  - Un choc électrique ou un incendie pourraient en résulter.
- Seul un technicien qualifié ou une société de service doit être autorisé(e) à changer le fusible dans le réfrigérateur.
  - Le non-respect de cette consigne risquerait de provoquer un choc électrique ou des blessures corporelles.



---

## Mises en garde concernant l'installation

---

### ATTENTION

- Laissez un espace suffisant autour du réfrigérateur et installez celui-ci sur une surface plane.
  - N'obstruez pas l'espace de ventilation à l'intérieur du réfrigérateur ou de son caisson.
- Après avoir installé et mis sous tension votre réfrigérateur, laissez l'appareil au repos pendant 2 heures avant de le remplir d'aliments.
- Il est vivement recommandé de faire appel à un technicien qualifié ou à une entreprise de dépannage pour installer le réfrigérateur.
  - Le non-respect de cette consigne risque d'entraîner un dysfonctionnement, un choc électrique, un incendie, une explosion ou des blessures corporelles.
- Si vous surchargez l'une des portes, le réfrigérateur peut se renverser et vous pouvez vous blesser.

---

## Mises en garde importantes concernant l'utilisation

---

### AVERTISSEMENT

- Ne branchez pas la prise d'alimentation si vous avez les mains mouillées.
  - Cela pourrait causer un choc électrique.
- N'entreposez pas d'objets sur le dessus de l'appareil.
  - Lors de l'ouverture ou de la fermeture de la porte, les objets pourraient tomber et provoquer des blessures corporelles et/ou des dommages matériels.
- Ne placez pas vos mains, vos pieds, ni des objets métalliques (baguettes métalliques, etc.) sous le réfrigérateur ou à l'arrière de celui-ci.
  - Un choc électrique ou des blessures corporelles pourraient en résulter.
  - Les bords coupants sont susceptibles de provoquer des blessures corporelles.
- Ne touchez pas les parois intérieures du congélateur ni les produits qui y sont rangés si vous avez les mains mouillées.
  - Risque de gelures.
- Ne placez pas de récipient rempli d'eau sur le réfrigérateur.
  - En cas de renversement, cela pourrait entraîner un incendie ou un choc électrique.
- Ne stockez pas d'objets ou de substances volatiles ou inflammables (benzène, diluant, propane, alcool, éther, gaz liquéfié et toute autre substance similaire) dans le réfrigérateur.
  - Le réfrigérateur a été conçu exclusivement pour le rangement de produits alimentaires.
  - Cela pourrait entraîner un incendie ou une explosion.
- Il est nécessaire de surveiller les enfants pour s'assurer qu'ils ne jouent pas avec l'appareil.
  - Maintenez les doigts éloignés des zones contenant des « points de pincement ». Le jeu entre les portes et l'armoire doit nécessairement être faible. Soyez attentif lorsque vous ouvrez les portes si des enfants se trouvent à proximité.



# Consignes de sécurité

---

- Ne laissez pas les enfants se suspendre à la porte de l'appareil ou aux bacs des portes. Ils risqueraient de se blesser.
- Ne laissez pas les enfants entrer dans le réfrigérateur. Ils risqueraient de rester emprisonnés.
- Ne placez pas vos mains sous l'appareil.
  - Les bords coupants sont susceptibles de provoquer des blessures corporelles.
- Ne rangez pas de produits pharmaceutiques, chimiques ou sensibles aux températures dans le réfrigérateur.
  - Les produits nécessitant un contrôle strict de la température ne doivent pas être entreposés dans le réfrigérateur.
- Ne placez pas et n'utilisez pas d'appareils électriques à l'intérieur du réfrigérateur/congélateur sauf s'il s'agit d'un type recommandé par le fabricant.
- Si vous sentez de la fumée, débranchez immédiatement la fiche d'alimentation puis communiquez avec un centre de service Dacor.
- Si de grandes quantités de poussière ou d'eau entrent dans le réfrigérateur, débranchez la fiche et prenez contact avec votre centre de service Dacor.
  - À défaut, il existe un risque d'incendie.
- Ne laissez pas les enfants monter sur un bac.
  - Le bac risquerait de se casser et de provoquer leur chute.
- Ne laissez pas les portes du réfrigérateur ouvertes lorsque l'appareil n'est pas sous surveillance et ne laissez pas les enfants se glisser à l'intérieur de l'appareil.
- Ne laissez pas les bébés ou jeunes enfants monter dans un tiroir.
  - Ils pourraient s'étouffer ou se blesser.
- Ne remplissez pas trop le réfrigérateur.
  - Lors de l'ouverture de la porte, un article pourrait tomber et provoquer des blessures corporelles ou des dommages matériels.
- Ne vaporisez pas de substance volatile telle qu'un insecticide sur la surface de l'appareil.
  - Ces produits peuvent s'avérer dangereux pour la santé et risquent en outre de provoquer un choc électrique, un incendie ou un dysfonctionnement de l'appareil.
- Ne mettez jamais les doigts ni d'objets dans la sortie du distributeur d'eau, le conduit d'écoulement ou le bac à glaçons.
  - Cela pourrait provoquer des blessures corporelles ou des dommages matériels.
- N'utilisez pas ni n'entrez pas de substances thermosensibles (ex. : pulvérisateurs ou objets inflammables, glace sèche, médicaments ou produits chimiques) à proximité ou à l'intérieur du réfrigérateur.
- N'utilisez pas de séchoir à cheveux pour sécher l'intérieur du réfrigérateur. Ne placez pas de bougie allumée à l'intérieur du réfrigérateur pour en éliminer les mauvaises odeurs.
  - Un choc électrique ou un incendie pourraient en résulter.



- Remplissez le réservoir et le bac à glaçons d'eau potable uniquement (eau du robinet, eau minérale ou eau purifiée).
  - Ne remplissez pas le réservoir avec du thé, du jus ou une boisson énergisante. Cela pourrait endommager le réfrigérateur.
- Ne montez pas sur l'appareil et ne placez pas d'objets (tels que du linge, des bougies allumées, des cigarettes allumées, de la vaisselle, des produits chimiques, des objets métalliques, etc.) sur celui-ci. Le non-respect de cette consigne risque d'entraîner un choc électrique, un incendie, un dysfonctionnement de l'appareil ou des blessures corporelles. Ne placez pas de récipient rempli d'eau sur l'appareil.
  - En cas de renversement, cela pourrait entraîner un incendie ou un choc électrique.
- Ne fixez jamais directement l'ampoule DEL UV pendant une période prolongée.
  - Cela risquerait d'entraîner une fatigue oculaire due aux rayons ultraviolets.
- Ne placez pas les tablettes dans le réfrigérateur à l'envers. La butée des tablettes ne fonctionnera pas.
  - La tablette en verre pourrait tomber et provoquer des blessures corporelles.
- Maintenez les doigts éloignés des zones contenant des « points de pincement ». Le jeu entre les portes et l'armoire doit nécessairement être faible. Soyez attentif lorsque vous ouvrez les portes si des enfants se trouvent à proximité.
- Si une fuite de gaz est détectée, évitez toute flamme nue ou source potentielle d'inflammation et aérez pendant plusieurs minutes la pièce dans laquelle se trouve l'appareil.
  - Ne touchez pas à l'appareil ou au cordon d'alimentation.
  - N'utilisez pas de ventilateur.
  - Une étincelle risquerait de provoquer une explosion ou un incendie.
- Utilisez uniquement les ampoules DEL fournies par le fabricant ou son réparateur autorisé.
- Serrez les bouteilles les unes contre les autres pour éviter qu'elles ne glissent ou ne tombent.
- Cet appareil est destiné au rangement des aliments dans un environnement domestique uniquement.
- Ne tentez pas de réparer, démonter ou modifier le réfrigérateur vous-même.
  - Des modifications non autorisées peuvent générer des problèmes de sécurité. Pour annuler une modification non autorisée, nous facturons le coût total des pièces et de la main d'œuvre.
- N'utilisez aucun fusible (tel que du cuivre, un fil d'acier, etc.) autre qu'un fusible standard.
- Si votre réfrigérateur doit être réparé ou réinstallé, communiquez avec votre centre de service Dacor le plus proche.
  - Le non-respect de cette consigne risque d'entraîner un dysfonctionnement, un choc électrique, un incendie ou des blessures corporelles.
- Veuillez contacter votre centre de service Dacor le plus proche lorsque l'ampoule DEL intérieure ou extérieure est grillée.
- Si le réfrigérateur dégage une odeur de brûlé ou de la fumée, débranchez-le immédiatement et prenez contact avec un centre de service Dacor.
  - Le non-respect de cette consigne risquerait de provoquer un incendie ou un choc électrique.

# Consignes de sécurité

---

- Débranchez le réfrigérateur avant de remplacer les ampoules intérieures.
  - Sinon, il pourrait y avoir un risque de choc électrique.
- Communiquez avec votre centre de service Dacor si vous éprouvez des difficultés à remplacer une ampoule (qui n'est pas une DEL).
- Si l'appareil est équipé d'ampoules DEL, ne démontez pas vous-même les caches des lampes et les ampoules.
  - Contactez un centre de service Dacor.
- Branchez fermement la fiche dans la prise murale.
- N'utilisez pas de fiche d'alimentation endommagée, de cordon d'alimentation endommagé ou de prise murale mal fixée.
  - Un choc électrique ou un incendie pourraient en résulter.

## Mises en garde concernant l'utilisation

---

### **ATTENTION**

- Ne recongelez pas un aliment qui a complètement décongelé.
- Utilisez uniquement la machine à glaçons fournie avec le réfrigérateur.
- Pour un fonctionnement optimal de l'appareil :
  - Ne placez pas d'aliments trop près des orifices de ventilation à l'arrière du réfrigérateur car ils pourraient empêcher la libre circulation de l'air dans la partie réfrigération.
  - Emballez bien les aliments ou mettez-les dans des récipients hermétiques avant de les placer dans le réfrigérateur.
  - Respectez les durées de congélation et les dates de péremption associées aux aliments surgelés.
- Ne placez pas de récipients ou de bouteilles en verre ni de boissons gazeuses dans le congélateur.
  - Le récipient peut geler et se briser, ce qui peut entraîner une blessure.
- Garantie de réparation et modification.
  - Les changements et modifications apportés à cet appareil par un tiers ne sont pas couverts par le service de garantie Dacor. Dacor ne peut être tenue responsable des problèmes de sécurité résultant des modifications apportées par un tiers.
- N'obstruez pas les orifices de ventilation à l'intérieur du réfrigérateur.
  - Si les ventilations d'air sont obstruées, notamment par un sac en plastique, le réfrigérateur risque de trop refroidir. Une période de refroidissement trop longue risque d'endommager le filtre à eau et de provoquer des fuites.
- Si le réfrigérateur est débranché de la prise d'alimentation, patientez au moins cinq minutes avant de le rebrancher.
- Si de grandes quantités d'eau entrent dans le réfrigérateur, débranchez la fiche d'alimentation et prenez contact avec un centre de service Dacor.

- Ne frappez pas une surface en verre ou n'y appliquez pas une force excessive.
  - Du verre brisé pourrait entraîner des blessures corporelles et/ou des dommages.
- Remplissez le réservoir et le bac à glaçons d'eau potable uniquement (eau du robinet, eau minérale ou eau purifiée).
  - Ne remplissez pas le réservoir avec du thé, du jus ou une boisson énergisante. Cela pourrait endommager le réfrigérateur.
- Si le réfrigérateur est inondé, coupez l'alimentation de ce dernier et prenez contact avec votre centre de service Dacor le plus proche.
  - Un choc électrique ou un incendie pourraient en résulter.
- Ne conservez pas d'huile végétale dans les bacs de la porte de votre réfrigérateur. L'huile risque de se solidifier, de prendre un goût infect et de devenir difficile à utiliser. De plus, le récipient ouvert peut fuir et l'huile qui a coulé risque de faire fissurer le bac de la porte. Après avoir ouvert un récipient d'huile, le mieux est de le conserver dans un endroit frais et à l'abri de la lumière, comme un placard ou un cellier.
  - Exemples d'huile végétale : huile d'olive, huile de maïs, huile de pépins de raisin, etc.

## Mises en garde concernant le nettoyage

### **ATTENTION**

- Ne vaporisez pas directement de l'eau à l'intérieur ou à l'extérieur du réfrigérateur.
  - Risque d'incendie ou de choc électrique.
- N'utilisez pas de séchoir à cheveux pour sécher l'intérieur du réfrigérateur.
- Ne placez pas de bougie allumée à l'intérieur du réfrigérateur pour en éliminer les mauvaises odeurs.
  - Un choc électrique ou un incendie pourraient en résulter.
- Ne vaporisez pas de produit de nettoyage directement sur l'écran.
  - Les caractères imprimés risqueraient de s'effacer.
- Si un corps étranger tel que de l'eau a pénétré dans l'appareil, débranchez la fiche d'alimentation et communiquez avec votre centre de service Dacor le plus proche.
  - Le non-respect de cette consigne risquerait de provoquer un incendie ou un choc électrique.
- Utilisez un chiffon propre et sec pour éliminer toute poussière ou corps étranger des lames de la fiche d'alimentation. N'utilisez pas de chiffon mouillé ou humide lors du nettoyage de la prise.
  - Sinon, il pourrait y avoir un risque d'incendie ou de choc électrique.
- Ne nettoyez pas l'appareil en vaporisant de l'eau directement sur celui-ci.
- N'utilisez pas de benzène, de diluant ou d'eau de Javel (Clorox) pour le nettoyage du réfrigérateur.
  - Ces produits risquent d'endommager la surface de l'appareil et de provoquer un incendie.
- Ne mettez jamais les doigts ni d'objets dans la sortie du distributeur.
  - Cela peut provoquer des blessures corporelles ou des dommages matériels.



# Consignes de sécurité

---

- Débranchez l'appareil de la prise murale avant de le nettoyer et d'en faire l'entretien.
  - Le non-respect de cette consigne risquerait de provoquer un incendie ou un choc électrique.
- Utilisez une éponge propre ou un chiffon doux avec un nettoyant doux et de l'eau tiède pour nettoyer le réfrigérateur.
- N'utilisez pas de nettoyants abrasifs ou agressifs (produits à vitres, produits de décapage, liquides inflammables, acide chlorhydrique, cires nettoyantes, produits de nettoyage concentrés, agents de blanchissage ou produits de nettoyage contenant du pétrole) sur les surfaces extérieures (portes et meuble), les pièces en plastique, les revêtements intérieurs et de la porte, et les joints.
  - Ces produits risquent de rayer ou d'endommager le matériau.
- Ne nettoyez pas les clayettes en verre ou les caches avec de l'eau tiède lorsqu'ils sont froids. Les clayettes en verre et les caches risquent de se casser s'ils sont exposés à des changements soudains de température ou à des chocs (coups ou chutes).

## Mises en garde importantes concernant la mise au rebut

---

### **AVERTISSEMENT**

- Les enfants qui se retrouvent coincés à l'intérieur peuvent se blesser ou suffoquer et en mourir.
- Jetez le matériel d'emballage de cet appareil dans le respect de l'environnement.
- Assurez-vous qu'aucun des tuyaux situés à l'arrière du réfrigérateur n'est endommagé avant sa mise au rebut.
- Cet appareil contient du R-600a, un gaz inflammable utilisé comme réfrigérant. Pour obtenir des renseignements sur la mise au rebut en toute sécurité de cet appareil, veuillez prendre contact avec les autorités locales.
- Lors de la mise au rebut de ce réfrigérateur, retirez la porte/les joints de porte ainsi que le loquet de la porte afin que des petits enfants ou des animaux ne puissent pas se retrouver enfermés à l'intérieur. Il est nécessaire de surveiller les enfants pour s'assurer qu'ils ne jouent pas avec l'appareil.
  - S'il se retrouve emprisonné à l'intérieur, l'enfant risquerait de se blesser ou de s'asphyxier.
- Du cyclopentane est utilisé comme isolant. Les gaz utilisés pour l'isolation nécessitent une procédure d'élimination spéciale. Pour obtenir des renseignements sur la façon écologique de mettre cet appareil au rebut, veuillez prendre contact avec les autorités locales.
- Conservez les matériaux d'emballage hors de portée des enfants, car ils présentent un danger pour ces derniers.
  - Un enfant pourrait suffoquer s'il met sa tête dans un sac.





# Installation

---

Avant toute utilisation, respectez scrupuleusement ces consignes pour assurer une installation adéquate du réfrigérateur et éviter les accidents.

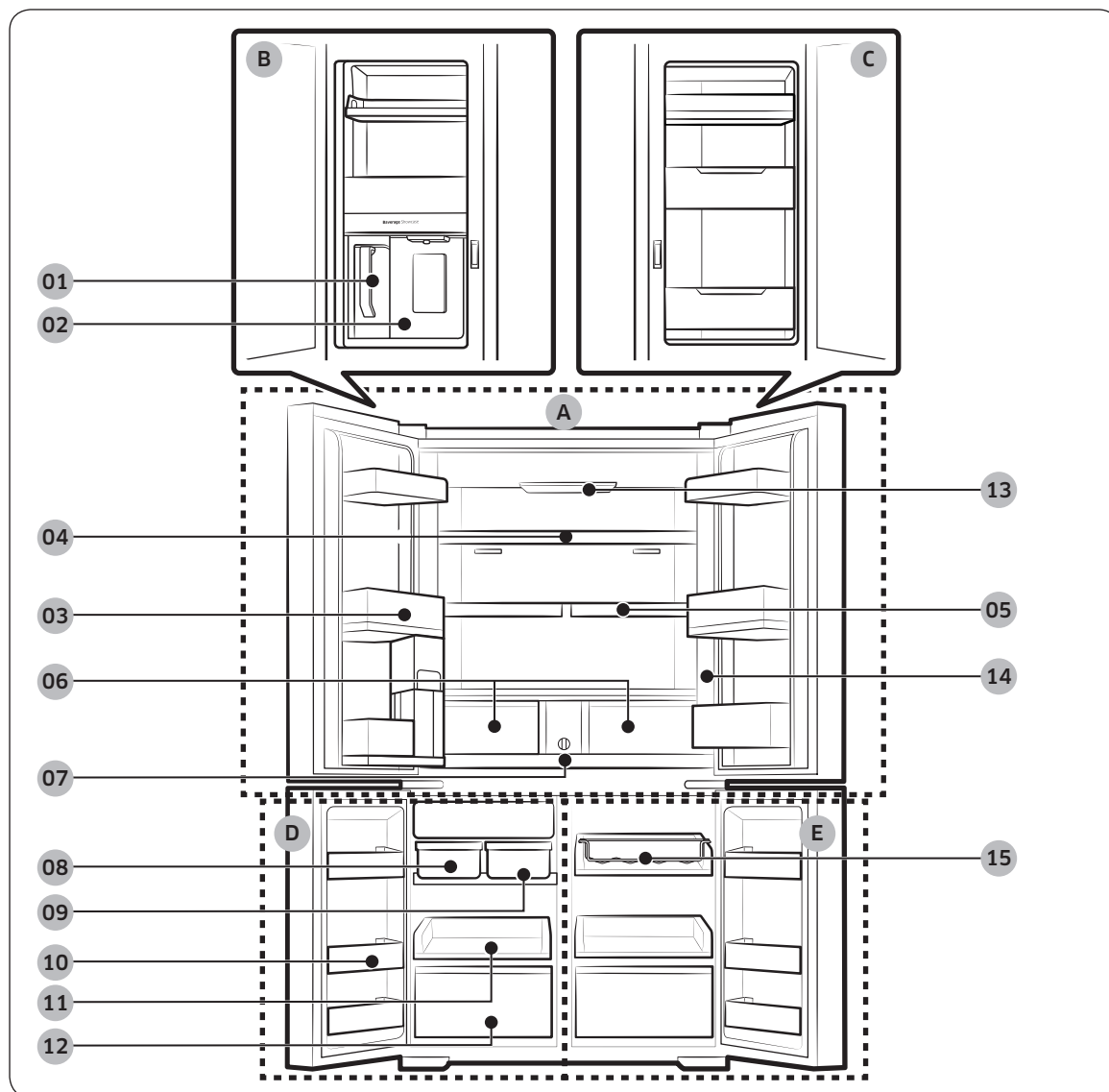
## **AVERTISSEMENT**

- N'utilisez ce réfrigérateur que conformément à l'usage auquel il est destiné, en suivant scrupuleusement les instructions du manuel.
- Toute opération de maintenance doit être effectuée par un technicien qualifié.
- Jetez le matériel d'emballage de cet appareil conformément aux réglementations locales.
- Pour éviter tout risque de choc électrique, débranchez la fiche d'alimentation avant d'effectuer l'entretien ou le remplacement de pièces.

# Installation

## Présentation rapide du réfrigérateur

Le réfrigérateur et les composants fournis peuvent différer des illustrations présentées dans ce manuel selon les modèles et les pays.



- 
- |  |                        |
|--|------------------------|
| 01 Pichet à remplissage automatique  | A. Réfrigérateur       |
| 02 Distributeur d'eau  | B. Centre de boissons  |
| 03 Bac de la porte du réfrigérateur  | C. Porte de discrétion |
| 04 Clayette du réfrigérateur   | D. Congélateur         |
| 05 Clayette de gain d'espace rapide  | E. Zone ajustable      |
| 06 Tiroir à légumes+ / Tiroir flexible à légumes                           |                        |
| 07 Filtre à eau  |                        |
| 08 Machine à glaçons automatique - Glaçons *<br>(Fabrication de glaçons *) |                        |
| 09 Machine à glaçons automatique - Glace pilée                             |                        |
| 10 Bac de la porte du congélateur  |                        |
| 11 Clayette du congélateur   |                        |
| 12 Tiroir du congélateur   |                        |
| 13 Filtre désodorisant UV  |                        |
| 14 Panneau de commande   |                        |
| 15 Casier à bouteilles de vin  |                        |

\* modèles applicables uniquement

#### REMARQUE

- Pour assurer l'efficacité énergétique de l'appareil, gardez les clayettes, tiroirs et corbeilles dans leur position d'origine.
- Lorsque vous fermez la porte, assurez-vous que la section à charnière verticale est correctement positionnée afin d'éviter que l'autre porte ne soit rayée.
- Si la section à charnière verticale est inversée, remettez-la correctement en place et fermez la porte.
- Il se peut que de l'humidité se forme parfois sur la section à charnière verticale.
- Si vous forcez la fermeture d'une porte, il est possible que l'autre porte s'ouvre.
- Si l'ampoule à DEL interne ou externe est hors service, communiquez avec un centre de service Dacor local.

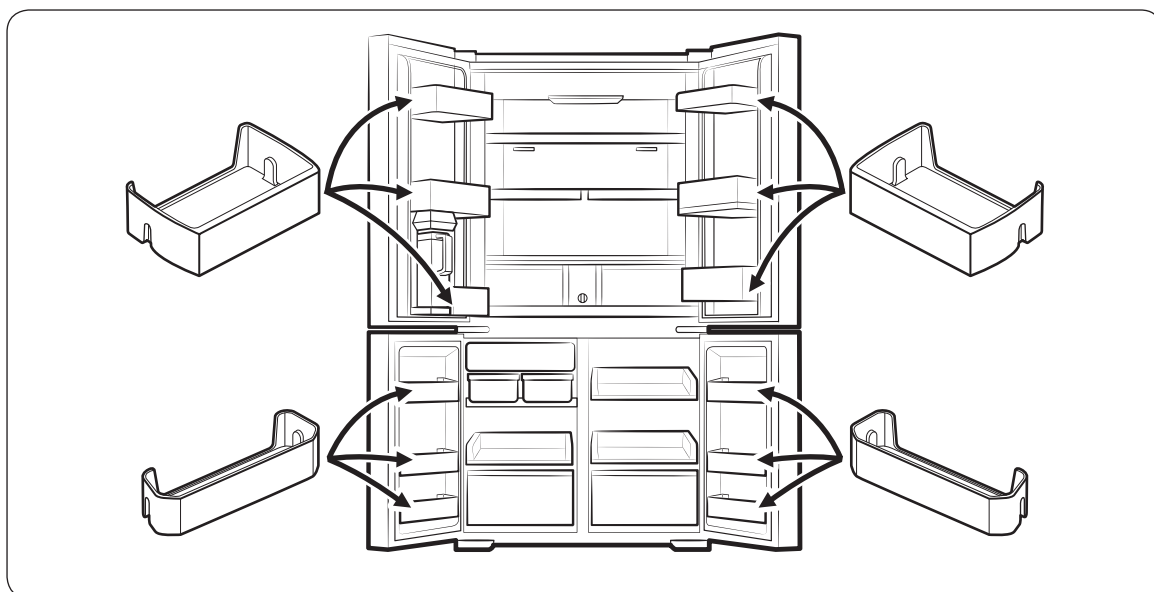
# Installation

## Bacs de la porte

Les portes de votre réfrigérateur sont dotées de bacs de différents types et de différentes tailles. Si les bacs des portes de votre réfrigérateur étaient emballés séparément, utilisez l'illustration ci-dessous pour vous aider à les positionner de façon appropriée.

### REMARQUE

Le réfrigérateur et les composants fournis peuvent différer des illustrations présentées dans ce manuel selon les modèles et les pays.



## Installation étape par étape

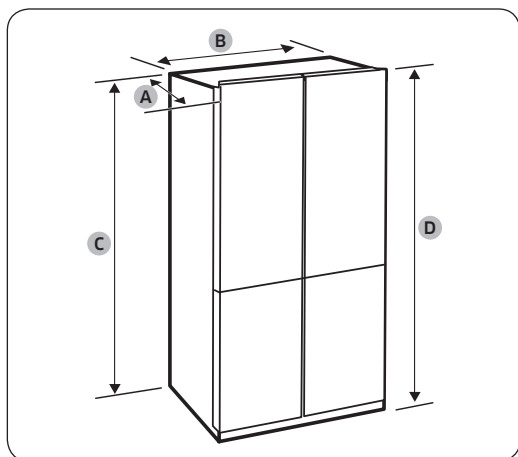
### ÉTAPE 1 Sélectionner un site

Le site doit :

- avoir une surface stable et plane sans moquette et sans revêtement de sol pouvant obstruer la ventilation ;
- être à l'abri de la lumière directe du soleil ;
- disposer d'un espace adéquat pour ouvrir et fermer la porte ;
- être éloigné de toute source de chaleur ;
- laisser un espace suffisant pour effectuer des travaux de maintenance et d'entretien ;
- se trouver dans une plage de températures comprise entre 50 °F (10 °C) et 110 °F (43 °C).

#### Espace

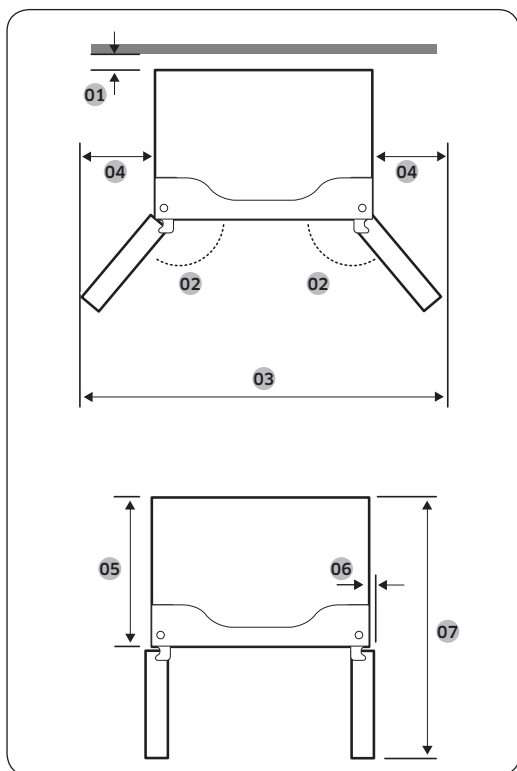
Pour connaître les exigences en matière d'espace d'installation, reportez-vous aux illustrations et tableaux suivants.



A	28 1/2" (723 mm)
B	35 7/8" (912 mm)
C	70 3/4" (1 797 mm)
D	71 7/8" (1 825 mm)

- A. Profondeur
- B. Largeur
- C. Hauteur (sans charnière)
- D. Hauteur totale

# Installation



01	Recommandation : plus de 2" (50 mm)
02	125°
03	58" (1 472 mm)
04	11 1/8" (282 mm)
05	24" (610 mm)
06	1 7/8" (47 mm)
07	43" (1 093 mm)

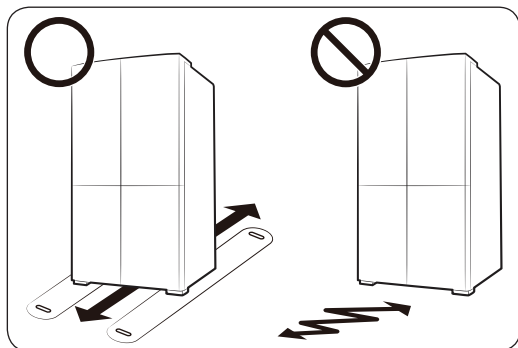
Installation

## REMARQUE

Les mesures indiquées dans les tableaux peuvent différer des mesures réelles selon les méthodes de mesure et d'arrondi.

## ÉTAPE 2 Sol

Si le réfrigérateur ne passe pas au niveau de la porte d'entrée en raison de sa taille, reportez-vous à la section ÉTAPE 3 Retrait de la porte pour le passage de la porte d'entrée.



### REMARQUE

Afin de ne pas endommager le sol, assurez-vous que les pieds avant de mise à niveau sont relevés.

- La surface d'installation du réfrigérateur doit supporter le poids d'un réfrigérateur plein.
- Afin de protéger le sol, placez un grand carton jusqu'à l'endroit où vous souhaitez installer le réfrigérateur.
- Lorsque le réfrigérateur se trouve dans sa position finale, ne le déplacez plus sauf si cela est nécessaire pour protéger le sol. Si vous devez déplacer le réfrigérateur, mettez du papier ou un chiffon épais tel qu'un morceau de vieille moquette le long du déplacement.

# Installation

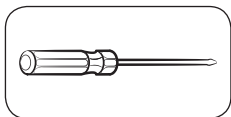
## ÉTAPE 3 Retrait de la porte pour le passage de la porte d'entrée

Si le réfrigérateur ne peut pas passer la porte d'entrée de votre maison ou de votre cuisine en raison de sa taille, suivez ces instructions pour retirer et remettre en place les portes du réfrigérateur. S'il ne vous est pas nécessaire de retirer les portes, accédez à la page 32 pour poursuivre la procédure d'installation.

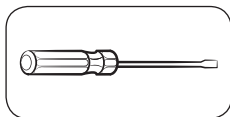
### **AVERTISSEMENT**

Débranchez le cordon d'alimentation du réfrigérateur avant de retirer les portes.

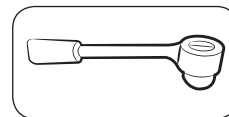
Outils requis (non fournis)



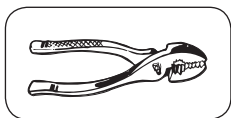
Tournevis cruciforme



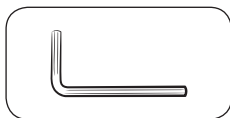
Tournevis à tête plate



Clé à douille 3/8" (10 mm)

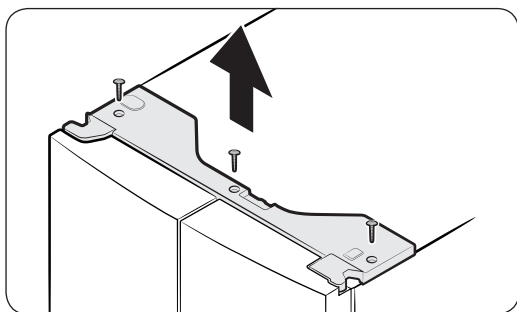


Pinces



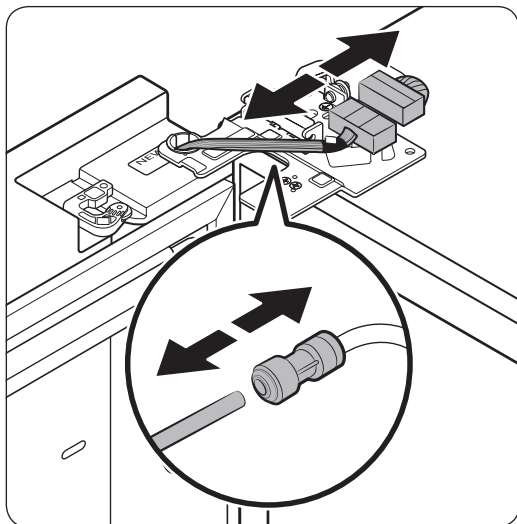
Clé hexagonale 1/4" (5 mm)

Démonter les portes du réfrigérateur



1. Après avoir fermé les portes, utilisez un tournevis cruciforme pour retirer les vis (x3) au niveau du cache supérieur. Tirez le cache supérieur vers le haut pour le retirer avec les connecteurs.

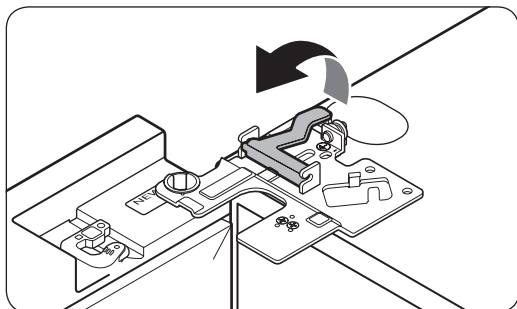




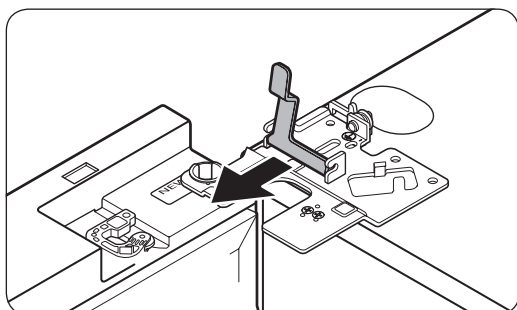
2. Débranchez les deux serre-fils sur la porte gauche. La position des connecteurs diffère selon le modèle.

**⚠ ATTENTION**

- Ne retirez pas les deux portes simultanément. Assurez-vous de retirer une seule porte à la fois. Sinon, l'une des portes peut tomber et entraîner des blessures.
  - Assurez-vous que le réfrigérateur est hors tension avant de débrancher les connecteurs.
3. Débranchez le tuyau d'eau au niveau du coupleur sur la porte gauche, comme indiqué.
    - Cette étape ne s'applique pas aux modèles qui ne sont pas équipés de la fonction Pichet à remplissage automatique et du distributeur d'eau.

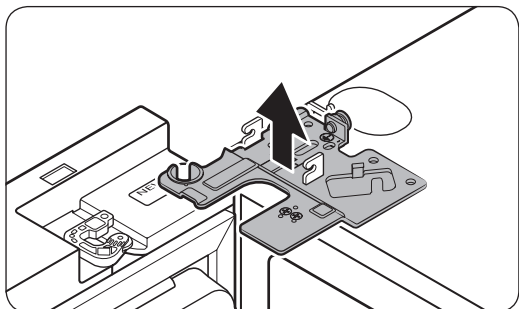


4. Tirez doucement le collier en plusieurs étapes. Pour éviter de vous blesser les doigts, n'exercez pas de pression soudaine sur le collier.

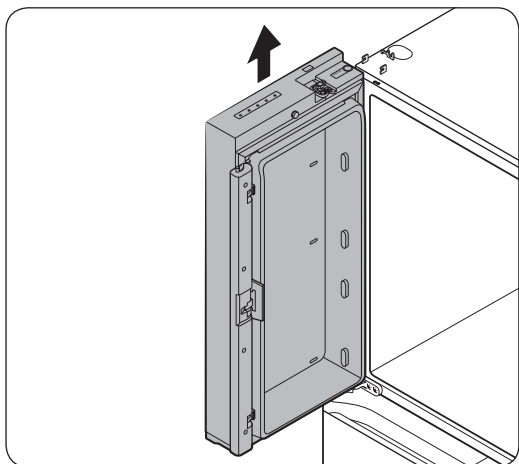


5. Tirez le collier vers le haut pour le retirer.

# Installation



6. Ouvrez la porte à 90 degrés. Tout en tenant la porte, soulevez et retirez la charnière supérieure. Prenez garde à ne pas endommager les fils des connecteurs lors du démontage de la charnière.

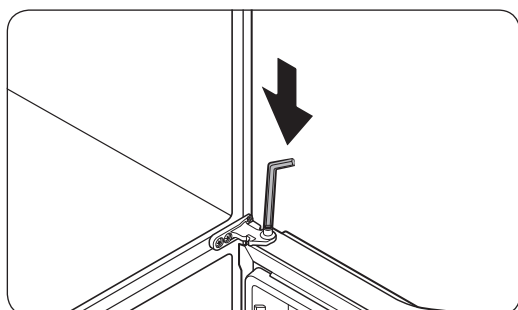
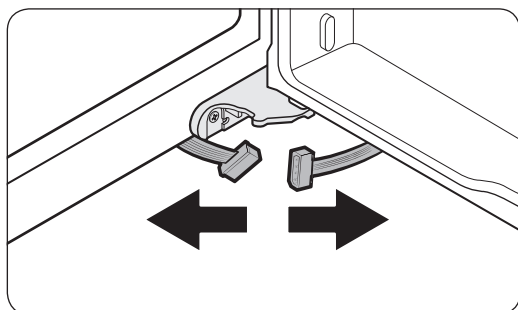
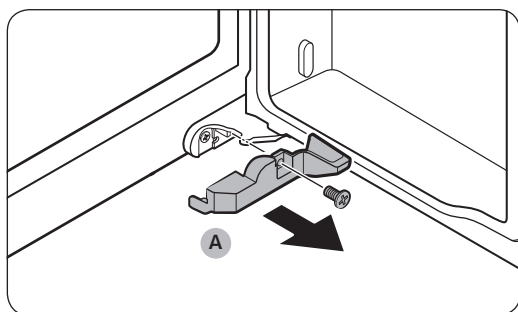


7. Tirez doucement la porte vers le haut à la verticale pour la retirer. N'exercez pas de pression excessive sur la porte. La porte peut tomber et entraîner des blessures.
8. Allongez la porte sur une surface plane.
9. Recommencez les étapes 1 à 8 pour l'autre porte, sauf pour l'étape 3. Il n'y a aucun tuyau d'eau sur la porte côté droit.
  - L'étape 2 ne s'applique pas aux modèles qui ne sont pas équipés de la porte de discrétion.

## Démonter les portes du congélateur

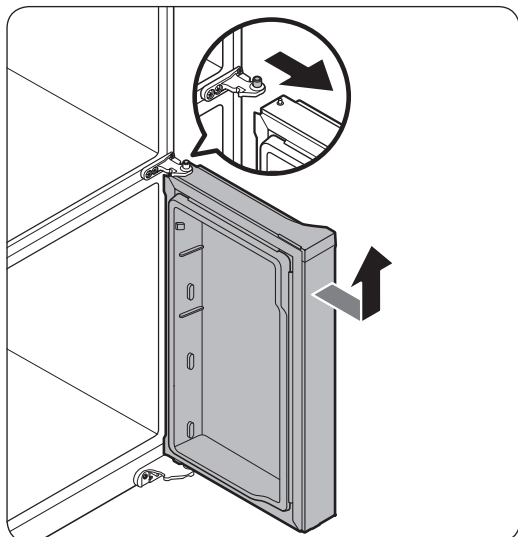
### ATTENTION

- Assurez-vous de retirer les portes du réfrigérateur avant celles du congélateur.
- Faites preuve de prudence lors du débranchement des connecteurs inférieurs.



1. Ouvrez la porte du congélateur.
2. Utilisez un tournevis cruciforme pour retirer la vis qui maintient en place le **cache (A)**.
  - Cette étape n'est valable que pour la porte droite du congélateur (porte Zone ajustable).
3. Débranchez les serre-fils.
  - Cette étape n'est valable que pour la porte droite du congélateur (porte Zone ajustable).
4. Repérez l'arbre de la charnière. Tout en tenant la porte avec une main, utilisez un tournevis à tête plate ou une clé hexagonale pour appuyer sur l'arbre. Assurez-vous de bien tenir la porte afin d'éviter qu'elle ne tombe.

# Installation

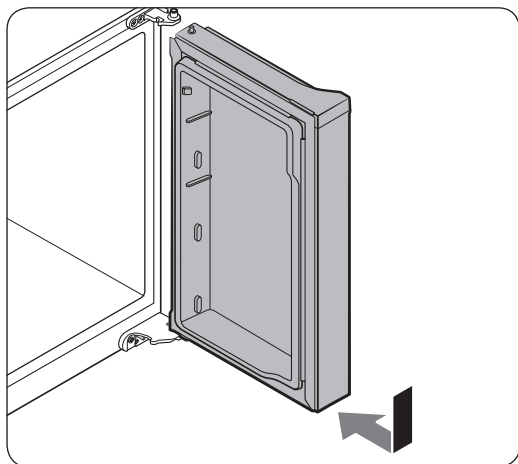


5. Pour éviter tout contact avec la charnière centrale, inclinez légèrement la porte en avant puis soulevez-la pour la retirer.
6. Recommencez les étapes 1 à 5 pour l'autre porte, sauf pour les étapes 2 et 3.

## Réinstallation des portes du congélateur

### **⚠ ATTENTION**

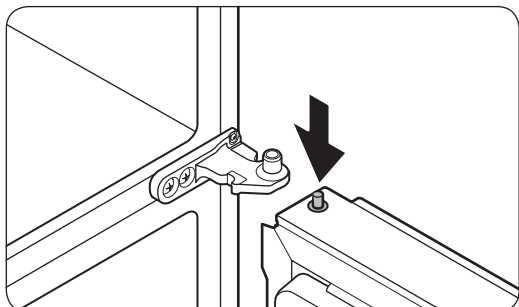
- Les portes du congélateur doivent être remises en place avant celles du réfrigérateur.
- Veillez à ne pas endommager ou à ne pas marcher sur les fils pendant ce processus.



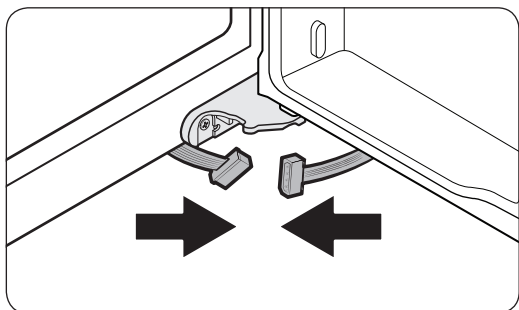
1. Insérez la porte du congélateur dans la charnière inférieure, tout en la poussant dans le sens de la flèche.

### **⚠ ATTENTION**

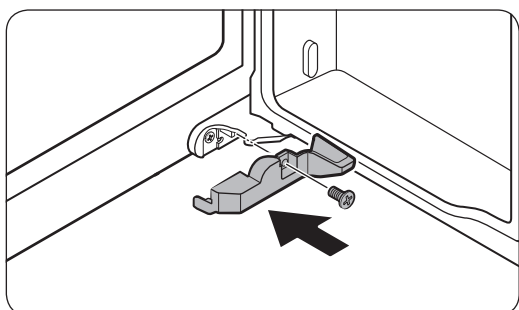
- Veillez à ne pas endommager ou à ne pas marcher sur les fils pendant ce processus.



2. Tout en appuyant sur l'arbre de charnière de la porte, positionnez la porte de sorte que l'arbre de charnière se trouve en-dessous du trou de l'arbre dans la charnière centrale. Relâchez l'arbre de la charnière de sorte qu'il pénètre dans le trou de l'arbre.



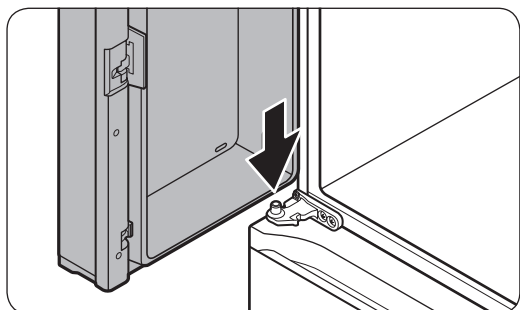
3. Après avoir ouvert la porte, branchez les connecteurs inférieurs dans le sens des flèches.
  - Cette étape n'est valable que pour la porte droite du congélateur (porte Zone ajustable).



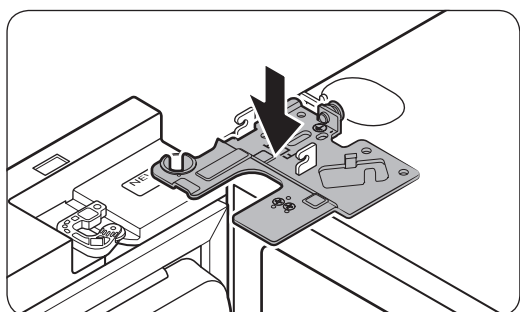
4. Fixez le cache à l'aide d'un tournevis cruciforme. Veillez à ne pas endommager ou à ne pas marcher sur les connecteurs.
  - Cette étape n'est valable que pour la porte droite du congélateur (porte Zone ajustable).
5. Recommencez les étapes 1 à 5 pour l'autre porte, sauf pour les étapes 3 et 4.

# Installation

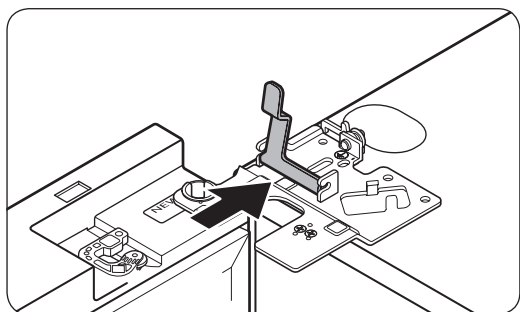
## Réinstaller les portes du réfrigérateur



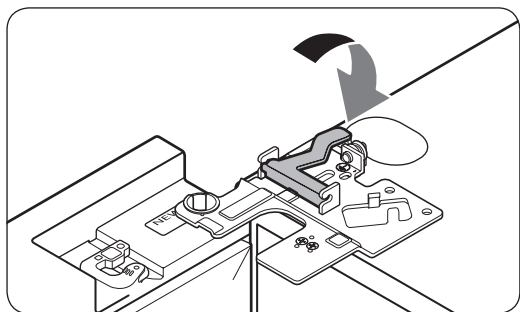
1. Tout en maintenant la porte ouverte à plus de 90 degrés, insérez l'arbre sur la charnière centrale dans le trou situé au bas de la porte.



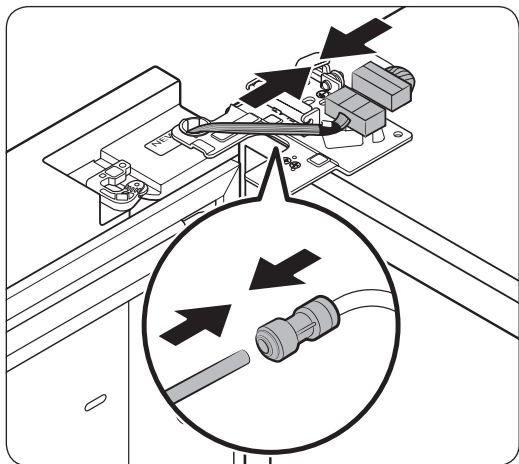
2. Mettez la charnière supérieure en position sur le haut du réfrigérateur, puis insérez l'arbre de la charnière dans le trou supérieur de la porte. Assurez-vous que les fils de la porte passent à travers le trou dans l'arbre de la charnière.



3. Insérez le collier dans le sens de la flèche.



4. Repoussez le collier comme indiqué.



5. Branchez les serre-fils.

**⚠ ATTENTION**

- Assurez-vous que les serre-fils sont correctement branchés. Si ce n'est pas le cas, l'écran ne fonctionnera pas.

6. Raccordez le tuyau d'eau.

- Cette étape ne s'applique pas aux modèles qui ne sont pas équipés de la fonction Pichet à remplissage automatique et du distributeur d'eau.

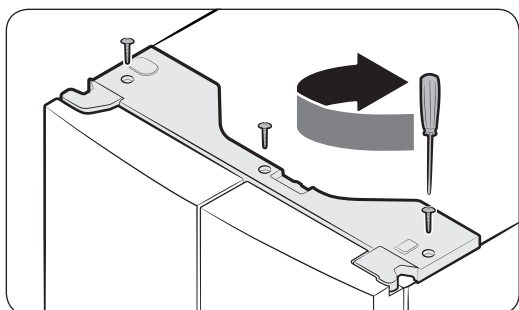
**⚠ ATTENTION**

- Pour éviter des fuites d'eau, assurez-vous que les brides rouges serrent le coupleur de façon appropriée.
- Gardez les brides hors de la portée des enfants.

7. Recommencez les étapes 1 à 5 pour l'autre porte.

- L'étape 5 ne s'applique pas aux modèles qui ne sont pas équipés de la porte de discrétion.

8. Remettez le cache supérieur en place en commençant par l'avant, puis appuyez derrière pour le mettre en position. Ensuite, serrez les vis (x3).



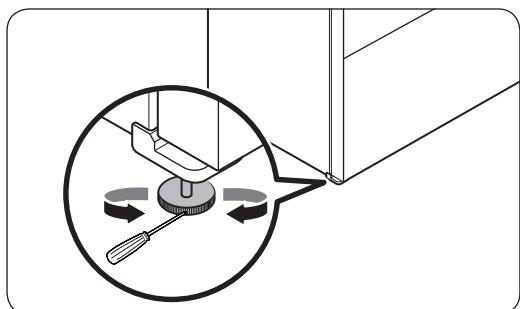
# Installation

## ÉTAPE 4 Réglage du réfrigérateur

### ⚠ ATTENTION

- Une fois installé, le réfrigérateur doit être mis à niveau sur un sol plat et solide. Ne pas mettre à niveau le réfrigérateur peut causer des dommages sur le réfrigérateur ou des blessures corporelles.
- La mise à niveau doit être effectuée sur un réfrigérateur vide. Assurez-vous qu'aucun aliment n'est encore présent à l'intérieur du réfrigérateur.
- Pour des raisons de sécurité, l'avant doit être légèrement plus élevé que l'arrière.

Mettez le réfrigérateur de niveau en utilisant les vis spéciales (de mise à niveau) sur les pieds avant. Utilisez un tournevis à tête plate pour faire tourner les vis de mise à niveau.

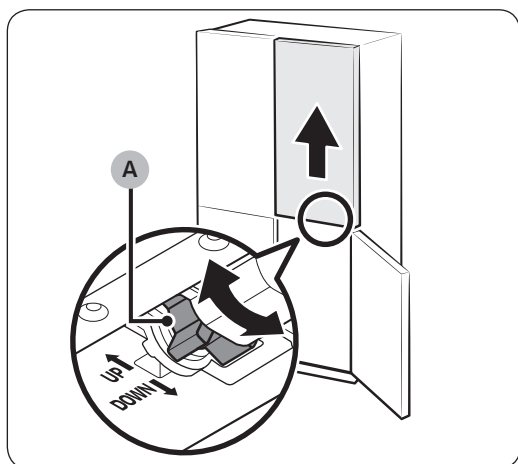
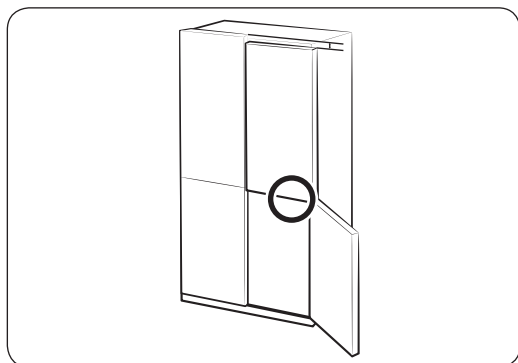


- Pour ajuster la hauteur côté gauche : Insérez un tournevis à tête plate dans la vis de mise à niveau du pied avant gauche. Faites tourner la vis de mise à niveau dans le sens horaire pour monter le côté gauche ou dans le sens antihoraire pour l'abaisser.
- Pour ajuster la hauteur côté droit : Insérez un tournevis à tête plate dans la vis de mise à niveau du pied avant droit. Faites tourner la vis de mise à niveau dans le sens horaire pour monter le côté droit ou dans le sens antihoraire pour l'abaisser.



## ÉTAPE 5 Ajustement de la hauteur de la porte

Réglage de la hauteur à l'aide du levier de réglage de la hauteur (modèles applicables uniquement)

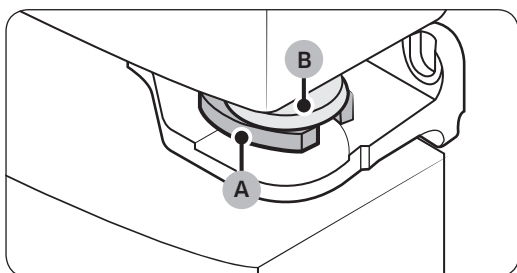
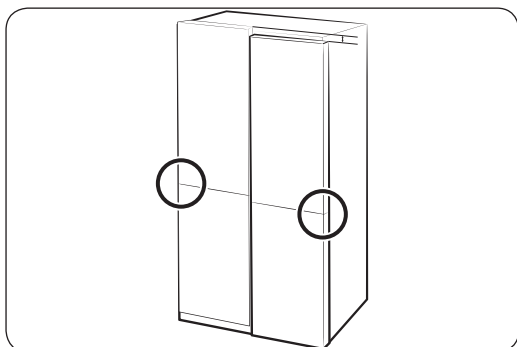
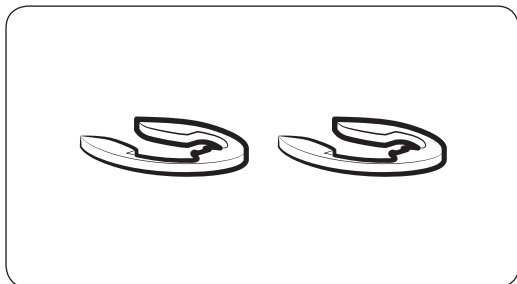


- Avant d'aligner la hauteur de la porte, vérifiez que le réfrigérateur est de niveau. Pour cela, utilisez les pieds de mise à niveau.
- Vous pouvez utiliser le levier de réglage de la hauteur, situé en bas de la porte droite du réfrigérateur. Ouvrez la porte droite du congélateur en maintenant les deux portes du réfrigérateur fermées, puis utilisez le levier de réglage de la hauteur pour régler la hauteur de la porte.
- Tournez le **levier de réglage de la hauteur (A)** jusqu'à ce que les deux portes soient alignées en haut. Tournez le levier vers le haut (en direction du marquage « UP ») pour relever la porte droite et tournez-le vers le bas (en direction du marquage « DOWN ») pour l'abaisser.
- Soulevez légèrement la porte du réfrigérateur pour faciliter l'alignement. La hauteur maximale réglable est de 3 mm.
  - Le levier ne tournera pas au-delà de cette limite maximale. Il risque d'émettre un bruit si vous le tournez excessivement.
  - Une hauteur excessive risque d'interférer avec le cache de la charnière supérieure sur la porte du réfrigérateur.
- Si vous alignez la hauteur de la porte alors que les bacs de la porte sont vides, puis que vous placez des articles dans les bacs, les hauteurs peuvent être de nouveau différentes. Si tel est le cas, suivez les étapes ci-dessus pour réaligner les portes.

# Installation

## Réglage de la hauteur à l'aide des circlips

Pour les modèles dont le levier de réglage de la hauteur se trouve sur la porte droite du réfrigérateur, utilisez les circlips uniquement si vous ne pouvez pas aligner les portes à l'aide du levier de réglage de la hauteur.



### REMARQUE

La hauteur d'une porte peut être ajustée à l'aide des circlips fournis, qui sont disponibles dans 4 tailles différentes (1 mm, 1,5 mm, 2 mm et 2,5 mm).

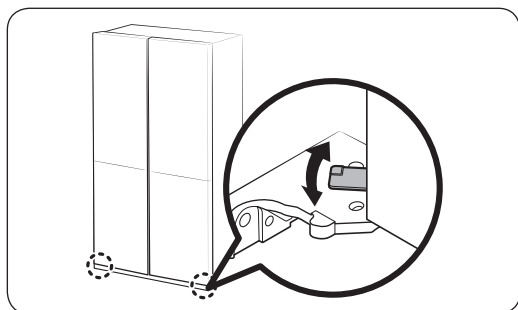
1. Vérifiez la différence de hauteur entre les portes, puis soulevez et maintenez la porte avec la hauteur inférieure.
2. Insérez un circlip (A) de taille appropriée entre l'œillet de la porte (B) et la charnière, comme indiqué.

### ATTENTION

- Insérez uniquement un seul circlip. Si vous insérez deux circlips ou plus, ils pourraient glisser et tomber ou émettre un bruit de frottement.
- Tenez les circlips hors de la portée des enfants et conservez-les pour une utilisation ultérieure.
- Ne soulevez trop la porte non plus. La porte peut entrer en contact avec le cache supérieur et l'endommager.

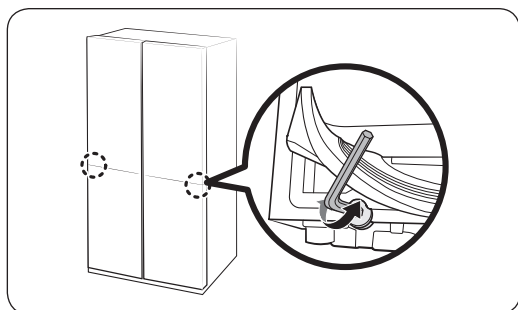


### Réglage de la hauteur des portes du congélateur (modèles applicables uniquement)



- Avant d'aligner la hauteur de la porte, vérifiez que le réfrigérateur est de niveau. Pour cela, utilisez les pieds de mise à niveau.
- Vous pouvez régler la hauteur des deux portes du congélateur à l'aide du levier situé sur la charnière inférieure.
- Ouvrez la porte, soulevez légèrement, puis tournez le levier vers la gauche ou la droite pour régler la hauteur.

### Réglage de l'écart entre les portes du réfrigérateur et le corps principal de l'appareil (modèles applicables uniquement)



- Vous pouvez régler l'écart entre les deux portes du réfrigérateur et le corps principal de l'appareil à l'aide du boulon de réglage situé en bas du compartiment réfrigérateur.
- Soulevez le joint de la porte pour dévoiler le boulon de réglage situé dessous. Utilisez la clé hexagonale de 4 mm pour régler l'écart.

#### **ATTENTION**

Assurez-vous d'avoir solidement réinstallé le joint. Dans le cas contraire, de l'air froid risque de fuir du réfrigérateur.



# Installation

## ÉTAPE 6 Raccorder le circuit du distributeur d'eau

Le distributeur d'eau avec filtre est l'une des caractéristiques très pratiques que vous offre votre nouveau réfrigérateur. Afin de préserver votre santé, le filtre supprime toutes les particules indésirables présentes dans l'eau. Toutefois, il ne permet pas de stériliser ni de détruire les micro-organismes. Pour cela, un purificateur d'eau est nécessaire.

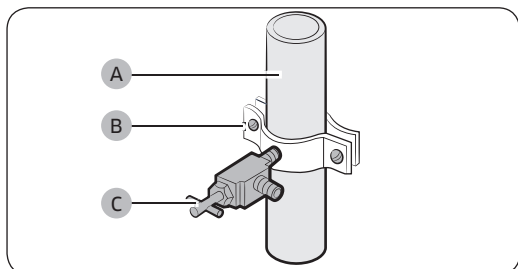
La conduite d'eau est également raccordée à la machine à glaçons. Pour que la machine à glaçons puisse fonctionner correctement, la pression d'eau doit se situer entre 20 et 125 psi (138 et 862 kPa).

Si le réfrigérateur est installé dans une zone où la pression d'eau est faible (inférieure à 20 psi / 138 kPa), vous pouvez installer une pompe de surpression pour compenser la faible pression.

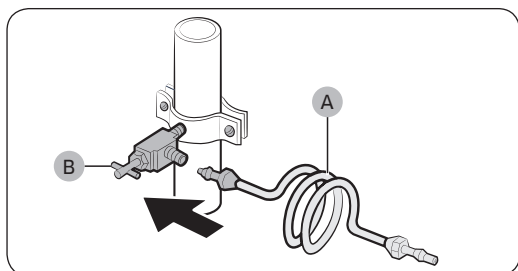
Après avoir raccordé la conduite d'eau, vérifiez si le distributeur d'eau fonctionne correctement. Appuyez sur le levier du distributeur d'eau jusqu'à ce que l'eau s'écoule par la sortie d'eau.

### REMARQUE

- Des trousse d'installation de conduite d'eau sont disponibles auprès de votre détaillant contre un supplément. Il est recommandé d'utiliser un kit d'installation de conduite d'eau composé d'un tube en cuivre et d'un écrou de serrage de 1/4" (6 mm).



1. Coupez la source d'eau principale.
2. Insérez le collier de fixation (B) et le robinet de sectionnement (C) dans la conduite d'eau froide (A).

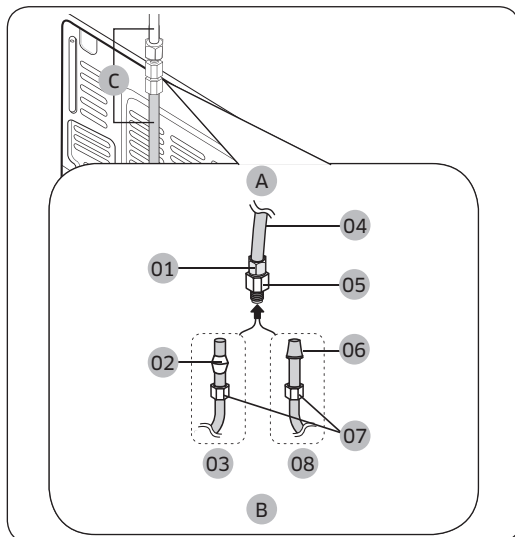


3. Raccordez le kit d'installation de conduite d'eau (A) au robinet de sectionnement (B).

## Raccorder le tuyau d'alimentation en eau au réfrigérateur

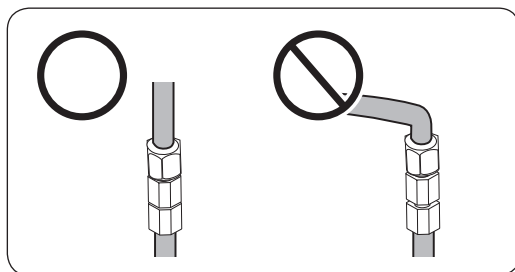
Vous devez acheter plusieurs éléments pour effectuer ce raccordement. Ces accessoires sont en vente sous forme de trousse à votre quincaillerie locale.

Tube en cuivre	<ul style="list-style-type: none"><li>• Tube en cuivre de 1/4"</li><li>• Écrou de serrage de 1/4" (x1)</li><li>• Bague (2 pièces)</li></ul>
Tube en plastique	<ul style="list-style-type: none"><li>• Tube en plastique de 1/4" → Extrémité moulée (en forme de poire)</li><li>• Écrou de serrage de 1/4" (x1)</li></ul>



- A. Réfrigérateur
- B. Conduite d'eau domestique
- C. Conduite d'eau : à maintenir droite.

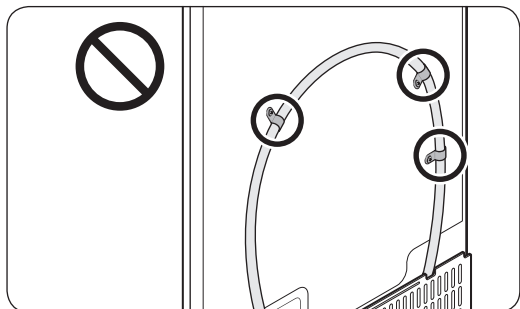
- 01 Écrou de serrage (1/4") (assemblé)
- 02 Bague (non fournie)
- 03 Tube en cuivre (non fourni)
- 04 Tube en plastique (assemblé)
- 05 Raccord à compression (assemblé)
- 06 Extrémité moulée (en forme de poire)
- 07 Écrou de serrage (B) (1/4") (non fourni)
- 08 Tube en plastique (A) (non fourni)



### REMARQUE

S'il vous est nécessaire de déplacer le réfrigérateur après avoir raccordé la **conduite d'eau (C)**, assurez-vous que la section jointe de la conduite d'eau est droite.

# Installation



## ⚠ ATTENTION

Ne montez pas de filtre à eau sur n'importe quelle partie du réfrigérateur. Cela pourrait endommager le réfrigérateur.

1. Reliez la conduite d'eau domestique au raccord à compression assemblé.
  - Si vous utilisez un tube en cuivre, faites glisser l'**écrou de serrage (B)** (non fourni) et la **bague** (non fournie) sur le tube en cuivre (non fourni) comme illustré.
  - Si vous utilisez un **tube en plastique (A)**, insérez l'extrémité moulée (en forme de poire) du **tube en plastique (A)** dans le raccord à compression.

## ⚠ ATTENTION

- Si vous utilisez un **tube en plastique (A)**, ne l'utilisez pas sans l'extrémité moulée (en forme de poire).
  - Si vous laissez débranchée la conduite d'eau, le robinet d'arrivée d'eau peut produire un bourdonnement au fil du temps. Si tel est le cas, assurez-vous que le fonctionnement de la machine à glaçons est « **DÉSACTIVÉ** » et n'utilisez pas le distributeur d'eau.
2. Serrez l'**écrou de serrage (B)** sur le **raccord à compression**. Ne serrez pas trop l'**écrou de serrage (B)**.
  3. Ouvrez l'alimentation en eau et vérifiez qu'il n'y a pas de fuite. Si vous détectez des gouttes ou des fuites d'eau au niveau du raccord, fermez l'alimentation en eau principale. Vérifiez les branchements et resserrez si nécessaire.
  4. Laissez s'écouler 3 gallons d'eau à travers le filtre avant de consommer ou d'utiliser l'eau du réfrigérateur (laissez s'écouler l'eau pendant environ 5 à 6 minutes). Pour ce faire, appuyez sur le levier du distributeur d'eau avec un verre ou une tasse de grande taille. Remplissez le verre, videz-le, puis recommencez.
  5. Après avoir mis le réfrigérateur en marche, patientez 1 à 2 jours avant de vous servir de la machine à glaçons. Pendant cette période, jetez les 1 ou 2 premiers bacs de glaçons afin d'évacuer toutes les impuretés de la conduite d'eau.

## 📖 REMARQUE

Raccordez la conduite d'eau à une source d'eau potable uniquement.

- Si vous devez réparer ou démonter la conduite d'eau, coupez environ  $\frac{1}{4}$ " du tube en plastique afin d'assurer un raccordement serré et étanche.
- Vous pouvez rapidement tester la conduite d'eau à l'aide d'un gobelet. Dans des conditions normales, le distributeur d'eau peut remplir un gobelet de  $5 \frac{3}{4}$  oz (170 cm<sup>3</sup>) en 10 secondes environ.

---

## ÉTAPE 7 Réglages initiaux

---

En suivant les étapes suivantes, le réfrigérateur doit fonctionner entièrement.

1. Insérez le cordon d'alimentation dans la prise murale pour allumer le réfrigérateur.
2. Ouvrez la porte et vérifiez si l'éclairage à l'intérieur s'allume.
3. Réglez la température sur le paramètre le plus froid et patientez environ une heure. Le congélateur est légèrement réfrigéré et le moteur doit tourner doucement.
4. Attendez jusqu'à ce que le réfrigérateur atteigne la température réglée. Le réfrigérateur est désormais prêt l'emploi.

## ÉTAPE 8 Vérification finale

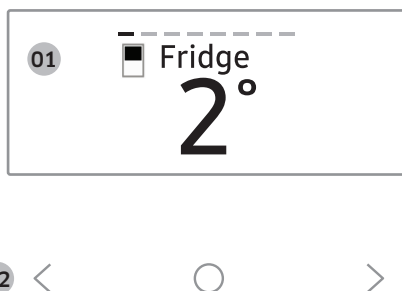
---

Lorsque l'installation est terminée, vérifiez les points suivants :

- Le réfrigérateur est branché sur une prise électrique et correctement mis à la terre.
- Le réfrigérateur est installé sur une surface plane et à une distance suffisante des murs et des armoires.
- Le réfrigérateur est mis à niveau et positionné fermement au sol.
- La porte s'ouvre et se ferme sans obstacles et l'éclairage intérieur s'allume automatiquement dès que vous ouvrez la porte.

# Opérations

## Panneau de commande



<b>01</b> Affichage	Affiche le menu, les paramètres et d'autres informations.
<b>02</b> Boutons	<ul style="list-style-type: none"><li>• Lorsque l'écran est éteint, appuyez doucement sur n'importe quel bouton pour le rallumer.</li><li>• Appuyez doucement sur &lt; ou sur &gt; pour aller vers la gauche et la droite.</li><li>• Appuyez doucement sur O pour confirmer votre sélection.</li><li>• Laissez le doigt doucement appuyé sur O pour passer en mode AP (Point d'accès). (Pour obtenir plus d'informations, reportez-vous à la section « Application SmartThings &gt; Pour commencer » en page 46.)</li></ul>

### REMARQUE

- Le panneau de commande est conçu pour s'éteindre lorsque le réfrigérateur n'est pas utilisé. Il ne se réactive et se rallume que lorsque vous ouvrez la porte ou que vous appuyez doucement sur les boutons.
- Si la porte est laissée ouverte pendant 5 minutes, l'éclairage intérieur clignote pendant 5 minutes puis il s'éteint. Cela a pour but d'avertir les utilisateurs sourds et malentendants qu'une porte est ouverte. Veuillez noter que ce comportement est tout à fait normal.
- Lorsque vous changez la température sur le panneau, le panneau affiche la température réelle à l'intérieur du réfrigérateur jusqu'à ce que la température corresponde à la température que vous avez réglée. Ensuite, le panneau affiche la nouvelle température réglée. Notez que cela prendra du temps au réfrigérateur pour atteindre la nouvelle température. Ceci est tout à fait normal. Durant cette période, vous n'avez pas besoin de régler la température à nouveau.

### Utilisation du panneau de commande



1. Appuyez doucement sur l'un des boutons (<, O ou >) pour rallumer l'écran.
2. Appuyez doucement sur < ou sur > pour sélectionner le menu souhaité, puis sur O pour confirmer.
3. Appuyez doucement sur < ou sur > pour sélectionner le paramètre souhaité, puis sur O pour confirmer.
  - Pour en savoir plus sur les paramètres disponibles, consultez la section **Description des menus**.



## Description des menus

<p>Fridge (Réfrigérateur)</p>	<ul style="list-style-type: none"> <li>• Vous pouvez régler la température du réfrigérateur entre 34 et 44 °F (1 et 7 °C) ou activer la fonction Refroidissement rapide.</li> <li>• La fonction Refroidissement rapide accélère le processus de refroidissement (ventilateur à vitesse maximale). Le réfrigérateur fonctionne à vitesse maximale durant deux heures et demie avant de revenir à la température précédente.</li> </ul>
<p>Freezer (Congélateur)</p>	<ul style="list-style-type: none"> <li>• Vous pouvez régler la température du congélateur entre -8 et 5 °F (-23 et -15 °C) ou activer la fonction Congélation rapide.</li> <li>• La fonction Congélation rapide accélère le processus de congélation (ventilateur à vitesse maximale). Le congélateur fonctionne à vitesse maximale durant 50 heures avant de revenir à la température précédente. Pour congeler une grande quantité d'aliments, activez la fonction Congélation rapide au moins 20 heures avant de placer les aliments dans le congélateur.</li> </ul>
<p>FlexZone (Zone ajustable)</p>	<ul style="list-style-type: none"> <li>• Vous pouvez régler le mode Zone ajustable à partir de l'un des modes suivants. <ul style="list-style-type: none"> <li>- <b>Freeze (Congélation)</b> : permet de régler la même température que celle du congélateur.</li> <li>- <b>Soft Freeze (Congélation douce)</b> : permet de régler la température à 23 °F (-5 °C).</li> <li>- <b>Meat/Fish (Viande/Poisson)</b> : permet de régler la température à 30 °F (-1 °C).</li> <li>- <b>Fruit/Veggies (Fruits/Légumes)</b> : permet de régler la température à 36 °F (2 °C).</li> <li>- <b>Beverage (Boissons)</b> : permet de régler la température à 39 °F (4 °C).</li> </ul> </li> </ul> <p><b>⚠ ATTENTION</b></p> <ul style="list-style-type: none"> <li>• Sélectionnez le mode Zone ajustable en fonction du type d'aliments que vous placez dans cette zone.</li> <li>• Ne placez pas de viande ou d'aliments dans la Zone ajustable si le mode Fruits/Légumes ou Vin est activé. La viande ou les aliments pourraient s'abîmer.</li> <li>• Ne placez pas de bouteilles en verre dans la Zone ajustable si le mode Congélation ou Congélation douce est activé. Elles risqueraient d'éclater et de vous blesser.</li> </ul>

# Opérations

<p>Flex Crisper (Tiroir flexible à légumes) *</p>	<ul style="list-style-type: none"> <li>Vous pouvez régler le mode Tiroir flexible à légumes à partir de l'un des modes suivants.             <ul style="list-style-type: none"> <li>- <b>Fridge (Réfrigérateur)</b> : permet de régler la même température que celle du réfrigérateur.</li> <li>- <b>Meat/Fish (Viande/Poisson)</b> : sélectionnez ce mode pour stocker de la viande et du poisson frais. (Nous recommandons de régler la température du réfrigérateur à moins de 37 °F (3 °C) pour maintenir de la viande et du poisson plus frais dans le Tiroir flexible à légumes.)</li> </ul> </li> </ul> <p> <b>REMARQUE</b></p> <p>La plupart des viandes et poissons peuvent être stockés dans le Tiroir flexible à légumes pendant 3 à 5 jours (avec quelques exceptions pour certains types). Stockez-les dans le congélateur si vous souhaitez les conserver plus de 5 jours.</p>
<p>AutoFill Pitcher (Pichet à remplissage automatique) *</p>	<ul style="list-style-type: none"> <li>Vous pouvez régler le mode Pichet à remplissage automatique à partir de l'un des modes suivants.             <ul style="list-style-type: none"> <li>- <b>On (Activation)</b> : pour remplir automatiquement votre pichet à eau.</li> <li>- <b>Off (Désactivation)</b> : pour désactiver la fonction.</li> </ul> </li> </ul> <p> <b>REMARQUE</b></p> <p>Vous pouvez placer du thé ou des fruits dans le tube à infusion pour confectionner de l'eau ou du thé infusé(e). Si vous souhaitez que l'eau infusée conserve sa concentration initiale, désactivez la fonction Pichet à remplissage automatique. (Pour obtenir plus d'informations, reportez-vous à la section « Pichet à eau (Pichet à remplissage automatique) (modèles applicables uniquement) » en page 52.)</p>
<p>Cubed Ice (Glaçons) * (Ice Maker (Fabrication de glaçons) *)</p>	<p>Vous pouvez démarrer ou arrêter la fabrication de glaçons.</p>
<p>Ice Bites (Glace pilée) *</p>	<p>Vous pouvez démarrer ou arrêter la fabrication de glace pilée.</p>

<p>More Options (Autres options)</p>	<p>Vous pouvez modifier les paramètres pour les fonctions suivantes. Appuyez doucement sur &lt; ou sur &gt; pour sélectionner le menu, puis sur ○ pour confirmer.</p> <p><b>UV Deodorizing Filter (Filtre désodorisant UV) *</b> : vous pouvez activer ou désactiver la fonction Filtre désodorisant UV.</p> <p><b>Peak Demand (Demande de pointe) *</b> : vous pouvez activer ou désactiver la fonction Demande de pointe. (Pour obtenir plus d'informations sur la fonction Demande de pointe, reportez-vous à la section <b>Fonction SMART GRID (Réponse à la demande) (modèles applicables uniquement)</b> en page 48.)</p> <p><b>Filter Reset (Réinitialisation du filtre) *</b> : lorsque le message de remplacement du filtre s'affiche à l'écran, sélectionnez ce menu puis remplacez le filtre conformément aux instructions affichées à l'écran.</p> <p><b>Temp. Unit (Unité de temp.)</b> : vous pouvez régler l'échelle de température sur Celsius ou Fahrenheit.</p> <p><b>Door Alarm (Alarme de la porte)</b> : vous pouvez activer ou désactiver la fonction Alarme de la porte.</p> <p><b>Wi-Fi Connect (Connexion Wi-Fi)</b> : vous pouvez activer ou désactiver la fonction Connexion Wi-Fi. Activez-la pour contrôler et surveiller votre réfrigérateur via l'application SmartThings. (Pour obtenir plus d'informations sur l'application SmartThings, reportez-vous à la section <b>Application SmartThings</b> en page 45.)</p>
--	---

\* modèles applicables uniquement

 **REMARQUE**

L'utilisation de la fonction Refroidissement rapide ou Congélation rapide augmente la consommation d'énergie.

# Opérations

## Activation ou désactivation du mode Sabbat

Le mode Sabbat reste actif durant les 85 heures suivant son activation. Passé ce délai, il sera automatiquement désactivé.

- Pour activer ou désactiver le mode Sabbat, laissez le doigt doucement appuyé sur **O** et sur **>** simultanément pendant 6 secondes. Ensuite, appuyez doucement sur **>**.
  - Lorsque le réfrigérateur est en mode Sabbat, les boutons, l'écran et l'éclairage interne ne fonctionnent pas. Toutefois, le réfrigérateur et le congélateur continuent de refroidir.

### REMARQUE

Si le réfrigérateur est mis hors puis sous tension (par exemple, en cas de coupure de courant), le mode Sabbat reste actif. Pour quitter le mode Sabbat, vous devez le désactiver comme indiqué ci-dessus.

## Activation ou désactivation du mode Désactivation du refroidissement

Le mode Désactivation du refroidissement (également appelé mode Démo) est destiné aux vendeurs qui mettent les réfrigérateurs en démonstration dans leur magasin. En mode Désactivation du refroidissement, seuls le moteur du ventilateur et l'éclairage du réfrigérateur fonctionnent normalement ; les compresseurs du réfrigérateur et du congélateur sont désactivés et ne produisent donc pas de froid.

- Pour activer ou désactiver le mode Désactivation du refroidissement, laissez le doigt doucement appuyé sur **<** et sur **>** simultanément pendant 6 secondes. Ensuite, appuyez doucement sur **O**.
  - Lorsque le mode Désactivation du refroidissement est activé, le réfrigérateur émet un signal sonore et le message « **Cooling Off mode turned on (Mode Désactivation du refroidissement activé)** » s'affiche sur l'appareil.

---

## Application SmartThings

---

### Installation

Rendez-vous sur Google Play Store, Galaxy Apps ou Apple App Store et recherchez « SmartThings ». Téléchargez et installez l'application SmartThings fournie par Samsung Electronics sur votre appareil intelligent.

#### REMARQUE

- L'application SmartThings n'est pas disponible pour certains modèles de tablette, iPad et smartphone.
  - Prise en charge nécessitant le système d'exploitation [Android] 6.0 ou une version ultérieure. (minimum 2 Go de mémoire RAM)
  - Prise en charge nécessitant le système d'exploitation [iOS] 10.0 ou une version ultérieure/un iPhone 6 ou plus récent.
- Pour bénéficier de meilleures performances, l'application SmartThings est soumise à modifications sans préavis ou à une interruption de la prise en charge en fonction de la politique du fabricant. De plus, les mises à jour ultérieures effectuées sur l'application ou une fonction de l'application peuvent s'interrompre pour des raisons de facilité d'utilisation et de sécurité, même si les mises à jour sont actuellement prises en charge sur votre système d'exploitation.
- Les systèmes de codage recommandés incluent WPA/TKIP et WPA2/AES. Tous les protocoles d'authentification pour connexion Wi-Fi plus récents ou non standardisés ne sont pas pris en charge.
- Les réseaux sans fil peuvent être affectés par l'environnement de communication sans fil autour.
- Si votre fournisseur de services Internet a enregistré l'adresse MAC de votre ordinateur ou de votre modem à des fins d'identification, il est possible que votre réfrigérateur intelligent Dacor ne parvienne pas à se connecter à Internet. Si tel est le cas, prenez contact avec votre fournisseur de services Internet pour bénéficier d'une assistance technique.
- Les paramètres du pare-feu de votre système de réseau peuvent empêcher votre réfrigérateur intelligent Dacor d'accéder à Internet. Prenez contact avec votre fournisseur de services Internet pour bénéficier d'une assistance technique. Si ce symptôme persiste, prenez contact avec un centre de service ou un détaillant Dacor local.
- Pour configurer les réglages du point d'accès (PA) sans fil, reportez-vous au manuel d'utilisation du point d'accès (routeur).
- Les réfrigérateurs intelligents Dacor prennent en charge la connexion Wi-Fi 2,4 GHz avec les protocoles IEEE 802.11 b/g/n et Soft-AP. (Le protocole IEEE 802.11 n est recommandé.)
- Les routeurs Wi-Fi sans fil non autorisés peuvent ne pas parvenir à se connecter aux réfrigérateurs intelligents Dacor applicables.

# Opérations

## Compte Samsung

Vous devez créer votre compte Samsung pour pouvoir utiliser l'application. Si vous n'avez pas de compte Samsung, suivez les instructions de l'application affichées à l'écran pour créer un compte Samsung gratuit.

### Pour commencer

Allumez l'appareil que vous souhaitez connecter, ouvrez l'application SmartThings sur votre téléphone, puis suivez les instructions ci-dessous.

Si une fenêtre contextuelle apparaît en indiquant qu'un nouvel appareil a été détecté, appuyez doucement sur **ADD NOW (AJOUTER MAINTENANT)**.

En l'absence de fenêtre contextuelle, appuyez doucement sur le bouton **+**, puis sélectionnez l'appareil que vous souhaitez connecter dans la liste des appareils disponibles.

Si votre appareil ne figure pas dans la liste des appareils disponibles, appuyez doucement sur **Supported Devices (Appareils pris en charge)**, sélectionnez le type d'appareil (Réfrigérateur), puis sélectionnez le modèle d'appareil spécifique.

Suivez les instructions affichées sur l'application pour configurer votre appareil. Une fois la configuration terminée, votre réfrigérateur apparaît sous forme de « carte » sur votre écran **Devices (Appareils)**.

## Application Réfrigérateur

### Commande intégrée

Vous pouvez surveiller et contrôler votre réfrigérateur chez vous, de même qu'en déplacement.

- Appuyez doucement sur l'icône du réfrigérateur sur le tableau de bord SmartThings ou appuyez doucement sur l'icône **Devices (Appareils)** en bas du tableau de bord, puis appuyez doucement sur la « carte » du réfrigérateur pour ouvrir la page **Refrigerator (Réfrigérateur)**.
- Vérifiez l'état de fonctionnement ou les notifications relatives à votre réfrigérateur et modifiez des options ou des réglages si nécessaire.

### REMARQUE

Certaines options ou certains réglages du réfrigérateur peuvent ne pas être disponibles pour la commande à distance.

Catégorie	Élément	Description
Surveillance et contrôle	Température du réfrigérateur	Vous pouvez régler et surveiller la température souhaitée du réfrigérateur.
	Température du congélateur	Vous pouvez régler et surveiller la température souhaitée du congélateur.
	Refroidissement rapide	Vous pouvez activer ou désactiver la fonction Refroidissement rapide et vérifier les paramètres actuels.
	Congélation rapide	Vous pouvez activer ou désactiver la fonction Congélation rapide et vérifier les paramètres actuels.
	Tiroir flexible à légumes	Vous pouvez régler et surveiller le mode souhaité pour le Tiroir flexible à légumes.
	Zone ajustable	Vous pouvez régler et surveiller le mode souhaité pour la Zone ajustable.
	Glaçons / Glace pilée	Vous pouvez activer ou désactiver la fonction de fabrication de glaçons et vérifier les réglages actuels de la fonction.
	Pichet à remplissage automatique	Vous pouvez activer ou désactiver la fonction Pichet à remplissage automatique et vérifier les paramètres actuels de la fonction.
Alarmes	Température anormalement élevée	Cette alarme se déclenche lorsque le réfrigérateur, le congélateur ou la Zone ajustable présente une température anormalement élevée.
	Ouverture de la porte	Cette alarme se déclenche si la porte du réfrigérateur, le tiroir du congélateur ou le tiroir de la Zone ajustable est ouvert(e) pendant une durée spécifique.
	Pichet à remplissage automatique	Si la fonction Pichet à remplissage automatique détecte un débordement, cette alarme se déclenche pour vous en informer.
	Remplacement du filtre à eau	Cette alarme vous rappelle que le filtre à eau doit être remplacé.

# Opérations

## Fonction SMART GRID (Réponse à la demande) (modèles applicables uniquement)

Lorsque le réfrigérateur fonctionne en mode SMART GRID (Réponse à la demande), la fonction Réfrigérateur à gestion de l'énergie permet de contrôler la consommation d'énergie ou de repousser le départ de certaines fonctions pour des raisons économiques (heures pleines).

### REMARQUE

- Vous pouvez désactiver la fonction SMART GRID (Réponse à la demande) à tout moment à l'aide de la fonction Désactivation de la demande de pointe.
- Pour utiliser la fonction SMART GRID (Réponse à la demande), vous devez avoir un contrat séparé avec votre fournisseur d'électricité.

De plus, pour utiliser la fonction Smart Grid (Réponse à la demande), vous devez souscrire au service auprès de votre fournisseur d'électricité. Celui-ci doit disposer d'un système de gestion de l'énergie (EMS, Energy Management System) prenant en charge le profil SEP (Smart Energy Profile).

### Utilisation de la fonction SMART GRID (Réponse à la demande)

Cette fonctionnalité surveille les informations de prix et de demande d'énergie de votre fournisseur et envoie des notifications au réfrigérateur pour effectuer les tâches fortement consommatrices en énergie pendant les périodes creuses où les coûts et la demande d'électricité sont plus faibles.

Si le réfrigérateur reçoit un signal de commande de la part du fournisseur d'électricité, le réfrigérateur affiche les niveaux **DAL** et **TALR** sur l'écran du réfrigérateur et contrôle la consommation d'énergie selon le niveau.

[Condition d'exception] Les signaux de commande de niveau **DAL** et **TALR** reçus de la part d'un fournisseur d'électricité fonctionnent tant que les performances de l'appareil sont maintenues.

Si le réfrigérateur reçoit le signal SMART GRID (Réponse à la demande) (**DAL** ou **TALR**), il fonctionne en mode Delay Appliance Load (DAL, charge différée de l'appareil) ou Temporary Appliance Load Reduction (TALR, réduction temporaire de la charge de l'appareil).

- Delay Appliance Load (DAL, charge différée de l'appareil) : le réfrigérateur répond à un signal **DAL** en fournissant une réduction modérée de la charge pendant la durée réglée. Cette fonction commande les fonctions qui consomment beaucoup d'énergie telles qu'ajuster le système de refroidissement, exécuter le cycle de dégivrage et produire de la glace.
  - Lorsque le réfrigérateur fonctionne en mode **DAL**, « DAL » s'affiche sur l'écran du réfrigérateur.
  - Le mode **DAL** se désactive automatiquement à la fin de la durée stipulée par le signal **DAL** (4,5 heures maximum), ou lorsque vous désactivez la fonction Demande de pointe.



- 
- Temporary Appliance Load Reduction (TALR, réduction temporaire de la charge de l'appareil) : le réfrigérateur répond à un signal **TALR** en fournissant une réduction importante de la charge pendant une courte période. Cette fonction réduit la consommation d'énergie en arrêtant le compresseur et en contrôlant les fonctions qui consomment beaucoup d'énergie telles qu'exécuter le cycle de dégivrage et produire de la glace.
    - Lorsque le réfrigérateur fonctionne en mode **TALR**, « TALR » s'affiche sur l'écran du réfrigérateur.
    - Le mode **TALR** se désactive automatiquement à la fin de la durée de réception (15 minutes maximum), ou lorsque vous désactivez la fonction Demande de pointe. Le mode est immédiatement désactivé et le réfrigérateur revient à l'état normal lorsque la porte est ouverte ou fermée, ou lorsque le distributeur est utilisé.

### Désactivation de la demande de pointe

Lorsque vous souhaitez que le réfrigérateur ignore le signal SMART GRID (Réponse à la demande) de votre fournisseur d'électricité, vous pouvez désactiver la fonction Demande de pointe.

Lorsque vous désactivez la fonction Demande de pointe, le réfrigérateur ignore le signal SMART GRID (Réponse à la demande) et ne sera pas commandé par votre fournisseur d'électricité.

### Activation ou désactivation de la fonction Demande de pointe

1. Appuyez doucement sur l'un des boutons (<, ○ ou >) pour rallumer l'écran.
2. Appuyez doucement sur < ou sur > pour sélectionner **More Options (Autres options)**, puis sur ○ pour confirmer.
3. Appuyez doucement sur < ou sur > pour sélectionner **Peak Demand (Demande de pointe)**, puis sur ○ pour confirmer.
4. Appuyez doucement sur < ou sur > pour sélectionner **On (Activation)** ou **Off (Désactivation)**, puis sur ○ pour confirmer.

# Opérations

## Utilisation de la fonction Gestion de l'énergie

La fonction Gestion de l'énergie vous permet de contrôler et surveiller votre réfrigérateur à gestion de l'énergie à l'aide de l'application SmartThings, à des fins de commodité.

### REMARQUE

- Pour utiliser les fonctions Gestion de l'énergie du réfrigérateur, vous devez d'abord installer l'application correspondante.
1. État opérationnel
    - Vous pouvez vérifier l'état des fonctions Réponse à la demande et Demande de pointe.
  2. Rapport de consommation d'énergie
    - Il indique la consommation d'énergie cumulée. Les données de consommation d'énergie sont mises à jour toutes les 10 minutes.

### REMARQUE

Le rapport de consommation d'énergie peut différer par rapport aux spécifications de consommation d'énergie de l'appareil, en fonction de l'environnement d'utilisation et des aliments stockés.

3. Fonction de dégivrage différé
  - La fonction de dégivrage différé permet d'économiser de l'énergie en retardant l'opération de dégivrage à une heure spécifiée par l'utilisateur. Vous pouvez configurer l'heure et cette fonction permet d'économiser de l'énergie pendant la période spécifiée dans un cycle de 24 heures. Si l'heure n'est pas réglée, la fonction opère avec les réglages d'heure par défaut. Les réglages d'heure par défaut sont les suivants :
    - de 6 h à 10 h : du 1er novembre au 30 avril
    - de 15 h à 19 h : du 1er mai au 31 octobre

### Changement du réglage de l'heure de la fonction de dégivrage différé

Vous pouvez changer le réglage de l'heure pour la fonction de dégivrage différé dans l'application.

---

## Disposition pour le libre accès aux exigences pour un appareil connecté

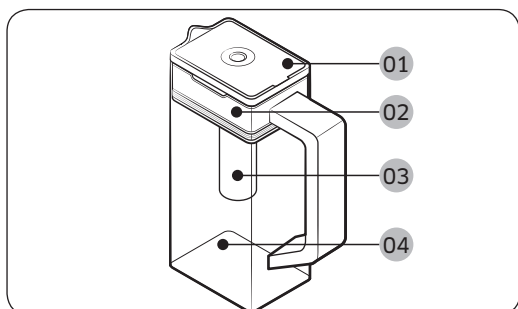
1. Normes ouvertes du SGIP (Smart Energy Profile 2.0 - <http://www.csep.org/>)
  - Rapport de consommation d'énergie
  - Réponse à la demande
2. Interface API ouverte
  - État fonctionnel, réglages utilisateur et messages
  - État de la machine à glaçons : GET /icemaker/status/vs/0
  - Signal d'alarme de porte ouverte : GET /doors/vs/0
  - État DR : GET /drlc/vs/0
  - Fonction de dégivrage différé
  - Réglage de l'horaire de dégivrage différé : POST /defrost/reservation/vs/0?op=add
  - Obtention de l'horaire de dégivrage différé : GET /defrost/reservation/vs/0
  - Suppression de l'horaire de dégivrage différé : POST /defrost/reservation/vs/0?op=remove
  - Activation/Désactivation du dégivrage différé : POST /defrost/delay/vs/0

# Opérations

## Fonctions spéciales

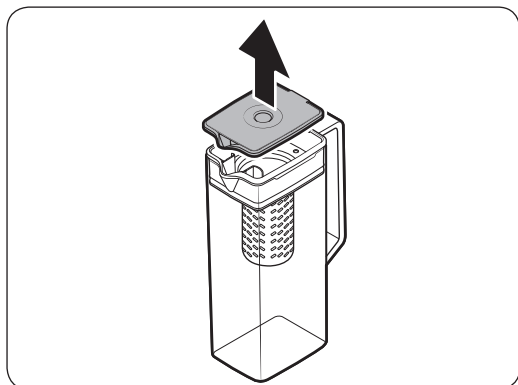
### Pichet à eau (Pichet à remplissage automatique) (modèles applicables uniquement)

Vous avez toujours de l'eau froide purifiée à disposition dans le Pichet à remplissage automatique. Vous pouvez placer du thé ou des fruits dans le tube à infusion pour déguster les divers parfums d'eau infusée que vous aimez.



- 01 Couvercle
- 02 Support du tube à infusion
- 03 Tube à infusion
- 04 Corps

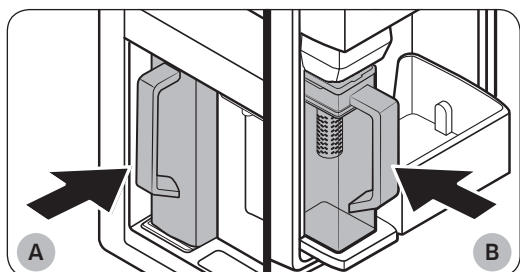
### Remplir le pichet à eau



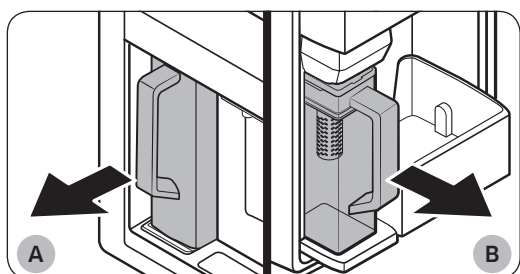
1. Saisissez l'une des rainures-poignées du couvercle, puis tirez vers le haut pour ouvrir le couvercle.
2. Placez un fruit ou des feuilles de thé à votre convenance dans le tube à infusion.

#### REMARQUE

Si vous souhaitez que l'eau infusée conserve sa concentration initiale, désactivez la fonction Pichet à remplissage automatique.



- A. Modèles de type A
- B. Modèles de type B



- A. Modèles de type A
- B. Modèles de type B

3. Activez la fonction Pichet à remplissage automatique sur le panneau de commande. Ouvrez la porte du Centre de boissons (type A) ou la porte gauche du réfrigérateur (type B), puis installez le pichet à eau sur son support. Poussez-le en position bien droite, comme illustré.

**! ATTENTION**

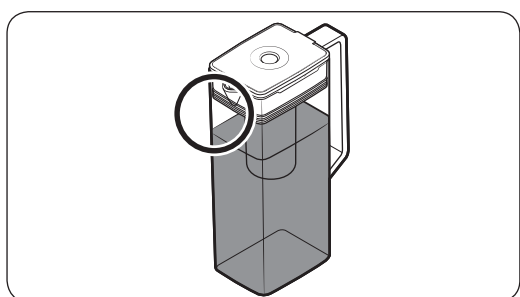
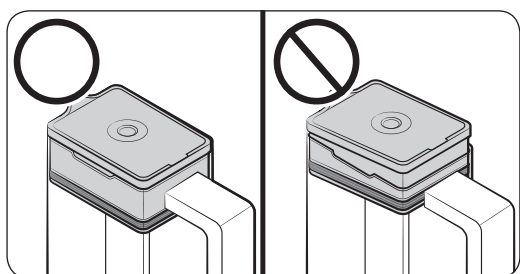
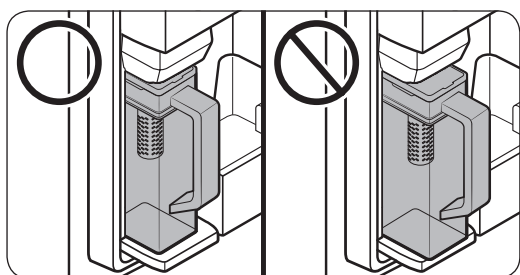
Assurez-vous que le pichet à eau est bien installé sur son support.

4. Fermez la porte. Après un court instant, le pichet à eau commence à se remplir d'eau réfrigérée.
5. Pour boire du thé, ouvrez la porte du Centre de boissons (type A) ou la porte gauche du réfrigérateur (type B), puis retirez le pichet à eau. Tirez-le de façon droite.

# Opérations

## ⚠ ATTENTION

- Nous recommandons de consommer l'eau de fruits infusés dans les 24 heures. Passé ce délai, l'eau infusée peut devenir impropre à la consommation.
- Vous devez nettoyer le pichet à eau après avoir consommé l'eau infusée. Nettoyez également le pichet à eau si vous ne l'avez pas utilisé pendant une période prolongée.

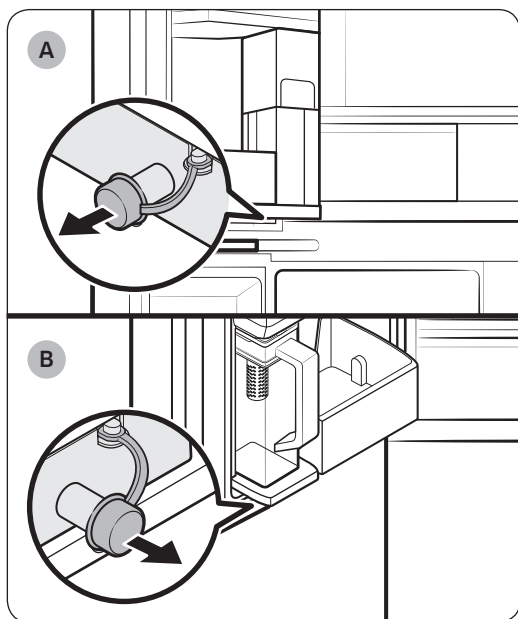


- Pour éviter que le pichet à eau ne bascule ou ne présente une fuite, assurez-vous qu'il est bien installé sur son support.

- Pour éviter que le pichet à eau ne déborde ou ne présente une fuite, assurez-vous que le support du tube à infusion est correctement inséré.

## 📖 REMARQUE

- Si l'avant du pichet à eau (zone indiquée) est trop humide, il risque de ne pas se remplir complètement. Éliminer l'humidité puis réessayez.
- La fonction Pichet à remplissage automatique coupe l'arrivée d'eau dans le pichet à eau si ce dernier ne se remplit pas d'eau au bout de quelques temps. Si tel est le cas, vérifiez si la conduite d'eau est correctement raccordée. Retirez et réinsérez le pichet à eau, puis réessayez.



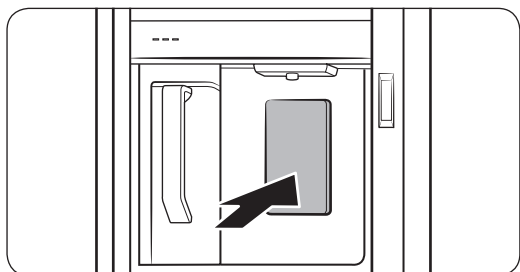
A. Modèles de type A  
B. Modèles de type B

#### REMARQUE

- Essayez autour du support du pichet à eau si ce dernier déborde ou fuit.
- Des gouttes d'eau tombent si le bouchon en caoutchouc est ouvert.
- Un message d'alerte s'affiche sur le panneau de commande en cas de fuite. En cas de fuite, ouvrez le bouchon en caoutchouc de façon à évacuer l'eau. Si le message d'alerte ne disparaît pas après avoir évacué l'eau, il y a peut-être une défaillance du système. Contactez votre centre de service Dacor local.

# Opérations

## Distributeur d'eau (modèles applicables uniquement)



Pour vous servir de l'eau fraîche, ouvrez le Centre de boissons et appuyez sur le levier du distributeur.

### REMARQUE

- Le distributeur arrêtera de verser de l'eau si vous maintenez enfoncé le levier du distributeur pendant 1 minute. Pour verser davantage d'eau, relâchez puis appuyez sur le levier une nouvelle fois.
- Veillez à ce que le verre soit aligné avec le distributeur afin d'éviter que l'eau ne vous éclabousse.
- Si vous n'utilisez pas le distributeur d'eau pendant 2 à 3 jours, l'eau distribuée peut avoir une odeur ou un goût étrange. Il ne s'agit pas d'un dysfonctionnement du système. Jetez le premier et les 2 premiers verres d'eau.

### Eau trouble

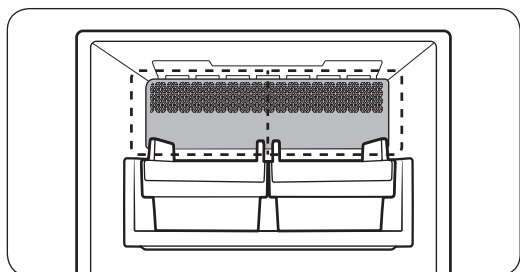
L'eau alimentée dans le réfrigérateur passe à travers un filtre pour eau alcaline. Pendant ce processus de filtrage, la pression de l'eau augmente et l'eau devient saturée en oxygène et en azote. L'eau semble donc temporairement floue ou trouble lorsqu'elle est versée. Ceci est normal ; l'eau deviendra transparente après quelques secondes.



## Machine à glaçons

Le réfrigérateur dispose d'une machine à glaçons intégrée qui distribue automatiquement des glaçons.

- La conception générale et/ou les accessoires peuvent varier d'un modèle à un autre.



- Cet appareil comporte deux types de machines à glaçons.

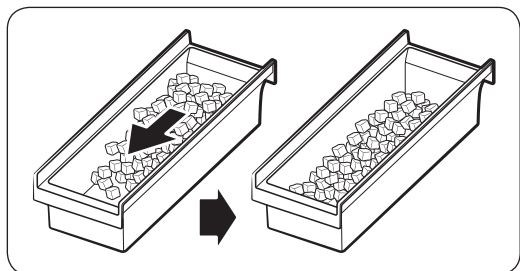
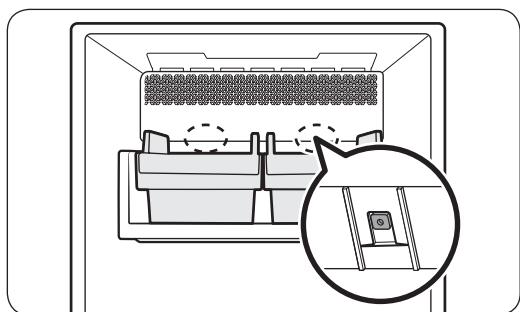
## Fabrication de glaçons

Après avoir installé votre réfrigérateur et l'avoir branché, suivez ces instructions pour garantir une fabrication appropriée de glaçons et garder de la glace à disposition dans le bac à glaçons.

### Première utilisation

- Patientez 1 à 2 jours avant de vous servir de la machine à glaçons.
- Jetez les glaçons remplissant le bac les 2 premières fois afin de retirer les impuretés du système d'alimentation en eau.

### Diagnostic



- La conception générale et/ou les accessoires peuvent varier d'un modèle à un autre.
- Si les glaçons ne sortent pas, vérifiez d'abord l'état de la machine à glaçons en utilisant le bouton **Test** en bas de la machine à glaçons.
- Appuyez sur le bouton **Test** en bas de la machine à glaçons. Vous entendrez un signal sonore (ding-dong) lorsque vous appuierez sur le bouton. Vous entendrez un autre signal sonore si la machine à glaçons fonctionne correctement.
- Il est normal de constater une accumulation de glaçons d'un côté du bac. Étalez les glaçons de façon homogène dans le bac pour en stocker davantage.

# Opérations

---

## **ATTENTION**

- Si vous laissez débranchée la conduite d'eau, le robinet d'arrivée d'eau peut produire un bourdonnement au fil du temps. Si tel est le cas, assurez-vous de désactiver la fonction de fabrication de glaçons (Glaçons / Glace pilée).
- Si la machine à glaçons émet un signal sonore de façon répétitive, contactez l'installateur de la conduite d'eau ou un centre de service Dacor local.
- Ne placez pas d'aliments dans le bac à glaçons. Les aliments surgelés peuvent endommager la machine à glaçons, en particulier lorsque vous ouvrez ou fermez la porte.
- Lorsque l'alimentation du réfrigérateur est rétablie après une panne de courant, le bac à glaçons peut contenir un mélange de glaçons fondus ou coincés, et empêcher la machine à glaçons de fonctionner correctement. Pour éviter cela, assurez-vous de vider le bac à glaçons avant d'utiliser le réfrigérateur.
- Ne mettez pas les doigts ni d'autres objets dans la machine à glaçons. Cela pourrait provoquer des blessures corporelles ou des dommages matériels.
- En raison de la sublimation, les glaçons stockés dans le congélateur pendant une période prolongée deviennent plus petits puis forment de gros blocs de glace. Par conséquent, si vous ne prévoyez pas d'utiliser des glaçons sur une longue période, éteignez la machine à glaçons comme suit.
- Utilisez uniquement les nouveaux tuyaux fournis avec l'appareil. Ne réutilisez pas d'anciens tuyaux.

# Maintenance

---

## Utilisation et entretien

---

### Bac à glaçons (modèles applicables uniquement)

Si vous ne versez pas de glaçons pendant une période prolongée, les glaçons peuvent se coller entre eux à l'intérieur du bac. Si tel est le cas, retirez et videz le bac à glaçons.

#### **ATTENTION**

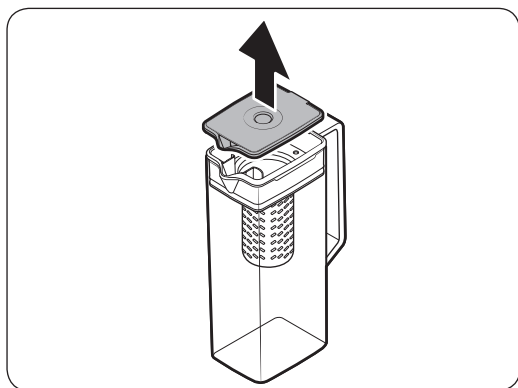
- Pour éviter tout risque de blessure, assurez-vous d'essuyer toute la glace ou l'eau qui est tombée sur le sol.
- Pour éviter tout risque d'accident ou de blessure, ne laissez pas les enfants jouer avec le distributeur d'eau ou la machine à glaçons.
- Utilisez uniquement le bac à glaçons fourni. Les bacs à glaçons de tiers peuvent provoquer une défaillance du système.

#### **REMARQUE**

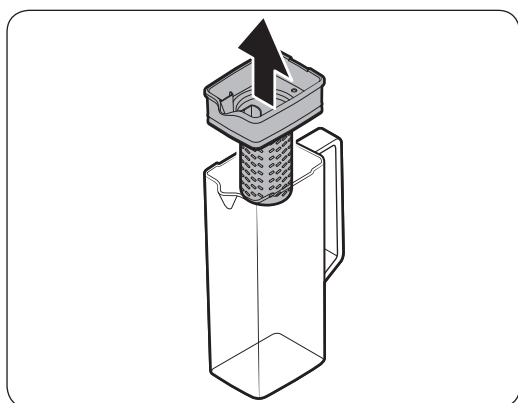
- La pression d'eau requise pour produire des glaçons est comprise entre 20 et 125 psi (138 et 862 kPa).
- Le bruit généré par la machine à glaçons lors du processus de fabrication de glaçons est normal.

# Maintenance

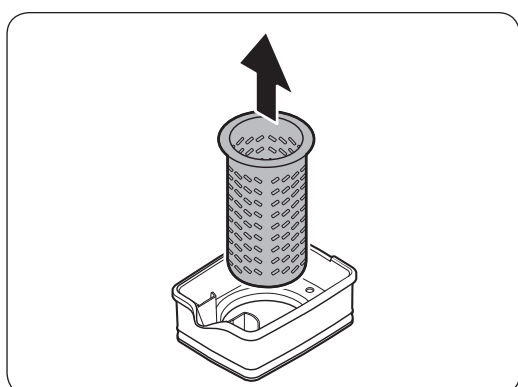
## Pichet à remplissage automatique (modèles applicables uniquement)



1. Saisissez l'une des rainures-poignées du couvercle, puis tirez vers le haut pour le retirer.



2. Saisissez les deux côtés du support du tube à infusion, puis soulevez pour le retirer.



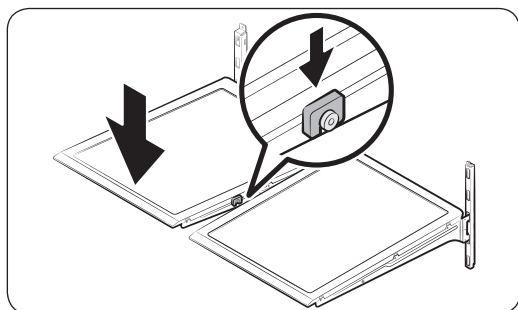
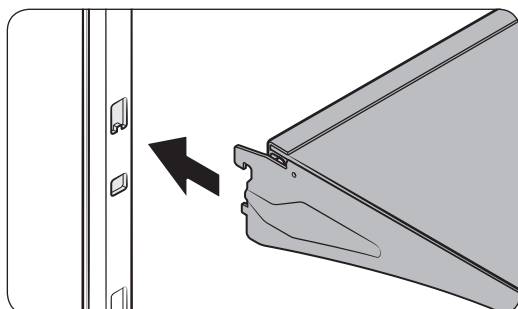
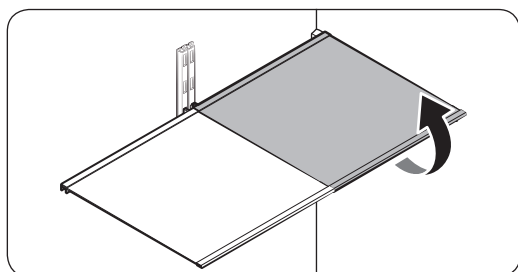
3. Tout en tournant délicatement le tube à infusion, retirez-le de l'ouverture hermétique.
4. Nettoyez le tube à infusion avec des agents neutres et de l'eau claire. Rincez et séchez.
5. Pour remonter le Pichet à remplissage automatique, suivez la procédure de démontage dans le sens inverse.

### ATTENTION

Le pichet à eau et le couvercle ne peuvent pas passer au micro-ondes et risquent de fondre ou de se déformer s'ils sont exposés à la chaleur (y compris de l'eau chaude). Lavez-les à la main avec de l'eau froide ou tiède au besoin.

## Clayettes du réfrigérateur

L'aspect des clayettes diffère selon les modèles.



- Pour retirer une clayette, ouvrez la porte correspondante entièrement. Attrapez la clayette par l'avant, puis soulevez-la doucement et tirez-la pour la retirer.

### REMARQUE

Ne levez pas complètement la clayette lorsque vous la retirez ou la réinsérez. La paroi arrière du réfrigérateur peut être bosselée.

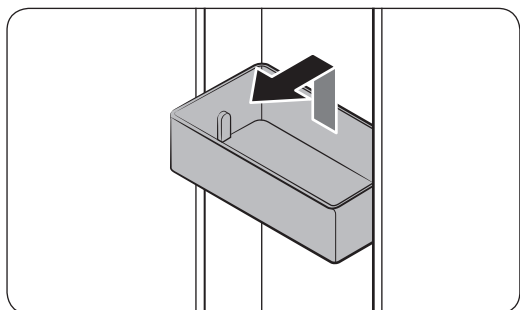
- Pour la remettre en place, maintenez la clayette à un angle de sorte que l'avant soit plus que l'arrière, puis insérez le crochet supérieur dans l'encoche de la clayette supérieure. Puis, abaissez la clayette et insérez le crochet de la clayette inférieure dans l'encoche de la clayette inférieure.

### ATTENTION

- Les clayettes en verre trempé sont lourdes. Soyez prudent lors de leur retrait.
- La clayette doit être mise en place correctement. Ne la mettez pas en place à l'envers.
- Les récipients en verre peuvent rayer la surface des clayettes en verre.

# Maintenance

## Bacs de la porte



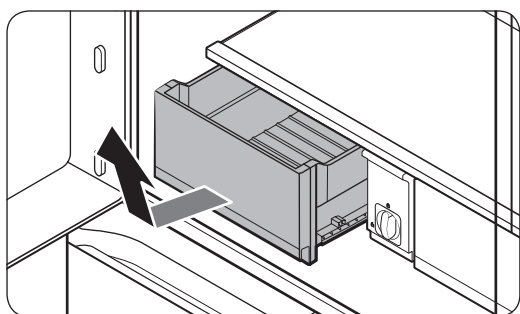
- Pour retirer le **bac de la porte**, tenez le côté avant du bac puis levez-le délicatement pour le retirer.
- Pour le réinsérer, insérez le **bac de la porte** légèrement au-dessus de son emplacement final en vous assurant que l'arrière du bac se trouve contre la porte. Tenez l'arrière du **bac de la porte** avec les deux mains, puis appuyez pour qu'il s'insère correctement.

### ⚠ ATTENTION

- Ne retirez pas un bac rempli d'aliments. Videz-le au préalable.
- Ouvrez la porte avec précaution si le bac du fond contient de grandes bouteilles, ces dernières pouvant tomber.
- Ne laissez pas les enfants jouer avec les bacs. Les coins pointus du bac peuvent vous blesser.

## Tiroirs du réfrigérateur

### Tiroir à légumes+ / Tiroir flexible à légumes



Soulevez doucement l'avant du tiroir et faites-le glisser pour le retirer.

- Nous vous recommandons de retirer les bacs de la porte avant de retirer le tiroir. Cela permet d'éviter d'endommager les bacs de la porte.
- Pour réinsérer, insérez le tiroir dans les rails du cadre puis faites-le glisser vers l'intérieur.

## Nettoyage

### Intérieur et extérieur

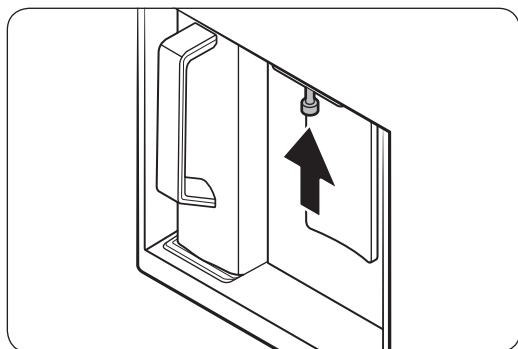
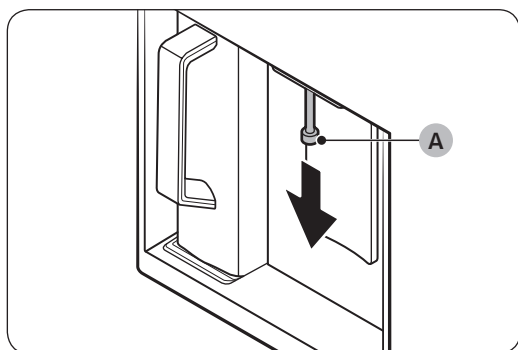
#### **AVERTISSEMENT**

- N'utilisez pas de benzène, de diluant, de nettoyant domestique/pour voiture ou d'eau de Javel (Clorox™) pour nettoyer le réfrigérateur. Ces produits risquent d'endommager la surface du réfrigérateur et de provoquer un incendie.
- Évitez de vaporiser de l'eau directement sur le réfrigérateur. Cela est susceptible de provoquer un choc électrique.

Retirez régulièrement toutes les substances étrangères telles que la poussière ou l'eau des fiches de la prise électrique et des points de contact à l'aide d'un chiffon sec.

1. Débranchez le cordon d'alimentation.
2. Mouillez légèrement un chiffon doux non pelucheux ou une serviette en papier pour nettoyer l'intérieur et l'extérieur du réfrigérateur.
3. Ensuite, utilisez un chiffon sec ou une serviette en papier pour bien sécher les surfaces.
4. Branchez le cordon d'alimentation.

#### Vanne du distributeur (modèles applicables uniquement)



1. Attrapez l'extrémité de la vanne du distributeur (A).
2. Tout en tournant la vanne du distributeur (A) vers la gauche, tirez-la vers le bas pour la retirer du distributeur.

3. Nettoyez soigneusement la vanne du distributeur, puis réinstallez-la.

#### **ATTENTION**

- Insérez complètement la vanne du distributeur, tel qu'elle était initialement installée.
- N'utilisez pas d'éponge à poils durs pour nettoyer la vanne du distributeur.

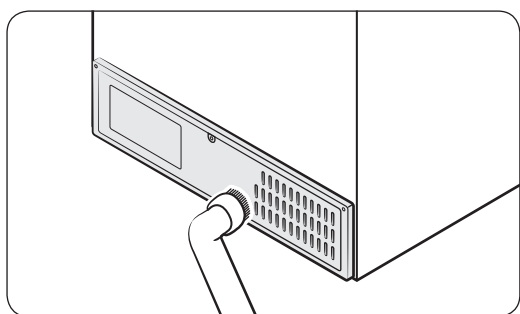
# Maintenance

---

## Joint en caoutchouc

Si les joints en caoutchouc d'une porte se salissent, la porte peut ne pas se fermer correctement et les performances et l'efficacité du réfrigérateur peuvent être affectées. Utilisez un produit nettoyant et un chiffon doux pour nettoyer les joints en caoutchouc. Essuyez bien avec un chiffon.

## Panneau arrière



Pour maintenir les cordons et les pièces exposées du panneau arrière propres, aspirez le panneau une ou deux fois par an.

### **ATTENTION**

Ne retirez pas le cache du panneau arrière. Un choc électrique peut se produire.

## Remplacement

---

### Filtre à eau

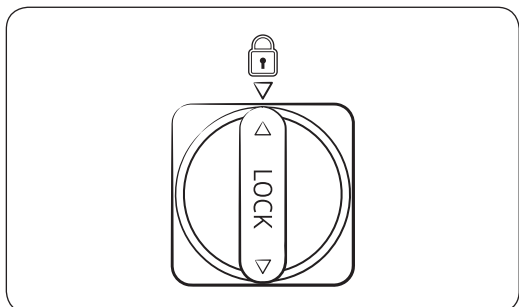
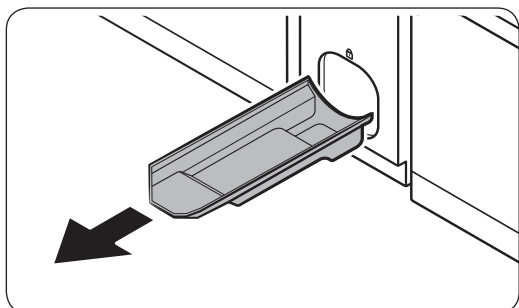
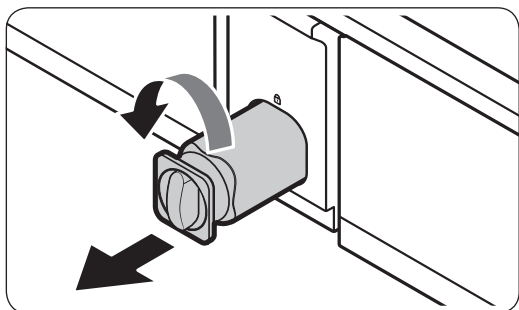
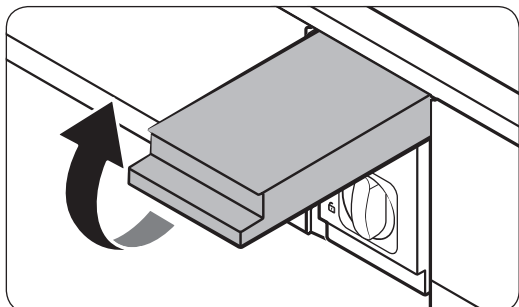
#### **AVERTISSEMENT**

- N'utilisez pas de filtres à eau de tiers. Utilisez uniquement des filtres fournis ou homologués Dacor.
- Les filtres non homologués peuvent fuir et endommager le réfrigérateur, entraînant alors un risque de choc électrique.

Dacor ne peut être tenue responsable en cas de dommages découlant de l'utilisation de filtres à eau de tiers.

Le message « **Replace water filter (Remplacez le filtre à eau)** » s'affiche sur le panneau de commande pour vous informer qu'il est temps de remplacer le filtre à eau. Avant de remplacer le filtre, assurez-vous que la conduite d'alimentation en eau est coupée.





1. Coupez l'alimentation en eau.
2. Ouvrez le cache de la cartouche du filtre.
3. Tournez le bouton de la cartouche du filtre de 90 degrés ( $\frac{1}{4}$  de tour) dans le sens antihoraire. La cartouche de filtre se déverrouille.
4. Tirez dessus pour retirer la cartouche.
  - Si le filtre à eau est très contaminé, la cartouche peut être difficile à retirer. Si tel est le cas, utilisez la force pour retirer la cartouche.
  - Pour éviter les fuites d'eau au niveau de l'ouverture du filtre, gardez la cartouche dans l'axe lors de son retrait.
5. Mettez la nouvelle cartouche de filtre en place. Utilisez uniquement des filtres fournis ou homologués Dacor.
6. Tournez le bouton de la cartouche dans le sens horaire pour la verrouiller en place.
7. Fermez le cache de la cartouche du filtre.
8. Sur le panneau de commande, allez dans **More Options (Autres options)** puis lancez la fonction **Filter Reset (Réinitialisation du filtre)**.

# Maintenance

---

## REMARQUE

- De l'eau peut brièvement gicler du distributeur d'eau si le filtre a récemment été installé. Cela est dû à l'air pénétrant dans la conduite d'eau.
- Après le processus de remplacement, le distributeur d'eau peut goutter pendant une courte durée. S'il goutte, essuyez simplement l'eau présente sur le sol à l'aide d'un chiffon sec.

## Système de filtration d'eau d'osmose inverse

La pression d'eau du système d'alimentation en eau vers un système de filtration d'eau d'osmose inverse doit être comprise entre 35 psi et 120 psi (241 kPa et 827 kPa).

La pression d'eau du système de filtration d'eau d'osmose inverse vers la conduite d'eau du réfrigérateur doit être d'au moins 40 psi (276 kPa). Si la pression d'eau est inférieure à ces spécifications :

- Vérifiez si le filtre sédiment du système d'osmose inverse n'est pas obstrué. Remplacez le filtre si nécessaire.
- Remplissez à nouveau le réservoir d'eau dans le système d'osmose inverse avec de l'eau.
- Si votre réfrigérateur est équipé d'un filtre à eau, cela peut réduire davantage la pression de l'eau s'il est utilisé en conjonction avec un système d'osmose inverse. Retirez le filtre à eau.

Pour plus d'informations ou un entretien, contactez un plombier professionnel autorisé.

## Commander un filtre neuf

Pour acheter un filtre à eau neuf, communiquez avec un agent de service local.

## Ampoules LED

Pour remplacer les ampoules du réfrigérateur, contactez un fournisseur de service local.

## AVERTISSEMENT

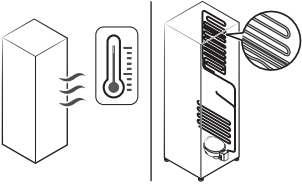
- Les ampoules ne peuvent pas être remplacées par l'utilisateur. N'essayez pas de remplacer une ampoule par vous-même. Cette opération peut causer un choc électrique.

# Dépannage

Avant de communiquer avec le service d'assistance, vérifiez les points ci-dessous. Tout appel d'assistance concernant des situations normales (pas de défaillances) sera facturé aux utilisateurs.

## Généralités

### Température

Symptôme	Causes possibles	Solution
Le réfrigérateur/ congélateur ne fonctionne pas. La température du réfrigérateur/congélateur est élevée.	<ul style="list-style-type: none"> <li>Le cordon d'alimentation est mal branché.</li> </ul>	<ul style="list-style-type: none"> <li>Branchez correctement le cordon d'alimentation.</li> </ul>
	<ul style="list-style-type: none"> <li>Le contrôle de la température n'est pas réglé correctement.</li> </ul>	<ul style="list-style-type: none"> <li>Abaissez la température.</li> </ul>
	<ul style="list-style-type: none"> <li>Le réfrigérateur se trouve à proximité d'une source de chaleur ou est en contact direct avec les rayons du soleil.</li> </ul>	<ul style="list-style-type: none"> <li>Éloignez votre réfrigérateur de la lumière directe du soleil et de toute source de chaleur.</li> </ul>
	<ul style="list-style-type: none"> <li>Espace insuffisant entre le réfrigérateur et les murs ou armoires à proximité.</li> </ul>	<ul style="list-style-type: none"> <li>Assurez-vous qu'il y ait un espace minimal de 2,5 pouces (5 cm) entre l'arrière/les côtés du réfrigérateur et tout mur ou armoire à proximité.</li> </ul>
	<ul style="list-style-type: none"> <li>Le réfrigérateur est surchargé. Les orifices d'aération du réfrigérateur sont obstrués par des aliments.</li> </ul>	<ul style="list-style-type: none"> <li>Ne surchargez pas le réfrigérateur. Veillez à ce que les orifices d'aération ne soient pas bloqués par des aliments.</li> </ul>
Le réfrigérateur/ congélateur refroidit trop.	<ul style="list-style-type: none"> <li>Le contrôle de la température n'est pas réglé correctement.</li> </ul>	<ul style="list-style-type: none"> <li>Augmentez la température.</li> </ul>
Les parois intérieures sont chaudes.	<ul style="list-style-type: none"> <li>Le réfrigérateur est équipé de tuyaux résistants à la chaleur dans la paroi intérieure.</li> </ul>	<ul style="list-style-type: none"> <li>Pour prévenir de la condensation, le réfrigérateur est équipé de tuyaux résistants à la chaleur dans les coins avant. Lorsque la température ambiante augmente, cet équipement peut ne pas fonctionner correctement. Il ne s'agit pas d'un dysfonctionnement du système.</li> </ul> 

# Dépannage

## Odeurs

Symptôme	Causes possibles	Solution
Le réfrigérateur dégage des odeurs.	• Aliments abîmés.	• Nettoyez le réfrigérateur et retirez tout aliment abîmé.
	• Aliments dégageant de fortes odeurs.	• Assurez-vous que les aliments dégageant de fortes odeurs sont emballés de manière hermétique.

## Givre

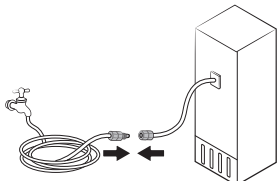
Symptôme	Causes possibles	Solution
Givre autour des aérations.	• Les orifices d'aération sont obstrués par des aliments.	• Assurez-vous qu'aucun aliment n'obstrue les orifices d'aération du réfrigérateur.
Givre sur les parois intérieures.	• La porte n'est pas fermée correctement.	• Assurez-vous qu'aucun aliment ne bloque la porte. Nettoyez le joint de la porte.
Des fruits ou des légumes sont congelés.	• Les fruits et les légumes sont stockés dans la Zone ajustable.	• Ne stockez pas la plupart des fruits et légumes dans la Zone ajustable.

## Condensation

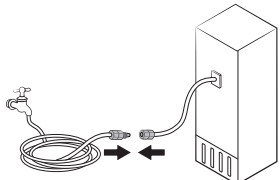
Symptôme	Causes possibles	Solution
De la condensation se forme sur les parois intérieures.	• Si la porte reste ouverte, de l'humidité entre dans le réfrigérateur.	• Éliminez l'humidité, évitez d'ouvrir la porte trop souvent ou de la laisser ouverte trop longtemps.
	• Des aliments contiennent une humidité élevée.	• Assurez-vous que ces aliments sont emballés de manière hermétique.

## Eau/Glace (modèles avec distributeur uniquement)

Symptôme	Causes possibles	Solution
Le débit d'eau est plus faible qu'en temps normal.	• La pression de l'eau est trop basse.	• Assurez-vous que la pression d'eau se situe entre 20 et 120 psi (138 et 827 kPa).
La machine à glaçons émet un bourdonnement.	• La fonction Fabrication de glaçons est activée mais l'arrivée d'eau n'a pas été raccordée au réfrigérateur.	• Éteignez la machine à glaçons.

Symptôme	Causes possibles	Solution
La machine à glaçons ne produit pas de glace.	<ul style="list-style-type: none"> <li>La machine à glaçons vient d'être installée.</li> </ul>	<ul style="list-style-type: none"> <li>Vous devez attendre 12 heures jusqu'à ce que le réfrigérateur produise de la glace.</li> </ul>
	<ul style="list-style-type: none"> <li>La température du congélateur est trop élevée.</li> </ul>	<ul style="list-style-type: none"> <li>Réglez la température du congélateur en dessous de 0 °F (-18 °C) ou -4 °F (-20 °C) si l'air ambiant est chaud.</li> </ul>
	<ul style="list-style-type: none"> <li>La machine à glaçons est éteinte.</li> </ul>	<ul style="list-style-type: none"> <li>Allumez la machine à glaçons.</li> </ul>
La glace ne s'écoule pas.	<ul style="list-style-type: none"> <li>La glace peut se coincer si le distributeur de glace n'est pas utilisé pendant une période prolongée (environ 3 semaines).</li> </ul>	<ul style="list-style-type: none"> <li>Si vous savez que vous n'allez pas utiliser votre réfrigérateur pendant une période prolongée, videz le bac à glaçons et éteignez la machine à glaçons.</li> </ul>
	<ul style="list-style-type: none"> <li>Le bac à glaçons n'est pas inséré correctement.</li> </ul>	<ul style="list-style-type: none"> <li>Assurez-vous que le bac à glaçons est inséré correctement.</li> </ul>
	<ul style="list-style-type: none"> <li>La conduite d'eau n'est pas raccordée correctement ou l'arrivée d'eau n'est pas activée.</li> </ul>	<ul style="list-style-type: none"> <li>Vérifiez si la conduite d'eau est installée correctement. Vérifiez si la vanne d'arrêt du tuyau d'eau est fermée.</li> </ul> 

# Dépannage

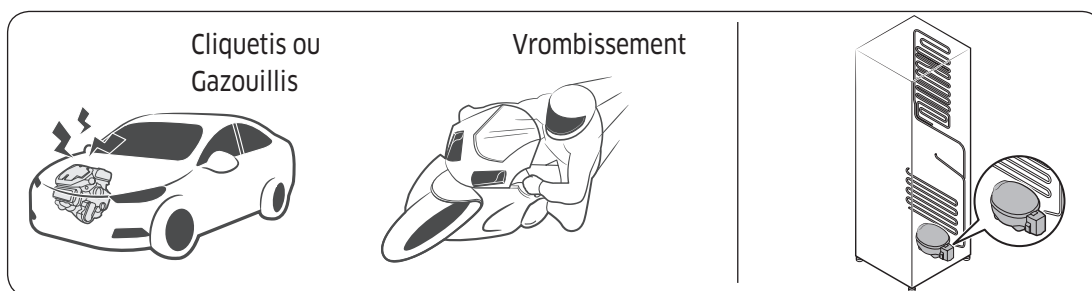
Symptôme	Causes possibles	Solution
L'eau ne s'écoule pas.	<ul style="list-style-type: none"> <li>La conduite d'eau n'est pas raccordée correctement ou l'arrivée d'eau n'est pas activée.</li> </ul>	<ul style="list-style-type: none"> <li>Vérifiez si la conduite d'eau est installée correctement. Vérifiez si la vanne d'arrêt du tuyau d'eau est fermée.</li> </ul> 
	<ul style="list-style-type: none"> <li>Un filtre provenant d'un tiers a été installé.</li> </ul>	<ul style="list-style-type: none"> <li>Utilisez uniquement des filtres fournis ou homologués Dacor.</li> <li>Les filtres non homologués peuvent fuir ou endommager le réfrigérateur.</li> </ul>
	<ul style="list-style-type: none"> <li>Le message « <b>Replace water filter (Remplacez le filtre à eau)</b> » s'affiche sur le panneau de commande.</li> </ul>	<ul style="list-style-type: none"> <li>Remplacez le filtre à eau. Ensuite, sur le panneau de commande, allez dans <b>More Options (Autres options)</b> puis lancez la fonction <b>Filter Reset (Réinitialisation du filtre)</b>.</li> </ul>

## Votre réfrigérateur émet un bruit anormal ?

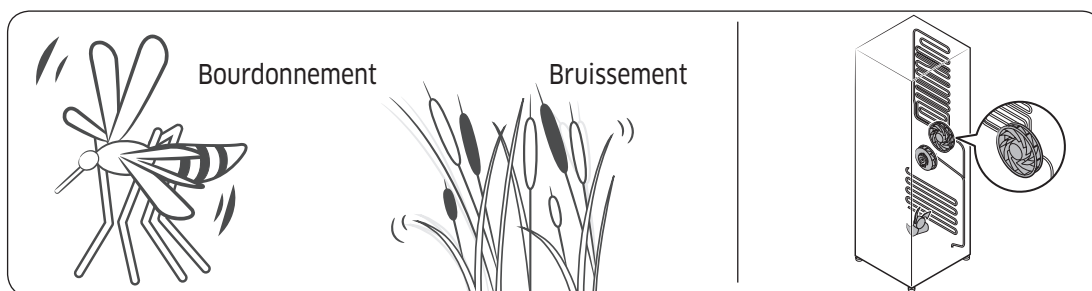
Avant de communiquer avec le service d'assistance, vérifiez les points ci-dessous. Tout appel d'assistance concernant des sons normaux sera facturé à l'utilisateur.

### Ces bruits sont normaux.

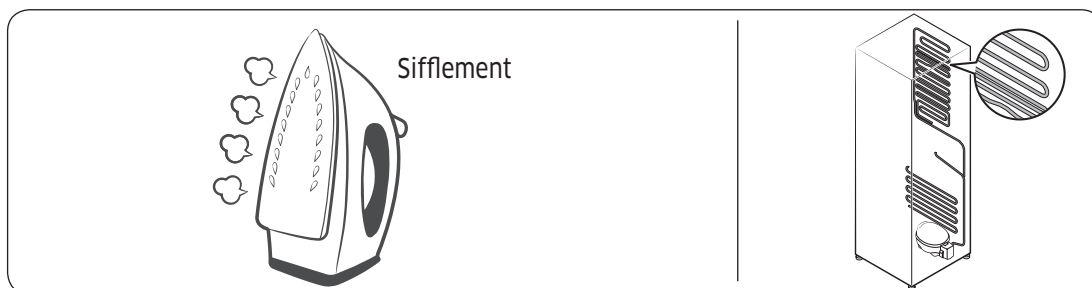
- Lorsque vous démarrez ou arrêtez une opération, le réfrigérateur peut émettre un son similaire à celui d'un moteur de voiture au démarrage. Ces bruits s'atténueront au fur et à mesure que l'opération se stabilise.



- Ces bruits peuvent être émis lorsque le ventilateur est en marche. Lorsque le réfrigérateur a atteint la température réglée, le ventilateur ne doit émettre aucun son.

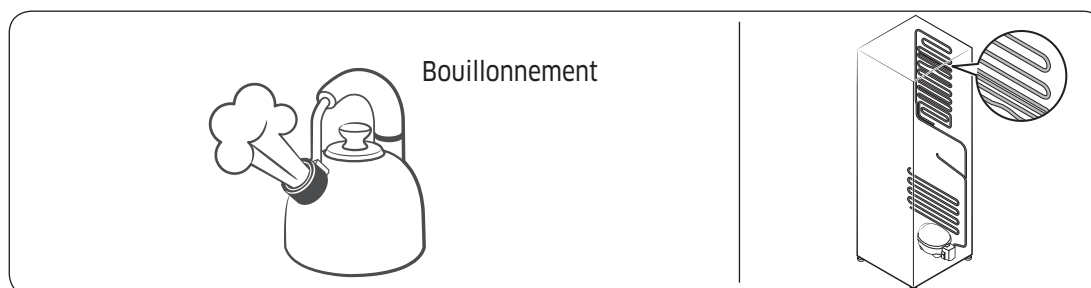


- Lors d'un cycle de dégivrage, de l'eau peut s'écouler sur la résistance de dégivrage et provoquer un grésillement.

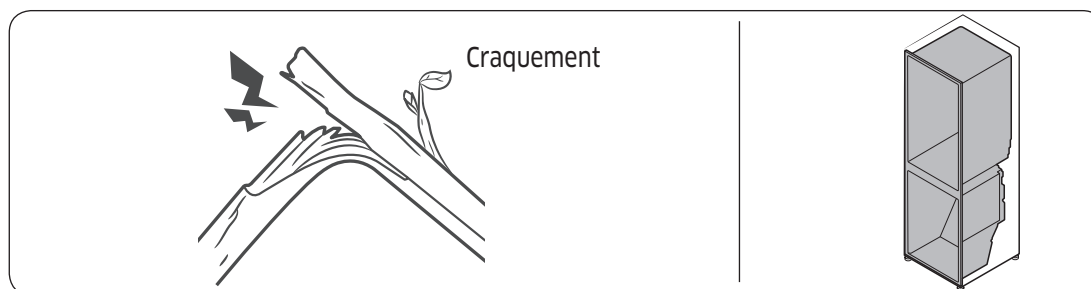


# Dépannage

- Lorsque le réfrigérateur refroidit ou congèle, du gaz réfrigérant se déplace à travers les conduites étanches et peut provoquer un bruit de bouillonnement.



- Lorsque la température du réfrigérateur augmente ou diminue, les pièces en plastique se contractent et s'étirent, ce qui peut créer des bruits de cognement. Ces bruits se manifestent lors du cycle de dégivrage ou lorsque les pièces électroniques sont en marche.



- Pour les modèles avec machine à glaçons : lorsque le robinet d'arrivée d'eau s'ouvre pour alimenter la machine à glaçons, des bourdonnements peuvent être émis.
- L'égalisation de la pression au moment de l'ouverture et de la fermeture de la porte du réfrigérateur peut produire des bruits de souffle.



## Application SmartThings

Symptôme	Action
L'application « SmartThings » est introuvable sur le marché des applications.	<ul style="list-style-type: none"><li>• L'application SmartThings n'est pas disponible pour certains modèles de tablette, iPad et smartphone.<ul style="list-style-type: none"><li>- Prise en charge nécessitant le système d'exploitation [Android] 6.0 ou une version ultérieure (minimum 2 Go de mémoire RAM).</li><li>- Prise en charge nécessitant le système d'exploitation [iOS] 10.0 ou une version ultérieure/un iPhone 6 ou plus récent.</li></ul></li></ul>
L'application SmartThings ne fonctionne pas.	<ul style="list-style-type: none"><li>• L'application SmartThings est disponible pour les modèles applicables uniquement.</li><li>• L'ancienne application Dacor Smart Refrigerator ne peut pas se connecter à des modèles Dacor Smart Home.</li></ul>
L'application SmartThings est installée mais n'est pas connectée à mon réfrigérateur.	<ul style="list-style-type: none"><li>• Vous devez vous connecter à votre compte Samsung pour pouvoir utiliser l'application.</li><li>• Assurez-vous que votre routeur fonctionne normalement.</li><li>• Si l'icône de connexion Wi-Fi est éteinte sur l'écran du réfrigérateur, cela indique qu'aucune connexion au réseau n'a encore été établie. Dans ce cas, utilisez l'application SmartThings pour connecter et enregistrer votre réfrigérateur au point d'accès (PA) de votre maison.</li></ul>
Connexion à l'application impossible.	<ul style="list-style-type: none"><li>• Vous devez vous connecter à votre compte Samsung pour pouvoir utiliser l'application.</li><li>• Si vous n'avez pas de compte Samsung, suivez les instructions de l'application affichées à l'écran pour en créer un.</li></ul>
Un message d'erreur apparaît lorsque j'essaie d'enregistrer mon réfrigérateur.	<ul style="list-style-type: none"><li>• Connexion facile peut échouer en raison de la distance par rapport au point d'accès (PA) ou d'interférences électriques provenant de l'environnement. Attendez un moment puis réessayez.</li></ul>
L'application SmartThings est bien connectée à mon réfrigérateur mais ne fonctionne pas.	<ul style="list-style-type: none"><li>• Quittez puis redémarrez l'application SmartThings, ou déconnectez et reconnectez le routeur.</li><li>• Éteignez le réfrigérateur, puis rallumez-le après avoir attendu 1 minute.</li></ul>

# Dépannage

## Smart Grid (Réponse à la demande)

Symptôme	Action
De quoi ai-je besoin pour utiliser les fonctions Gestion de l'énergie et Smart Grid (Réponse à la demande) ?	<ul style="list-style-type: none"><li>• Pour utiliser les fonctions Smart Grid (Réponse à la demande) et Gestion de l'énergie de votre réfrigérateur, les appareils et applications suivants sont nécessaires :<ul style="list-style-type: none"><li>- Appareils : 1) Un routeur sans fil ; 2) Un réfrigérateur SmartThings ; 3) Un smartphone. (Recommandé : système d'exploitation Android 6.0 ou une version ultérieure)</li><li>- Applications : 1) L'application « SmartThings » disponible sur Google Play Store.</li></ul></li><li>• Vous devrez également :<ul style="list-style-type: none"><li>• Connecter le réfrigérateur et le smartphone au même réseau Wi-Fi de votre habitation.</li><li>• Installer et lancez l'application SmartThings sur votre smartphone.</li><li>• De plus, pour utiliser la fonction Smart Grid (Réponse à la demande), vous devez souscrire au service auprès de votre fournisseur d'électricité. Celui-ci doit disposer d'un système de gestion de l'énergie (EMS, Energy Management System) prenant en charge le profil SEP (Smart Energy Profile).</li></ul></li></ul>
Pourquoi la fonction Gestion de l'énergie ne fonctionne-t-elle pas correctement ?	<ul style="list-style-type: none"><li>• Vérifiez que le routeur de votre domicile, ainsi que le réseau Internet, fonctionnent correctement.<ul style="list-style-type: none"><li>- Connectez un smartphone au routeur (point d'accès, PA) et vérifiez que vous pouvez naviguer sur Internet depuis le téléphone.</li></ul></li><li>• Vérifiez que le réfrigérateur est connecté au point d'accès.<ul style="list-style-type: none"><li>- Vérifiez l'icône Wi-Fi sur le panneau du réfrigérateur. Si le réfrigérateur est connecté, l'icône sera allumée.</li></ul></li><li>• Vérifiez que le réfrigérateur et le smartphone sont connectés au même routeur.</li></ul>
Pourquoi la fonction de dégivrage différé ne fonctionne-t-elle pas correctement ?	<ul style="list-style-type: none"><li>• Vérifiez que le routeur de votre domicile, ainsi que le réseau Internet, fonctionnent correctement.</li><li>• Connectez un smartphone au routeur (point d'accès, PA) et vérifiez que vous pouvez naviguer sur Internet depuis le téléphone.</li><li>• Vérifiez que votre zone de résidence est correctement saisie dans l'application SmartThings.</li><li>• Vérifiez que la fonction Smart Grid (Réponse à la demande) fonctionne correctement. (Vérifiez le panneau de commande. L'icône DAL ou TALR ne doit pas s'afficher sur l'écran.)</li></ul>

# Garantie

## Service client

Avant de demander de l'aide ou de programmer une réparation :

1. Essayez les solutions proposées dans le tableau de résolution des problèmes de la section « Dépannage ».
2. Prenez connaissance des conditions de garantie de votre appareil.
3. Si aucun de ces conseils ou suggestions ne permet de résoudre votre problème, rendez-vous sur le site [dacor.com](http://dacor.com) ou appelez notre centre de service client au (833) 353-5483 (États-Unis) ou au (844) 509-4659 (Canada).

## États-Unis - Garantie

CERTIFICAT DE GARANTIE POUR LE RÉFRIGÉRATEUR DACOR - ÉTATS-UNIS :

### PLEINE GARANTIE DE DEUX ANS

La présente garantie couvre tout défaut de matière ou de fabrication sur le nouvel appareil de la marque Dacor acheté auprès d'un revendeur Dacor agréé ou d'un autre vendeur agréé par Dacor.

L'intégralité de la présente garantie s'appliquent pendant deux ans à compter de la date figurant sur le reçu d'achat original ou de la date de règlement pour les nouvelles constructions, quelle que soit la période la plus longue. Dacor réparera ou remplacera votre appareil.

### GARANTIE LIMITÉE

Une fois toute la période de garantie écoulee, cet appareil est garanti contre les défauts de matière ou de fabrication signalés par nos soins pendant les périodes de garantie applicables, comme suit :

3 à 6 ans de possession : pièces et main-d'œuvre sur le système hermétique	Pendant les trois à six premières années de possession, nous prendrons à notre charge les pièces spécifiées d'usine et les coûts de main-d'œuvre pour la réparation afin de corriger les défauts de matière ou de fabrication dans le système de réfrigération hermétique (compresseur, évaporateur, condensateur, déshydrateur et tuyau de raccordement).
7 à 12 ans de possession : pièces seules sur le système hermétique	Pendant les sept à douze premières années de possession, nous prendrons à notre charge <b>uniquement les pièces spécifiées d'usine</b> afin de corriger les défauts dans le système de réfrigération hermétique.
13 à 15 ans de possession : pièces seules sur le compresseur	Pendant les treize à quinze premières années de possession, nous prendrons à notre charge <b>uniquement les pièces spécifiées d'usine</b> afin de corriger les défauts dans le compresseur.

# Garantie

---

**Défauts esthétiques.** En outre, durant les 60 jours suivant la date d'achat, votre appareil est garanti comme étant exempt de défauts esthétiques de matière et de fabrication (comme des rayures sur l'acier inoxydable, un ternissement de la peinture/porcelaine, éclats, piqûres ou autres dommages sur la finition). Les variations de couleur sont exclues et les appareils de démonstration, d'atelier, « en l'état » ou rénovés sont spécifiquement exclus.

## LIMITATIONS DE LA COUVERTURE

L'assistance sera fournie par une entreprise de service désignée par Dacor pendant les heures d'ouverture normales. Veuillez noter que les prestataires de service sont des entités indépendantes et ne sont pas des agents de Dacor.

Le propriétaire doit fournir un justificatif d'achat ou un relevé de clôture pour les nouvelles constructions sur demande. Tous les appareils Dacor doivent être accessibles pour pouvoir effectuer l'intervention.

La garantie sera nulle et non avenue sur les appareils altérés, déformés ou en cas d'étiquettes et de numéros de série manquants.

La garantie est nulle et non avenue si des appareils non homologués CSA sont importés des États-Unis.

## CE QUE LA GARANTIE NE COUVRE PAS

<ul style="list-style-type: none"><li>En raison des différences entre les pièces peintes, l'éclairage de la cuisine, le placement de l'appareil et d'autres facteurs ; la présente garantie ne s'applique pas aux variations de couleur.</li></ul>	<ul style="list-style-type: none"><li>Les appels d'assistance pour conseiller le client sur la bonne utilisation et le bon entretien de l'appareil.</li></ul>
<ul style="list-style-type: none"><li>Les frais de service concernant un transport à destination d'îles ou de zones isolées, incluant sans s'y limiter les ferrys, les autoroutes à péage ou autres frais de transport.</li></ul>	<ul style="list-style-type: none"><li>Les dommages généraux ou accessoires, incluant sans s'y limiter : perte d'aliments ou de médicaments, temps hors travail, repas en restaurants.</li></ul>
<ul style="list-style-type: none"><li>L'utilisation à des fins commerciales, professionnelles ou locatives, ou pour toute autre application qu'une utilisation résidentielle.</li></ul>	<ul style="list-style-type: none"><li>Défaillance de l'appareil provoquée par une mauvaise installation de l'appareil.</li></ul>
<ul style="list-style-type: none"><li>Remplacement des fusibles, boîtiers à fusibles ou réinitialisation des disjoncteurs.</li></ul>	<ul style="list-style-type: none"><li>Les dommages causés par un accident, un incendie, une inondation, une coupure de courant, une saute de puissance ou des cas de force majeure.</li></ul>
<ul style="list-style-type: none"><li>Responsabilité établie pour des dommages sur l'environnement immédiat incluant le mobilier, les sols, les plafonds et autres structures ou objets.</li></ul>	<ul style="list-style-type: none"><li>Cassure, décoloration ou dommage sur le verre, les surfaces métalliques, les composants plastiques, la peinture ou les finitions causés par un(e) mauvais(e) utilisation, entretien, abus ou négligence.</li></ul>
<ul style="list-style-type: none"><li>À l'exception des éléments précités, les pièces consommables, telles que les filtres et les ampoules, ne sont pas couvertes et sont donc sous la responsabilité de l'acheteur.</li></ul>	

# Garantie

---

LES SOLUTIONS FOURNIES DANS LES GARANTIES EXPRESSES CI-DESSUS CONSTITUENT LES SOLUTIONS UNIQUES ET EXCLUSIVES. AINSI, AUCUNE AUTRE GARANTIE EXPRESSE N'EST FAITE ET, EN DEHORS DES CINQUANTE ÉTATS DES ÉTATS-UNIS ET DU CANADA, TOUTE GARANTIE IMPLICITE, INCLUANT SANS POUR AUTANT S'Y LIMITER TOUTE GARANTIE IMPLICITE DE QUALITÉ MARCHANDE OU D'ADÉQUATION À DES FINS OU À UN USAGE PARTICULIERS, EST LIMITÉE À UNE DURÉE D'UN AN À COMPTER DE LA DATE ORIGINALE D'ACHAT. EN AUCUN CAS DACOR NE SERA TENUE RESPONSABLE DE FRAIS ACCESSOIRES OU DE DOMMAGES INDIRECTS. DANS LE CAS OÙ DACOR INTENTERAIT UNE ACTION EN JUSTICE, DACOR POURRA DEMANDER LE REMBOURSEMENT DE TOUS LES FRAIS ET DÉPENSES, INCLUANT LES FRAIS D'AVOCAT, AU CLIENT DACOR. AUCUNE GARANTIE, EXPRESSE OU IMPLICITE, N'EST FAITE À UN QUELCONQUE ACHETEUR POUR LA REVENTE.

Certains États n'autorisent pas les limitations de durée de garantie implicite, ou l'exclusion/la limitation des dommages négligeables. Par conséquent, il se peut que les limitations ou exclusions spécifiées ci-dessus ne s'appliquent pas dans votre cas. La présente garantie vous confère des droits légaux spécifiques ; il est donc possible que vous bénéficiiez d'autres droits qui varieront d'un État ou d'une juridiction à un(e) autre.

Émetteur de la garantie : Samsung Electronics America, Ridgefield Park, NJ 07660

## Canada - Garantie

### CERTIFICAT DE GARANTIE POUR LE RÉFRIGÉRATEUR DACOR - CANADA :

La présente Garantie limitée couvre uniquement les Appareils fournis et distribués au Canada par nos soins et livrés neufs, dans le carton ou l'emballage d'origine à l'acheteur initial, et ayant été achetés auprès d'un revendeur ou distributeur agréé, à l'exception des conditions stipulées dans la présente. Sauf lorsque tel est interdit par la loi en vigueur dans la province, seul l'acheteur initial de l'Appareil jouit des droits octroyés dans le cadre de la présente Garantie limitée et la présente Garantie limitée n'est ni cessible ni attribuable.

Toutes les affirmations supplémentaires, telles que celles faites par le commerçant à des fins de promotion ou de présentation, qu'elles soient orales ou écrites, exprimant des garanties ou des modifications supplémentaires à la présente Garantie limitée ne constituent pas des garanties faites par nos soins et elles ne doivent pas être considérées comme fiables.

#### 1. CE QUE LA GARANTIE COUVRE ET PÉRIODE DE GARANTIE

Nous garantissons à l'acheteur initial (« l'Acheteur ») que votre réfrigérateur Dacor acheté auprès d'un revendeur ou distributeur agréé au Canada (les « Appareils ») est exempt de défauts de matière et de fabrication rencontrés dans le cadre d'une utilisation normale durant la période de garantie identifiée ci-dessous, entrant en vigueur à compter de la date d'achat ou de la date d'arrêt de fabrication de nouveaux modèles, la période la plus longue prévalant.

Appareil ou pièce Dacor	Période de Garantie et éléments couverts par la Garantie
Réfrigérateur	Deux (2) ans : pièces et main-d'œuvre
Système hermétique du réfrigérateur (compresseur, évaporateur, condensateur, déshydrateur et tuyau de raccordement)	Six (6) ans : pièces et main-d'œuvre
Système hermétique du réfrigérateur (compresseur, évaporateur, condensateur, déshydrateur et tuyau de raccordement)	Douze (12) ans : pièces uniquement
Compresseur du réfrigérateur	Quinze (15) ans : pièces uniquement

**Défauts esthétiques.** Durant les soixante (60) jours suivant la date d'achat, l'Appareil est garanti comme étant exempt de défauts esthétiques de matière et de fabrication (comme des rayures sur l'acier inoxydable, un ternissement de la peinture/porcelaine, éclats, piqûres ou autres dommages sur la finition). Les variations de couleur sont exclues et les appareils de démonstration, d'atelier, « en l'état » ou rénovés sont spécifiquement exclus.

# Garantie

## 2. LIMITATIONS DE LA COUVERTURE

Si l'Appareil ne fonctionne pas conformément aux spécifications de l'Appareil durant la période de garantie applicable et que le dysfonctionnement est dû à un défaut de matière ou de fabrication, nous réparerons ou remplacerons, à notre entière discrétion et sans frais pour l'Acheteur, l'Appareil ou toute pièce défectueuse de l'Appareil. Nous pouvons, à notre entière discrétion, utiliser des pièces ou composants réparés, reconditionnés ou neufs lors de la réparation d'un Appareil. Si le même modèle d'Appareil ou de pièce n'est pas disponible pour procéder au remplacement, nous pouvons, à notre entière discrétion, remplacer l'Appareil ou la pièce par un Appareil ou une pièce réparé, rénové, reconditionné ou neuf ayant une fonction et une valeur similaires à celles de l'Appareil ou de la pièce à remplacer.

Nous nous réservons expressément le droit exclusif, à notre entière discrétion et à la place de toute intervention, réparation ou remplacement sur un Appareil couvert par la présente Garantie limitée, de proposer à l'Acheteur un remboursement partiel du prix d'achat initial payé par l'Acheteur pour cet Appareil (un « Remboursement partiel »). Le montant de tout Remboursement partiel à proposer devra être déterminé par nos soins selon la juste valeur marchande de l'Appareil compte tenu de son ancienneté et de son état. Si l'Acheteur accepte de bénéficier d'un Remboursement partiel, l'Acheteur devra considérer qu'il nous dégage de toute réclamation ou responsabilité quelle qu'elle soit en vertu de la présente Garantie limitée, ou en vertu de toute autre garantie ou condition expresse ou implicite applicable à l'égard de cet Appareil.

Toutes les pièces réparées ou tous les Appareils remplacés seront garantis pendant une période égale à la durée restante de la Garantie limitée initiale couvrant l'Appareil d'origine, ou pendant 90 jours, la période la plus longue prévalant.

## 3. CE QUE LA GARANTIE NE COUVRE PAS

Les recours disponibles dans le cadre de la présente Garantie limitée sont disponibles uniquement au sein du Canada.

La présente Garantie limitée ne couvre pas les défauts, dysfonctionnements, pannes ou dommages causés par ou résultant de l'une des causes suivantes :

(a) retrait, installation, réinstallation, maintenance ou entretien de l'Appareil n'ayant pas été autorisé(e) par nos soins ; (b) accident, incendie, inondation, coupure de courant, surtensions, tension de ligne/alimentation/intensité électrique incorrecte, utilisation de fusibles, câblages domestiques, disjoncteurs, connecteurs non fournis par nos soins, tension électrique ou électromécanique inhabituelle, cas de force majeure, catastrophes naturelles ; (c) utilisation inappropriée, utilisation abusive, négligence, manipulation inadéquate, application incorrecte, altération ou modification de l'Appareil ou de toute pièce de l'Appareil ; (d) utilisation de l'Appareil conjointement à des appareils, équipements, charges, pièces, fournitures, accessoires, applications, câblages externes, connecteurs ou équipements auxiliaires/périphériques non fournis ou autorisés par nos soins ; (e) utilisations pour lesquelles l'Appareil n'a pas été conçu.



---

En outre, la présente Garantie limitée ne couvre pas : (i) tout Appareil ou toute pièce dont le numéro de série a été effacé ou sur lequel/laquelle le numéro de série est devenu illisible. Le fait d'effacer le numéro de série sur un Appareil ou de le rendre illisible sur un Appareil annulera immédiatement la Garantie limitée pour ledit Appareil ; (ii) tout dommage quel qu'il soit qui survient pendant l'expédition de l'Appareil, une fois que l'Appareil a été accepté par l'Acheteur ; (iii) tout dommage quel qu'il soit résultant d'un manquement quel qu'il soit à suivre les instructions d'utilisation, de maintenance ou environnementales figurant dans le livret de consignes ou dans le manuel d'utilisation disponible en lien avec l'Appareil ; (iv) les frais de gestion pour le transport vers des îles ou des zones reculées, ce qui inclut, sans pour autant s'y limiter, les coûts de ferry, les frais de péage ou autres dépenses de transport ; (v) remplacement des fusibles ou boîtes à fusibles du domicile, ou réactivation de disjoncteurs ; (vi) accusation ou responsabilité vis-à-vis de dommages infligés sur les biens situés autour, notamment les meubles, sols, plafonds et autres structures ou objets ; (vii) coût des appels d'assistance visant à obtenir des instructions, la correction d'erreurs d'installation, des réglages à effectuer par le client alors qu'ils sont expliqués dans le manuel d'utilisation de l'Appareil, ou lorsque l'Appareil fonctionne bien conformément aux spécifications de l'Appareil. Il se peut que des frais de gestion soient facturés pour les appels d'assistance effectués pour des problèmes non couverts par la présente Garantie limitée ; (viii) cassure, décoloration ou dommage sur le verre, les surfaces métalliques, les composants en plastique, la garniture, la peinture ou d'autres finitions esthétiques, causés par une utilisation ou un entretien inapproprié(e), une utilisation abusive ou une négligence ; (ix) à l'exception des éléments précités, les pièces consommables, telles que les filtres et les ampoules, ne sont pas couvertes et relèvent donc de la responsabilité de l'Acheteur ; (x) utilisation à des fins commerciales, professionnelles ou locatives, ou pour toute autre application qu'une utilisation résidentielle par le consommateur ; (xi) variation de couleur due à des différences dans les pièces peintes, à l'éclairage de la cuisine, au positionnement de l'appareil et à d'autres facteurs.

Nous n'assurons et ne garantissons pas un fonctionnement continu ou sans erreur de l'Appareil.

# Garantie

## 4. QUELLES SONT LES LIMITATIONS APPLICABLES À UNE INTERVENTION À DOMICILE SOUS GARANTIE ?

L'intervention à domicile est soumise à disponibilité et n'est pas disponible dans toutes les régions du Canada. L'intervention à domicile ne sera assurée que si l'Appareil est dégagé et facilement accessible au niveau du sol pour le personnel d'intervention. Si la réparation ne peut pas être effectuée pendant l'intervention à domicile, ou si l'intervention à domicile n'est pas disponible dans votre région, il se peut qu'il vous soit demandé d'envoyer l'Appareil dans un centre de service Dacor agréé à des fins de réparation sous garantie. Le coût du transport de l'Appareil vers et depuis un centre de service Dacor agréé sera payé par l'Acheteur, à moins que nous ne décidions à notre discrétion de prendre en charge le coût du transport.

Pour bénéficier d'une intervention à domicile, l'Acheteur doit d'abord communiquer avec le Service client Dacor pour déterminer l'origine du problème et identifier les procédures de réparation. Toutes les réparations à domicile sous garantie doivent être effectuées par un centre de service Dacor agréé. Une preuve d'achat valide doit nous être présentée au moment où l'intervention est demandée et avant que les interventions sous garantie soient effectuées.

Lorsque l'intervention à domicile n'est pas disponible, l'Acheteur doit renvoyer l'Appareil dans un centre de service Dacor agréé à des fins d'analyse. Pour savoir où envoyer l'Appareil, communiquez avec notre Centre de service client. Le coût du transport de l'Appareil vers ou depuis le centre de service agréé doit être payé par l'Acheteur.

## 5. QUELLES SONT LES LIMITATIONS DE NOTRE RESPONSABILITÉ ?

SAUF TEL QU'EXPRESSÉMENT EXPOSÉ DANS LA PRÉSENTE GARANTIE LIMITÉE, NOTRE RESPONSABILITÉ EST SOUMISE AUX LIMITATIONS SUIVANTES :

(A) L'ACHETEUR ACCEPTE L'APPAREIL « EN L'ÉTAT » ET NOUS NE FAISONS AUCUNE GARANTIE OU ASSURANCE QUELLE QU'ELLE SOIT QUANT À L'APPAREIL.

(B) IL N'EXISTE AUCUNE CONDITION, EXPRESSE OU IMPLICITE, STATUTAIRE OU AUTRE, VIS-À-VIS DE L'APPAREIL.

(C) EN PARTICULIER, ET SANS LIMITER LA GÉNÉRALITÉ DES PARAGRAPHES (A) ET (B) PRÉCÉDENTS, NOUS NE FAISONS AUCUNE GARANTIE, CONDITION OU ASSURANCE QUANT AUX ÉLÉMENTS SUIVANTS :

(i) LA QUALITÉ MARCHANDE DE L'APPAREIL OU SON ADÉQUATION À UN OBJECTIF OU USAGE SPÉCIFIQUE ; (ii) LE TITRE OU LA CONTREFAÇON ; (iii) LA CONCEPTION, L'ÉTAT, LA QUALITÉ OU LES PERFORMANCES DE L'APPAREIL ; (iv) LA CONSTRUCTION DE L'APPAREIL OU DES COMPOSANTS QU'IL CONTIENT ; (v) LA CONFORMITÉ DE L'APPAREIL AUX EXIGENCES DE TOUTE LOI, RÈGLE, SPÉCIFICATION OU TOUT CONTRAT RELATIF À L'APPAREIL.

(D) PARMIS TOUT CE QUE CONTIENT UN MANUEL D'INSTRUCTIONS OU D'UTILISATION, RIEN NE DOIT ÊTRE CONSIDÉRÉ COMME CRÉANT UNE GARANTIE EXPRESSE DE QUELQUE NATURE QUE CE SOIT VIS-À-VIS DE L'APPAREIL.

---

LES CLAUSES PRÉSENTES DANS LES PARAGRAPHES (E) ET (F) CI-DESSOUS NE S'APPLIQUENT PAS DANS LES CIRCONSTANCES OÙ LA PRÉSENTE GARANTIE LIMITÉE EST RÉGIE PAR LES LOIS DE LA PROVINCE DU QUÉBEC.

(E) TOUTES LES GARANTIES ET CONDITIONS IMPLICITES POUVANT DÉCOULER DE L'APPLICATION DE LA LOI, NOTAMMENT TOUTE GARANTIE OU CONDITION IMPLICITE APPLICABLE QUANT À LA QUALITÉ MARCHANDE OU L'ADÉQUATION À UN USAGE PARTICULIER, SONT PAR LA PRÉSENTE LIMITÉES À LA MÊME DURÉE QUE LA PRÉSENTE GARANTIE LIMITÉE. CERTAINES PROVINCES INTERDISENT LES LIMITATIONS PORTANT SUR LA DURÉE D'UNE GARANTIE IMPLICITE ET LA LIMITATION DE DURÉE DE LA GARANTIE IMPLICITE NE S'APPLIQUERA PAS DANS LA MESURE OÙ LA LIMITATION EST INTERDITE PAR LA LOI EN VIGUEUR DANS LA PROVINCE.

(F) NOUS NE POURRONS ÊTRE TENUS POUR RESPONSABLES EN CAS DE DOMMAGES QUELS QU'ILS SOIENT (NOTAMMENT, MAIS SANS POUR AUTANT S'Y LIMITER, TOUT DOMMAGE ACCESSOIRE, PARTICULIER, INDIRECT OU SIMILAIRE) RÉSULTANT OU DÉCOULANT DIRECTEMENT OU INDIRECTEMENT DE L'UN DES ÉLÉMENTS SUIVANTS : (i) L'ACHAT, L'UTILISATION OU L'USAGE INAPPROPRIÉ DE L'APPAREIL ; (ii) TOUTE PERTE DE JOUISSANCE DE L'APPAREIL OU INCAPACITÉ À UTILISER L'APPAREIL ; (iii) TOUTE VIOLATION DE LA GARANTIE EXPRESSE ; (iv) TOUTE PERTE DE PROFITS OU BÉNÉFICES ANTICIPÉS ; (v) TOUTE PERTE D'ALIMENTS OU DE PRODUITS CONSOMMABLES ; (vi) TOUTE FAUTE (NOTAMMENT UNE NÉGLIGENCE OU GROSSIÈRE NÉGLIGENCE) OU ERREUR COMMISE PAR NOUS, NOS AGENTS OU EMPLOYÉS ; (vii) TOUTE VIOLATION DU CONTRAT ; (viii) TOUTE RÉCLAMATION FAITE À L'ENCONTRE DE L'ACHETEUR PAR TOUTE AUTRE PARTIE. CERTAINES PROVINCES INTERDISENT L'EXCLUSION OU LA RESTRICTION DES DOMMAGES ACCESSOIRES OU INDIRECTS ET L'EXCLUSION PRÉCITÉE DES DOMMAGES ACCESSOIRES OU INDIRECTS NE S'APPLIQUERA PAS DANS LA MESURE OÙ L'EXCLUSION EST INTERDITE PAR LA LOI EN VIGUEUR DANS LA PROVINCE.

(G) LA PRÉSENTE GARANTIE VOUS CONFÈRE DES DROITS LÉGAUX SPÉCIFIQUES ET VOUS POUVEZ ÉGALEMENT AVOIR D'AUTRES DROITS QUI VARIENT D'UNE PROVINCE À L'AUTRE. LA PRÉSENTE GARANTIE LIMITÉE STIPULE LE RECOURS EXCLUSIF DE L'ACHETEUR. SAUF LORSQUE TEL EST INTERDIT PAR LA LOI EN VIGUEUR DANS LA PROVINCE, LA PRÉSENTE GARANTIE LIMITÉE N'EST PAS CESSIBLE SANS AVOIR OBTENU NOTRE CONSENTEMENT EXPRESSE.

(H) SI UNE PARTIE DE LA PRÉSENTE GARANTIE LIMITÉE EST JUGÉE COMME ILLÉGALE OU NON APPLICABLE SELON UNE LOI QUELLE QU'ELLE SOIT, LADITE INAPPLICABILITÉ OU ILLÉGALITÉ PARTIELLE N'AFPECTERA PAS L'APPLICABILITÉ DU RESTE DE LA PRÉSENTE GARANTIE LIMITÉE.

Si l'Appareil est acheté auprès d'un revendeur ou distributeur non agréé ou acheté en dehors du Canada, la présente Garantie limitée ne s'applique pas, à l'exception des limitations précitées spécifiées dans les Sections 5(A) à 5(I) qui s'appliquent effectivement.

Émetteur de la garantie au Canada : Samsung Electronics Canada Inc., Mississauga, ON, L5N 0B9 Canada

# Garantie

---

EN DEHORS DES ÉTATS-UNIS ET DU CANADA :

## GARANTIE LIMITÉE À UN AN

Si votre appareil Dacor ne fonctionne pas durant la première année suivant la date originale d'achat en raison d'un défaut de matériel ou de fabrication, Dacor fournira une nouvelle pièce d'usine franco à bord pour remplacer la pièce défectueuse.

Toute livraison, installation, tout frais de main d'œuvre et autre frais de service sera à la charge de l'acheteur.

# Avis d'application de la réglementation

---

## Norme FCC

---

### MISE EN GARDE DE LA FCC :

Tout changement ou modification, non expressément approuvé par la partie responsable de la conformité, peut annuler l'autorisation de l'utilisateur à utiliser cet équipement.

Contient un module émetteur dont l'ID de la FCC est le suivant : A3LCWAP210M

Cet appareil est conforme aux exigences de la partie 15 du règlement de la FCC. Son utilisation est assujettie aux deux conditions suivantes :

- (1) Cet appareil ne doit pas provoquer d'interférences préjudiciables ; et
- (2) Il doit absorber tout type d'interférence, y compris les interférences pouvant causer un fonctionnement non désiré.

Pour les appareils proposés sur les marchés des États-Unis et du Canada, seuls les canaux 1 à 11 peuvent être utilisés.

Vous ne pouvez pas sélectionner d'autres canaux.

### DÉCLARATION DE LA FCC :

Cet appareil a été testé et classé conforme aux limites de la catégorie des appareils numériques de classe B conformément avec la partie 15 du règlement de la FCC. Ces limites sont conçues pour fournir une protection raisonnable contre les interférences préjudiciables dans une installation domestique.

Cet appareil génère, utilise et émet des fréquences radioélectriques et peut, en cas d'installation ou d'utilisation non conforme aux instructions, engendrer des interférences préjudiciables au niveau des communications radio. Cependant, il se peut que des interférences se produisent dans une installation particulière. En cas d'interférences avec la réception radiophonique ou télévisuelle, qui peuvent être vérifiées en mettant l'équipement hors puis sous tension, l'utilisateur peut tenter de résoudre le problème de l'une des façons suivantes :

- Réorienter ou repositionner l'antenne de réception
- Augmenter l'espacement entre l'équipement et le récepteur
- Brancher l'équipement à une prise se trouvant sur un circuit différent de celui auquel le récepteur est branché
- Consulter le fournisseur ou un technicien en radio et télévision expérimenté pour obtenir de l'aide

### DÉCLARATION DE LA FCC SUR L'EXPOSITION AUX IRRADIATIONS :

Cet équipement répond aux limites de la FCC sur l'exposition aux rayonnements établies pour un environnement non contrôlé.

Cet équipement doit être installé et utilisé à une distance minimale de 8 pouces (20 cm) entre le radiateur et votre corps. Cet appareil et ses antennes ne doivent pas être co-localisés ou fonctionner en conjonction avec toute autre antenne ou émetteur, sauf s'il/elle est conforme aux procédures relatives aux appareils à émetteurs multiples de la FCC.

# Avis d'application de la réglementation

---

## Norme IC

---

Contient un module émetteur dont l'ID d'IC est le suivant : 649E-CWAP210M

Le terme « IC » placé avant le numéro de certification pour les radiofréquences signifie seulement que les spécifications techniques d'Industry Canada ont été respectées. Son utilisation est assujettie aux deux conditions suivantes : (1) cet appareil ne doit pas provoquer d'interférences ; et (2) il doit absorber tout type d'interférence, y compris les interférences pouvant causer un fonctionnement non désiré.

Cet appareil numérique de classe B est conforme à la norme NMB-003 du Canada.

Cet appareil numérique de classe B est conforme à la norme NMB-003 du Canada.

Pour les appareils proposés sur les marchés des États-Unis et du Canada, seuls les canaux 1 à 11 peuvent être utilisés. Vous ne pouvez pas sélectionner d'autres canaux.

### **DÉCLARATION D'IC QUANT À L'EXPOSITION AUX RAYONNEMENTS :**

Cet équipement répond aux limites de la norme RSS-102 d'IC sur l'exposition aux rayonnements établies pour un environnement non contrôlé. Cet équipement doit être installé et utilisé à une distance minimale de 8 pouces (20 cm) entre le radiateur et votre corps. Cet appareil et ses antennes ne doivent pas être co-localisés ou fonctionner en conjonction avec toute autre antenne ou émetteur, sauf s'il/elle est conforme aux procédures relatives aux appareils à émetteurs multiples de la FCC.

CONSERVEZ CES INSTRUCTIONS

# Annonce de logiciel open source

---

Le logiciel inclus dans cet appareil contient un logiciel open source.

L'URL suivante [http://opensource.samsung.com/opensource/SMART\\_TP2\\_0/seq/0](http://opensource.samsung.com/opensource/SMART_TP2_0/seq/0) renvoie aux informations concernant la licence de logiciel open source relatives à cet appareil.





DA68-04023L-00

***dacor***<sup>®</sup>

---

