



## 52-INCH OUTDOOR GRILL

OB/S52 | HERITAGE COLLECTION



### AVAILABLE MODELS

- OB52/NG 52" Heritage Outdoor Grill, Natural Gas
- OB52/LP 52" Heritage Outdoor Grill, Liquid Propane
- OBS52/NG 52" Heritage Outdoor Grill with Sear Burner, Natural Gas
- OBS52/LP 52" Heritage Outdoor Grill with Sear Burner, Liquid Propane

### FEATURES & BENEFITS

- Powerful burner performance with total of 73,000 BTU of power
- Infrared ceramic rotisserie burner
- Easy to clean removable grease tray
- Built-in halogen lights
- Perma-Flame re-ignition
- Removable rotisserie motor and fork set
- V-shaped heat spreader
- Removable smoker tray
- Easy to clean porcelain grates

### GENERAL PROPERTIES

BURNER CONFIGURATION	OB36 - (3) 20,000 BTU U-BURNERS,(1) 13,000 BTU IR ROTISSERIE BURNER, (2) 18,000 BTU SIDE BURNERS  OBS36 - (2) 20,000 BTU U-BURNERS,(1) 20,000 BTU IR SEAR BURNER, (1) 13,000 BTU IR ROTISSERIE BURNER, (2) 18,000 BTU SIDE BURNERS
HEAT SPREADER	V-SHAPED
GRATE	PORCELAIN
LIGHTING	HALOGEN
SMOKER TRAY	YES, REMOVABLE
GREASE TRAY	YES, REMOVABLE
CONTROL	ILLUMINA KNOBS

### TECHNICAL DETAILS

CIRCUIT BREAKER (A)	15 AMP
VOLTS (V)	120 V
ENERGY SOURCE	GAS
GAS TYPES	NATURAL GAS, LIQUID PROPANE

### DIMENSIONS & WEIGHT

APPLIANCE DIMENSIONS (H X W X D) (IN.)	25 1/8" X 52" X 27"
REQUIRED CUTOUT SIZE (H X W X D) (IN.)	9" MAX X 52 1/2" X 25"

### WARRANTY

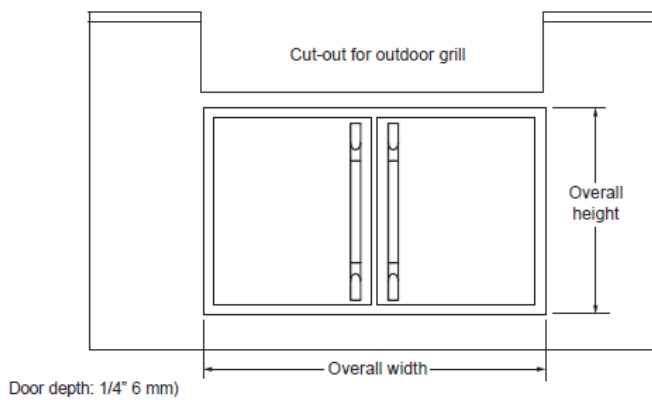
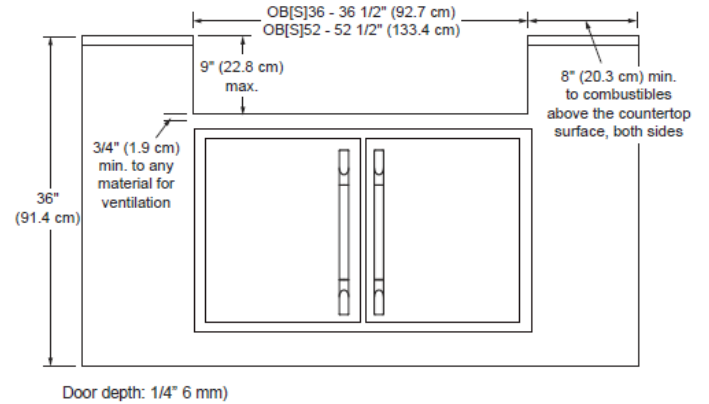
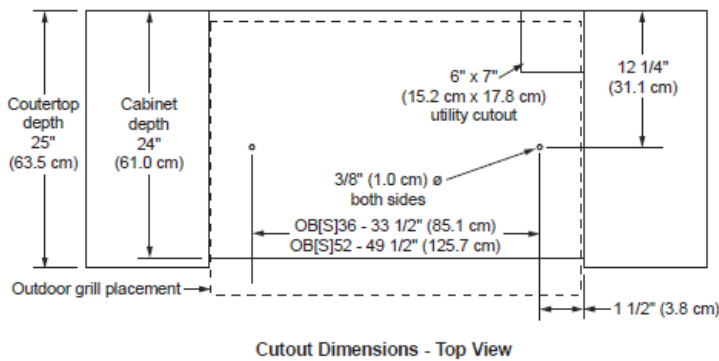
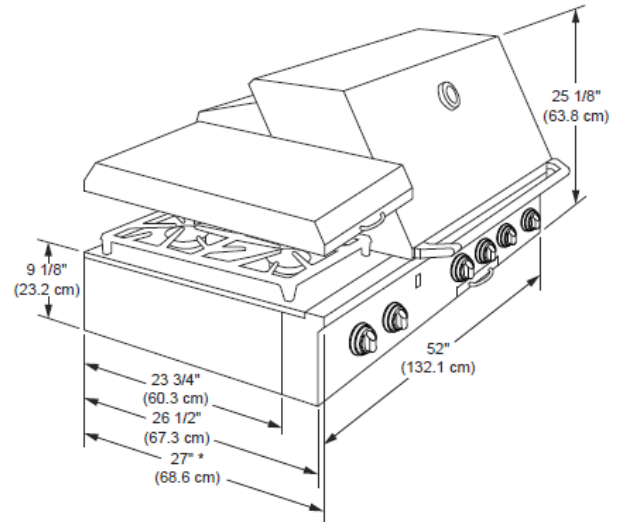
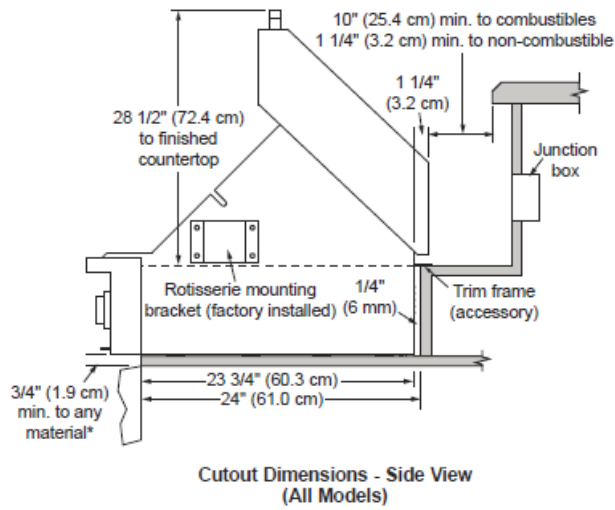
LIMITED, PARTS AND LABOR	1 YEAR
--------------------------	--------

### ACCESSORIES

OBAD20	20" ACCESS DOOR EPICURE HANDLE
OBAD36	30" ACCESS DOOR EPICURE HANDLE
OBT52	CUT OUT TRIM

# dacor 52-INCH OUTDOOR GRILL

Product tolerances: ±1/16 (±1.6 mm) unless otherwise specified



Model Number	Overall Width	Overall Height	Cutout Width	Cutout Height	Cutout Depth
OBAD20 (Single door)	19 1/2" (49.5 cm)	21" (53.3 cm)	16 3/4" (42.5 cm)	18 3/4" (47.6 cm)	3" (7.6 cm)
OBAD36 (Dual door)	35 7/8" (91.1 cm)	21" (53.3 cm)	33 1/8" (84.1 cm)	18 3/4" (47.6 cm)	3" (7.6 cm)