

**dacor**

LET THE SHOW BEGIN

## Installation Instructions

### Heritage Outdoor Grill

OB36, OB52, OBS36, OBS52

**TESTED IN ACCORDANCE WITH THE LATEST EDITION OF  
ANSI Z21.58 2012 • CSA 1.6-2012 STANDARD FOR OUTDOOR  
COOKING GAS APPLIANCES. IN CANADA: INSTALLATIONS MUST  
BE IN ACCORDANCE WITH THE CURRENT CAN/CG A-B149.1.  
NATURAL GAS INSTALLATION CODE CAN/CG A-B149.2. PROPANE  
INSTALLATION CODE AND/OR LOCAL CODE.**

# Table of Contents

<b>Important Safety Instructions</b> .....	<b>1</b>	<b>Installation Instructions</b> .....	<b>10</b>
Important Information About Safety Instructions .....	1	Preparing for Installation .....	10
General Safety Precautions .....	2	Cabinet Installation .....	12
<b>Planning the Installation</b> .....	<b>4</b>	Cart Installation - OB[S]36 Only .....	12
Product Dimensions .....	4	Connecting the Gas .....	14
Location Planning - General .....	5	Final Assembly and Test .....	15
Location Planning - Enclosed Cabinets .....	6	Verifying Proper Operation .....	17
Location Planning - Cart Installations .....	9	<b>Wiring Diagrams</b> .....	<b>18</b>
		<b>Notes</b> .....	<b>20</b>

## Before You Begin...

### Important:

- **Installer:** In the interest of safety and to minimize problems, read these installation instructions completely and care-fully before you begin the installation process. Leave these installation instructions with the customer.
- **Customer:** Keep this manual for personal and professional reference.

## Customer Service Information

### If You Need Help...

For installation issues, contact Dacor Customer Assurance. When you call, have available the unit's model and serial numbers, which are on the product data label on the back of the unit. The product data label also specifies the power-supply requirements.

#### Dacor Customer Assurance

Phone: 833-35-ELITE (833-353-5483) USA, Canada)

Mon – Fri 5:00 A.M. to 5:00 P.M. Pacific Time

Website: [www.dacor.com/customer-care/contact-us](http://www.dacor.com/customer-care/contact-us)

### Model Identification

OB36	36" wide, no side burner, 3 U-shaped burners in main compartment
OBS36	36" wide, no side burner, 2 U-shaped burners; 1 sear burner in main compartment
OB52	52" wide with side burner, 3 U-shaped burners in main compartment
OBS52	52" wide with side burner, 2 U-shaped burners; 1 sear burner in main compartment

Model numbers with "NG" are equipped (only) for use with natural gas. Model numbers with "LP" are equipped (only) for use with liquid petroleum (propane).

### CALIFORNIA PROPOSITION 65 WARNING

The burning of gas cooking fuel generates some by-products that are on the list of substances which are known by the State of California to cause cancer or reproductive harm. California law requires businesses to warn customers of potential exposure to such substances. To minimize exposure to these substances, always operate this unit according to the use and care manual, ensuring you provide good ventilation when cooking with gas.

All specifications subject to change without notice. Dacor assumes no liability for changes to specifications.

# Important Safety Instructions

## Important Information About Safety Instructions

- The **Important Safety Instructions** and warnings in these instructions are not meant to cover all possible problems and conditions that can occur. Use common sense and caution when installing, maintaining or operating this or any other appliance.
- Always contact Dacor Customer Assurance about issues you cannot resolve.

## Safety Symbols and Labels

### **DANGER**

Immediate hazards that **WILL** result in severe personal injury or death.

### **WARNING**

Hazards or unsafe practices that **COULD** result in severe personal injury or death.

### **CAUTION**

Hazards or unsafe practices that **COULD** result in minor personal injury or property damage.

### **DANGER**

#### If you smell gas:

1. **Shut off gas to the appliance.**
2. **Extinguish any open flame.**
3. **Open lid.**
4. **If odor continues, keep away from the appliance and immediately call your gas supplier or your fire department.**

### **WARNING**

1. **Do not store or use gasoline or other flammable liquids or vapors in the vicinity of this or any appliance.**
2. **An LP cylinder not connected for use shall not be stored in the vicinity of this or any other appliance.**

### **WARNING**

If the information in this manual is not followed exactly, a fire or explosion may result causing property damage, personal injury or death.

### **WARNING**

NEVER use this appliance as a space heater to heat or warm the room. Doing so may result in carbon monoxide poisoning and overheating of the appliance.

### **WARNING**

This outdoor cooking appliance is not intended to be installed in or on a recreational vehicle and/or boats.

### **WARNING**

Use this outdoor gas cooking appliance outdoors only. Do not use it in a building, garage or any other enclosed area.

**READ AND SAVE THESE INSTRUCTIONS**

# Important Safety Instructions

## General Safety Precautions

To reduce the risk of fire, electric shock, serious injury or death when using your appliance, follow basic safety precautions, including the following:

### **WARNING**

- Read the use and care manual completely before using this appliance.
- Use this appliance only for its intended use as described in the use and care manual. Use it only to cook food. It is not designed for commercial, industrial or laboratory use.
- If you receive a damaged product, immediately contact your dealer or builder. Do not install or operate an appliance that has been damaged or dropped.
- This appliance must be properly installed and grounded by a qualified installer according to these installation instructions. Have the installer show you the location of the gas shut-off valve and the electrical outlet so that you know where and how to turn off the gas supply and disconnect power to the appliance.
- Do not repair or replace any part of this appliance unless specifically recommended in the literature accompanying it. All other service should be done by a qualified service technician. Contact the Dacor Customer Service Team at (800) 793-0093, or at [www.dacor.com](http://www.dacor.com) for examination, repair or adjustment.
- Do not install this appliance with surface (downdraft) ventilation systems.
- Do not install this appliance under unprotected overhead combustible materials.
- Excessive weight warning: Use two or more people to move and install this product.
- Do not install the grill in a laminate, or synthetic, solid surface countertop material.
- Sheet metal edges can be dangerous in heavy lifting situations. Wear gloves during installation.
- Keep the electrical cords away and gas supply lines from heated surfaces.
- Before performing any type of service, make sure that the gas shut-off valve is closed (turned off) and the power plug is disconnected.
- Failure to provide proper clearances as noted in these installation instructions may result in a fire hazard.
- **DO NOT TOUCH ANY OF THE COOKING SURFACES DURING OR IMMEDIATELY AFTER USE.** After use, make sure these surfaces have had sufficient time to cool before touching them.

### **WARNING**

- To avoid the possibility of fire, do not leave the appliance unattended when in use.
- To avoid the possibility of fire or burns, do not allow clothing, potholders, towels or rags to come into contact with hot surfaces during and immediately after use.
- Do not use towels or bulky cloth as pot holders.
- Do not wear loose or hanging apparel while using this appliance. Do not allow clothing to come into contact with the cooking surface.
- Inspect the gas hose and regulator assemblies before each use of this appliance.
- Keep items that could explode, such as aerosol cans away from the grill and burners. Do not store flammable or explosive materials in adjacent cabinets or areas.
- Exercise caution when opening the canopy. Let hot air or steam escape before looking or reaching inside.
- Do not use abrasives, caustic cleaners or detergents to clean this appliance. They may cause permanent damage to surfaces. Do not use aerosol cleaners. They may be flammable or cause corrosion of metal parts.
- Turn the knobs to the **OFF** position prior to removing them from the valve stems.
- Do not operate the appliance without the knobs and trim rings in place.
- Do not expose the knobs or trim rings to direct flame, hot utensils or other sources of heat.
- Clean the appliance thoroughly before operating it for the first time.
- **NEVER** cover any slots, holes or passages on the outdoor grill or its chassis. Doing so blocks air flow and may cause carbon monoxide poisoning. Aluminum foil linings may also trap heat, causing a fire hazard. Keep all slots, holes and passages clear of grease and grime.
- In the event of a power failure, use only the Dacor supplied match light tool or a long stemmed match to light.
- Make sure this appliance is used only by those individuals who are able to operate it properly.
- Never allow anyone, including children to sit, stand or climb on any part of the appliance. Doing so may cause tipping, damage, serious injury or death.

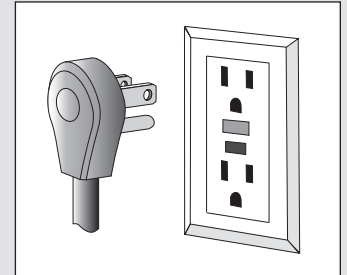
# Important Safety Instructions

## WARNING

- Do not leave children alone or unattended in the area around the appliance. Do not allow children to operate it, play with the controls, pull on the handle or touch other parts.
- Do not store items of interest to children on top of or above the appliance. Children could be burned or injured while climbing on it.
- Keep the ventilation openings for the LP cylinder free and clear from debris.
- Non-stick coatings, when heated, can be harmful to birds. Remove birds to a separate, well-ventilated area during cooking.
- Make sure that all of the appliance's parts are dry before lighting a burner. Do not cover the burners and grates with anything except properly selected utensils. Decorative covers may cause a fire hazard or damage to the unit if a burner is accidentally burned on with the cover in place.
- Keep flammable items, such as paper, cardboard, plastic, and cloth away from the burners and other hot surfaces. Do not allow pot holders to touch hot surfaces or gas burners.
- Do not hang flammable or heat sensitive objects over or in close proximity to the appliance.
- Do not use the appliance for storage.
- Make sure that all the burner parts are dry before lighting a side burner.
- Do not allow food to sit for more than one hour before or after cooking. Eating spoiled food can result in food poisoning.
- Do not line the appliance with aluminum foil or other materials. These items can melt or burn up during cooking.
- Do not leave the canopy open when the outdoor grill is not in use to prevent an accumulation of water/moisture inside. If water accumulates in the grill compartment the unit should not be used and a service technician should be called to clean the inside of the compartment.
- If the appliance is left out in the rain (with the canopy shut), wait 30 minutes after the rain storm before using it.

## WARNING

- **IMPORTANT:** This appliance is equipped with a three-prong grounding electrical plug for protection against possible electric shock hazards. It must be plugged into a dedicated, grounded electrical outlet that meets local codes for outdoor appliances. If only a two-prong electrical outlet is available, it is the responsibility of the customer to have it replaced with a dedicated, properly grounded three-prong electrical outlet. Do not under any circumstances:
  - ◇ Cut or remove the third (ground) prong from the power cord.
  - ◇ Use an adapter plug.
  - ◇ Use a power cord that is frayed or damaged.
- If using an extension cord, use only a grounded cord approved for use outdoors. Use a cord that is as short as possible. Avoid routing it through wet areas.



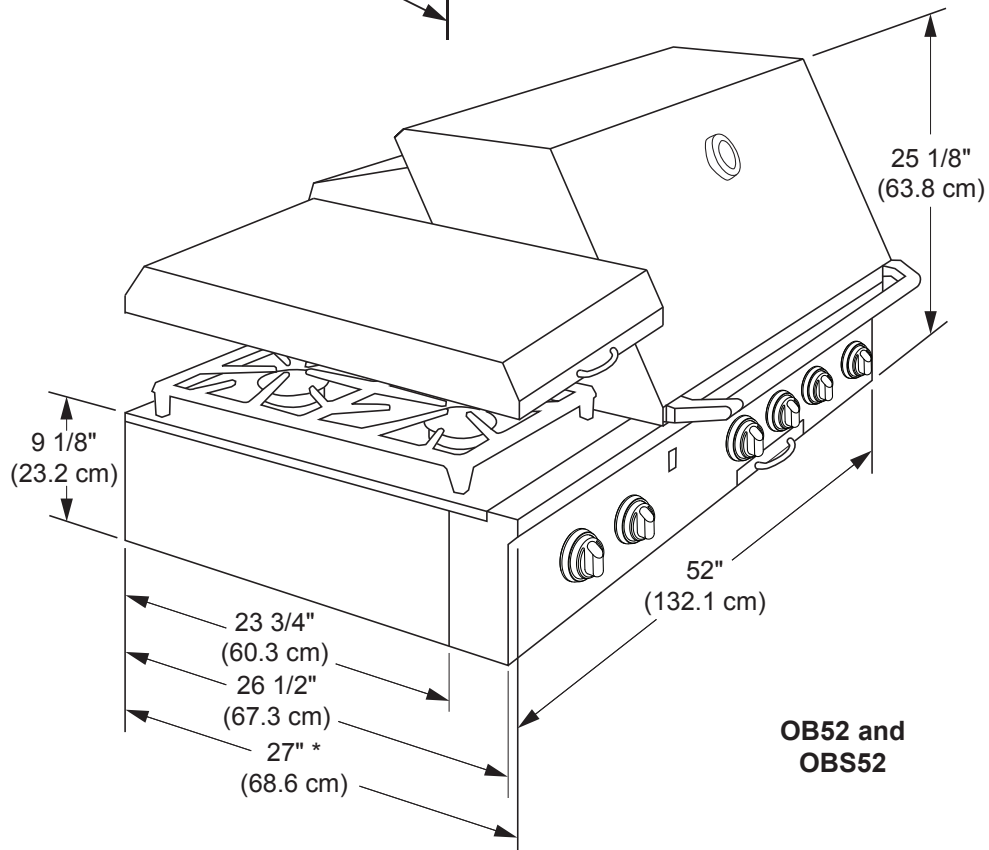
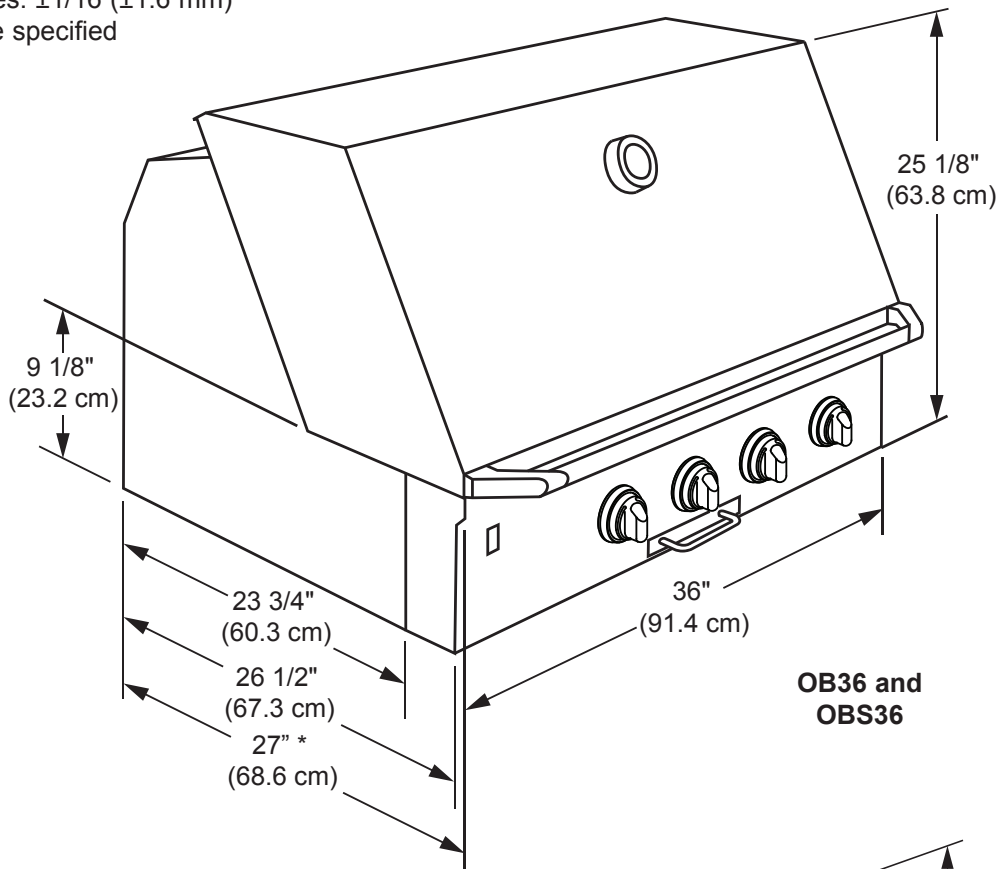
### TO REDUCE THE RISK OF INJURY TO PERSONS IN THE EVENT OF A GREASE FIRE:

- **SMOTHER FLAMES** with a close-fitting lid, cookie sheet or metal tray, then turn off the burner. **BE CAREFUL TO PREVENT BURNS.** If the flames do not go out immediately, **EVACUATE AND CALL THE FIRE DEPARTMENT.**
- **NEVER PICK UP A FLAMING PAN** - you may be burned.
- **DO NOT USE WATER**, including wet dish cloths or towels - a violent steam explosion may result.
- Use a fire extinguisher **ONLY** if:
  - a. You have a Class ABC extinguisher, and you already know how to operate it.
  - b. The fire is small and contained in the area where it started.
  - c. The fire department is being called.
  - d. You can fight the fire with your back to an exit.

# Planning the Installation

## Product Dimensions

Product tolerances:  $\pm 1/16$  ( $\pm 1.6$  mm)  
unless otherwise specified



\* Total depth from back to front of handles is 30" (76.2 cm)

# Planning the Installation

## **WARNING**

- This installation must conform to local codes or, in the absence of local codes, with either the National Fuel Gas Code, ANSI Z223.1/NFPA 54, Natural Gas and Propane Installation Code, CSA B149.1, or Propane Storage and Handling Code, B149.2.
- Prevent grill combustion products from being drawn into a building through fresh air inlets: The venting system of other than a direct-vent appliance must terminate at least 4 feet (1.2 m) below, 4 feet (1.2 m) horizontally from, or 1 foot (30.5 cm) above any door, window or gravity air inlet into any building. The bottom of the vent terminal must be located at least 12 inches (30.5 cm) above grade.
- A MINIMUM clearance of 10 inches (25.4 cm) must be maintained, above the countertop material, from all combustible vertical materials on the sides and behind the outdoor grill chassis and canopy.
- A MINIMUM clearance of 1 1/4 inches (3.2 cm) must be maintained, above the countertop material, from all non-combustible vertical materials on the sides and behind the outdoor grill chassis and canopy.
- A MINIMUM clearance of 1/4 inch (6 mm) must be maintained, inside the base enclosure below the countertop material, from all vertical surfaces on the sides of the appliance.
- A MINIMUM clearance of 3/4 inch (1.9 cm) must be maintained, from the bottom of the control panel to any material for ventilation purposes. Failure to do so will block air flow through the outdoor grill and may cause carbon monoxide poisoning or improper operation.
- The back edge of the grill must maintain a minimum clearance (10 inches/25.4 cm) from combustible back splash materials. Special cabinet and countertop dimensions are required.
- The electrical outlet and gas service must be installed only by a qualified, licensed professionals.
- The maximum gas supply pressure to the regulator must not exceed 1/2 pound per square inch.
- Use only the factory supplied gas regulator or a Dacor approved replacement.
- For fixed piping NG and LP systems, do not use aluminum piping or tubing.
- For fixed pipe LP systems, do not use flexible or semi-rigid gas lines to make gas connections.

## Location Planning - General

### Gas and Electric Power Requirements

- Prior to installation, the gas supply for natural gas or whole house LP installations must meet the specifications below.
- For natural gas or fixed piping LP installations, have a qualified plumber or gas fitter install a 3/4 inch (1.9 cm) or 1/2 inch (1.3 cm) gas supply line with a shut-off valve (not included). Have it installed in an accessible location that allows it to be shut off when the appliance is installed.

Gas-Supply Requirements		
Model Type	Manifold Pressure	Minimum Gas Supply Pressure
Natural Gas	4" Water Column	5" Water Column
LP Gas	11" Water Column	12" Water Column

- The correct voltage, frequency and amperage must be supplied to the appliance from an isolated, grounded circuit which is protected by a properly sized circuit breaker or time-delay fuse. The required voltage, frequency, and amperage ratings are listed on the product data plate and are also below.

Electrical Requirements	
Circuit Requirement	120 Vac, 15 Amp.
Total Connected Load	2.9 Amps, (0.35 kW)

- It is the owner's responsibility to ensure that the electrical connection to this appliance is installed by a qualified electrician. The electrical installation, including minimum supply wire size and grounding, must be done in accordance with National Electric Code ANSI/NFPA 70, (or the latest revision) or Canadian Electrical Code CSA C22.1, and local codes and ordinances for connection of an outdoor appliance.
- Locate the electrical outlet within reach of the 48 inch (121.9 cm) long power cord so that it will reach when the grill is completely installed in the enclosure.
- Total connected loads shown include the ignition system, interior lights and rotisserie motor.
- The rotisserie motor should be plugged into the same grounded outlet power source or an alternate 120 Vac duplex outlet located on the same circuit as the grill.



# Planning the Installation

## Location Planning - Enclosed Cabinets

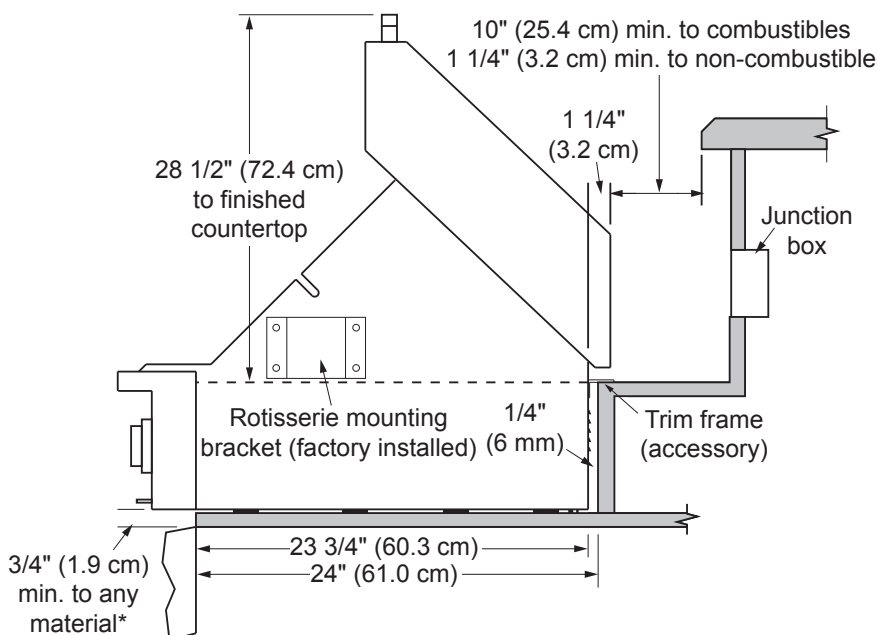
- Maintain all minimum clearances specified below and on the facing page.
- For proper outdoor grill operation, provide a flat, level mounting surface with minimum 3/4" (1.9 cm) thickness.
- All models are designed to allow installation in combustible or non-combustible base material structures.
- On installations without a LP cylinder tank located below the unit, plan the installation so that the gas shut-off valve and pressure regulator are accessible after the appliance is installed so that gas and power can be turned off if service is required. Also, make sure the electric plug can be disconnected easily during service.

## Optional Finish Trim Kits

The optional finish trim can be installed on the countertop to finish the sides and back of the countertop opening. The stainless steel finish trim can be caulked to the countertop and should be secured to the base enclosure with flat head screws. Center the trim within the cutout dimensions noted in this manual, then utilizing the deck screws along with the holes located along the vertical sides of the finish trim, install them securely to the base enclosure countertop sub-structure.

## Enclosed Cabinet Installations with a LP Cylinder

- When using a LP-gas cylinder, it must be completely enclosed. It must also be ventilated by openings on the sides, back and floor of the enclosure. Each opening must have a total area of no less than 10 square inches (25.4 square cm).
- Plan to install the grill in a base structure that has one of the following structural details:
  - ◇ The LP cylinder shut-off valve shall be readily accessible for hand operation. A door on the enclosure to gain access to the valve is acceptable, provided it is non-locking and can be opened without the use of tools.
  - ◇ The enclosure for the LP-gas cylinder shall isolate the cylinder from the burner compartment to provide shielding from radiation, a flame barrier and protection from foreign materials such as hot drippings.
  - ◇ There shall be a minimum clearance of 2 inches (51 cm) between the floor of the LP-gas cylinder enclosure and the ground. The design of the outdoor cooking enclosure must allow the LP-gas cylinder to be connected, disconnected and the connections inspected and tested outside the cylinder enclosure.
- Connections which may be disturbed when installing the cylinder in the enclosure can be leak tested inside the enclosure.
- Internal mounting means shall be provided on the outdoor gas grill for mounting the LP-gas supply cylinder. If the outdoor grill is not in use, the gas must be turned off at the supply cylinder.

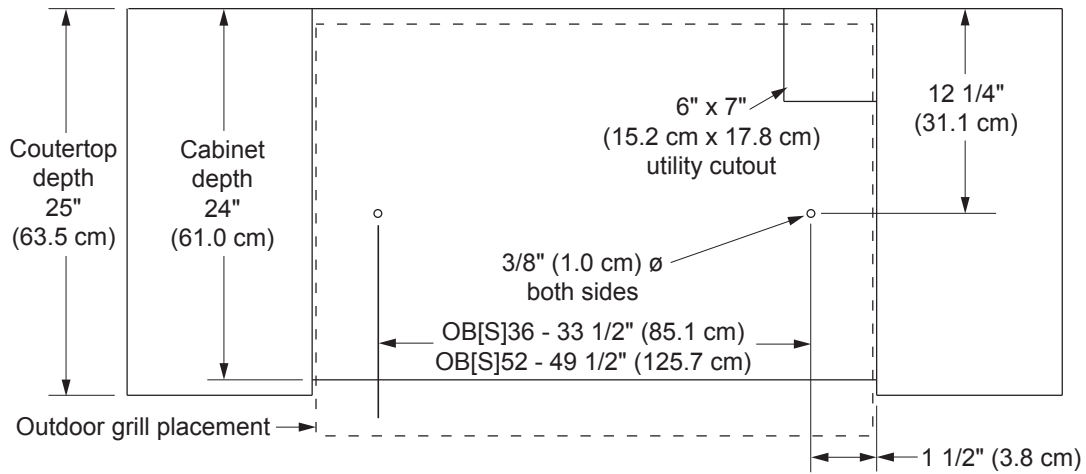


**Cutout Dimensions - Side View  
(All Models)**

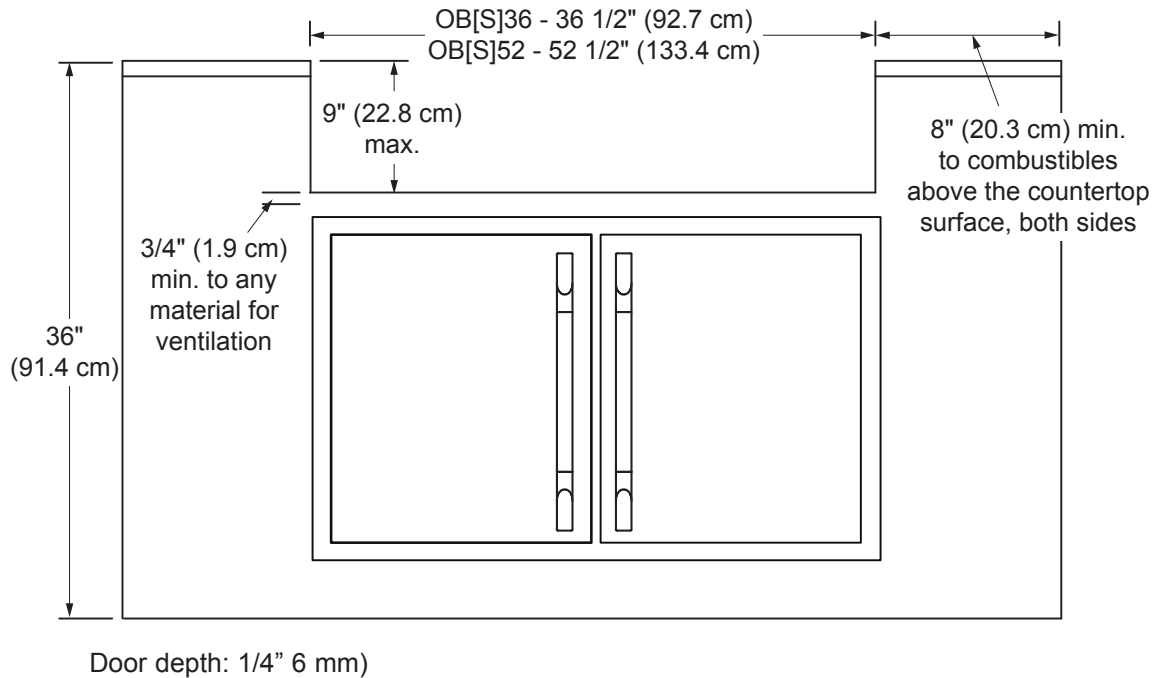


# Planning the Installation

Cutout tolerances:  $\pm 1/16$  ( $\pm 1.6$  mm),  
unless other wise specified



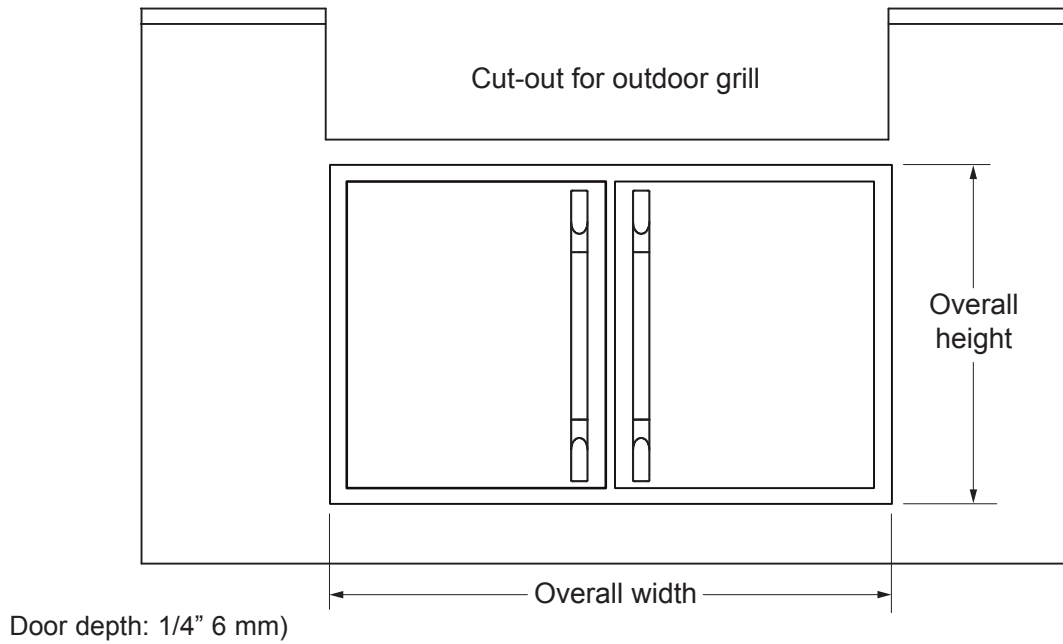
**Cutout Dimensions - Top View**



**Cutout Dimensions - Front View**  
OBAD36 Accessory doors shown

# Planning the Installation

## Location Planning - Enclosed Cabinets (continued)



**OBAD Series Accessory Doors  
(OBAD36 shown)**

Model Number	Overall Width	Overall Height	Cutout Width	Cutout Height	Cutout Depth
OBAD20 (Single door)	19 1/2" (49.5 cm)	21" (53.3 cm)	16 3/4" (42.5 cm)	18 3/4" (47.6 cm)	3" (7.6 cm)
OBAD36 (Dual door)	35 7/8" (91.1 cm)	21" (53.3 cm)	33 1/8" (84.1 cm)	18 3/4" (47.6 cm)	3" (7.6 cm)

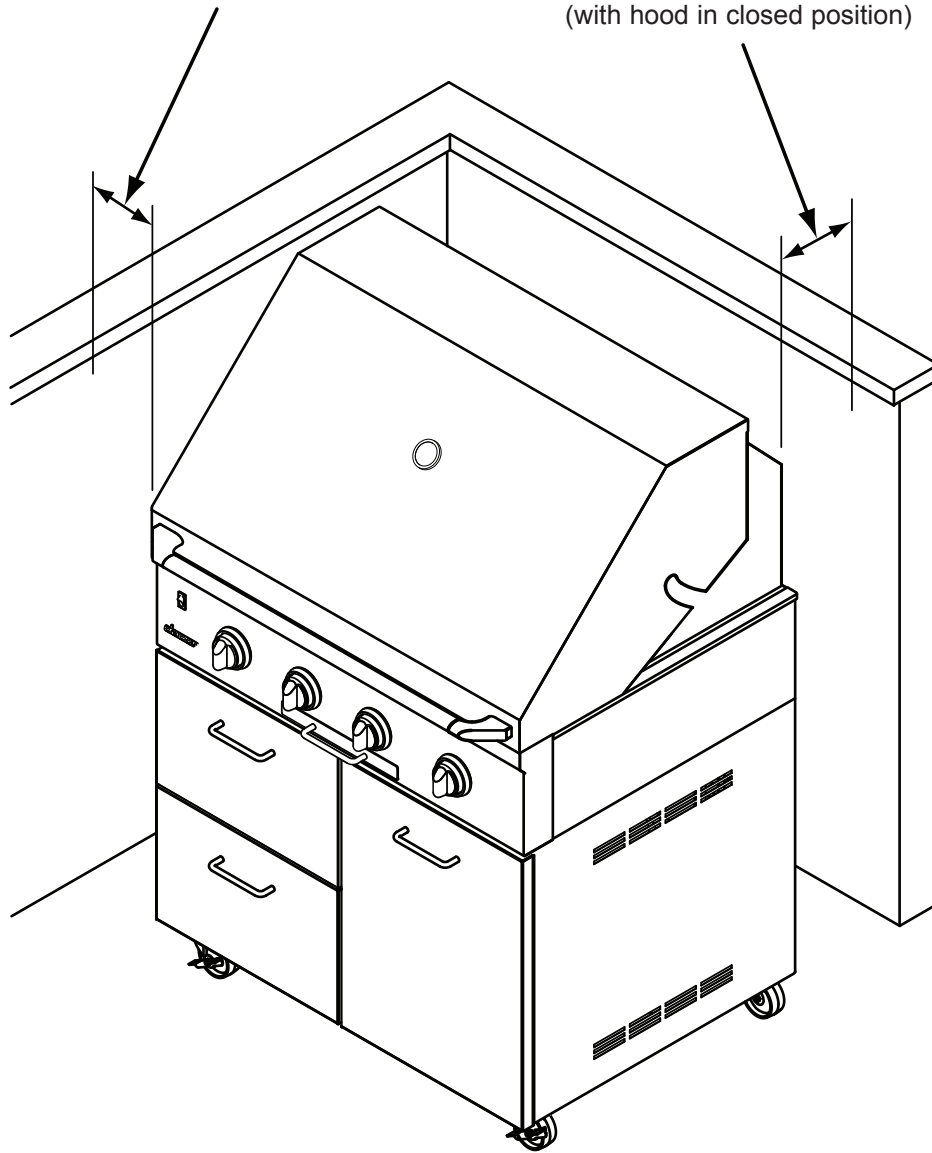
# Planning the Installation

## Location Planning - Cart Installations

- Maintain all minimum clearances shown between the appliance and all surfaces behind and to the side of the appliance.
- Allow 26 inches minimum in front to open and close the cabinet drawers.
- For proper grill and drawer operation, use the outdoor grill and cart only on a level surface.
- Side distances exclude optional shelves.

Above the cooking surface, both sides:  
1 1/4" (3.2 cm) min. to non-combustibles  
10" (25.4 cm) min. to combustibles

Above the cooking surface, behind unit:  
2 1/2" (6.4 cm) min. to non-combustibles  
11 1/4" (28.6 cm) min. to combustibles  
(with hood in closed position)



Example of Grill Cart Location

# Installation Instructions

## **WARNING**

- Before installing the appliance, make sure the electrical and gas (on tank-less installations) service meets the requirements specified in the **Planning the Installation** section of this manual.
- This appliance must be installed by a licensed plumber or gas fitter when installed within the Commonwealth of Massachusetts.
- Excessive weight warning: Since the appliance and grill cart are heavy, install the appliance with the help of at least one other person.
- Make sure the power cord is NOT connected to the electrical outlet while connecting the gas line to the appliance.
- Do not apply excessive pressure when tightening connections and fittings.
- Do not use plumber's putty or Teflon tape on gas compression connections. Doing so can defeat the proper sealing of these fittings.
- Use only approved gas line thread compound or tape to seal gas connections.
- The maximum gas supply pressure to the regulator must not exceed 1/2 pound per square inch.

## Parts List

### All models:

- A** Drip tray -
- B** Smoker box
- C** Warming rack
- D** Regulator assembly
- E** Grills (2 large, 2 small)
- F** Flame spreaders (2 large, 1 small)
- G** Rotisserie rod and forks
- H** Rotisserie motor

Cleaning cream (PN A302)

### Models OB52, OBS52 only:

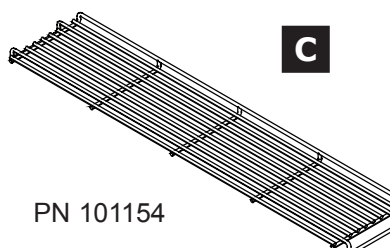
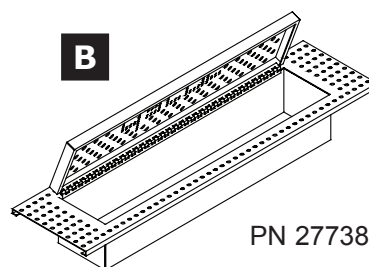
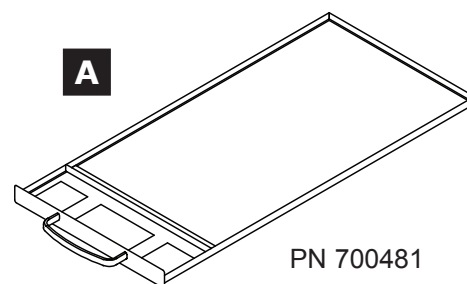
- L** Side burner cover
- K** Side burner grate
- M** Side burner caps (2)
- N** Side burner heads (2)

### LP Models equipped for use with an LP cylinder:

- P** 3/4" coupling
- Q** 3/4" nipple

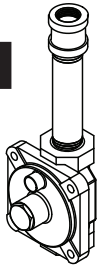
## Preparing for Installation

1. Before removing the unit from the box, check the labeling on the box to make sure that the appliance is equipped for the gas type to be used. Liquid petroleum (propane) units are identified by the "LP" designation at the end of the model number. Do not proceed with installation if you do not have the correct model. Conversion in the field from one gas type to another is not permissible.
2. With the help of an assistant, remove the appliance and all the parts from the box. Check to make sure all parts are included.
3. Remove all shipping materials from the appliance and peel off the protective plastic coating.
4. To reduce weight during installation, make sure all loose parts are removed from the grill.



# Installation Instructions

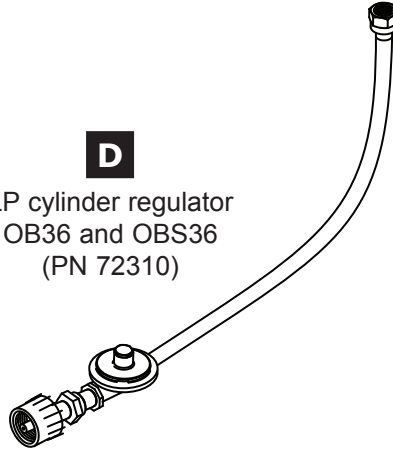
**D**



Fixed piping natural gas or LP regulator\*

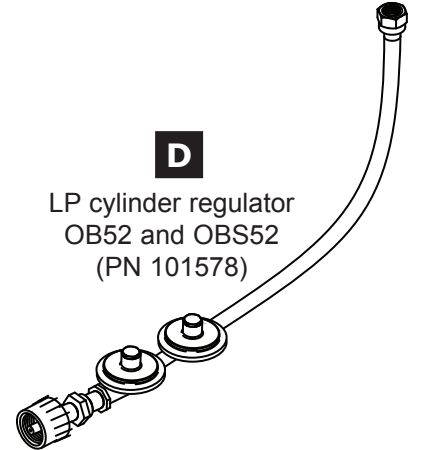
**D**

LP cylinder regulator  
OB36 and OBS36  
(PN 72310)



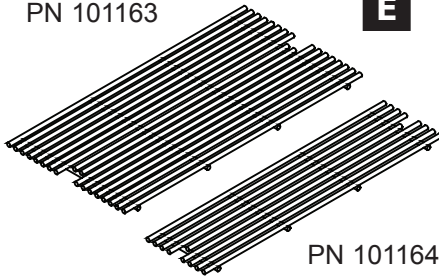
**D**

LP cylinder regulator  
OB52 and OBS52  
(PN 101578)



PN 101163

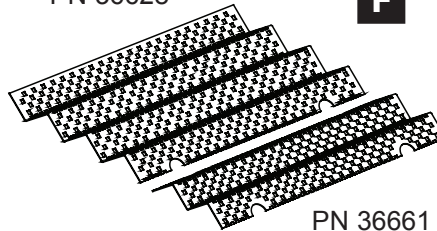
**E**



PN 101164

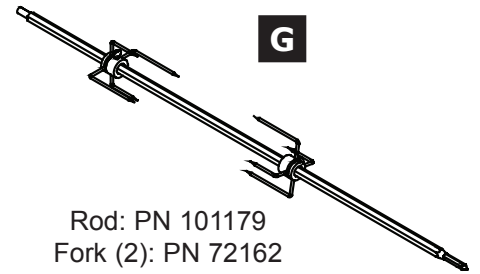
PN 36628

**F**



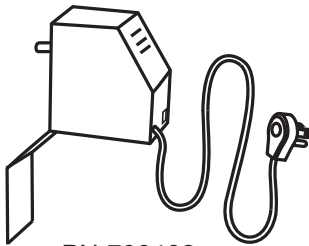
PN 36661

**G**



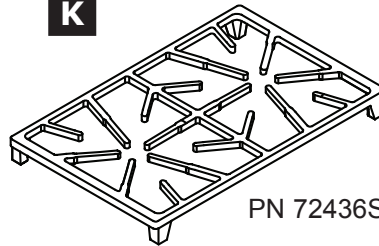
Rod: PN 101179  
Fork (2): PN 72162

**H**



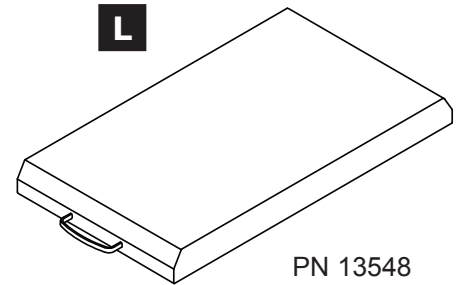
PN 700482

**K**



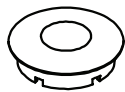
PN 72436SB

**L**



PN 13548

**M**



PN 72231

**P**



PN 700614

**N**



PN 72232

**Q**



PN 72801

\* A regulator for use with fixed pipe natural gas installations comes standard with natural gas models (Dacor PN 700597NG). For fixed pipe LP installations, replace the standard LP tank regulator and hose that come with LP models with a fixed pipe LP regulator (Dacor PN 700597LP). The fixed pipe LP regulator must be ordered separately.

# Installation Instructions

## Cabinet Installation

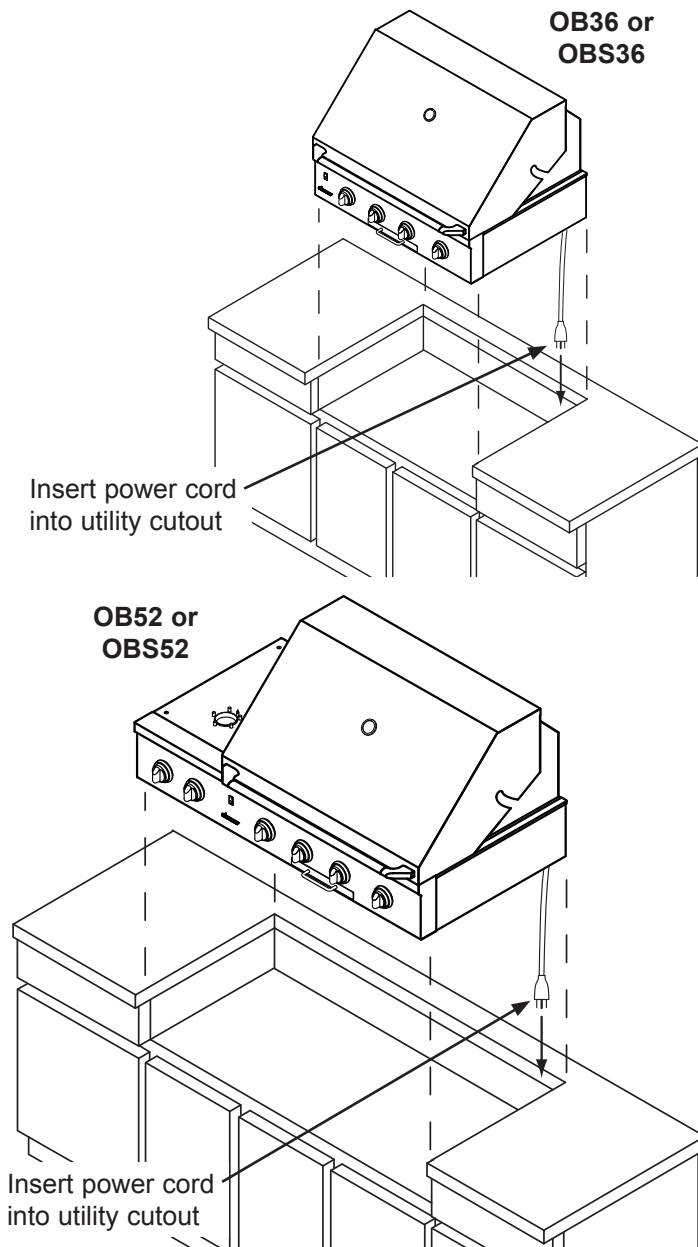
### WARNING

To avoid an explosion hazard, do not connect the cart or appliance(s) to electrical power until after the gas supply system has been checked for leaks.

### IMPORTANT

To prevent damage to the gas regulator, install the regulator only after the appliance is mounted in its permanent position in the enclosure.

- With at least one person on each side of the unit, lift it up and lower it into the cabinet cutout. As you lower it into the cutout slide the electrical cord into the utility cutout.



## Cart Installation - OB[S]36 Only

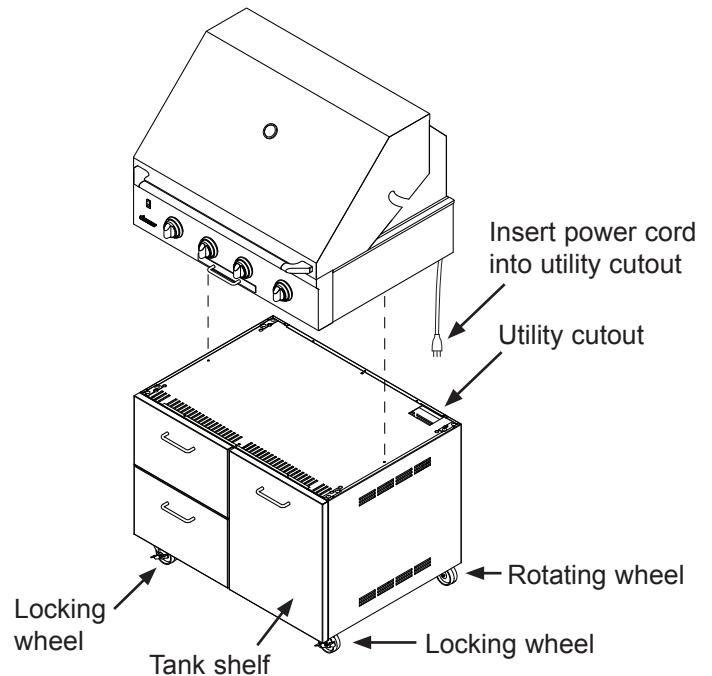
### WARNING

- Attach the appliance to the cart with all of the supplied bolts before use.
- All gas and electrical connections should be made after the grill is installed and bolted to the cart.
- To avoid an explosion hazard, do not connect the cart or appliance(s) to electrical power until after the gas supply system has been checked for leaks.

### IMPORTANT

To prevent damage to the gas regulator, install the regulator only after the appliance is mounted in its permanent position on the cart.

1. Remove the cart from the shipping pallet before installation. The Dacor cart ships assembled ready for installation of the outdoor grill. Set the cart in an open location and lock the wheels on the cart to minimize movement.
2. Remove the drawers.
3. With at least one person on each side, lift the appliance up and lower it onto the cart. As you lower it onto the cart slide the electrical cord into the utility cutout.



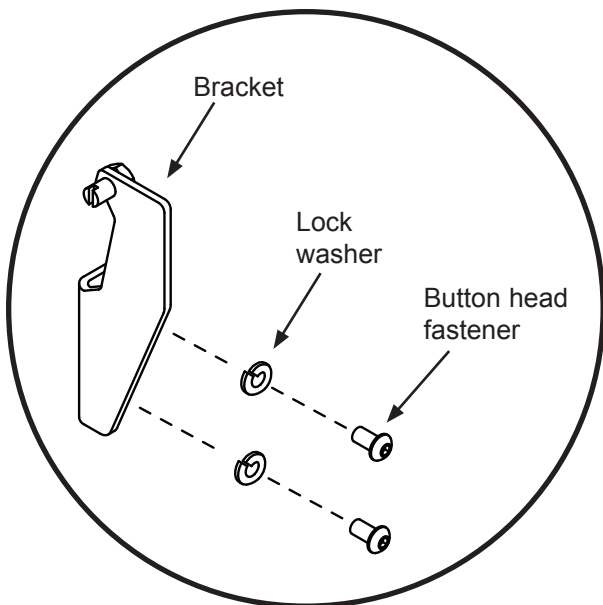
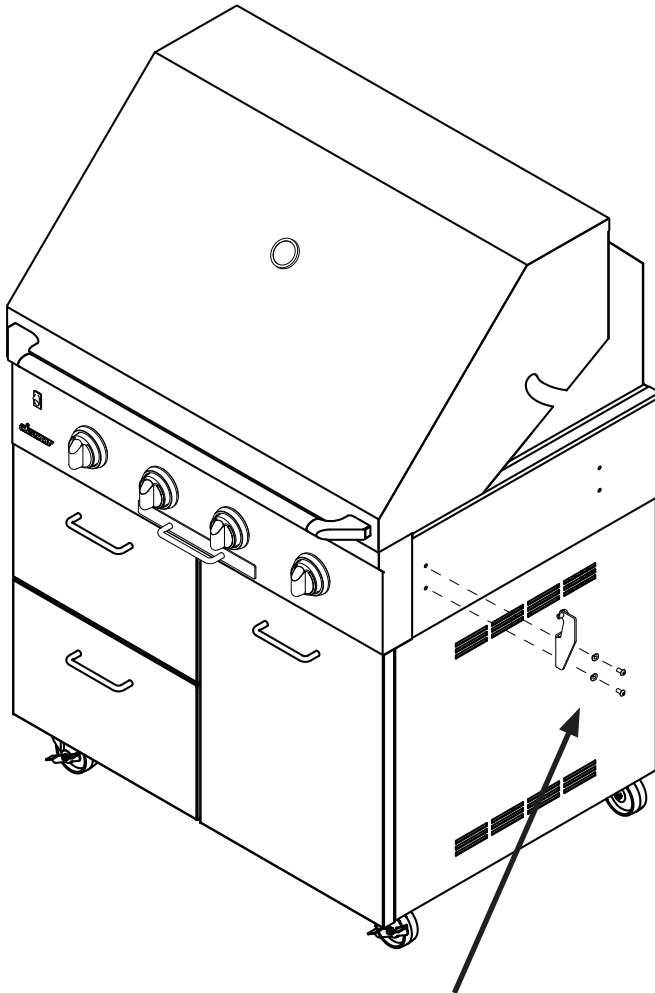
4. Center the unit on the cart, making sure to line up the threaded mounting holes under the bottom of the grill with the holes in the top of the cart.
5. Thread all of the supplied bolts into the bottom of the outdoor grill from inside the cart. Tighten the bolts into place.



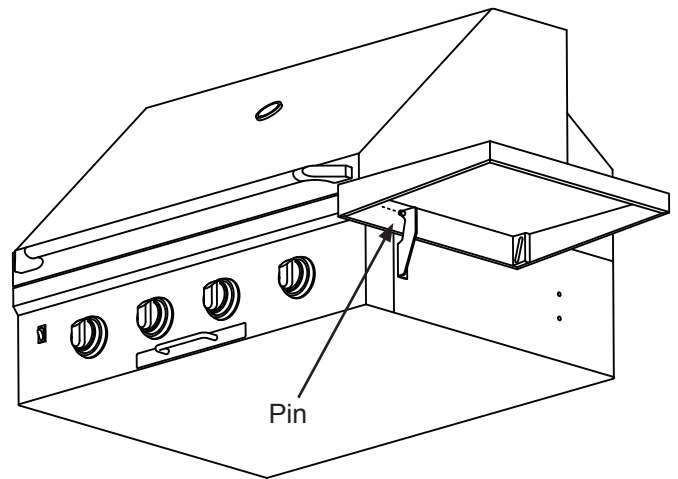
# Installation Instructions

## Optional Side Shelf Installation

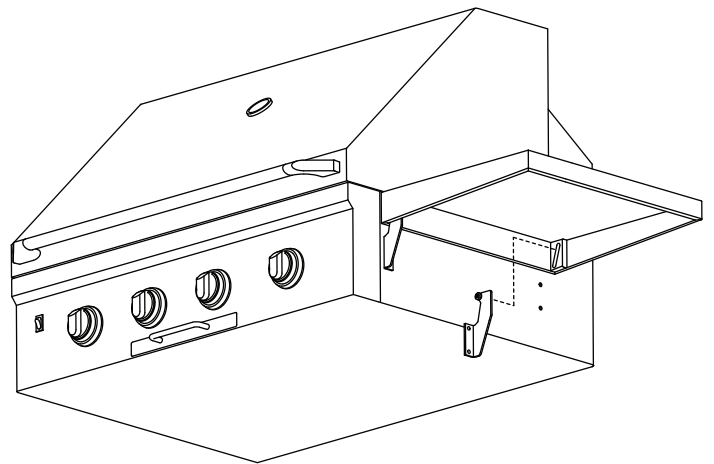
1. Install the front mounting bracket for the right side shelf. Use two (2) of the provided button head fasteners and two (2) lock washers. Tighten into place using a 5/32" Allen wrench.



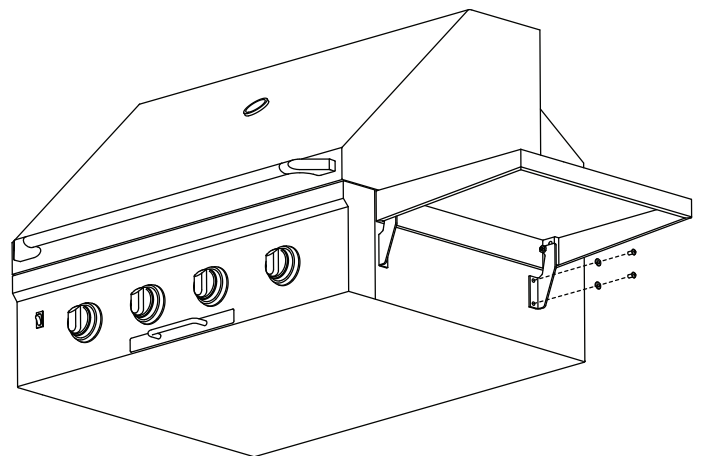
2. Slide the slot on the inside of the shelf over the pin on the mounting bracket.



3. While holding the shelf in place, insert the pin on the back mounting bracket into the slot on the back side of the shelf.



4. While holding the shelf and back mounting bracket in place, attach the back mounting bracket using two (2) of the provided button head fasteners and two (2) lock washers.



5. Repeat steps 1 through 4 for the other shelf.

# Installation Instructions

## Connecting the Gas

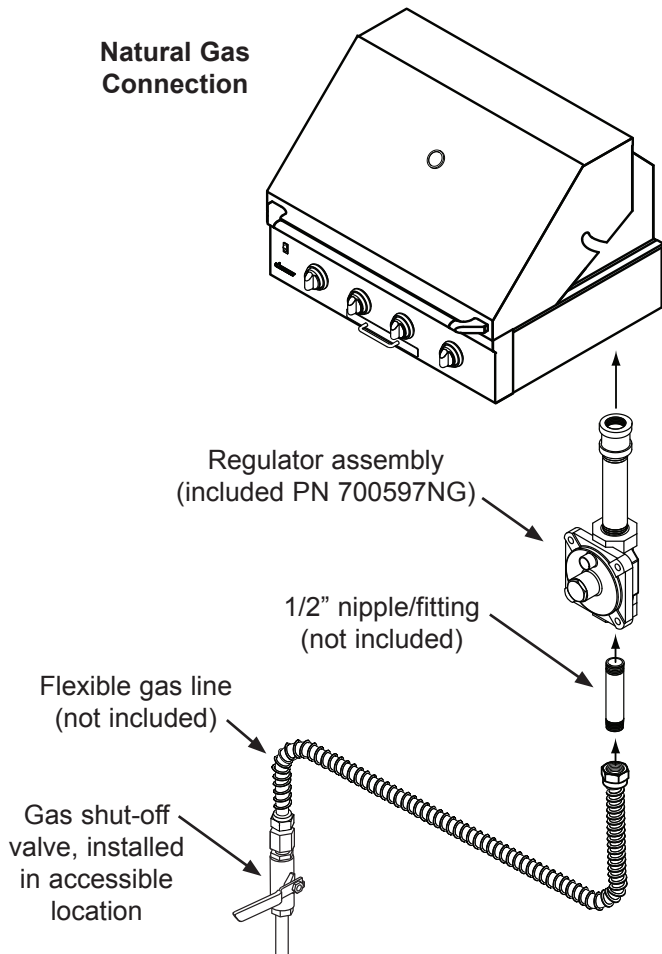
### Gas Connection - Natural Gas

 **NOTE**

- Units equipped for use with natural gas ship with a regulator assembly with 3/4" pipe attached and an additional 3/4" nipple.
- The regulator assembly is also equipped with a 3/4" to 1/2" reducer on the inlet side.

1. Connect the factory supplied regulator assembly to the gas inlet at the back right bottom corner of the appliance. Make sure the arrow on the regulator points in the direction of the gas flow (towards the grill).
2. Connect a 1/2" nipple to the regulator.
3. Install an approved flexible gas line from the regulator to the gas shut-off valve.

#### Natural Gas Connection

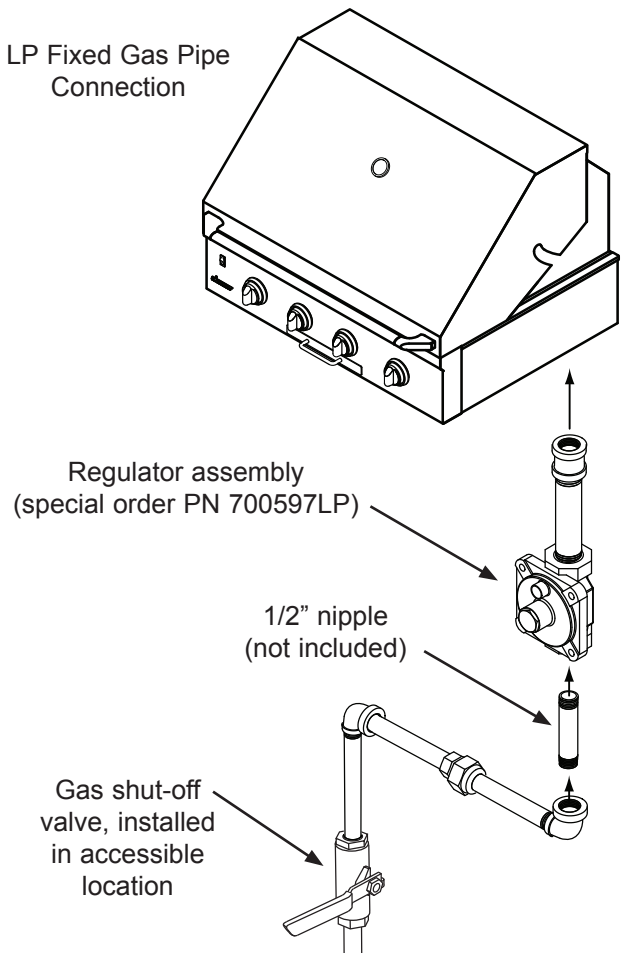


### Gas Connection - LP Fixed Gas Pipe System

1. Connect the LP regulator assembly (special order from Dacor) to the gas inlet at the back right bottom corner of the appliance. Make sure the arrow on the regulator points in the direction of the gas flow (towards the grill).
2. Connect a 1/2" nipple to the regulator.

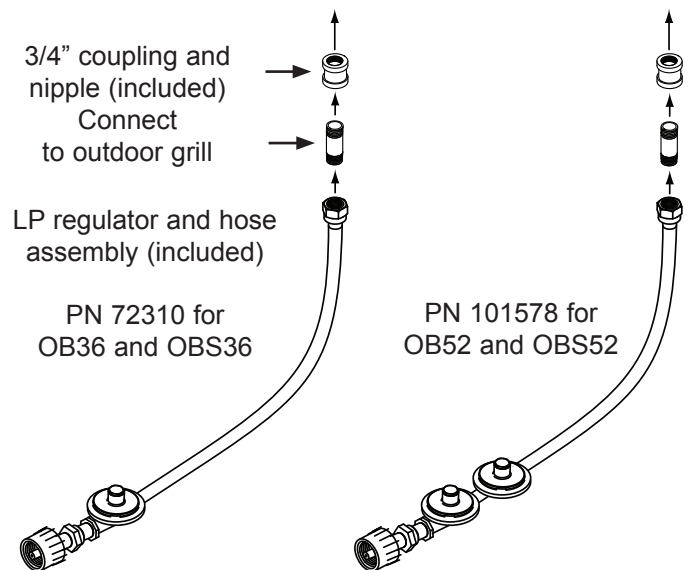
3. Connect the nipple to the gas shut off valve using rigid gas piping.

#### LP Fixed Gas Pipe Connection



### Gas Connection - LP Gas Cylinder Hose

1. Connect the supplied 3/4" coupling and nipple to the gas inlet at the back right bottom corner of the unit.
2. Connect the included LP cylinder hose to the nipple.



#### LP Cylinder Hose Connection

# Installation Instructions

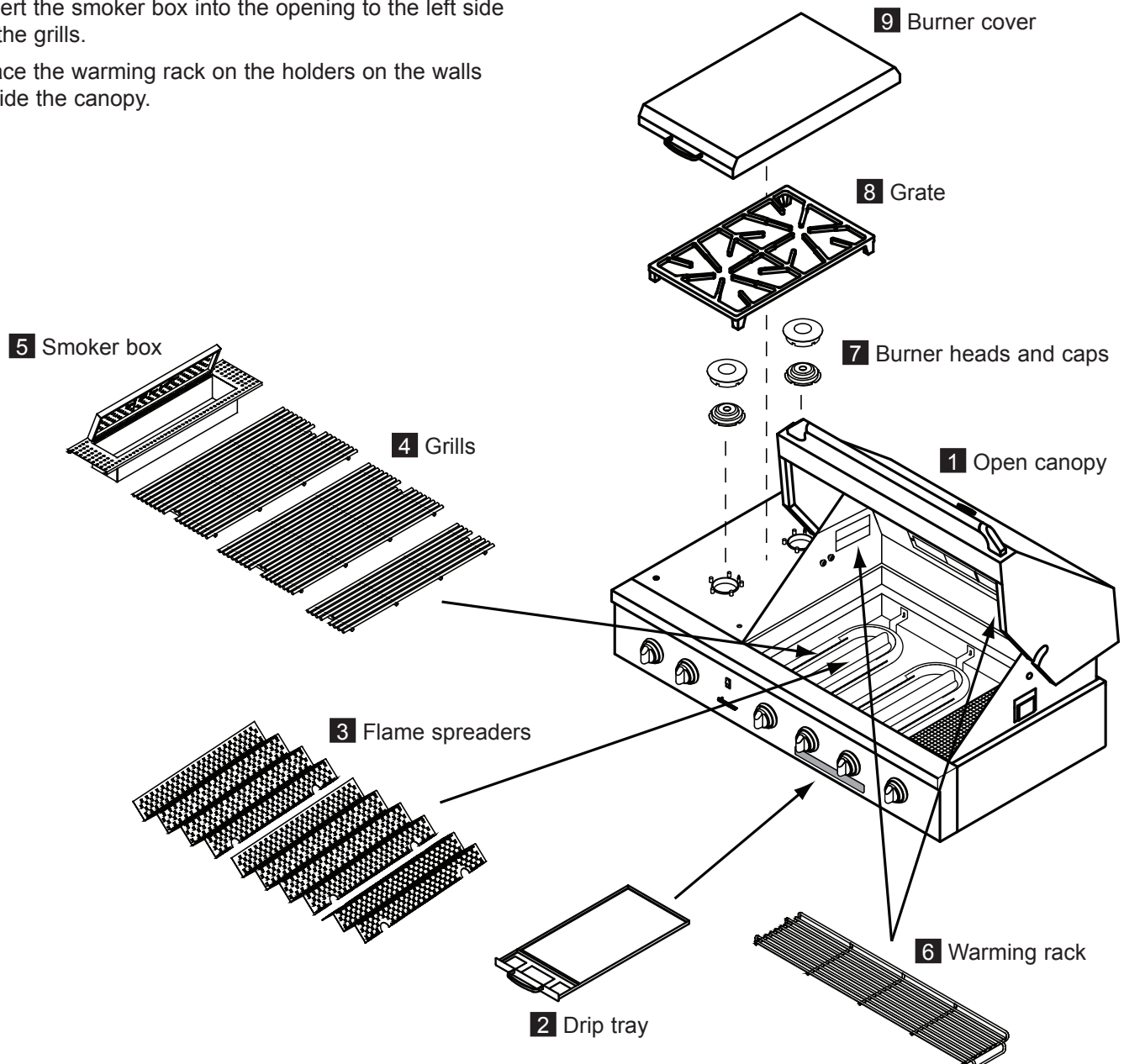
## Final Assembly and Test

### Assemble the Grill

1. Open the canopy on the unit.
2. Insert the drip tray completely into the slot on the front of the unit.
3. Put the flame spreaders on the floor of the appliance, inside the canopy. The large holes go toward the front of the unit. The holes are used to light the burners in case of power failure. Push the spreaders as far to the right as possible, leaving an opening on the left for the smoker box.
4. Install the grills on the shelves above the flame spreaders. Push the grills as far to the right as possible, leaving an opening on the left for the smoker box.
5. Insert the smoker box into the opening to the left side of the grills.
6. Place the warming rack on the holders on the walls inside the canopy.

### Assemble the Side Burner - 52 Inch Models

7. Put the burner heads on to the burner bases. Line up the slots on each head with the pins on the base so that it lies flat. Put the burner caps on top of the burner heads. Line up the slots on each cap with the pins on the base so that it lies flat.
8. Put the grate over the top of the side burner. Line up the legs with the dimples on the top of the side burner chassis.



# Installation Instructions

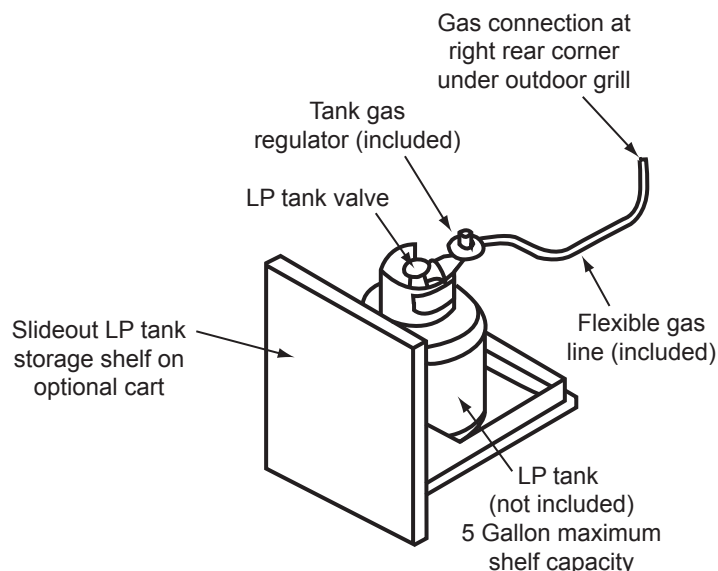
## Final Assembly and Test (cont.)

### LP Cylinder Installation - Some Models

#### **WARNING**

- The largest recommended LP cylinder size for the rollout tank shelf on the cart is five gallons. A five gallon portable liquid propane cylinder should be approximately 12 inches (30.5 cm) in diameter and 18 inches (45.7 cm) high. It must be constructed and marked in accordance with the specification for liquid propane (LP) gas cylinders of the U.S. Department of Transportation (DOT) and designed for use with a 5LP-A quick disconnect systems only.
- Cylinders must be stored outdoors in a well vented area out of the reach of children.
- On installations with a LP cylinder, when storing the appliance indoors, you must disconnect and store the LP cylinder outdoors.
- On models OB52 and OBS52 equipped for use with a LP tank, use only a two stage regulator on the gas supply line.
- For LP cylinder installations, the LP gas cylinder must have its own certified high-pressure regulator (Either Type I or No. 600 Connection).
- A dented or rusty LP tank may be hazardous and should be checked by your LP supplier.
- Never use a cylinder with a damaged shut-off valve.
- Do not change the regulator/hose assembly with a standard 510 POL tank/valve assembly.
- The cylinder must be provided with a shut-off valve terminating in a liquid propane (LP) gas supply cylinder valve outlet specified, as applicable, for connection No. 5LP-A.
- The cylinder supply system must be arranged for vapor withdrawal and provided with a listed overfilling prevention device.

1. For units that will use a LP cylinder, start by making sure the tank shut-off valve is completely closed.
2. Place the tank into the final position within the cabinet or cart.



### Leak Testing

#### **WARNING**

- Do not use a flame to check leaks.
- The grill or cooktop and shut-off valve must be disconnected from the gas supply piping during any pressure testing exceeding 1/2 psi (3.5 kPa).

1. Turn all burner control knobs on the front of the appliance to the **OFF** position.
2. With the power to the appliance **DISCONNECTED**, open the gas shut-off valve.



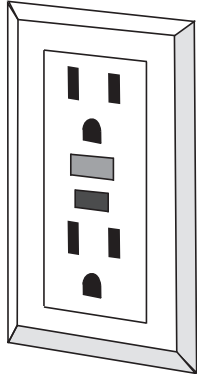
3. Check all gas connections for leaks using an electronic gas leak detector. You may also apply a water and soap solution to the connections. Bubbles around the connections indicate a leak. If you observe leakage do not attempt to operate the appliance until all leaks have been eliminated.

### Power Connection - Cart Models

1. If the appliance is installed on a cart, connect a three-prong extension cord (minimum 5 Amp. capacity) designed for outdoor use to the power input on the back of the cart. Connect the other end of the extension cord to a grounded, three-prong, electrical outlet that meets local code for use with outdoor appliances.

# Installation Instructions

2. With the tank shelf open, connect the power cord from the outdoor grill and the warming oven (if equipped with one) to the electrical outlet on the back panel inside the cart.
3. Connect the rotisserie motor power cord to the electrical outlet on the back side of the cart.



## Electrical Outlet with Ground Fault Interrupter Power Connection - Cabinet Installations

- Connect the appliance(s) to an electrical outlet that meets the specifications in the **Planning the Installation** section.
- The rotisserie motor should be plugged into the same outlet or an alternate 120 Vac outlet on the same circuit as the appliance.

## Verifying Proper Operation

### Lighting Instructions

1. Read and understand the accompanying use and care manual prior to cooking with this appliance. The use and care manual contains additional important safety, service and warranty information.
2. No adjustment of burner settings is required. All valves and air mixture shutters found in this appliance have been factory preset.
3. With the gas shut-off valve open, turn all burner knobs to the **HIGH** position for approximately 20 seconds to allow the air in the system to purge from the grill and cooktop side burners.
4. Once the gas has filled the lines the automatic electronic ignition system should ignite the burner. If the system burners do not ignite within 20 seconds turn all burner controls to the **OFF** position. Wait five minutes and attempt the ignition process again.
5. Visually check the burner flame for proper operation. Proper flame operation will show a steady, soft blue color and stable flame.



HIGH



OFF

6. If the second or third attempt to ignite the burner is not successful then turn all burner controls to the **OFF** position.
7. If the grill or cooktop fails to operate properly, make sure that power to the electrical outlet and gas supply are turned on and that all installation steps have been carefully followed. Check also for a tripped ground fault interrupter on the electrical outlet. Push in on the RESET button.  
**NOTE:** If using an extension cord, the igniters will not spark properly if the cord is not supplying a solid ground.

If the grill still will not light, close the gas shut-off valve. Do not attempt to repair the appliance yourself. Contact Dacor Distinctive Service at (800) 793-0093 ex. 2822. Have the model and serial number from the product data label available when you call.

Dacor is not responsible for the cost of correcting problems caused by a faulty installation.

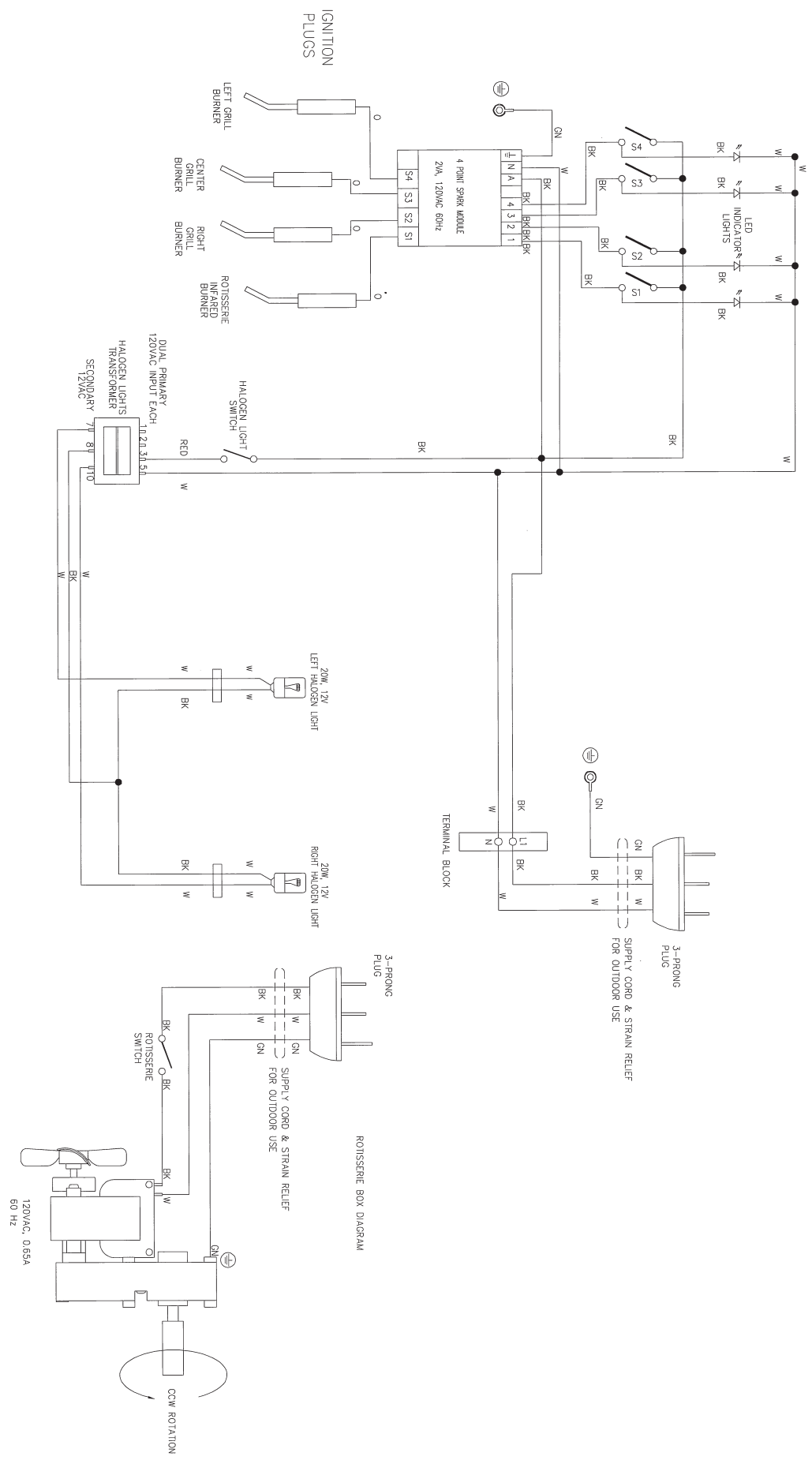
## Installation Checklist

### **WARNING**

- To ensure a safe and proper installation, the following checklist should be completed by the installer to ensure that no part of the installation has been overlooked.
- Proper installation is the responsibility of the homeowner. The importance of proper installation of your Dacor Outdoor Grill cannot be over emphasized.

- Is the electrical outlet for the appliance grounded and located according to these instructions and in accordance with all applicable electrical codes for outdoor appliances?.
- Is the gas service for the appliance located and installed according to these instructions and in accordance with all applicable codes?
- Has the gas supply inlet pressure been measured to ensure that it does not exceed the maximums and meets the minimum stated in these instructions?
- Is the appliance secured to the cabinet or cart?
- Are the grease tray, flame spreaders, grates and, if applicable, burner heads and caps properly installed according to these instructions?
- Has proper operation been verified? Did the installer check the gas supply for leaks?
- Have any problems been noted on the warranty card or during the on-line warranty activation? Has the warranty been activated on-line or the warranty card filled out completely and mailed?

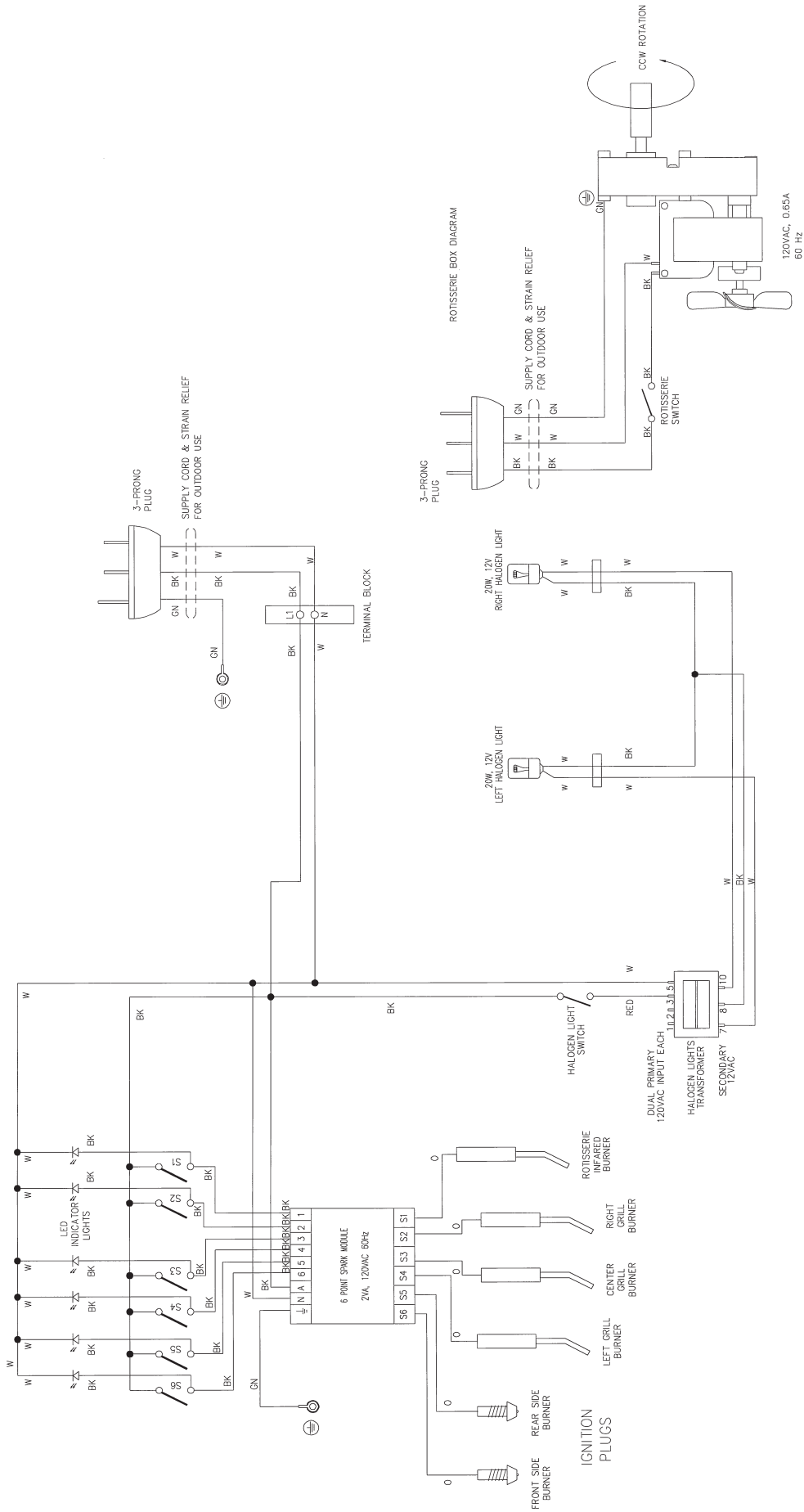
# Wiring Diagrams



Wiring Diagram - OB(S)36



# Wiring Diagrams



**Wiring Diagram - OB(S)52**

# Notes





LET THE SHOW BEGIN