



36-INCH INDUCTION COOKTOP

DT136P876BB | TRANSITIONAL STYLE



FEATURES & BENEFITS

- Flex Zone™ - a large open area offers greater flexibility for cooking multiple dishes at one time. Easily accommodates various cookware sizes.
- Up to 5 cooking zones with Flex Zone™.
- Touch control allows easy access to cooktop functions including power boost.
- Smart Connectivity - auto connects to hood.
- Child safety lock.
- Residual heat reminder.
- SmarThings app enables monitoring of the cooktop from outside the kitchen.

GENERAL PROPERTIES

CONTROLS

TOUCH CONTROL

FEATURES

RESIDUAL HEAT INDICATOR	2 STAGE
CHILD LOCK	YES
KITCHEN TIMER	YES
PAUSE	YES
POWER LEVEL SETTING	13 + 2 POWER BOOST
QUICK STOP	YES
SIMMER/MELT	YES
POWER ON/OFF	YES

ADDITIONAL FEATURES

AUTO PAN DETECTION	YES
SOUND ON/OFF	YES
DEMO MODE	YES
BLUETOOTH CONNECT	YES
WI FI CONNECT	YES
HOOD CONNECTIVITY ON/OFF	YES

ELEMENT PERFORMANCE

TOTAL NUMBER OF COOKTOP ZONES	5
FLEX ZONE LEFT FRONT (W)	1800W / 2600W (B)
FLEX ZONE LEFT REAR (W)	1800W / 2600W (B)
POWER COIL CENTER (W)	3600W / 4800W (B)
RIGHT REAR (W)	1400W / 1800W (B)
RIGHT FRONT (W)	2200W/3200W (B)

ELEMENT SIZE

FLEX ZONE (EACH)	7 19/20"W X 15 6/25"D
CENTER HEATING ELEMENT	7"/11" POWER COIL™
RIGHT FRONT HEATING ELEMENT	8"
RIGHT REAR HEATING ELEMENT	6"

TECHNICAL DETAILS

WATTS (W)	10.8 KW
VOLTS (V)	240
CIRCUIT BREAKER (A)	45
FREQUENCY (HZ)	60
ENERGY SOURCE	ELECTRIC

DIMENSIONS

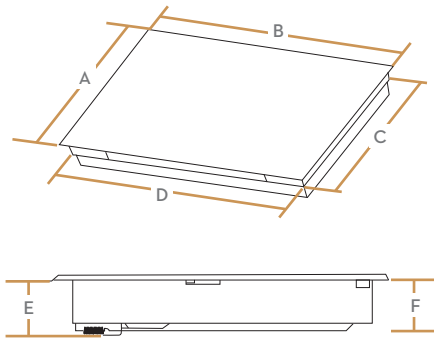
APPLIANCE DIMENSIONS (W X H X D) (IN.)	36" X 4" X 21 1/4"
REQUIRED CUTOUT SIZE (W X D) (IN.)	33 7/8" X 19 1/8"
MINIMUM DISTANCE FROM COUNTER FRONT (IN.)	1 1/2"
MINIMUM DISTANCE FROM REAR WALL (IN.)	1 1/8"

WARRANTY

LIMITED, PARTS AND LABOR	2 YEARS
--------------------------	---------

dacor 36-INCH INDUCTION COOKTOP

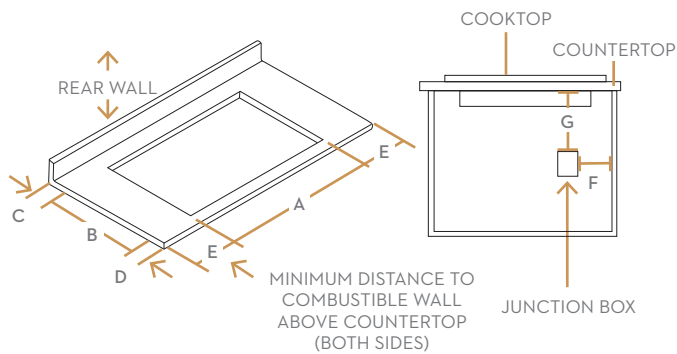
APPLIANCE DIMENSIONS



APPLIANCE DIMENSIONS

A	21 1/4" (540MM)	FRAME DEPTH
B	36" (914MM)	FRAME WIDTH
C	19" (483MM)	CASE DEPTH
D	33 3/4" (857MM)	CASE WIDTH
E	4" (101MM)	CONDUIT CASE HEIGHT
F	3 1/8" (81MM)	CASE HEIGHT

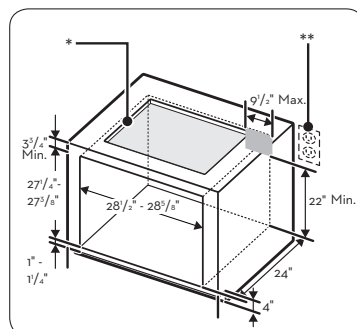
COUNTERTOP CUTOUT DIMENSIONS



COUNTERTOP CUTOUT DIMENSIONS

A	33 7/8" - 34" (860 mm - 864 mm)
B	19 1/8" - 19 3/16" (485 mm - 487 mm)
C	Min 1 1/8" (28 mm). Between cutout and the wall behind the cooktop
D	Min 1 1/2" (38 mm). From front edge of cutout and front edge of countertop
E	Min 1" (26 mm). Distance nearest left and right side combustible surface above cooktop
F	Junction box or outlet 10" (254 mm) maximum from right-hand side of cabinet
G	Junction box or outlet 15" (381 mm) minimum from bottom of countertop

WALL OVEN UNDERCOUNTER CUTOUT DIMENSIONS



* See built-in oven installation for complete installation instructions. See label on top of approved built-in oven models.

** Refer to installation manual of oven.