



36-INCH GAS RANGE

DOP36M96G | CONTEMPORARY STYLE



AVAILABLE MODELS

- DOP36M96GLS Stainless Steel, Natural Gas
- DOP36M96GLM Graphite Stainless Steel, Natural Gas

FEATURES & BENEFITS

- Three-Part Convection System - air baffle, fan and removable convection filter to precisely distribute heat for superior cooking results.
- Large oven capacity - 5.4 cu. ft. 4 Dual-Stack Sealed Burners.
- Powerful 22K BTU and true simmer burners.
- Illumina™ Knobs and Ambient Light.
- 7" LCD Control Panel.
- SmartThings app with integrated Wif-Fi to control and monitor remotely.
- Auto connect to hood.

ACCESSORIES (INCLUDED)

GLIDERACK™	2
STANDARD RACKS	1
TEMPERATURE PROBE	1
WOK RING	1
CONVECTION FILTER	2
BRASS BURNER CAPS	YES
BLACK BURNER CAPS	YES
GRIDDLE	NO

GENERAL PROPERTIES

OVEN CAPACITY (CUBIC FEET)	5.4
COOKING MODES	BAKE CONVECTION BAKE CONVECTION ROAST BROIL CONVECTION BROIL PRO CONVECTION

OVEN PERFORMANCE

BAKE ELEMENT	25,000 BTU
BROIL ELEMENT	18,000 BTU

BURNER PERFORMANCE

TOTAL NUMBER OF COOKTOP BURNERS	6
RIGHT FRONT (BTU)	22,000 DUAL RING (SIMMER)
RIGHT REAR (BTU)	18,000 DUAL RING (SIMMER)
CENTER FRONT (BTU)	18,000 DOUBLE RING (SIMMER)
CENTER REAR (BTU)	18,000 DOUBLE RING (SIMMER)
LEFT FRONT (BTU)	22,000 DUAL RING (SIMMER)
LEFT REAR (BTU)	18,000 DUAL RING (SIMMER)
SEALED BURNERS	YES
PERMA-FLAME™ (AUTO RE-IGNITION)	YES

CONTROL FEATURES

INFOCENTER™ DISPLAY	YES
NUMBER OF KNOBS	6
CONTROL METHOD	7" POP-UP LCD
WI FI	YES
BLUETOOTH (HOOD CONNECTION)	YES
ILLUMINA™ BURNER KNOBS	YES / WHITE
HIGHLIGHTING COLOR	WHITE
AMBIENTLIGHTING	YES (DIMMING)
CLOCK	YES
DELAY START	YES
KITCHEN TIMER	YES
TIME OF DAY (12 HR/24 HR)	YES
TEMPERATURE (F / C)	YES
CHILD LOCK	YES
SOUND ON/OFF	YES
MANUAL LIGHTING ON/OFF	YES

dacor

36-INCH PRO GAS RANGE

ADDITIONAL FEATURES

CLEANING TYPE SELF CLEAN & GREENCLEAN

TYPE OF GRATE CONTINUOUS CAST IRON

CAVITY BLACK ENAMEL COATING

RACK POSITIONS 6

CONVECTION TYPE THREE PART PURE CONVECTION

LIGHTING BRIGHTVUE™ - LED + HALOGEN

ADDITIONAL MODES

KEEP WARM YES

PROOF YES

STONE MODE YES

DEHYDRATE YES

SABBATH YES

OPTIONAL MODES

TEMPERATURE PROBE YES

TECHNICAL DETAILS

CIRCUIT BREAKER (A) 20

VOLTS (V) 120

FREQUENCY (HZ) 60

ENERGY SOURCE GAS

GAS TYPE NATURAL GAS
LIQUID PROPANE

DIMENSIONS

APPLIANCE DIMENSIONS (H X W X D) (IN.) 36 1/2" X 35 7/8" X 29"

REQUIRED CUTOUT SIZE (W X D) (IN.) 36" X 24"

WARRANTY

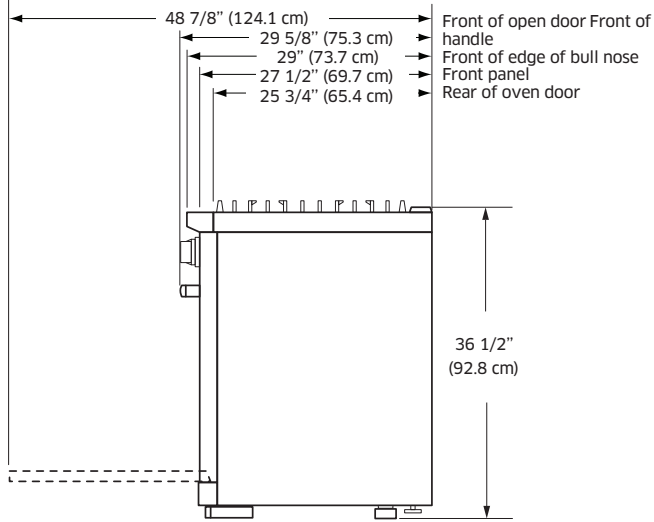
LIMITED, PARTS AND LABOR 2 YEARS

dacor

36-INCH PRO GAS RANGE

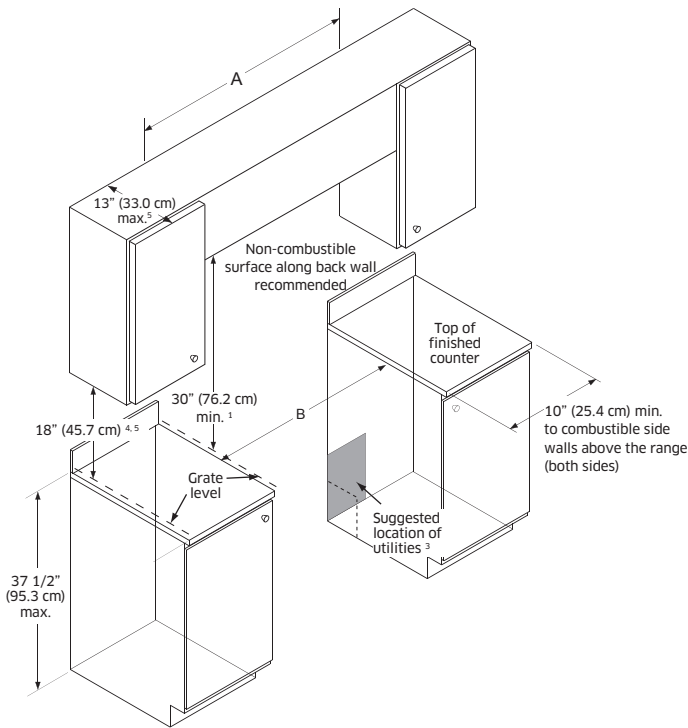
APPLIANCE DIMENSIONS

Product tolerances: $\pm 1/16"$ (± 1.6 mm)



Width: 35 7/8" (91.1 cm)

INSTALLATION CUTOUT DIMENSIONS



36"

A (WIDTH)	35 7/8" (91.1CM)
B (DEPTH)	29" (73.7CM)
C (HEIGHT)	36 1/2" (92.8CM)

36"

A (WIDTH)	36" (91.4 cm) MINIMUM 42" (106.7 cm) RECOMMENDED
B (WIDTH)	36" (91.4 cm)

