



# 48-INCH DUAL-FUEL STEAM RANGE

DOP48M86D | CONTEMPORARY STYLE



## AVAILABLE MODELS

DOP48M86DLS	Stainless Steel, Natural Gas
DOP48M86DPS	Stainless Steel, Liquid Propane
DOP48M86DHS	Stainless Steel, Natural Gas/High Altitude
DOP48M86DAS	Stainless Steel, Liquid Propane/High Altitude
DOP48M86DLM	Graphite Stainless Steel, Natural Gas
DOP48M86DPM	Graphite Stainless Steel, Liquid Propane
DOP48M86DHM	Graphite Stainless Steel, Natural Gas/High Altitude
DOP48M86DAM	Graphite Stainless Steel, Liquid Propane/High Altitude

## FEATURES & BENEFITS

- Exclusive Four-Part Dual Pure Convection - heat, air, baffle, and filter to precisely distribute heat for superior cooking results.
- Real Steam™ and Convection Oven - the power of steam and convection cooking in one.
- Large oven capacity - 4.8 cu. ft. / 1.8 cu. ft.
- 6 Dual-Stack Sealed Burners with 15" continuous cast iron grate.
- Powerful 22K BTU and true simmer burners.
- Illumina™ Knobs and Ambient Light.
- 7" LCD Control Panel.
- SmartThings app with integrated Wi-Fi to control and monitor remotely.
- Auto connect to hood.

## ACCESSORIES (INCLUDED)

GLIDERACK™	2 (LG)
STANDARD RACK	1 (LG) / 1 (SM)
TEMPERATURE PROBE	1 EA (BOTH)
WOK RING	1
CONVECTION FILTER	2 (LG) / 1 (SM)
STEAM TRAY	2 (SM)
HALF STEAM TRAY	2 (SM)
BRASS/BLACK BURNER CAPS	YES

## ACCESSORIES (OPTIONAL)

COOKIE SHEETS (SET OF 3)	SKU - ACSM303
GRIDDLE	SKU - AMG48

## GENERAL PROPERTIES

OVEN CAPACITY (CUBIC FEET)	4.8 (LG OVEN) / 1.8 (SM OVEN)
COOKING MODES LARGE CAVITY	BAKE - BROIL - CONVECTION BAKE - CONVECTION ROAST - CONVECTION BROIL - FOUR-PART PURE CONVECTION - PURE CONVECTION SEAR
COOKING MODES SMALL CAVITY	BAKE - BROIL - CONVECTION BAKE - CONVECTION ROAST - CONVECTION BROIL - FOUR-PART PURE CONVECTION - REAL STEAM - STEAM BAKE - STEAM ROAST

## OVEN PERFORMANCE

BAKE ELEMENT	3,000W - 8 PASS (LG) 1,000W (SM)
BROIL ELEMENT	4,400W - 10 PASS (LG) 2,400W (SM)
CONVECTION ELEMENT	1,300W (EA - 2,600W TOTAL) (LG) / 2,000W (SM)
STEAM HEATER	2,000W (SM)

## BURNER PERFORMANCE

TOTAL NUMBER OF COOKTOP BURNERS	6
LEFT FRONT (BTU)	18,000 DUAL (SIMMER)
LEFT REAR (BTU)	16,000 STACK DUAL (SIMMER)
CENTER FRONT (BTU)	16,000 STACK DUAL (SIMMER)
CENTER REAR (BTU)	16,000 STACK DUAL (SIMMER)
RIGHT FRONT (BTU)	22,000 DUAL (SIMMER)
RIGHT REAR (BTU)	9,000 STACK DUAL (SIMMER)
SEALED BURNERS	YES
PERMA-FLAME™ (AUTO RE-IGNITION)	YES

## CONTROL FEATURES

INFOCENTER™ DISPLAY	YES
NUMBER OF KNOBS	6 + 2 LAMP KNOBS
CONTROL METHOD	7" POP-UP LCD
WI FI	YES
BLUETOOTH (HOOD CONNECTION)	YES
ILLULMINA™ BURNER KNOBS	YES
HIGHLIGHTING COLOR	WHITE
AMBIENT LIGHTING	YES (DIMMING)
CLOCK	YES
DELAY START	YES
KITCHEN TIMER	YES
TIME OF DAY (12 HR/24 HR)	YES
TEMPERATURE (F / C)	YES
CHILD LOCK	YES
SOUND ON/OFF	YES



## 48-INCH PRO DUAL-FUEL STEAM RANGE

### ADDITIONAL FEATURES

CLEANING TYPE	SELF CLEAN (PRIMARY) GREENCLEAN™ (BOTH OVENS)
TYPE OF GRATE	CONTINUOUS CAST IRON
CAVITY	BLACK ENAMEL COATING
RACK POSITIONS	6 (LG) / 4 (SM)
CONVECTION TYPE	DUAL (LG) / SINGLE (SM)
LIGHTING	BRIGHTVUE™ - LED + HALOGEN

### ADDITIONAL MODES

KEEP WARM	YES (BOTH)
LOW PROOF	YES (LG) - STEAM (SM)
PROOF	YES (LG) - STEAM (SM)
STONE MODE	YES (LG)
DEHYDRATE	YES (LG)
GOURMET COOK	YES (LG)
SABBATH	YES

### ADDITIONAL STEAM MODES

FINE STEAM	YES (SM)
GUIDED STEAM	YES (SM)
RECOVERY HEAT (AUTO REHEAT)	YES (SM)

### OPTIONAL MODES

TEMPERATURE PROBE	YES (BOTH)
INSTANTHEAT (NO PREHEAT)	YES (LG) WITH CONVECTION ROAST / CONVECTION BAKE
STEAM PROOF	YES (SM)

### STEAM PROPERTIES

TYPE	REAL STEAM
WATER TANK SIZE	1.5L
WATER TANK LOCATION	SMALL CAVITY (TOP FRONT)
WATER TANK MATERIAL	PLASTIC
WATER TANK TYPE	MANUAL

### TECHNICAL DETAILS

CIRCUIT BREAKER (A)	50
VOLTS (V)	240 / 208
FREQUENCY (HZ)	60
ENERGY SOURCE	GAS AND ELECTRIC
GAS TYPE	NATURAL GAS NATURAL GAS (HIGH ALTITUDE) LIQUID PROPANE LIQUID PROPANE (HIGH ALTITUDE)

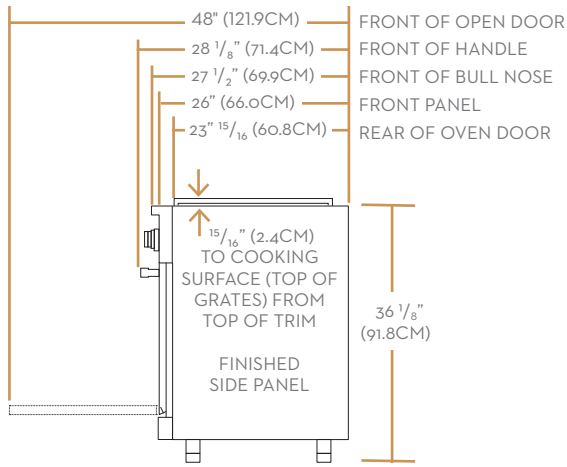
### DIMENSIONS & WEIGHT

APPLIANCE DIMENSIONS (H X W X D) (IN.)	36 1/8" X 47 7/8" X 27 1/2"
REQUIRED CUTOUT SIZE (W X D) (IN.)	48" X 24"

### WARRANTY

LIMITED, PARTS AND LABOR	2 YEARS
--------------------------	---------

### APPLIANCE DIMENSIONS



WIDTH: DOP486M96DL - 47 7/8" (121.6CM)

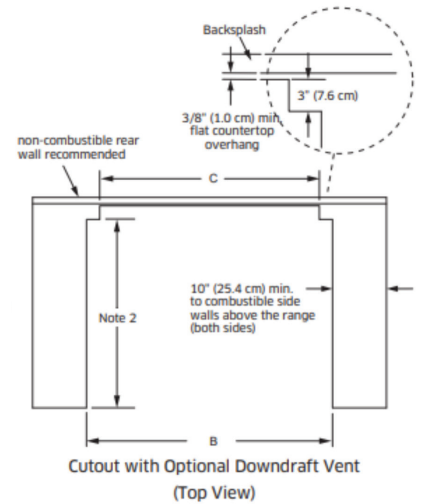
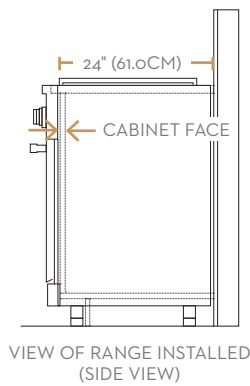
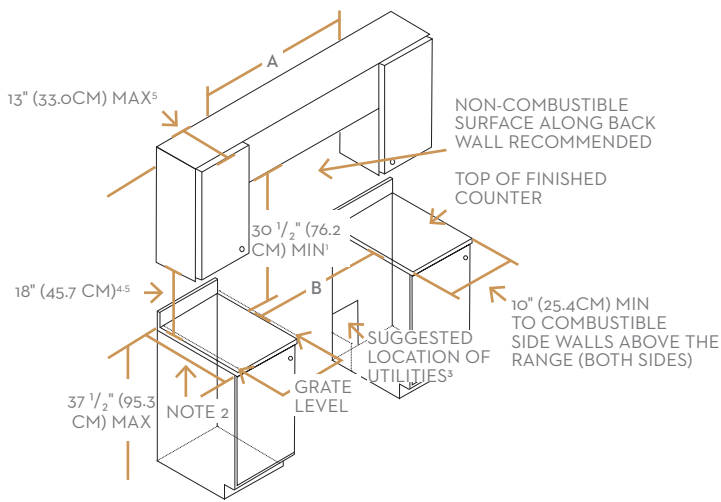
### 48"

A (WIDTH)	47 7/8" (121.6CM)
B (DEPTH)	27 1/2" (69.9CM)
C (HEIGHT)	36 1/8" (91.8CM)

### INSTALLATION CUTOUT DIMENSIONS

### 48"

A	54" (137.2CM)* 48" (121.9CM)**
B	48" (121.9CM)** 48 1/8" (122.2CM)***
C	43 1/2" (110.5CM)



\*Recommended  
 \*\*Minimum  
 \*\*\*Maximum