

---

## Heritage Integrated Ventilation System

RNIVS1, RNIVSR1, RNIVS2, RNIVSR2

### Table of Contents

Important Safety Instructions .....	1
Parts of the RNIVS .....	3
RNIVS Specifications .....	3
Operating Instructions.....	4
Care and Cleaning .....	5
Troubleshooting .....	7
Warranty .....	8
Warranty Card .....	Inside Cover



To Our Valued Customer:

Congratulations on your purchase of the very latest in Dacor® products! Our unique combination of features, style, and performance make us a great addition to your home.

To familiarize yourself with the controls, functions, and full potential of your new Dacor integrated ventilation system, read this manual thoroughly, starting at the **Important Safety Instructions** section (Pg. 1).

Dacor appliances are designed and manufactured with quality and pride, while working within the framework of our company values. Should you ever have an issue with your integrated ventilation system, first consult the **Troubleshooting** section (Pg. 7), which gives suggestions and remedies that may pre-empt a call for service.

Valuable customer input helps us continually improve our products and services, so feel free to contact our Customer Assurance Team for assistance with all your product-support needs.

**Dacor Customer Assurance**

14425 Clark Avenue  
City of Industry, CA 91745

**Telephone:** 833-35-ELITE (833-353-5483) USA, Canada  
**Fax:** (626) 403-3130  
**Hours of Operation:** Mon – Fri, 5:00 a.m. to 5:00 p.m. Pacific Time  
**Website:** [www.dacor.com/customer-care/contact-us](http://www.dacor.com/customer-care/contact-us)

Thanks for choosing Dacor for your home. We are a company built by families for families, and we are dedicated to serving yours. We are confident that your new Dacor integrated ventilation system will deliver a top-level performance and enjoyment for decades to come.

Sincerely,

*The Dacor Customer Assurance Team*

# Important Safety Instructions

**Installer:** Leave these instructions with the appliance. Write the *data plate information* below before installing the unit.

**Consumer:** Before using the appliance, read this manual completely, and save it for reference. It contains important use and care information.

**For Warranty, see page 8.**

If you have any questions, contact Dacor Customer Assurance (see contact info, previous page). Have available the model and serial numbers, which are on the data plate inside the vent above the filters. (Remove the filters to see the plate.)

**Model Number** \_\_\_\_\_

**Serial Number** \_\_\_\_\_

**Date of Purchase** \_\_\_\_\_

## Important Information About Safety Instructions

The **Important Safety Instructions** and warnings in this manual are not meant to cover all possible problems and situations that can occur. Use common sense and caution when installing, maintaining or operating this or any other appliance.

Always contact the Dacor Customer Service Team about problems or situations that you do not understand.

## Safety Symbols and Labels

Whenever you see these symbols or labels, read the message carefully before continuing.

### **DANGER**

Immediate hazards that **WILL** result in severe personal injury or death.

### **WARNING**

Hazards or unsafe practices that **COULD** result in severe personal injury or death.

### **CAUTION**

Hazards or unsafe practices that **COULD** result in *minor* personal injury or property damage.

### **DANGER**

To avoid the possibility of explosion or fire, do not store or use combustible, flammable or explosive vapors and liquids (such as gasoline) inside or in the vicinity of this or any other appliance. Also keep items that could explode, such as aerosol cans away from cooktop burners, ovens and range hoods. Do not store flammable or explosive materials in adjacent cabinets or areas.

### **WARNING**

WARNING - TO REDUCE THE RISK OF FIRE, ELECTRIC SHOCK, OR INJURY TO PERSONS, OBSERVE THE FOLLOWING:

- a. Use this unit only in the manner intended by the manufacturer. If you have questions, contact the manufacturer.
- b. Before servicing or cleaning unit, switch power off at service panel and lock the service disconnecting means to prevent power from being switched on accidentally. When the service disconnecting means cannot be locked, securely fasten a prominent warning device, such as a tag, to the service panel.

### **WARNING**

#### STATE OF CALIFORNIA PROPOSITION 65 WARNINGS

WARNING: This product contains one or more chemicals known to the State of California to cause cancer.

WARNING: This product contains one or more chemicals known to the State of California to cause birth defects or other reproductive harm.

***READ AND SAVE THESE INSTRUCTIONS***

# Important Safety Instructions

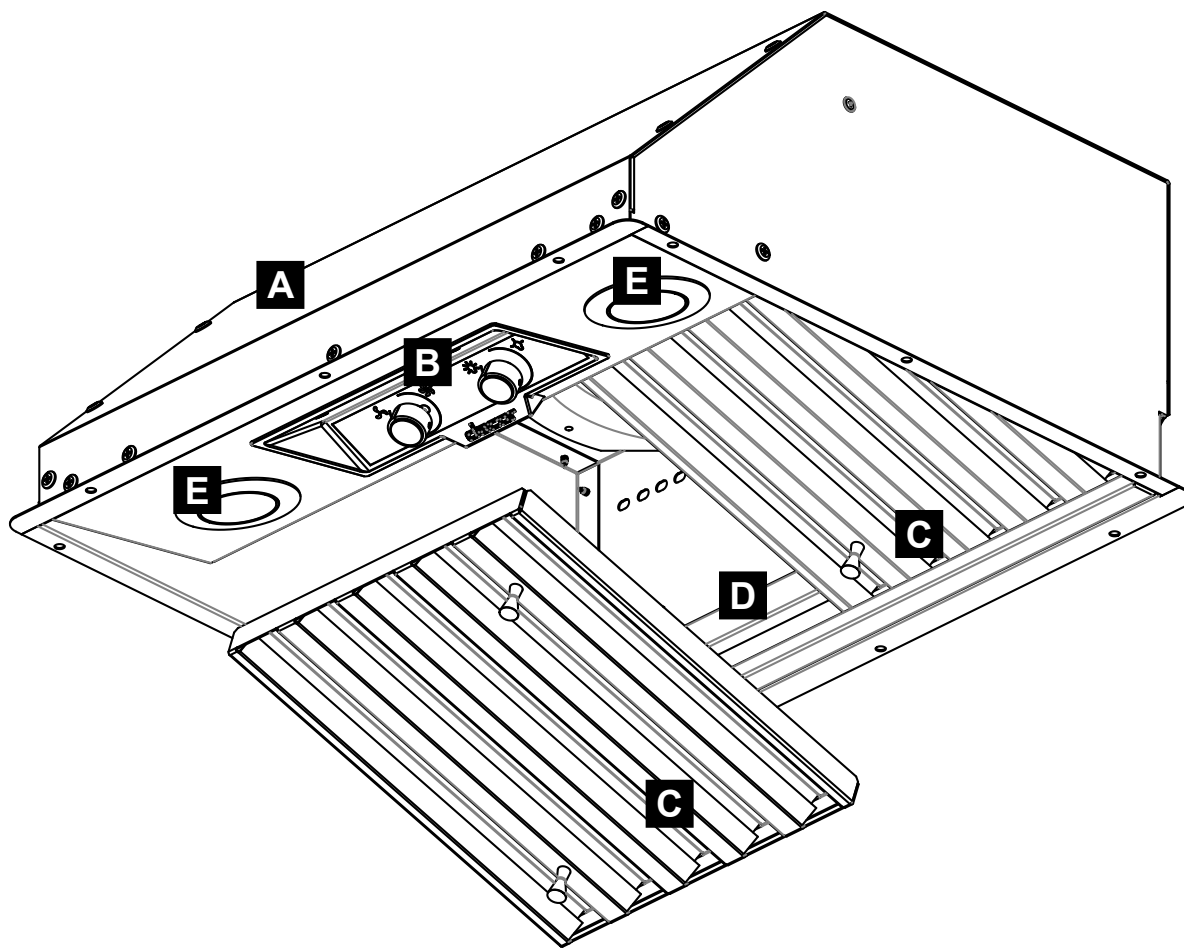
## General Safety Precautions

To reduce the risk of fire, electric shock, serious injury, or death when using your RNIVS, follow basic safety precautions, including the following:

### **WARNING**

- If you receive a damaged product, immediately contact your dealer or builder. Do not install or use a damaged hood.
- Make sure that the range hood has been correctly installed and grounded by a qualified installer according to the accompanying Installation Instructions. Have the installer show you the fuse or junction box so that you can turn the power ON/OFF.
- Do not install, repair, or replace any part of the range hood unless specifically recommended in the literature accompanying it. A qualified service technician should perform all other service.
- To avoid the risk of electric shock, before servicing the range hood, switch power off at the fuse or junction box and lock the electrical panel door to prevent power from being switched on accidentally. If the electrical panel cannot be locked, securely fasten a prominent warning device, such as a tag, to the service panel.
- To avoid the risk of electric shock, before cleaning the range hood, turn the main power switch OFF.
- Use the range hood only for its intended purpose as outlined in this manual. **DO NOT** use this integrated range hood to vent hazardous or explosive materials or vapors. If you have questions, contact Dacor.
- Do not tamper with the controls.
- Never allow the filters to become blocked or clogged. Do not allow foreign objects, such as cigarettes or napkins, to be sucked into the hood.
- If the cooktop and range hood are near a window, use a secure window treatment. Avoid long drapes or other window coverings that could blow over the cooktop and hood, and cause a fire hazard.
- Always run the fans whenever the cooktop is being used.
- Do not leave children alone or unattended in the area where the cooktop and range hood are in use. Never allow children to sit or stand on an appliance. Do not let children play with a range, cooktop, or range hood. Do not store items of interest to children above or around the cooktop, range or range hood.
- The minimum distance between the cooktop surface and the exterior part of the non-combustible hood must be at least 30" (76.2 cm).
- To reduce the risk of a rangetop grease fire:
  - a. Never leave surface units unattended at high settings. Boil-overs cause smoking and greasy spill-overs that may ignite. Heat oils slowly on low or medium settings.
  - b. Always turn the hood ON when cooking at high heat or when flambéing food (i.e. Crepes Suzette, Cherries Jubilee, Peppercorn Beef Flambé).
  - c. Clean ventilating fans frequently. Grease should not be allowed to accumulate on filter or on any parts.
  - d. Use correct pan size. Always use cookware matching the size of the surface element or grate.
- **TO REDUCE THE RISK OF INJURY TO PERSONS IN THE EVENT OF A COOKTOP GREASE FIRE:**
  - a. **SMOTHER FLAMES** with a close-fitting lid, cookie sheet, or metal tray, then turn off the burner. **BE CAREFUL TO PREVENT BURNS.** If the flames do not go out immediately, **EVACUATE AND CALL THE FIRE DEPARTMENT.**
  - b. **NEVER PICK UP A FLAMING PAN** - you may be burned.
  - c. **DO NOT USE WATER**, including wet dish cloths or towels - a violent steam explosion may result.
  - d. Use a fire extinguisher **ONLY** if:
    - ◇ You have a Class ABC extinguisher, and you already know how to operate it.
    - ◇ The fire is small and contained in the area where it started.
    - ◇ The fire department is being called.
    - ◇ You can fight the fire with your back to an exit.

# Parts of the RNIVS



Model shown:  
RNIVS1

**A RNIVS** The Renaissance® Integrated Ventilation System captures heat, smoke, and odors then moves them outside. This “range hood chassis” is without a canopy to fit inside custom designs.

**B CONTROL PANEL** Two knobs located underneath the front of the hood. These dials control the hood’s lights and fan speeds.

**C FILTER** Baffles prevent grease and grime from getting into the fan(s). The number these baffle-style filters depends on the model.

**D GREASE CHANNEL** A removable part of the filter system that helps capture grease.

**E LIGHTS** Dimmable LED bulbs in recessed fixtures that take size PAR16 E26/27. Fixtures are compatible with Halogen and any dimmable 75W max. bulb.

## RNIVS Specifications

<b>Total Connected Load</b>	120V, 60 Hz, 9 Amp. Max. (10 Amp. max. surge)
<b>Filters</b>	Baffle style, Stainless steel, Dishwasher safe
<b>Lights</b>	Dimmable LED 7.5W 120V, 60 Hz. Size: PAR16, E26/27  (All replaceable bulbs must be dimmable and not exceed 75W max.)

# Operating Instructions

## Using the Controls

### **WARNING**

Never operate this RNIVS without the filters in place. Also, do not use this unit with grimy or grease-laden filters. Personal injury, fire, or damage to the unit and/or range hood could result.

### Using the Control Panel

Control the fan and lights by turning the knobs on the **Control Panel**.

- The Control Knobs:

**A** The FAN control is on the left, and

**B** The LIGHTS control is on the right.

### Using the Fan

Refer to the middle image, **Fan Control Knob** on the right.

The **fan** knob has *adjustable speed, with ON and OFF functions*.

- Turn the **FAN** knob **A** clockwise (*right*).  
The fan will start at the highest speed.
- Keep turning to decrease the speed. Turn toward the 3-bladed fan icon for low speed.
- Reverse and turn toward the 5-bladed fan icon to shut the fan OFF.

### Turning on the Lights

The **lights** knob has *adjustable brightness, with ON and OFF functions*.

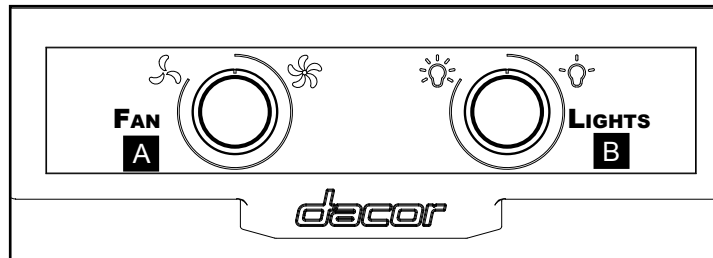
Refer to the image, **Light Control Knob** on the right.

- Turn the **LIGHTS** knob **B** clockwise (*right*).  
Continue *one-half turn* until the lights illuminate.
- Continue turning right to increase brightness.  
Turning toward the 7-ray bulb (max bright) increases the light.  
Turning toward the 3-ray bulb (min bright) decreases the light.
- Reverse and turn toward the 3-ray bulb to decrease the light or to shut the lights OFF.

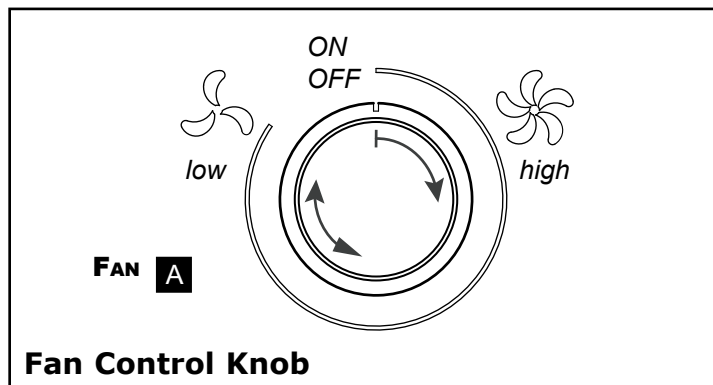
### Important Operating Tips

- Always use the fan when cooking.
- Turn the fan on a few minutes before cooking to establish an airflow current in the room.
- Shut nearby windows and doors, turn off ceiling fans, and close nearby heating and air conditioning vents to reduce drafts around the hood.
- In the interest of safety:* heat oils and fats slowly.

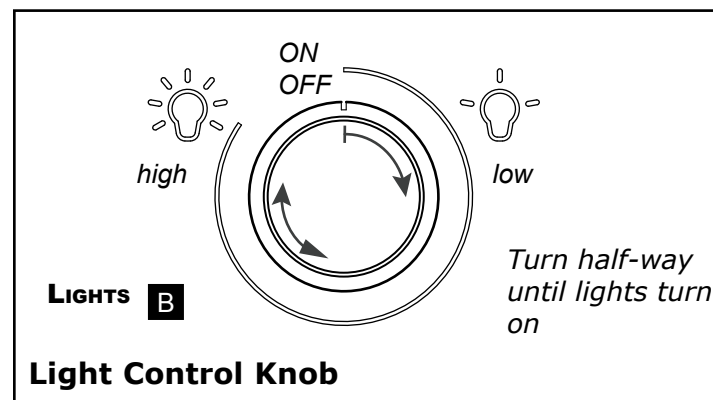
### Control Panel



### Using the Fan



### Turning on the Lights



# Care and Cleaning

## WARNING

To avoid the risk of fire, electric shock or personal injury:

- Turn power OFF to the hood at the circuit breaker panel or fuse box before cleaning.
- Clean the hood only in the manner specified.
- Use only the types of cleaning solutions specified in this manual.

## WARNING

- Thoroughly dry the filter(s) immediately after cleaning.
- Turn off the cooktop or range and make sure that the appliance and range hood are cool before cleaning.
- To avoid damage to the fan, do not reinstall damaged filters (see page 7 for replacement part numbers).

## Cleaning the Filters

**Be careful not to scratch the grease channel!**

### Removing the Filters

The filters **A** are located on the bottom of the unit. They are external, exposed pieces that lay directly above all heat, steam, and particulates that draw upward into the fan(s).

1. Study the illustrations and notice that the:
  - **tension clips B** in the front of the unit secure the filters in place.
2. Grasp the filter knobs. Lift and push the filter forward into the **tension clips B** until the back no longer touches the **grease channel C**.
3. Carefully remove the filter *without scratching the grease channel*.

### Cleaning the Filters and Grease Channel

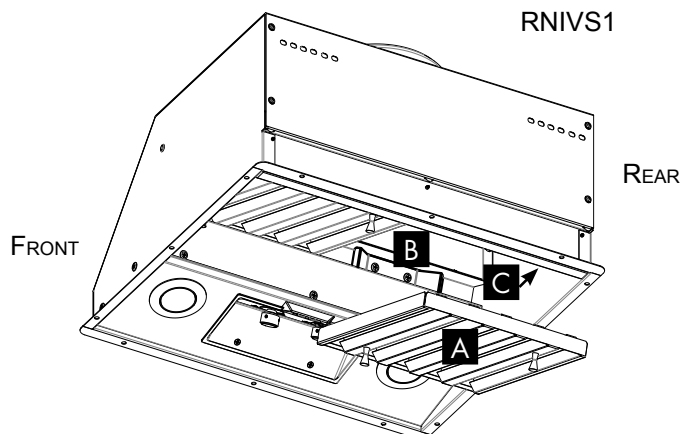
1. Wash the filters in hot soapy water or place them in a dishwasher.
2. Unhinge the grease channel and clean with a hot, soapy sponge.

You may need to carefully stand on a sturdy chair (with assistance) while you: reach inside the unit, lift up the grease channel with both hands, and detach the piece.
3. Dry the grease channel.
4. Shake, then dry the filters before reinstalling them.

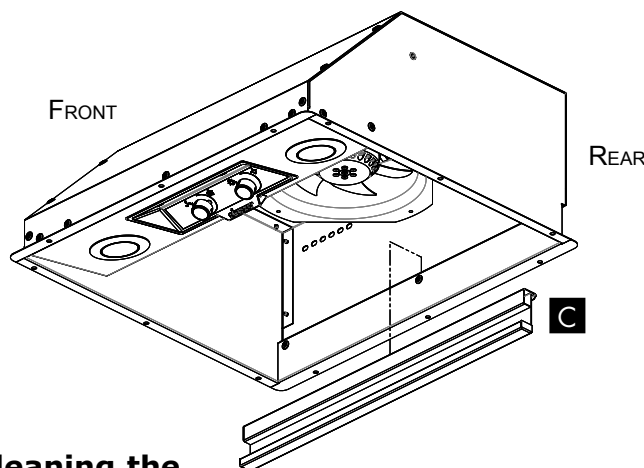
### Inserting the Filters

1. Grasp the filter knobs, and push the front of the filter firmly against the tension clip **B**. This will give you clearance to:
2. Carefully lift the rear of the filter *up into* the unit, and
3. With the front still pressed against the tension clip, lower the rear and set it on the grease channel.
4. Wipe fingerprints and adjust as necessary.

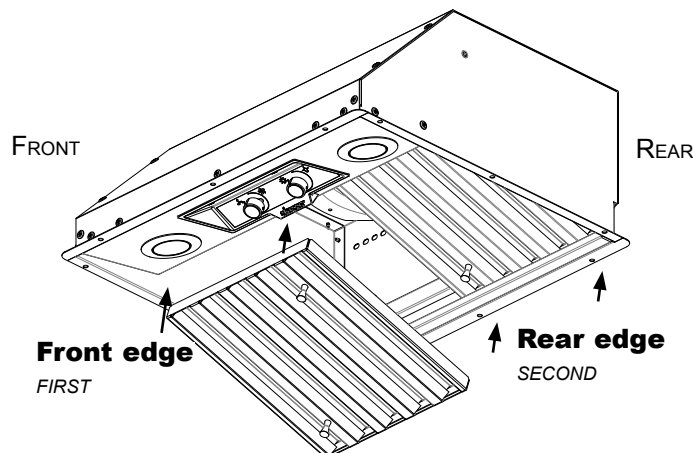
Model Shown:  
RNIVS1



### Removing the Filters



### Cleaning the Grease Channel



### Inserting the Filters

# Care and Cleaning

## Maintenance

### Cleaning the Stainless Steel

Clean stainless steel surfaces with a mild solution of dishwashing liquid and warm water.

ALWAYS WIPE WITH THE GRAIN OF THE STEEL. Do not use abrasive cleaners or abrasive cloths.

Rinse and dry with a micro-fiber cloth or other lint-free cloth.

We recommend Dacor Stainless Steel Cleaner. Use it according to the directions on the package

### Replacing the Light Bulbs

Light bulb replacement is considered to be homeowner maintenance. Before replacing any bulbs, or if any light does not work, check to make sure that the power is ON at the circuit breaker, fuse box, or light switch.

If you are replacing the bulb outside of Dacor's service, please bring the bulb with you to avoid any compatibility problems.

**SPECIFICATIONS:** Dimmable LED 7.5W or Halogen 75W (75W max.)  
120V, 60 Hz.  
Size: PAR16, E26/27

### Replacing the Light Bulbs

1. Turn the power OFF at the circuit breaker or fuse box. (This avoids damage if a short occurs.)
2. Gently push the suction cup tool **A** (provided with your range hood) onto the lens of the light bulb. **B** Make sure the lens is grease-free.
3. Turn the tool *left* to loosen the bulb.
4. Remove the tool and bulb.
5. Insert the replacement bulb inside the housing and tighten. If the bulb remains loose:
6. Attach the suction cup to the lens of the replacement bulb. **C** Make sure the lens is grease-free.
7. Tighten this new bulb into the housing. Twist *right* until it is tight.
8. Remove the suction cup from the bulb.
9. Turn the power ON at the fuse box or circuit panel.

### Dacor Replacement Parts

To order replacement parts directly from Dacor, refer to the tables on the right for light bulb kits and filter kits.

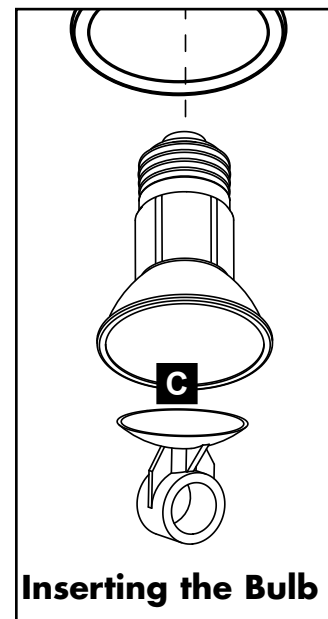
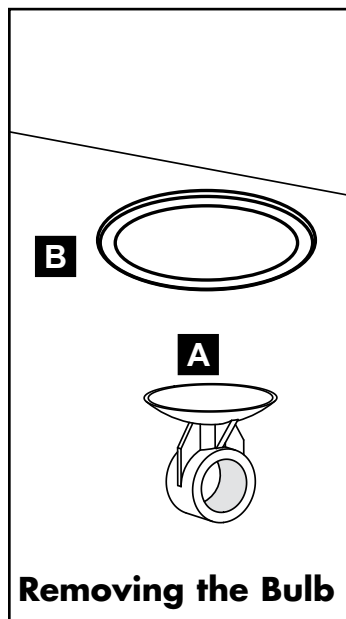
Visit us at [www.everythingdacor.com](http://www.everythingdacor.com).

Dacor's Customer Service center is available  
6:00 A.M. – 5:00 P.M. Pacific Time

Phone: (800) 793-0093, extension 2813

## ⚠ WARNING

- To prevent electric shock or damage to the electrical system, turn power OFF at the fuse box or circuit breaker panel before replacing the light bulb.
- To avoid the risk of fire, do not use any light bulb stronger than 75W, 120V.
- Use a dimmable bulb.
- To avoid personal injury, make sure the unit and the light lens are cool before changing the light bulb.



Dacor Kit Number	Light Bulb Kits
<b>Tip#1*</b> Replace all bulbs if changing from Halogen to LED because the difference in color and luminosity between the two types is noticeable	
<b>Tip#2*</b> Use dimmable bulbs. Halogen bulbs are dimmable by default but might not indicate this on the packaging	
702666	Dimmable LED 7.5W Bulb Replacement Kit (1 bulb + 1 suction cup tool)
700975	Halogen 75W Bulb Replacement Kit (1 bulb + 1 suction cup tool)

Dacor Kit Number	Filter Kits
702579	Baffle Filter Kit (1 pc + hardware)
702580	Baffle Filter Kit (2 pc + hardware)



# Troubleshooting

Problem	May Be Caused By	What to Do (Solution)
Nothing Works. (Lights and fan do not work.)	Power to hood is off.	Turn power ON at the junction or fuse box. Check for a tripped breaker or blown fuse.
	Power outage.	Call your electric company.
	Hood is not connected to electric power. Miswire.	Have a qualified electrician connect hood to electric power.
Lights do not work (but fan works).	Lights knob is not turned far enough.	Continue to turn the lights knob clockwise.
	Light bulb is loose.	Check to make sure that the light bulb is completely screwed in (see page 6).
	Light bulb is burned out.	Replace the light bulb (see page 6).
Fan starts but does not work properly. (Fan does not draw enough heat and smoke.)	Fan speed is too low.	See <b>Operating Instructions</b> (see page 4).
	Filters are clogged or dirty. There are open windows, HVAC interference	Check filters. Make sure they are completely clean and free of oils, solid grease, and foreign objects and debris. Check for drafts, open windows, and airflow interference.
	Damper is stuck or ductwork is clogged.	Consult with a qualified installation professional.*
Fan does not work, (but lights work).	Electrical malfunction in the fan or fan switch. Miswire.	Call for service.

\* The ductwork connecting the RNIVS to the outside of the house or building is not manufactured, warranted, or serviced by Dacor.

The consumer is responsible for having a qualified installer install and maintain the ductwork.

# Warranty

## Warranty

### What is Covered

#### **CERTIFICATE OF WARRANTIES: DACOR RANGE HOODS**

#### **WITHIN THE FIFTY STATES OF THE U.S.A., THE DISTRICT OF COLUMBIA AND CANADA\*:**

##### FULL ONE-YEAR WARRANTY

The warranty applies only to the Dacor appliance sold to the first use purchaser, starting from the date of original retail purchase or closing date for new construction, whichever period is longer. Warranty is valid on products purchased brand new from a Dacor Authorized Dealer or other seller authorized by Dacor.

If your Dacor product fails to function within one year of the original date of purchase, due to a defect in material or workmanship, Dacor will remedy it without charge to you.

All cosmetic damage (such as scratches on stainless steel, paint/porcelain blemishes, etc.) to the product or included accessories must be reported to Dacor within 60 days of the original purchase date to qualify for warranty coverage.

Consumable parts such as filters and light bulbs are not covered and are the responsibility of the purchaser.

##### LIMITATIONS OF COVERAGE

Service will be provided by a Dacor designated service company during regular business hours. Please note service providers are independent entities and are not agents of Dacor.

Dealer display and model home display products with a production date greater than 5 years, products sold "As Is," and products installed for non-residential use, which include but are not limited to religious organizations, fire stations, bed and breakfast and spas carry a one year parts warranty only. All delivery, installation, labor costs and other service fees are the responsibility of the purchaser.

Warranty will be null and void on product that has altered, defaced or missing serial numbers and tags.

The owner must provide proof of purchase or closing statement for new construction upon request. All Dacor products must be accessible for service

\*Warranty is null and void if non-UL approved product is transported from the U.S.

#### **OUTSIDE THE FIFTY STATES OF THE U.S.A., THE DISTRICT OF COLUMBIA AND CANADA:**

##### LIMITED FIRST YEAR WARRANTY

If your Dacor product fails to function within one year of the original date of purchase due to a defect in material or workmanship, Dacor will furnish a new part, F.O.B. factory to replace the defective part.

All delivery, installation, labor costs and other service fees are the responsibility of the purchaser.

### What Is Not Covered

- Slight color variations may be noticed because of differences in painted parts, kitchen lighting, product placement and other factors; this warranty does not apply to color variation.
- Service calls to educate the user on proper use and care of the product.
- Service fees for travel to islands and remote areas, which include but are not limited to, ferries, toll roads or other travel expenses.
- Consequential or incidental damage, including but not limited to food or medicine loss, time away from work or restaurant meals.
- Failure of the product when used for commercial, business, rental or any application other than for residential consumer use.
- Failure of the product caused by improper product installation.
- Replacement of house fuses, fuse boxes or resetting of circuit breakers.
- Damage to the product caused by accident, fire, flood, power interruption, power surges or other acts of God.
- Liability or responsibility for damage to surrounding property including cabinetry, floors, ceilings and other structures or objects around the product.
- Breakage, discoloration or damage to glass, metal surfaces, plastic components, trim, paint or other cosmetic finish caused by improper usage, care, abuse or neglect.

### Out of Warranty

Should you experience a service issue beyond the standard warranty period, please contact us. Dacor reviews each issue and customer concern to provide the best possible solution based on the circumstances

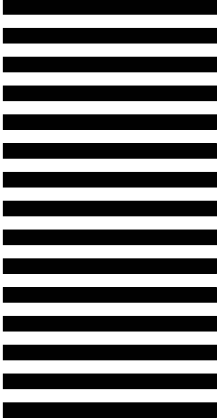
THE REMEDIES PROVIDED IN THE ABOVE EXPRESS WARRANTIES ARE THE SOLE AND EXCLUSIVE REMEDIES. THEREFORE, NO OTHER EXPRESS WARRANTIES ARE MADE, AND OUTSIDE THE FIFTY STATES OF THE UNITED STATES, THE DISTRICT OF COLUMBIA AND CANADA, ALL IMPLIED WARRANTIES, INCLUDING BUT NOT LIMITED TO, ANY IMPLIED WARRANTY OF MERCHANTABILITY OR FITNESS FOR A PARTICULAR USE OR PURPOSE, ARE LIMITED IN DURATION TO ONE YEAR FROM THE DATE OF ORIGINAL PURCHASE. IN NO EVENT SHALL DACOR BE LIABLE FOR INCIDENTAL EXPENSE OR CONSEQUENTIAL DAMAGES. IN THE EVENT DACOR PREVAILS IN ANY LAWSUIT, DACOR SHALL BE ENTITLED TO REIMBURSEMENT OF ALL COSTS AND EXPENSES, INCLUDING ATTORNEY'S FEES, FROM THE DACOR CUSTOMER. NO WARRANTIES, EXPRESS OR IMPLIED, ARE MADE TO ANY BUYER FOR RESALE.

Some states do not allow limitations on how long an implied warranty lasts, or do not allow the exclusion or limitation of inconsequential damages, therefore the above limitations or exclusions may not apply to you. This warranty gives you specific legal rights, and you may also have other rights that vary from state to state.

fold here



NO POSTAGE  
NECESSARY  
IF MAILED  
IN THE  
UNITED STATES



**BUSINESS REPLY MAIL**  
FIRST-CLASS MAIL PERMIT NO 1600 CITY OF INDUSTRY CA

POSTAGE WILL BE PAID BY ADDRESSEE

**DACOR  
ATTN WARRANTY PROCESSING DEPT  
PO BOX 90070  
CITY OF INDUSTRY CA 91715-9907**





Please visit [www.dacor.com](http://www.dacor.com) to activate your warranty online.

# WARRANTY INFORMATION

**IMPORTANT:**

Your warranty will not be activated until you activate it online or return this form to Dacor. If you have purchased more than one Dacor product, please return all forms in one envelope, or activate the warranty online for each product.

Please be assured that Dacor will never sell your name or any information on this form for mailing-list purposes, as we do not consider it a proper way of expressing our gratitude for your having chosen Dacor products for your kitchen!

Owner Last Name (please print) \_\_\_\_\_ First \_\_\_\_\_ Middle Init. \_\_\_\_\_

Street \_\_\_\_\_

City \_\_\_\_\_ State \_\_\_\_\_ Zip \_\_\_\_\_

Purchase Date \_\_\_\_\_ Email \_\_\_\_\_ Phone \_\_\_\_\_

Dealer \_\_\_\_\_

City \_\_\_\_\_ State \_\_\_\_\_ Zip \_\_\_\_\_

Your willingness to take a few seconds to complete the section below will be sincerely appreciated. Thank you.

1. How were you first exposed to Dacor products? (Please check one.)

- A. T.V. Cooking Show
- B. Magazine
- C. Appliance Dealer Showroom
- D. Kitchen Dealer Showroom
- E. Home Show
- F. Builder
- G. Architect/Designer
- H. Another Dacor Owner
- I. Model Home
- J. Other \_\_\_\_\_

2. Where did you buy your Dacor appliances?

- A. Appliance Dealer
- B. Kitchen Dealer
- C. Builder Supplier
- D. Builder
- E. Other \_\_\_\_\_

3. For what purpose was the product purchased?

- A. Replacement only
- B. Part of a Remodel
- C. New Home
- D. Other \_\_\_\_\_

4. What is your household income?

- A. Under \$75,000
- B. \$75,000 – \$100,000
- C. \$100,000 – \$150,000
- D. \$150,000 – \$200,000
- E. \$200,000 – \$250,000
- F. Over \$250,000

5. What other brands of appliances do you have in your kitchen?

- A. Cooktop \_\_\_\_\_ C. Dishwasher \_\_\_\_\_
- B. Oven \_\_\_\_\_ D. Refrigerator \_\_\_\_\_

6. Would you buy or recommend another Dacor product?

- Yes
- No

Comments \_\_\_\_\_

\_\_\_\_\_  
\_\_\_\_\_

Thank you very much for your assistance. The information you have provided will be extremely valuable in helping us plan for the future and in giving you the support you deserve.



cut here

cut here