



Installation Instructions

Heritage Warming Drawers

EWD24SCH, EWD27SCH, EWD30SCH, HWD24PS, HWD27PS,
HWD30PS, HWDF30S, IWD24, IWD27, IWD30, OWD24S

Table of Contents

| | | | |
|-------------------------------------------------------|----------|----------------------------------------------|----------|
| Important Safety Instructions | 1 | Installation Instructions | 6 |
| Important Information About Safety Instructions | 1 | Removing the Drawer | 6 |
| General Safety Precautions | 1 | Installing the Chassis | 6 |
| Installation Specifications | 2 | Re-installing the Drawer | 7 |
| Verifying the Package Contents | 2 | Installing the Towel Rack (OWD24 Only) | 7 |
| Installation Planning | 2 | Verify Function | 8 |
| Installing the Support Platform | 6 | Installation Checklist | 8 |
| Electrical/Environmental Specifications | 6 | | |

Before You Begin...

Important:

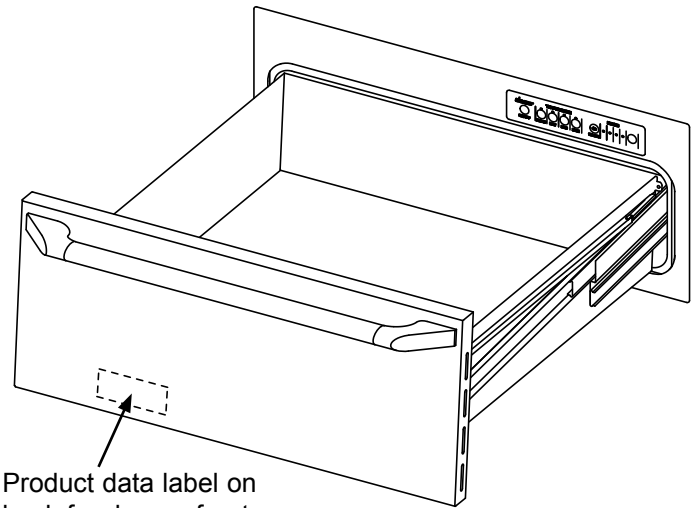
Installer: In the interest of safety and to minimize problems, read these installation instructions completely and carefully before you begin the installation process. Leave these installation instructions with the customer.

Customer: Keep these installation instructions for future reference and the local electrical inspector's use.

If you have questions or installation/repair/warranty issues, contact Dacor Customer Assurance. Have available the drawer's model and serial numbers, which are on the product data label on the inside front of the drawer.

Dacor Customer Assurance

Phone: 833-35-ELITE (833-353-5483) USA, Canada
M – F 5:00 a.m. to 5:00 p.m. Pacific Time
Website: www.dacor.com/customer-care/contact-us



Important Safety Instructions

Important Information About Safety Instructions

- The **Important Safety Instructions** and warnings in this guide cannot cover all possible issues and conditions. Be sensible and cautious when installing/maintaining/operating this or any other appliance.
- Always contact the Dacor Customer Service Team about problems and conditions that you do not understand.

Safety Symbols and Labels

DANGER

Immediate hazards that **WILL** result in severe personal injury or death.

WARNING

Hazards or unsafe practices that **COULD** result in severe personal injury or death.

CAUTION

Hazards or unsafe practices that **COULD** result in minor personal injury or property damage.

General Safety Precautions

To reduce risk of fire, electric shock, serious injury or death when using your appliance, follow basic precautions, including the following:

WARNING

- Model OWD24, when installed as a towel warmer, must be installed indoors and have the supplied wire rack installed in the drawer bottom according to these instructions.
- Do not install or operate a product that is damaged, has a damaged power cord or plug, or is malfunctioning in any manner. Return the appliance to the nearest authorized service facility for examination, repair or adjustment.
- Make sure that the appliance has been properly installed and grounded by a qualified installer according to the accompanying installation instructions. Have the installer show you the location of the electrical outlet so that you know where to disconnect power to the appliance.
- Do not repair or replace any part of the warming drawer unless specifically recommended in the literature accompanying it. All other service should be done by a qualified technician.
- Use of accessory attachments not recommended by the appliance manufacturer may cause injuries.
- Make sure the warming drawer is used only by those individuals who are able to operate it properly.
- Do not tamper with the controls.
- Never allow anyone, including children to sit, stand or climb on any part of the appliance, including the drawer. Doing so may cause tipping, damage, serious injury or death.
- Do not leave children unattended in the area around the appliance. Do not allow children to operate it, play with the controls, pull on the handle or touch other parts. Do not store items of interest to children above the warming drawer. Children could be burned or injured while climbing on the appliance.

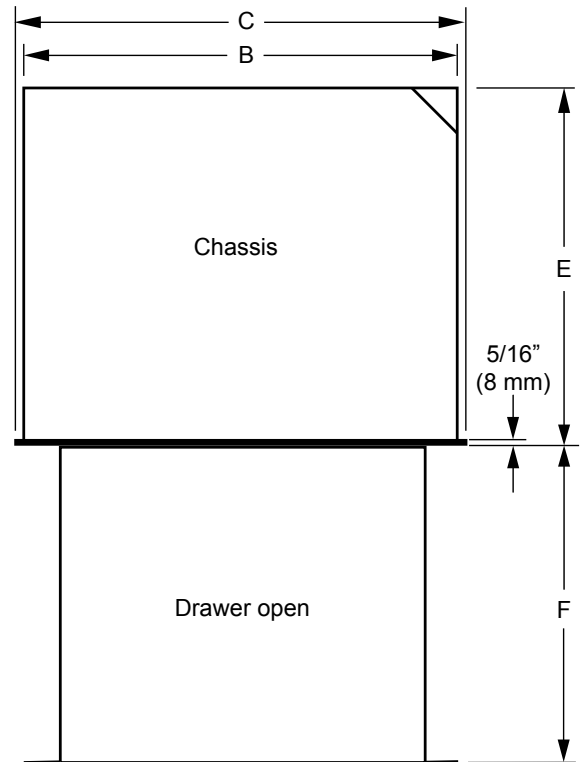
Installation Specifications

Verifying the Package Contents

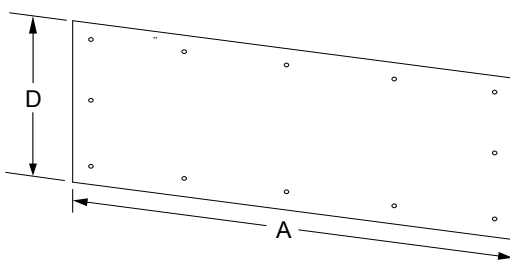
- (3) mounting screws - PN 83569
- Wire rack with mounting hardware (OWD24 only)
(1) PN 83619 (screw), (1) PN 83267 (clamp)

Installation Planning

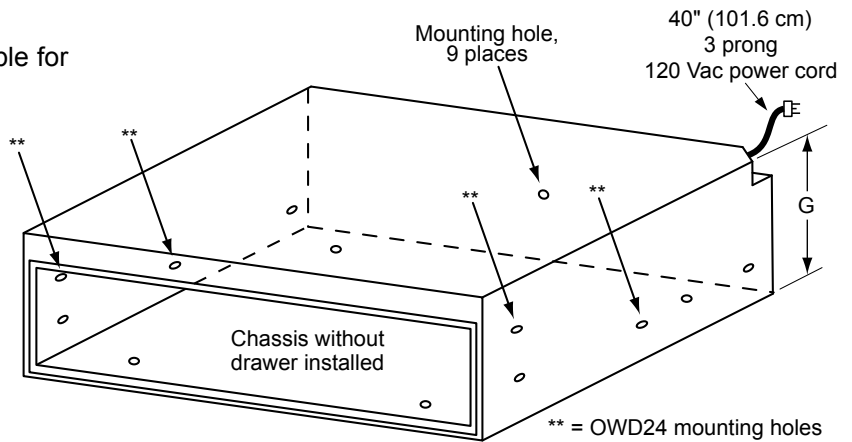
- A qualified technician must install this built-in appliance. Proper installation is the customer's responsibility.
- Carefully check the drawer's installation space to ensure the drawer is easily accessible and that electrical power can be provided to the location. Install the warming drawer in *wood* cabinets only.
- Plan the installation so all minimum clearances are met/exceeded. Dimensions shown provide minimum clearances unless otherwise noted. Ensure the drawer can be fully opened without impediment.
- The specified minimum cabinet depth and width must be provided. The cabinet depth and width must completely enclose the recessed portion of the drawer.
- Cabinet cutout dimensions must be used as indicated. All contact surfaces between the appliance and the cabinet must be solid and level. The drawer-support platform must be flush with the bottom edge of the cabinet cutout.
- Make certain that you have everything necessary to ensure a proper installation before proceeding.
- A custom front panel is required for IWD series models and optional for OWD24.
- An optional Epicure® style front panel kit is available for model OWD24.



Overall Dimensions - IWD/OWD Series
Top View



Drawer Face Dimensions
(IWD/OWD Series)



Chassis Dimensions (IWD/OWD Series)

| Model | A (Drawer Face Width) | B (Chassis Width) | C (Chassis Face Width) | D (Drawer Face Height) | E (Chassis Depth) | F (Drawer Depth) | G (Chassis Height) |
|-------|-----------------------|-------------------|------------------------|------------------------|-------------------|---------------------|--------------------|
| IWD24 | 22 5/16" (56.7 cm) | 22 1/4" (56.5 cm) | 22 3/8" (56.8 cm) | | | | |
| IWD27 | 25 5/16" (64.3 cm) | 25 1/4" (64.1 cm) | 25 3/8" (64.5 cm) | 8 15/16" (22.7 cm) | 23 3/8" (59.4 cm) | 23 13/16" (60.5 cm) | 9 1/16" (23.0 cm) |
| IWD30 | 28 5/16" (71.9 cm) | 28 1/4" (71.8 cm) | 28 3/8" (72.1 cm) | | | | |
| OWD24 | 22 1/2" (57.1 cm) | 22 1/2" (57.1 cm) | 22 1/2" (57.1 cm) | 11 7/8" (30.2 cm) | 20" (50.8 cm) | 18" (45.7 cm) | 11 7/8" (30.2 cm) |

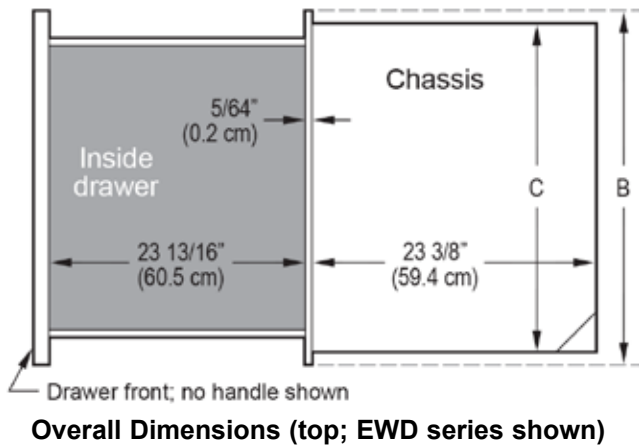
See next page for chassis dimensions for other models

Installation Specifications

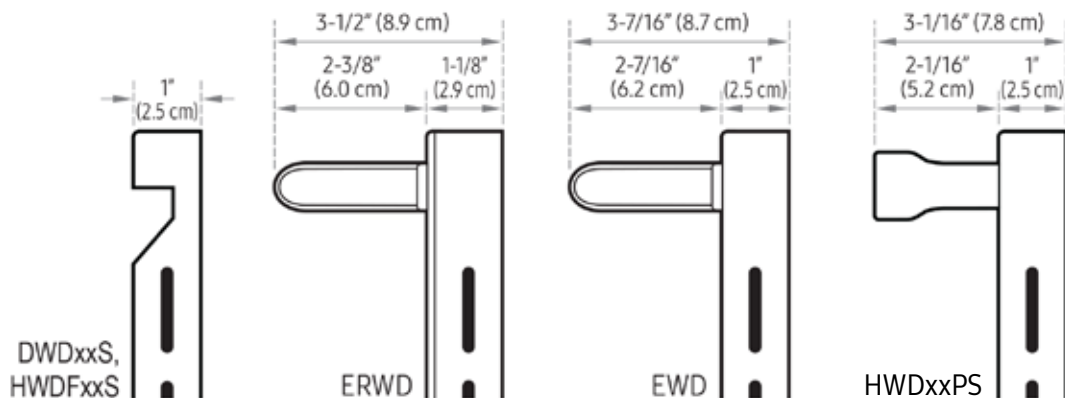
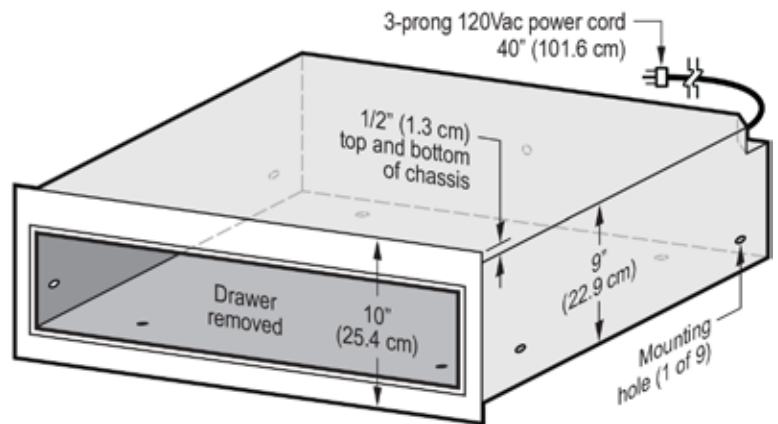
Drawer face heights are 10 1/8" (25.7 cm) x width dimension (A); see Warming Drawer Overall Dimensions table (right) for "A" dimensions for all drawer models

| Warming Drawer Overall Dimensions* | | | |
|------------------------------------------------|-----------------------|------------------------|-------------------|
| Model | (A) Drawer Face Width | (B) Chassis Face Width | (C) Chassis Width |
| EWD24 HWD24PS | 24" (61.0 cm) | 23 5/8" (60.0 cm) | 22 1/4" (56.5 cm) |
| ERWD27 EWD27 HWD27PS | 27" (68.6 cm) | 26 5/8" (67.6 cm) | 25 1/4" (64.1 cm) |
| DWD30 ERWD30 EWD30 HWD30PS HWDF30S | 30" (76.2 cm) | 29 5/8" (75.2 cm) | 28 1/4" (71.8 cm) |

*See Pg. 3 for IWD & OWD series chassis dimensions

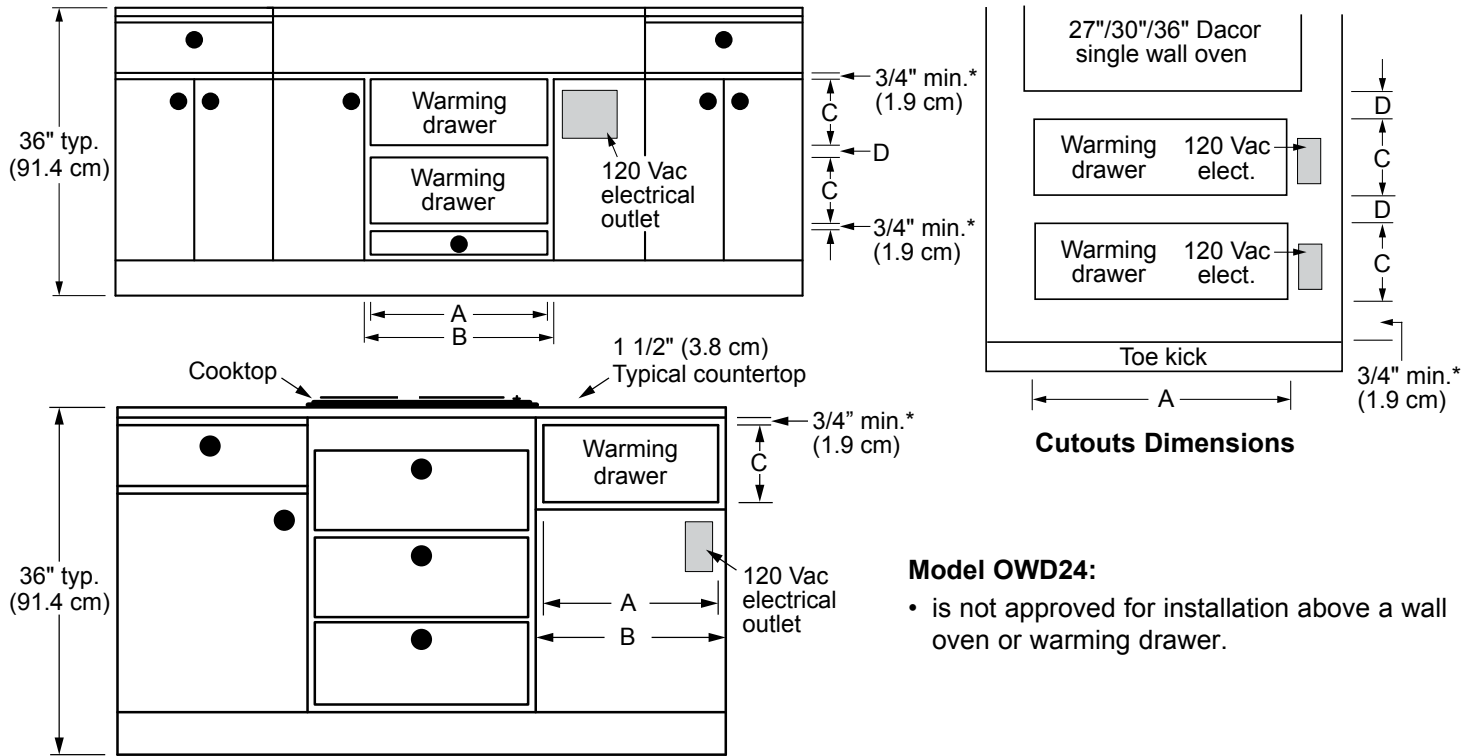


Chassis Dimensions



Handle Dimensions

Installation Specifications



| Model | (A) Cutout Width | (B) Min. Width to Adjacent Doors/Drawers | (C) Cutout Height | (D) Minimum Vertical Gap Between Cutouts | Minimum Cutout Depth |
|-----------|-------------------|------------------------------------------|---------------------|------------------------------------------|----------------------|
| DWD30 | 28 1/2" (72.4 cm) | 30 1/4" (76.8 cm)* | 9 1/8" (23.2 cm) | 1 1/4" (3.2 cm)* | 24" (61.0 cm) |
| EWD24 | 22 1/2" (57.2 cm) | 24 1/4" (61.6 cm)* | | | |
| EWD27 | 25 1/2" (64.8 cm) | 27 1/4" (69.2 cm)* | | | |
| EWD30 | 28 1/2" (72.4 cm) | 30 1/4" (76.8 cm)* | | | |
| ERWD27 | 25 1/2" (64.8 cm) | 27 1/4" (69.2 cm)* | | | |
| ERWD30 | 28 1/2" (72.4 cm) | 30 1/4" (76.8 cm)* | | | |
| HWD24PS | 22 1/2" (57.2 cm) | 24 1/4" (61.6 cm)* | | | |
| HWD27PS | 25 1/2" (64.8 cm) | 27 1/4" (69.2 cm)* | | | |
| HWD30PS | 28 1/2" (72.4 cm) | 30 1/4" (76.8 cm)* | | | |
| HWDF30S | 28 1/2" (72.4 cm) | 30 1/4" (76.8 cm)* | | | |
| IWD24 | 22 1/2" (57.2 cm) | ** | 9 1/8" (23.2 cm) | 1 1/16" (2.7 cm) | 20 1/8" (51.1 cm) |
| IWD27 | 25 1/2" (64.8 cm) | ** | | | |
| IWD30 | 28 1/2" (72.4 cm) | ** | | | |
| OWD24**** | 22 5/8" (57.5 cm) | 24 1/4" (61.6 cm)*** | 11 15/16" (30.3 cm) | NA | 20 1/8" (51.1 cm) |

*Bare minimum spacing for ventilation and to avoid scraping on DWD, ERW, EWD models; **IWD models or OWD24 without optional front-panel kit: Chassis and drawer faceplate are smaller than cutout; custom front panel mounts to drawer faceplate; height and width of custom front panel must exceed cutout dimensions (A, C above) to cover hole; allow 1/4" minimum added space on top, bottom and sides from the custom front panel edge to prevent scraping against adjacent doors, drawers, and countertop; ***OWD24 with optional factory front-panel kit only; bare minimum spacing shown to avoid scraping; gap above and below cutout is 3/4" min. (See ** above for OWD24 with custom front panel); ****OWD24 cannot be installed above/below/adjacent to a wall oven or warming drawer of any types.

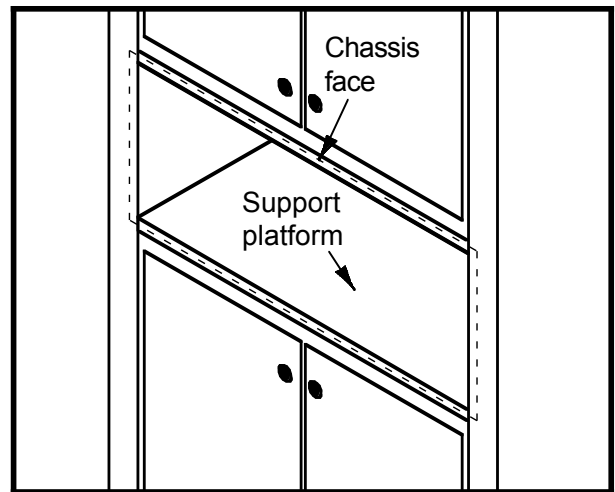
Installation Specifications

Installing the Support Platform

Provide a platform (100-lb. load capacity) within the cabinet upon which the warming drawer will be supported; 3/4" (1.9 cm) thick plywood is recommended. The platform must be installed level and straight. (No provision is made for leveling the drawer after installation.)

NOTE: If the drawer is installed out of level, it may slide open on its own or may not seal tightly, thus limiting the drawer's ability to warm food.

The top edge of the platform must be flush with the cutout at the front of the cabinet.



Electrical/Environmental Specifications

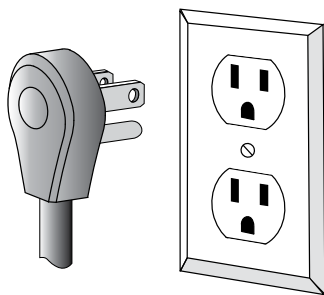
WARNING

IMPORTANT: This appliance is equipped with a 3-prong grounding electric plug for protection against electric shock. It must be plugged into a dedicated, grounded, electrical outlet. If only a 2-prong electrical outlet is available, it is the customer's responsibility to have it replaced with the appropriate outlet.

To avoid an electric shock hazard, do *not* under any circumstances:

- cut/remove the power cord's third (ground) prong
- use an adapter plug
- use a power cord that is frayed or damaged
- immerse the power cord or plug in any type of liquid
- connect the appliance to an extension cord.

NOTE: Using a ground fault interrupter (GFI) is not recommended.



3-prong plug and corresponding grounded outlet

- Minimum ambient operating temperature: 32°F (0°C).
- The correct voltage, frequency, and amperage must be supplied to the electrical outlet from a grounded, single-phase circuit protected by a properly sized circuit breaker or time-delay fuse.
- The required voltage, frequency, and amperage ratings appear on the product-data label. (See Pg. II for location).

Nominal Electrical Supply Requirements

120 Vac, 60 Hz, 15 Amp., dedicated circuit

The warming drawer is supplied with a 40" (101.6 cm) power cord with a three prong grounded plug.

Total Connected Load 0.5 kW (4 Amp.)

- The above power-supply requirements are for reference only. Always use the requirements on the appliance label.
- The owner ensure the electrical outlet is installed by a qualified electrician; the installation must comply with the latest revision of the National Electric Code ANSI/NFPA 70, and local codes and ordinances.
- If the electrical service provided does not meet the product specification, or does not conform to the NEC or local standards, call a licensed electrician to correct the electrical service before proceeding with the installation.
- Install the electrical outlet in an accessible location so the warming drawer may be easily unplugged for servicing.
- Keep the electrical cord away from hot surfaces.

Installation Instructions

WARNING

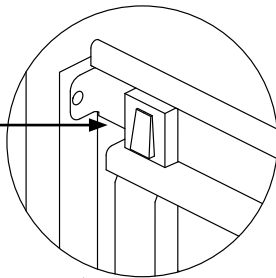
- To avoid personal injury caused by the appliance falling forward when the drawer is opened, secure the chassis to the cabinet and support platform as instructed.
- Be certain that the power plug is disconnected from the electrical outlet before installation.
- Verify that the electrical supply matches the ratings found on the appliance data plate and the installation specifications before proceeding.

Removing the Drawer

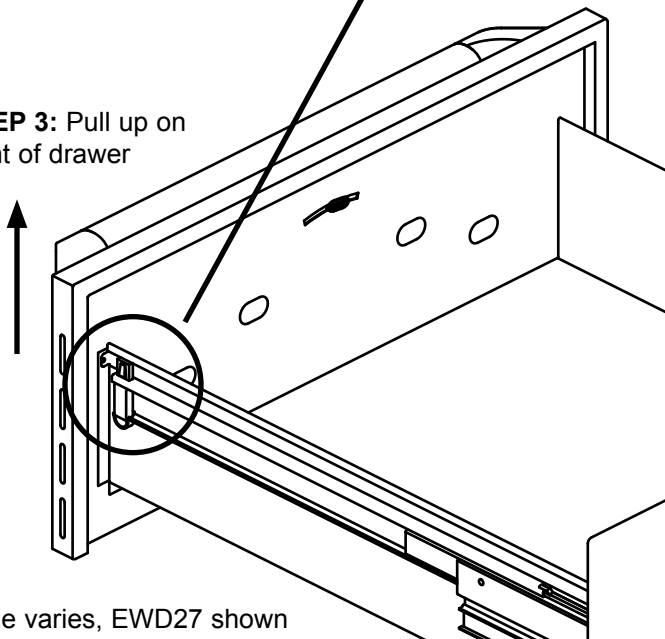
Remove the drawer from the appliance to allow access to the mounting holes during installation, and to reduce weight:

1. Pull the drawer out to the fully open position.
2. Push in on the locking tab on one side as you pull the drawer up.
3. When the drawer comes loose from the slide, repeat the same process on the opposite side.
4. Grip the drawer on both sides and pull it free.
5. For safety, push both drawer slides into the drawer opening.

STEP 2: Push locking tab



STEP 3: Pull up on front of drawer

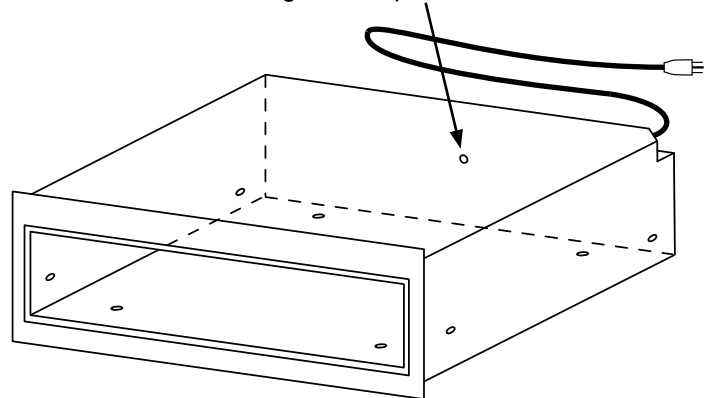


Style varies, EWD27 shown

Installing the Chassis

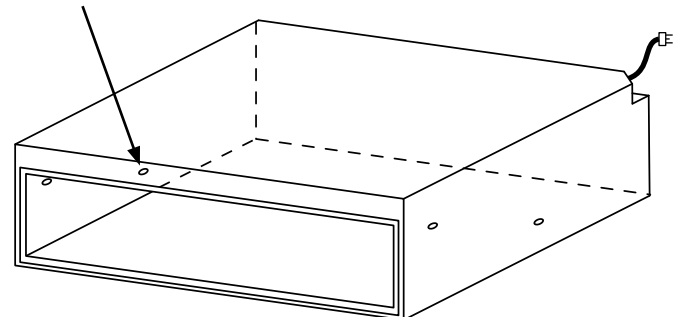
1. Grasp the warming drawer chassis on opposite sides and slide it partially into the cabinet opening. Temporarily support the chassis in place so that it will not tilt or fall.
2. From an adjoining cabinet, reach in behind the drawer and pull the power cord until the plug is next to the electrical outlet. Do not plug in the power cord at this time.
3. After positioning the power cord and plug, slide the chassis completely into the cabinet until the front frame is positioned flush against the cabinet face.
4. Use the screws provided to secure the warming drawer chassis to the cabinet and support platform, insert them into the mounting holes and tighten into place. You may want to drill pilot holes prior to installing the mounting screws.

Mounting hole, 9 places



Mounting Hole Locations - ERW, EWD, IWD, MRW, and MWD, and RNWD Series Models
(IWD series models do not have a flange around the edge of the faceplate)

Mounting hole, 4 places



Mounting Hole Locations - OWD24

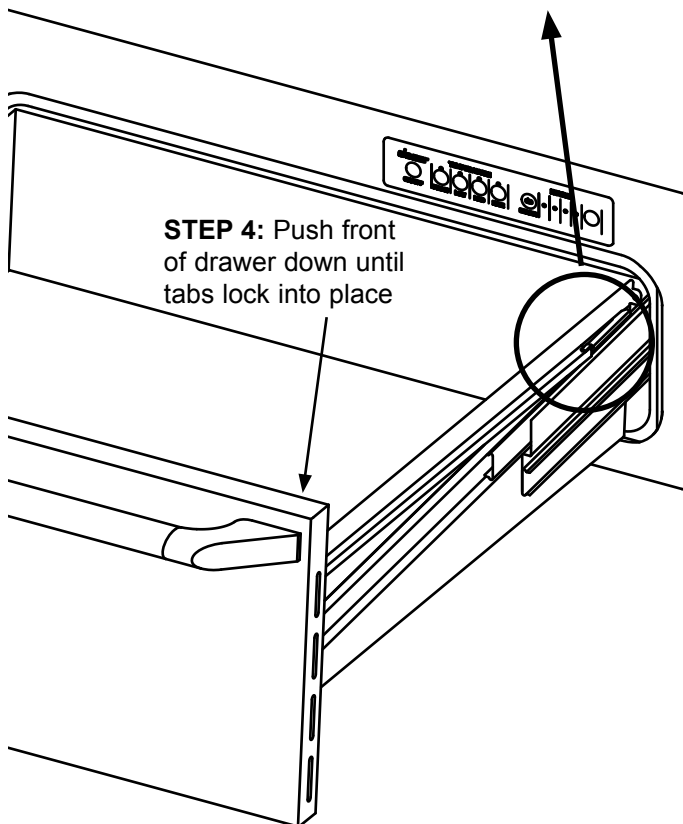
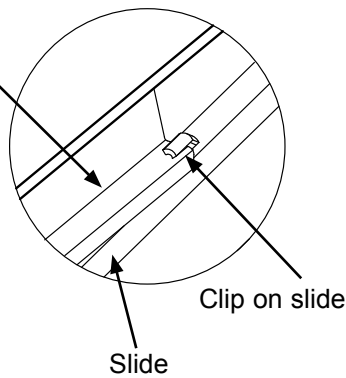
Continued...

Installation Instructions

Re-installing the Drawer

1. Pull the drawer slides all the way out of the drawer opening.
2. Gently lower the drawer between the extended slides until it is suspended by them.
3. Slide the back of the drawer mounting brackets under the drawer mounting clips on the slides.
4. Push one side of the drawer down onto its locking tab, until the tab locks into place.
5. Repeat the same process on the opposite side.
6. Gently open and close the drawer to make sure that it is properly installed.

STEP 3: Slide mounting bracket under clip on slide

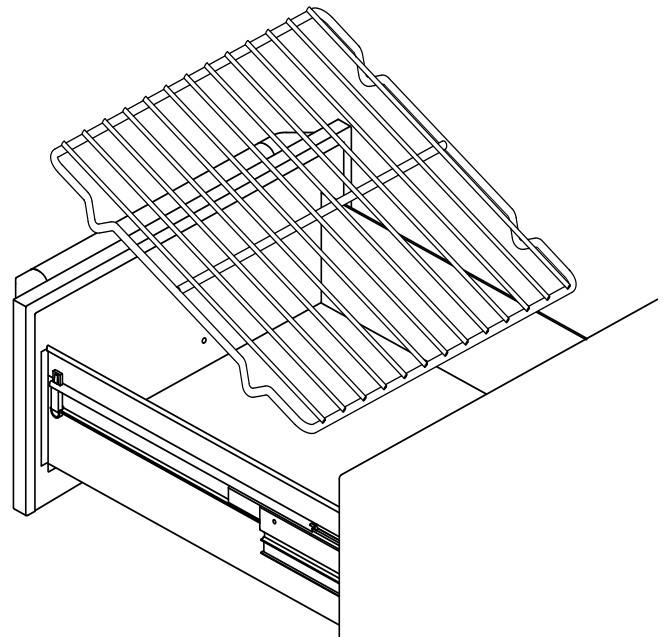


Installing the Towel Rack (OWD24 Only)

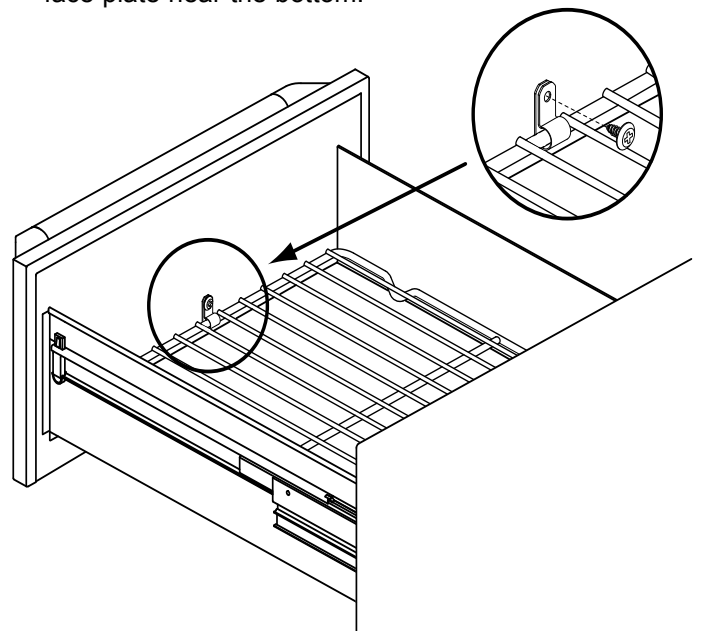
Model OWD24 is designed so that it can be used as a towel warmer if desired. Other models are not equipped for this application. To use model OWD24 as a towel warmer, you must install the towel rack included with the unit in the bottom of the drawer.

To install the towel rack:

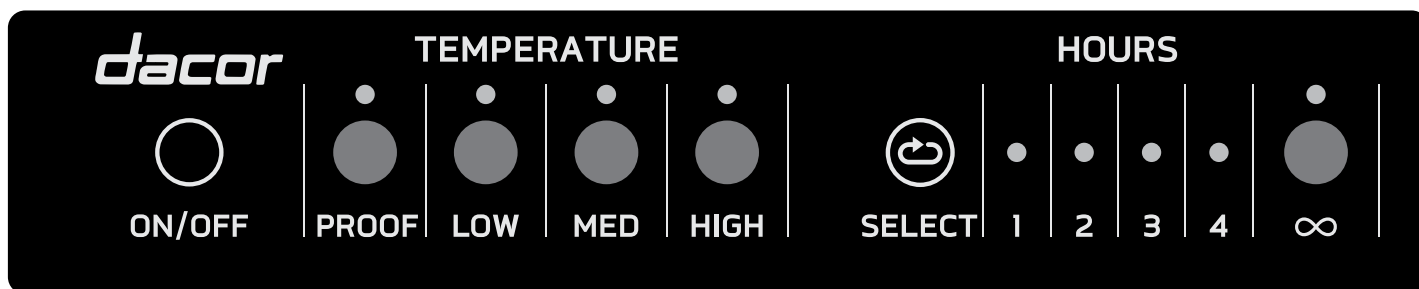
1. Open the drawer completely.
2. Insert the towel rack into the drawer in the orientation shown below.



3. Use the clamp and screw included with the rack to attach it to the back of the drawer face as shown below. There is a hole for the screw in the back of the face plate near the bottom.



Installation Instructions



Warming Drawer Control Panel Layout

Verifying Function

1. Connect power plug to the electrical outlet.
2. Open the drawer and press the **ON/OFF** key on the control panel.
3. Press the **PROOF**, **LOW**, **MED** and **HIGH** keys each in turn. When you press each key, the indicator directly above it should light. Leave the control panel set to **HIGH**.
4. Press the **SELECT** key. The **1 HOUR** indicator should light. Press and release the **SELECT** key three (3) more times. Each time you press the **SELECT** key, the **2 HOUR**, **3 HOUR** and **4 HOUR** indicator lights should come on. All lights should be on after pressing the **SELECT** key the third time.
5. Press the "∞" key. The indicator light above it should come on and the **1**, **2**, **3** and **4 HOUR** lights should go out.
6. The warming drawer should begin to heat. You should begin to feel the inside of the drawer begin to heat within five (5) to ten (10) minutes.
7. When you have determined that the heating element is working, press the **ON/OFF** key.

If the warming drawer does not operate properly, follow these troubleshooting steps:

- Verify that the circuit breaker for the electrical outlet is on and not tripped. Make sure the power plug is connected.
- Repeat the above tests.
- If the appliance still does not work, contact Dacor Customer Assurance: 833-35-ELITE (833-353-5483). Do not attempt to repair the appliance yourself. Be sure to have the model and serial numbers available when you call. See page II for model/serial number location.

Dacor is not responsible for the cost of correcting problems resulting from a faulty installation.

Installation Checklist

WARNING

- To ensure a safe and proper installation, the following checklist should be completed by the installer to ensure that no part of the installation has been overlooked.
- Proper installation is the responsibility of the homeowner. The importance of proper installation of your warming drawer cannot be overemphasized.

- Support platform has been installed according to the instructions on page 5.
- Properly grounded, dedicated, three prong electrical outlet has been installed for the appliance by a licensed electrician. See page 5.
- The chassis has been properly fastened to the support platform and sides of the cabinet. See page 6.
- The drawer has been properly installed. See page 7.
- Model OWD24 for use as towel warmer: The towel rack has been installed. See page 7.
- Proper operation has been verified?
- The warranty has been activated on-line or the warranty card filled out completely and mailed?
- Save these instructions for future reference.

Notes

dacor

LET THE SHOW BEGIN