

DTCT304, DTCT365, DTCT466

Document # PG04-008

Revised 11/05/15 Page 1/3



Distinctive® 30", 36" and 46" Wide Drop-in Gas Cooktops

PLANNING GUIDE

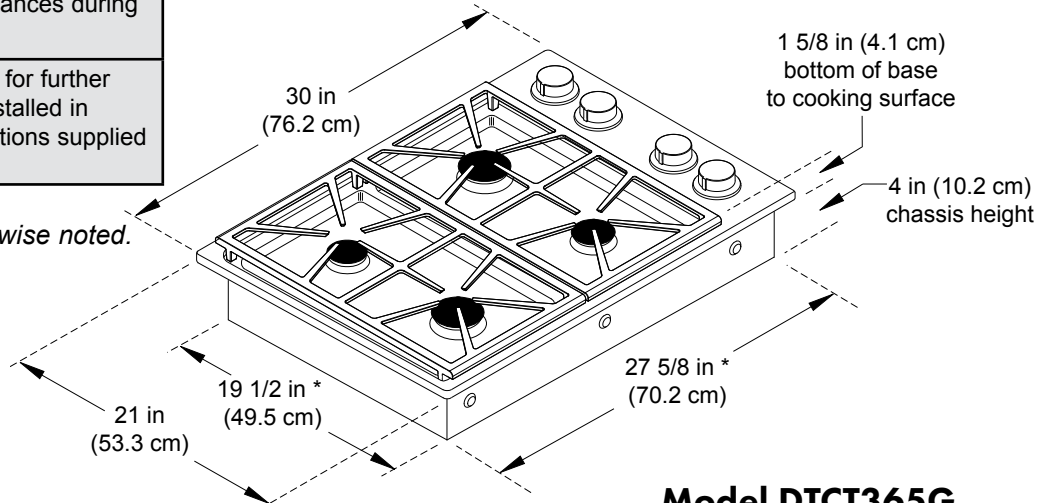
WARNING

Observe all governing codes and ordinances during planning and installation.

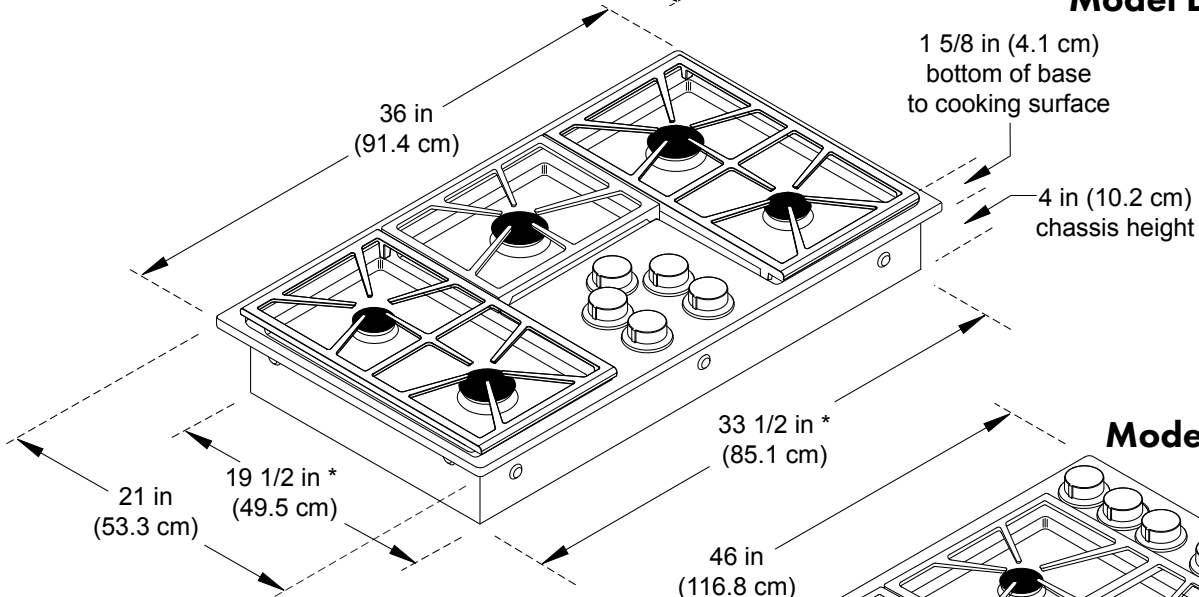
Contact your local building department for further information. This appliance must be installed in accordance with the installation instructions supplied with the unit.

All tolerances: $\pm 1/16$ " unless otherwise noted.

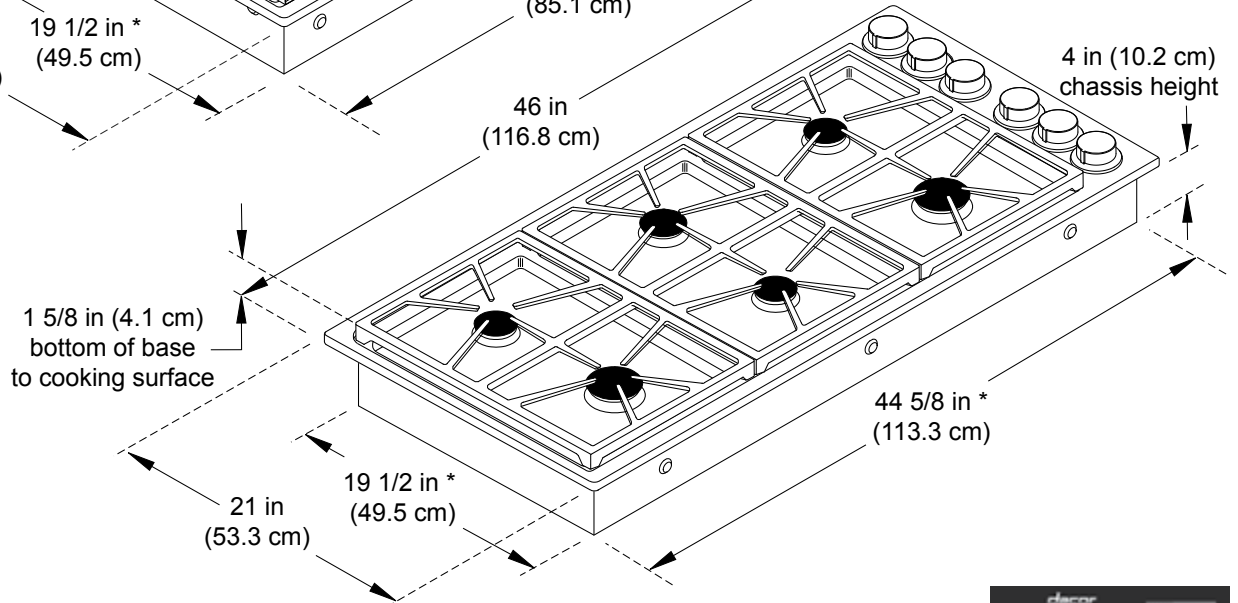
Model DTCT304G



Model DTCT365G



Model DTCT466G



* including raised embosses on sides of chassis



DTCT304, DTCT365, DTCT466



Distinctive® 30", 36" and 46" Wide Drop-in Gas Cooktops

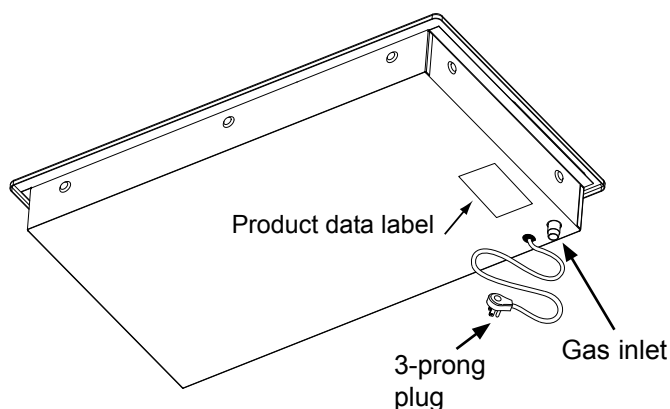
PLANNING GUIDE

Electrical Requirements



To prevent an electric shock hazard, the power supply must meet the specifications stated below. It is the owner's responsibility to make sure that the electrical service meets electrical requirements and that the electrical outlet has been properly installed by a licensed electrician.

- ◇ The cooktop is supplied with a factory installed, 40-inch, three-prong, grounding electrical plug. It is connected to the chassis at the bottom right rear corner.
Refer to the figure **Chassis Bottom** below.
- ◇ The cooktop must be connected to a dedicated, grounded three-prong electrical outlet installed by a licensed electrician.
- ◇ The electrical installation, including the supply wire size and grounding, must be done in accordance with National Electric Code ANSI/NFPA 70* and local codes and ordinances. A copy of this standard may be obtained from:
National Fire Protection Association
1 Batterymarch Park
Quincy, MA 02269-9101
- ◇ The correct voltage, frequency, and amperage must be supplied to the electrical outlet according to the product data label located on the bottom of the chassis.
- ◇ See the table **Gas and Electrical Requirements** on this page for reference.
- ◇ Be certain to choose an electrical outlet with easy access so that the power cord may be disconnected if the unit needs service.



Chassis Bottom

Gas Supply Requirements

- ◇ Ensure that the cooktop is correct for the gas being provided (natural gas or LP gas). Also, if using the cooktop at an altitude above 4000 ft. (1219 m), make sure it is equipped for high altitude operation.
- ◇ Units equipped for LP operation have "LP" in the model number listed on the product data label. See the figure **Chassis Bottom** for the label location.
- ◇ Units equipped for high altitude operation have an "H" at the end of the model number listed on the product data label.
- ◇ Check your local building codes for the proper method of installation. In the absence of local codes, this appliance should be installed in accordance with the National Fuel Gas Code ANSI Z223.1/NFPA 54.
- ◇ An external manual shut-off valve must be installed between the gas inlet and the cooktop for the purpose of turning on or shutting off gas to the appliance.
- ◇ The cooktop comes from the factory with a regulator in the shipping carton. The regulator must be installed in the gas line that runs from the cooktop gas inlet to the gas shut-off valve. Use only the regulator provided.
- ◇ Models DTCT304G and DTCT365G have a 1/2-inch regulator. Model DTCT466G has a 3/4-inch regulator, approved for connection to a 1/2 inch house gas supply.

The cooktop gas connection is located on the bottom of the cooktop, in the back right corner as you face the front of the unit. See the figure **Chassis Bottom** on this page.

Model Number	DTCT304G DTCT365G DTCT466G	DTCT304LP DTCT365LP DTCT466LP
Gas Type	Natural Gas	LP Gas
Manifold Pressure	4" Water column	10" Water column
Min. Gas Supply Pressure **	5" Water column	11" Water column
Max. Gas Supply Pressure	1/2 psi	1/2 psi
Total Connected Load	0.25 Amp. (0.03 kW)	0.25 Amp. (0.03 kW)
Circuit Requirement	120 Vac, 60 Hz, 15 Amp.	120 Vac, 60 Hz, 15 Amp.

Gas and Electrical Requirements*

* The electrical and gas data on this page is for reference only. If the above data does not agree with the product data label, use the data on the product data label.

** The gas supply pressure for testing the regulator setting shall be at least 1-inch water column (249 Pa) above the specified manifold pressure.

DTCT304, DTCT365, DTCT466



Distinctive® 30", 36" and 46" Wide Drop-in Gas Cooktops

PLANNING GUIDE

Cabinet and Countertop Layout

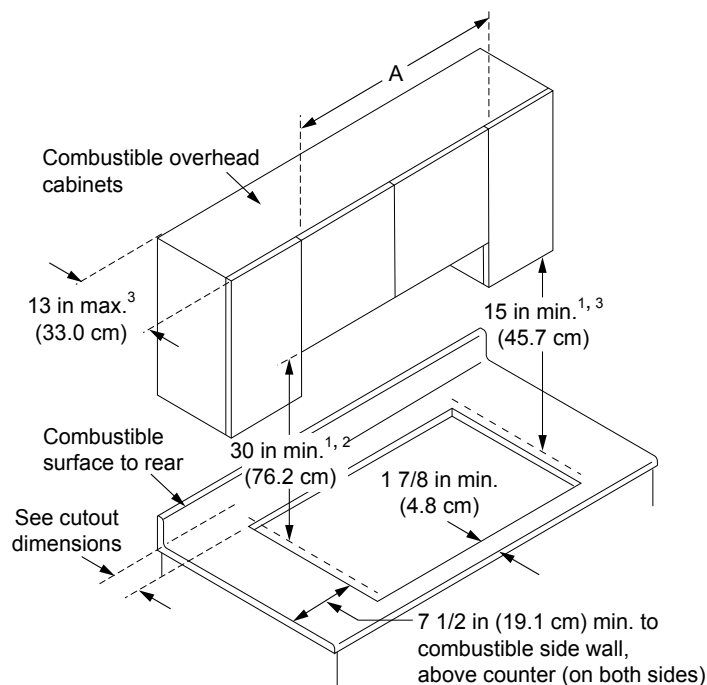
WARNING

- To reduce the risk of personal injury caused by reaching over a hot appliance, avoid locating cabinet storage space directly above the cooktop.
- Failure to meet or exceed the maximum and minimum dimensions/clearances stated in these instructions may result in a fire hazard.
- Follow the countertop manufacturer's instructions regarding the minimum corner radius, use of heat reflective tape, reinforcement of corners, etc.

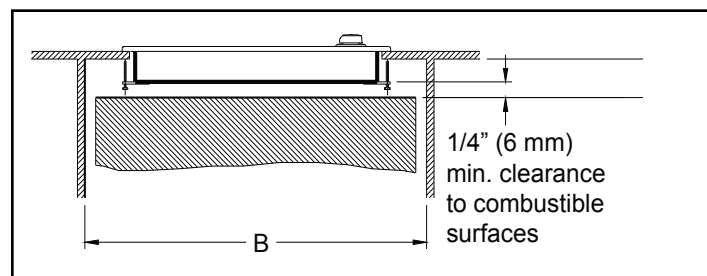
- Carefully check the location where the cooktop will be installed. For best performance, the cooktop should be placed away from drafts that may be caused by doors, windows and heating and air conditioning outlets.
- This appliance is to be used in conjunction with a suitable vent hood or approved Dacor downdraft.

CLEARANCE REQUIREMENTS		
Model	A: Minimum	A: Recommended
DTCT304G	30 in (76.2 cm)	36 in (91.4 cm)
DTCT365G	36 in (91.4 cm)	42 in (106.7 cm)
DTCT466G	46 in (121.9 cm)	54 in (137.2 cm)

All tolerances: +1/16" -0" unless otherwise noted.



¹ Measured from top of cooktop grate.
² If installing with an overhead vent hood, also check hood specifications for minimum required clearances.
³ Not applicable for cabinets more than a horizontal distance of 6 in. (15.2 cm) from edge of cooktop. Allow 7 1/2 in (19.1 cm) from edge of cutout.



- Allow a minimum 1/4 in (6 mm) clearance between
- the bottom of the cooktop chassis and
 - all combustible surfaces, including the edges and corners of drawers that sit below the cooktop.

Minimum Clearance for Hold-Down Brackets	
Model	B
DTCT304G	29 in (73.7 cm)
DTCT365G	35 1/4 in (89.5 cm)
DTCT466G	45 1/4 in (114.64 cm)

- Allow clearance for hold-down brackets.
- The gas supply piping, gas shut-off valve, and the electrical outlet must be placed so they do not interfere with the cooktop when it is installed.
- If installing another appliance in the cabinet below, allow for the routing of gas and power behind it.

The installation must allow for the following:

- Access to the gas shut-off valve and regulator after the unit is installed.
- That the 40-inch (101.6 cm) power cord must be able to reach an electrical outlet, and that outlet must be accessible when the cooktop is in place.
- Access to the underside of the cooktop for service and inspection purposes.
- Clearance inside the cabinet to allow for proper hold-down bracket installation.
- For access to the underneath of the cooktop, a fixed shelf should *not* be installed below the cooktop.

Downdraft Compatibility

If installing the cooktop with a downdraft, use only the approved Dacor model numbers specified below:

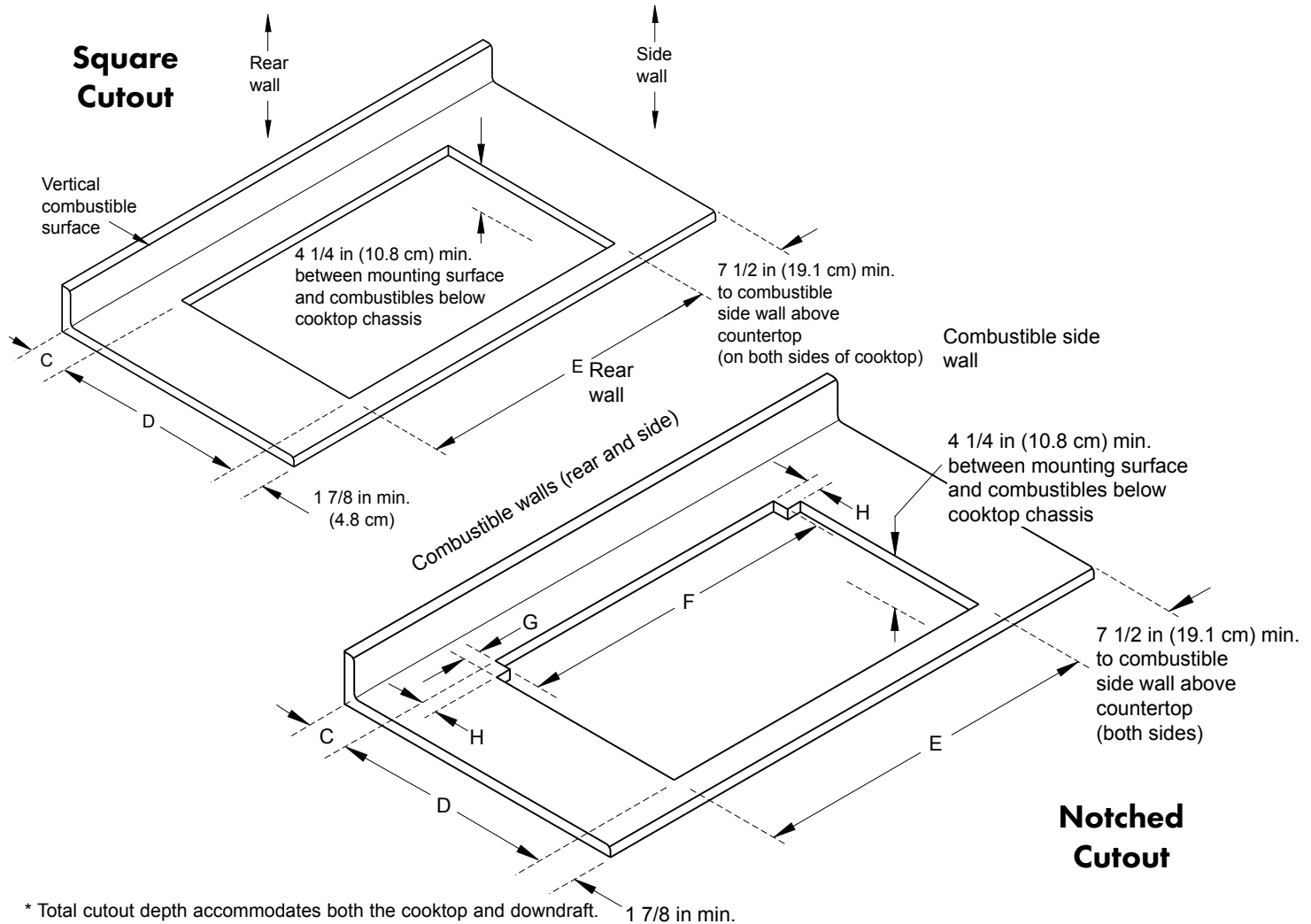
Cooktop Models:	Use with These Approved Downdraft Models:
DTCT304G	ERV3015, PRV30, RV30
DTCT365G	ERV3615, PRV36, RV36
DTCT466G	PRV46, RV46

DTCT304, DTCT365, DTCT466



Distinctive® 30", 36" and 46" Wide Drop-in Gas Cooktops

PLANNING GUIDE



* Total cutout depth accommodates both the cooktop and downdraft. 1 7/8 in min.

CUTOUT TYPE AND DIMENSIONS							
Configuration	Cutout Shape	C Min.	D	E	F	G	H
DTCT304G without downdraft	Square	2 7/8 in (7.3 cm)	19 3/4 in (50.2 cm)	27 3/4 in (68.6 cm)	NA	NA	NA
DTCT304G with ERV3015 and PRV30	Square	3/8 in (1.0 cm)	22 1/2 in (57.2 cm)*	27 3/4 in (68.6 cm)	NA	NA	NA
DTCT304G with RV30	Square	5/8 in (1.6 cm)	22 1/4 in (56.5 cm)*	27 3/4 in (68.6 cm)	NA	NA	NA
DTCT365G without downdraft	Square	2 3/8 in (6.0 cm)	19 3/4 in (50.2 cm)	33 5/8 in (85.4 cm)	NA	NA	NA
DTCT365G with ERV3615 and PRV36	Square	3/8 in (1.0 cm)	22 1/2 in (57.2 cm)*	33 5/8 in (85.4 cm)	NA	NA	NA
DTCT365G with RV36	Square	5/8 in (1.6 cm)	22 1/4 in (56.5 cm)*	33 5/8 in (85.4 cm)	NA	NA	NA
DTCT466G without downdraft	Square	2 7/8 in (7.3 cm)	19 3/4 in (50.2 cm)	44 1/2 in (113.03 cm)	NA	NA	NA
DTCT466G with PRV46	Notched	3/8 in (1.0 cm)	22 1/2 in (57.2 cm)*	44 1/2 in (113.03 cm)	43 1/2 in (110.5 cm)	5/8 in (1.6 cm)	2 5/8 in ** (6.7 cm)
DTCT466G with RV46	Notched	5/8 in (1.6 cm)	22 1/4 in (56.5 cm)*	44 1/2 in (113.03 cm)	43 1/2 in (110.5 cm)	5/8 in (1.6 cm)	2 3/8 in ** (6.0 cm)