

RNIVS1, RNIVS2, RNIVSR1, RNIVSR2



Renaissance® Integrated Ventilation System (R= remote blower style)

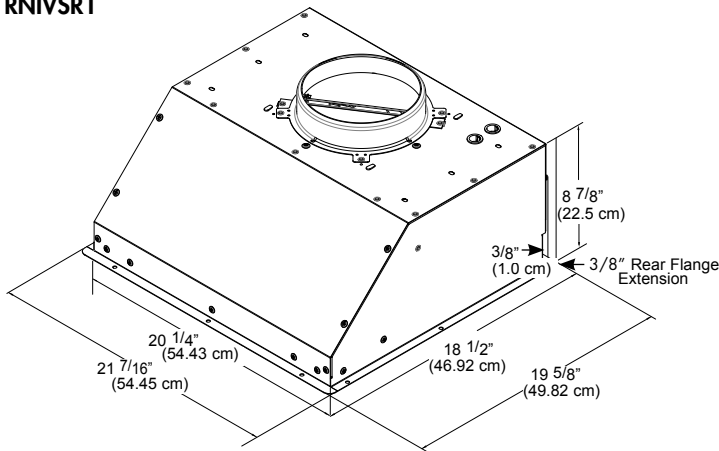
PLANNING GUIDE

⚠ WARNING

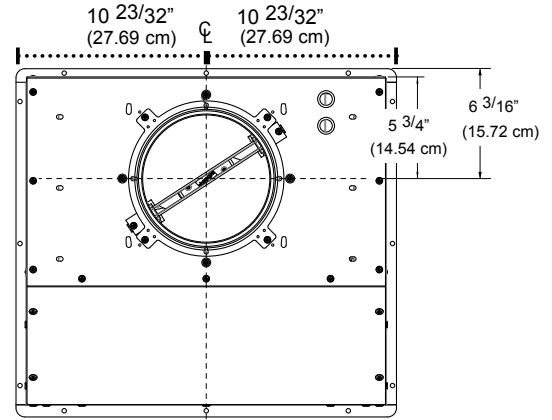
- Observe all governing codes and ordinances during planning and installation. Contact your local building department for further information.
- This appliance must be installed in accordance with the accompanying installation instructions.

All tolerances: $\pm 1/16"$ (± 1.6 mm) unless otherwise stated.

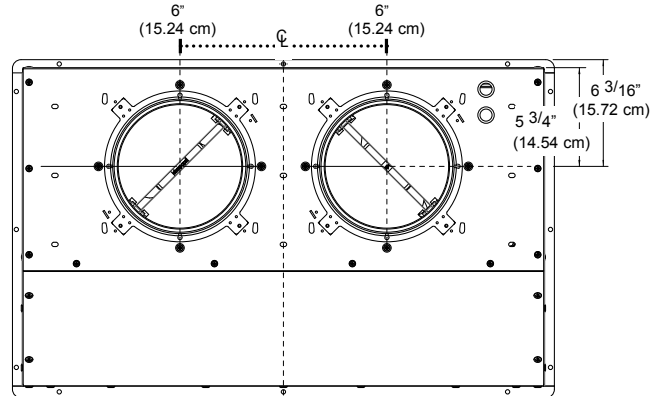
RNIVS1 & RNIVSR1



RNIVS1 & RNIVSR1 Dimensions

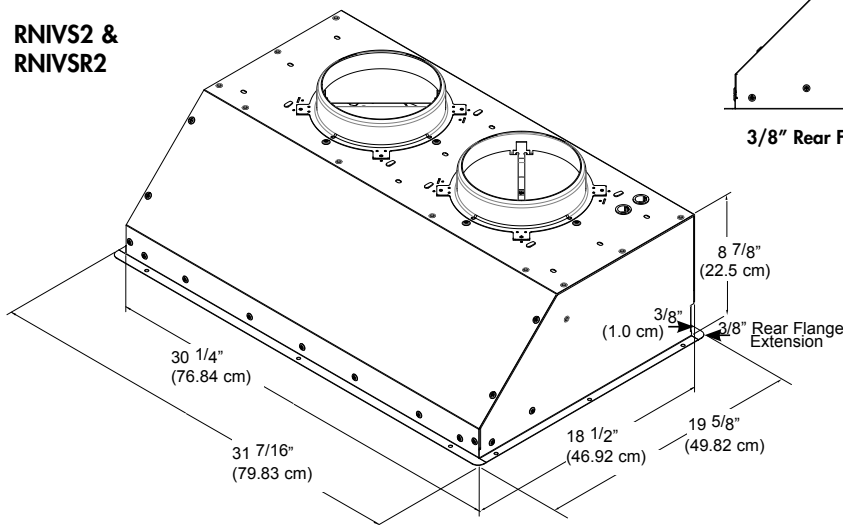


Top Centerline Dimensions

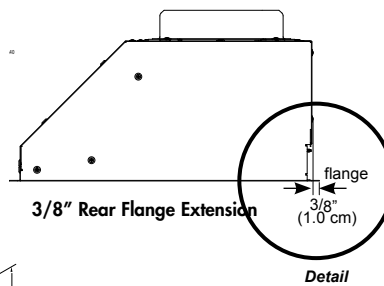


Top Centerline Dimensions

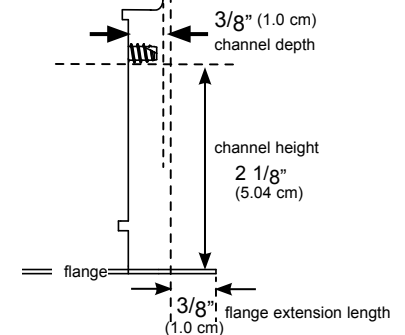
RNIVS2 & RNIVSR2



RNIVS2 & RNIVSR2 Dimensions



Detail



Rear Flange and Channel Dimensions (Side View)