



Installation Instructions

Renaissance® Integrated Hood Liner

Models RNIHL30, RNIHL36, and RNIHL48

Table of Contents

Before You Begin...	1	Installation Instructions	5
Important Safety Instructions	2	Installing the RNIHL (Hood Liner)	5
Important Information About Safety Instructions	2	Installing the RNIVS (Ventilation System)	6
General Safety Precautions	2	Verifying the Correct Setup	7
Preparation and Setup	3	Warranty Card	9
Planning the Installation	3	Warranty Information	Back Cover
Product Specifications	4		

Before You Begin...

Important:

- **Installer:** In the interest of safety and to minimize problems, read this *Installation Instruction* manual carefully and completely before you begin the installation. Leave these installation instructions with the user.

Also, write the model and serial number of the appliance(s) you are installing below so the user can reference it in the future. This information is found on the data plate(s).
- **User:** Keep this *Installation Instructions* manual for future reference and for the local electrical inspector's use.

If you have questions or problems with installation, contact your Dacor dealer or the Dacor Customer Service Team. For repairs to Dacor products under warranty, call the Dacor Distinctive Service line.

Whenever you call, have the *model and serial number* of the product(s) ready.

Dacor Customer Service

Phone: (800) 793-0093, extension 2813 (U.S.A. and Canada)
Monday — Friday 6:00 A.M. to 5:00 P.M. Pacific Time

Website: www.dacor.com

Dacor Distinctive Service (repairs under warranty only)

Phone: (800) 793-0093, extension 2822 (U.S.A. and Canada)
Monday — Friday 6:00 A.M. to 5:00 P.M. Pacific Time

Important Safety Instructions

Important Information About Safety Instructions

- The **Important Safety Instructions** and warnings in these instructions are not meant to cover all possible problems and conditions that can occur. Use common sense and caution when installing, maintaining, or operating this or any other appliance.
- Always contact the Dacor Customer Service Team about problems and conditions that you do not understand.

Safety Symbols and Labels

These alerts are meant to bring attention to important areas in the manual. Whenever you see these symbols or labels, read the message carefully before continuing.

DANGER

Immediate hazards that **WILL** result in severe personal injury or death.

WARNING

Hazards or unsafe practices that **COULD** result in *severe* personal injury or death.

CAUTION

Hazards or unsafe practices that **COULD** result in *minor* personal injury or property damage.

General Safety Precautions

TO REDUCE THE RISK OF FIRE, ELECTRIC SHOCK, OR INJURY TO PERSONS, OBSERVE THE FOLLOWING:

1. Use this unit only in the manner intended by the manufacturer. If you have questions, contact the manufacturer.
2. Before servicing or cleaning unit, switch power OFF at service panel and lock the service disconnecting means to prevent power from being switched on accidentally. When the service disconnecting means cannot be locked, securely fasten a prominent warning device, such as a tag, to the service panel. Exception: The additional safety instructions do not apply to a ceiling-suspended fan.

TO REDUCE THE RISK OF A RANGE TOP GREASE FIRE:

1. Never leave surface units unattended at high settings. Boilovers cause smoking and cause greasy spillovers that could ignite. Heat oils slowly on low or medium settings.
2. Always turn hood ON when cooking at high heat or when cooking flaming foods.
3. Clean ventilating fans frequently. Grease should not be allowed to accumulate on fan or filter.
4. Use proper pan size. Always use cookware appropriate for the size of the heating element.

TO REDUCE THE RISK OF INJURY TO PERSONS IN THE EVENT OF A RANGE TOP GREASE FIRE, OBSERVE THE FOLLOWING*:

1. SMOTHER FLAMES with a close-fitting lid, cookie sheet, or metal tray, then turn the burner OFF. BE CAREFUL TO PREVENT BURNS. If the flames do not go out immediately, EVACUATE AND CALL THE FIRE DEPARTMENT.
2. NEVER PICK UP A FLAMING PAN - You may be burned.
3. DO NOT USE WATER, including wet dishcloths or towels - a violent steam explosion will result.
4. Use an extinguisher ONLY if:
 - a) You know you have a Class ABC extinguisher, and you already know how to operate it.
 - b) The fire is small and contained in the area where it started.
 - c) The fire department is being called.
 - d) You can fight the fire with your back to an exit.

*From "Kitchen Fire Safety Tips" published by NFPA.

Preparation and Setup

Planning the Installation

The Renaissance® series (RN) Integrated Hood Liner (RNIHL) is made from of non-combustible stainless steel. Its dimensions and design make it an excellent component for any custom hood.

These liners fit the Renaissance® Integrated Ventilation Systems (RNIVS) shown in the table below.

Compatibility		
Liner Model	Renaissance® RNIVS Model	
RNIHL30	RNIVS1	RNIVSR1
RNIHL36	RNIVS1	RNIVSR1
RNIHL48	RNIVS2	RNIVSR2

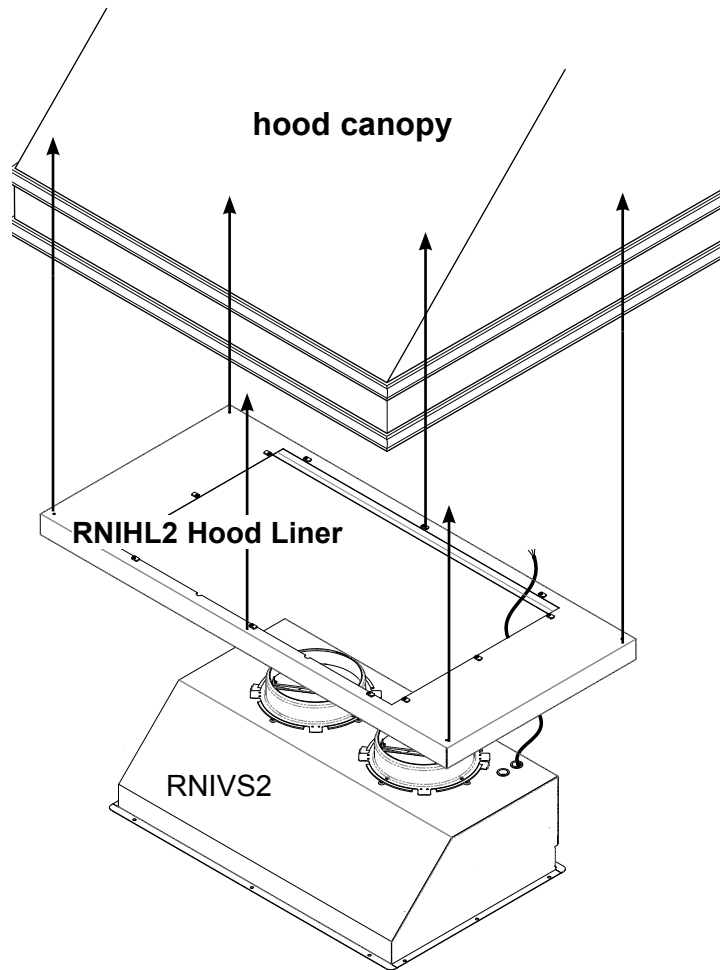
See the RNIVS *Installation Instructions* manual for details and specifications.

Renaissance RNIVS Model#	Weight
RNIVS1	28 lb. (12.70 kg)
RNIVS2	44 lb. (20 kg)
RNIVSR1	23.35 lb. (10.60 kg)
RNIVSR2	37.4 lb. (17 kg)

Renaissance RNIHL Model#	Weight
RNIHL30	5 lb. (2.3 kg)
RNIHL36	5.5 lb. (2.5 kg)
RNIHL48	7 lb. (3.18 kg)

For general cooking ventilating use only. Do not use to exhaust hazardous or explosive materials and vapors.

- Read and follow the complete RNIVS *Installation Instructions* manual to correctly install your custom hood ventilation system.
- Follow all electrical requirements specified in the RNIVS *Installation Instructions*.
- The Renaissance® RNIHL Series Hood Liner has no electrical parts.
- Plan the installation so that all minimum clearances are met or exceeded.
- The RNIVS is attached using the lock washers and bolts provided with the RNIHL liner. Quantity varies according to the RNIHL liner model.
- The RNIHL liner is designed for vertical exhaust duct (VED) configurations only.



Planning a Hood Liner Installation

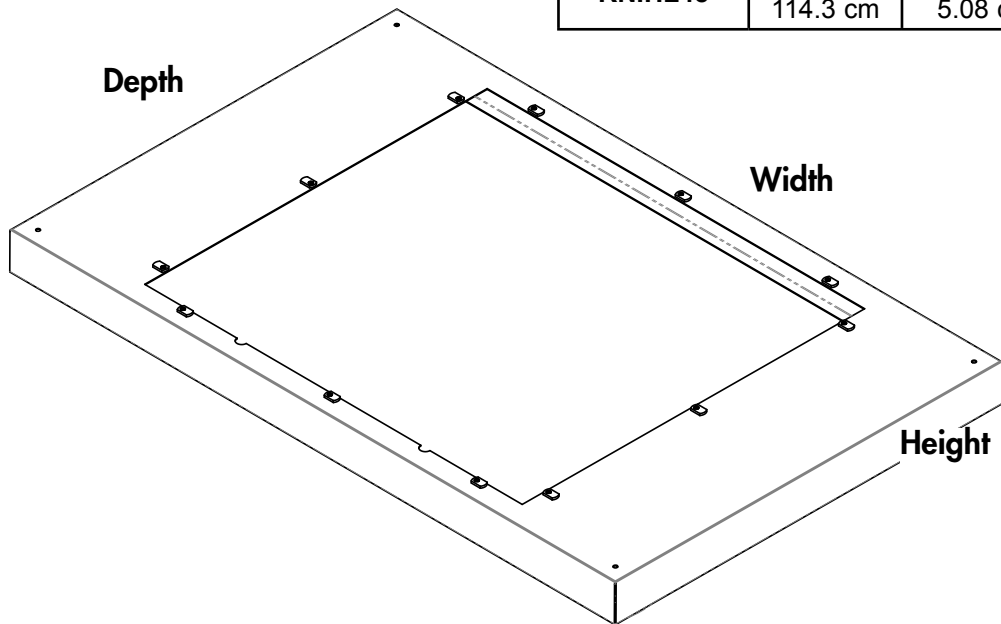
Preparation and Setup

Product Specifications

Tolerance: +1/16", -0" (+0.32, -0 cm)

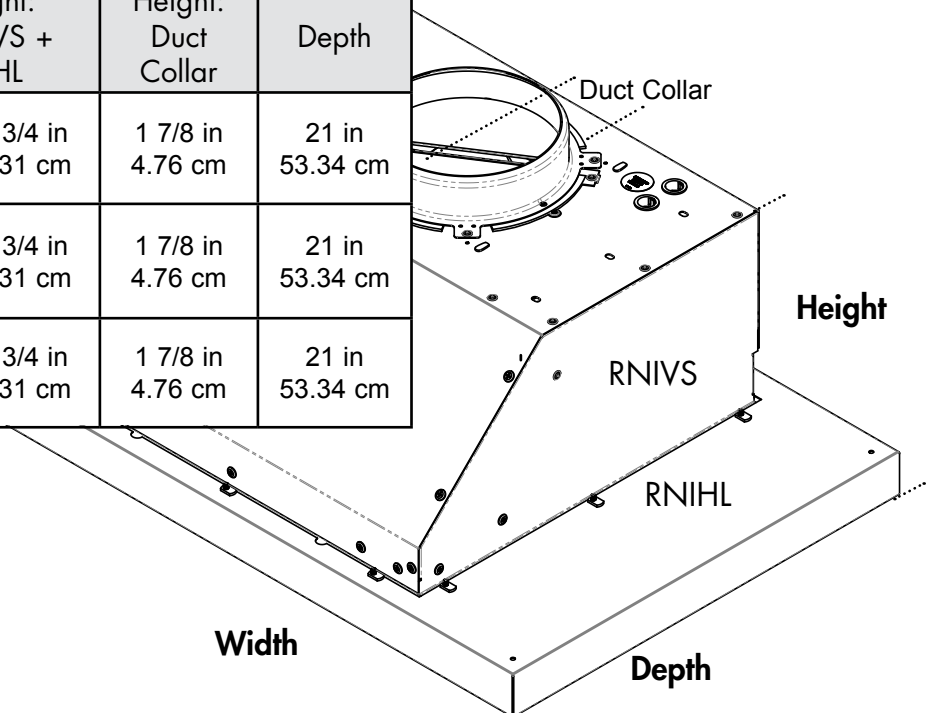
Renaissance® Integrated Hood Liner (Model Series RNIHL)

RNIHL Hood Liner	Width	Height	Depth	Weight
RNIHL30	27 in 68.58 cm	2 in 5.08 cm	21 in 53.34 cm	5 lb. 2.3 kg
RNIHL36	33 in 83.82 cm	2 in 5.08 cm	21 in 53.34 cm	5.5 lb. 2.5 kg
RNIHL48	45 in 114.3 cm	2 in 5.08 cm	21 in 53.34 cm	7 lb 3.18 kg



Installed with a Renaissance® Integrated Ventilation System (Model Series RNIVS)

RNIHL Hood Liner + RNIVS Int. Vent System	Width	Height: RNIVS + RNIHL	Height: Duct Collar	Depth
RNIHL30 + RNIVS1 & RNIVSR1	27 in 68.58 cm	10 3/4 in 27.31 cm	1 7/8 in 4.76 cm	21 in 53.34 cm
RNIHL36 + RNIVS1 & RNIVSR1	33 in 83.82 cm	10 3/4 in 27.31 cm	1 7/8 in 4.76 cm	21 in 53.34 cm
RNIHL48 + RNIVS2 & RNIVSR2	45 in 114.3 cm	10 3/4 in 27.31 cm	1 7/8 in 4.76 cm	21 in 53.34 cm



Installation Instructions

Installing the RNIHL (Hood Liner)

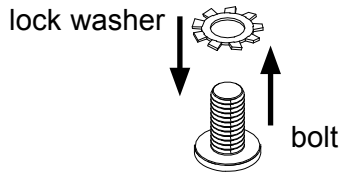
The hood canopy must already be mounted and ready for the ventilation system to be installed. But before the ventilation system is installed, the hood liner is fitted inside.

Refer to the following images when installing the hood liner.

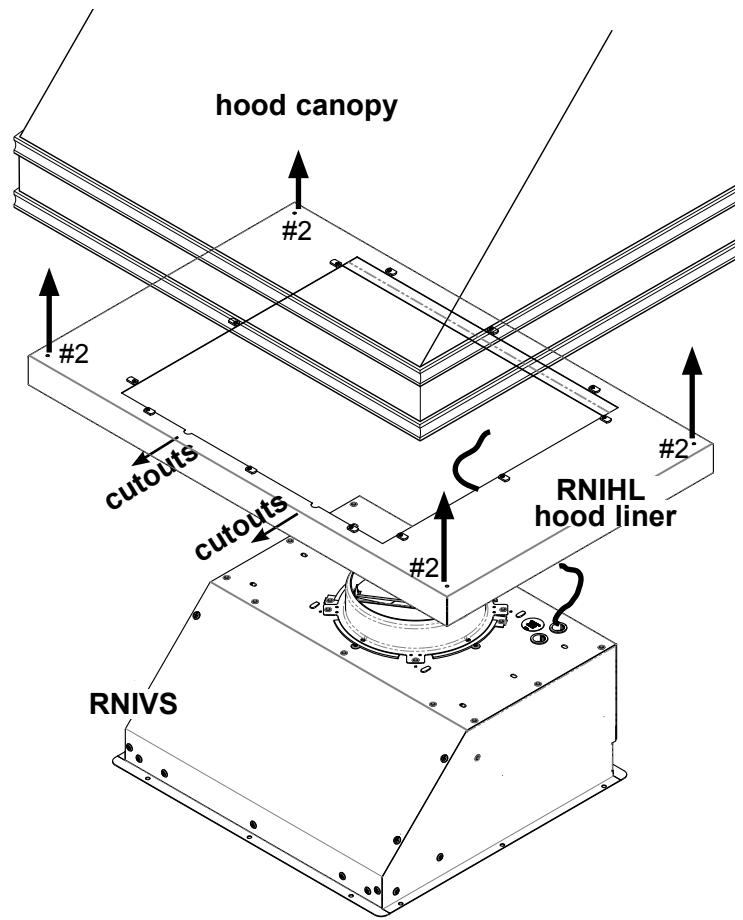
To Install the RNIHL Hood Liner:

1. Position the RNIHL with the half-circle *cutouts* pointing forward.
2. Mount the RNIHL with mounting screws (not provided) at the corners of the liner. See #2 in the image at right.

Make sure the RNIHL is securely fastened to the hood canopy. The RNIHL will hold the weight of the RNIVS.



Mounting Hardware



Installing the RNIHL Hood Liner Inside a Hood Canopy

Installation Instructions

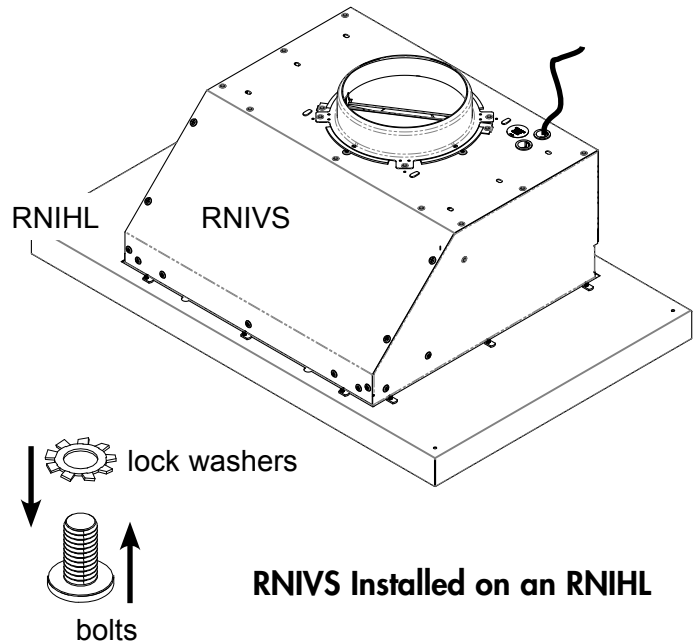
Installing the RNIVS (Ventilation System)

The hood liner must be secured inside the hood canopy and ready for the ventilation system to be attached.

Refer to the image at right while installing the ventilation system.

To Install the RNIVS:

1. Feed the electrical wires through the hood liner opening (refer to previous image *RNIHL Installation Procedure*).
2. Push the RNIVS through opening of the RNIHL until it stops.
3. Attach the RNIVS to the RNIHL using all the lock washers and bolts (see images at right). This hardware is provided.
4. The installed RNIVS will sit atop the RNIHL. The assembled parts will look like the image on the right.
Make sure the RNIHL is securely fastened to the hood canopy. The RNIHL will hold the weight of the RNIVS.



Installation Instructions

Verifying the Correct Setup

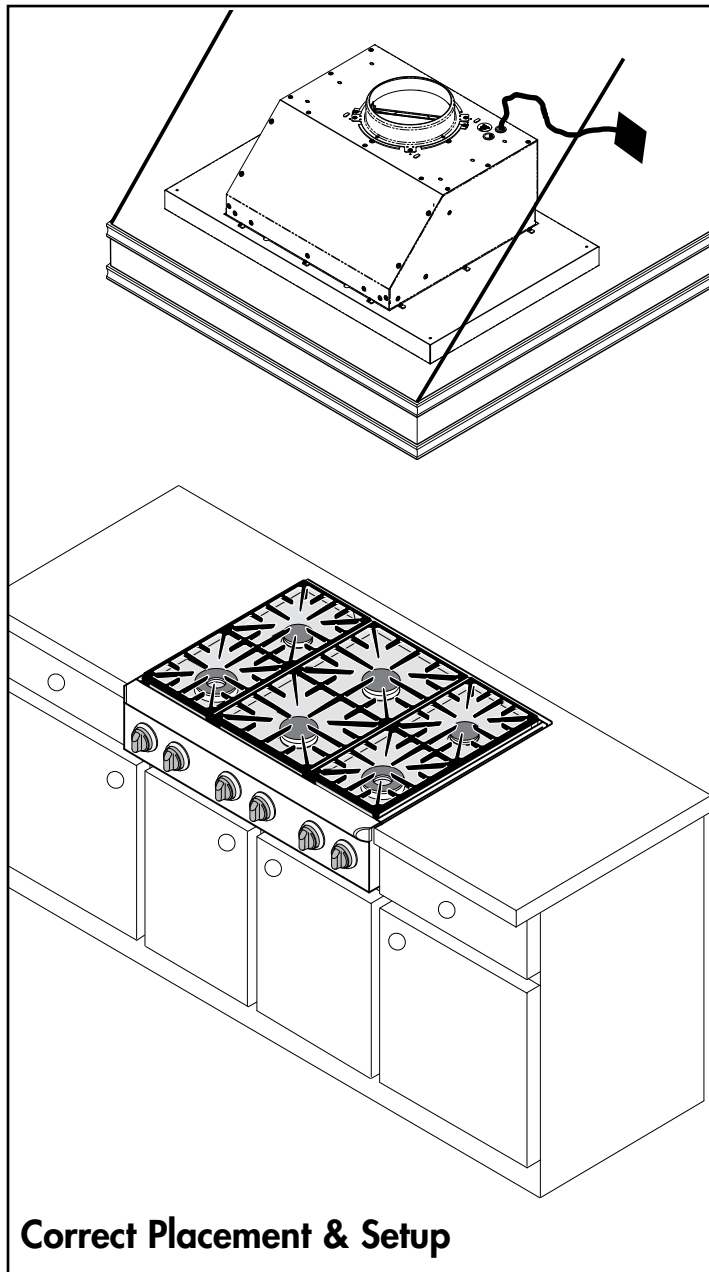
Refer to the RNIVS *Installation Instructions* manual and follow the steps in “Verifying the Correct Setup.”

NOTE: If the blower or lights do not function correctly, follow these troubleshooting steps:

1. Verify that power is being supplied to the RNIVS.
2. Check that the electrical connections have been wired correctly.
3. If the unit still does not work, contact Dacor Distinctive Service at (800) 793-0093, extension 2822.

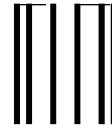
Do not attempt to repair the unit yourself. Have the model and serial numbers available when you call.

Dacor is not responsible for the cost of correcting problems caused by a faulty installation.

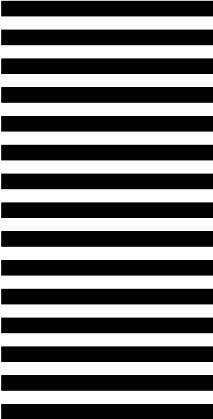


Correct Placement & Setup

fold here



NO POSTAGE
NECESSARY
IF MAILED
IN THE
UNITED STATES



BUSINESS REPLY MAIL
FIRST-CLASS MAIL PERMIT NO 1600 CITY OF INDUSTRY CA

POSTAGE WILL BE PAID BY ADDRESSEE

**DACOR
ATTN WARRANTY PROCESSING DEPT
PO BOX 90070
CITY OF INDUSTRY CA 91715-9907**





Please visit www.dacor.com to activate your warranty online.

WARRANTY INFORMATION



IMPORTANT:

Your warranty will not be activated until you activate it online or return this form to Dacor. If you have purchased more than one Dacor product, please return all forms in one envelope or activate the warranty for each product online.

Please rest assured that under no conditions will Dacor sell your name or any of the information on this form for mailing list purposes. We are very grateful that you have chosen Dacor products for your home and do not consider the sale of such information to be a proper way of expressing our gratitude!

Owner's Name: _____
Last (Please Print or Type) First Middle

Street: _____

City: _____ State: _____ Zip: _____

Purchase Date: _____ Email: _____ Telephone: _____

Dealer: _____

City: _____ State: _____ Zip: _____

Your willingness to take a few seconds to fill in the section below will be sincerely appreciated. Thank you.

1. How were you **first** exposed to Dacor products? (Please check one only.)

- A. T.V. Cooking Show
- B. Magazine
- C. Appliance Dealer Showroom
- D. Kitchen Dealer Showroom
- E. Home Show
- F. Builder
- G. Architect/Designer
- H. Another Dacor Owner
- I. Model Home
- J. Other _____

2. Where did you buy your Dacor appliances?

- A. Appliance Dealer
- B. Kitchen Dealer
- C. Builder Supplier
- D. Builder
- E. Other _____

3. For what purpose was the product purchased?

- A. Replacement **only**
- B. Part of a Remodel
- C. New Home
- D. Other _____

4. What is your household income?

- A. Under \$75,000
- B. \$75,000 – \$100,000
- C. \$100,000 – \$150,000
- D. \$150,000 – \$200,000
- E. \$200,000 – \$250,000
- F. Over \$250,000

5. What other brands of appliances do you have in your kitchen?

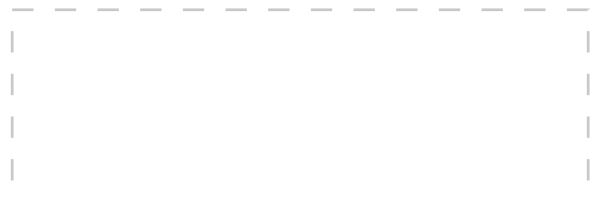
- A. Cooktop _____
- B. Oven _____
- C. Dishwasher _____
- D. Refrigerator _____

6. Would you buy or recommend another Dacor product?

- Yes
- No

Comments: _____

Thank you very much for your assistance. The information you have provided will be extremely valuable in helping us plan for the future and giving you the support you deserve.



cut here

cut here