

DYTT305, DYTT365

All tolerances: +1/16 (+1.6 mm), -0, unless otherwise stated.

Revised 02/20/17



Discovery® 30" and 36" Wide, Electric Induction Cooktops

PLANNING GUIDE

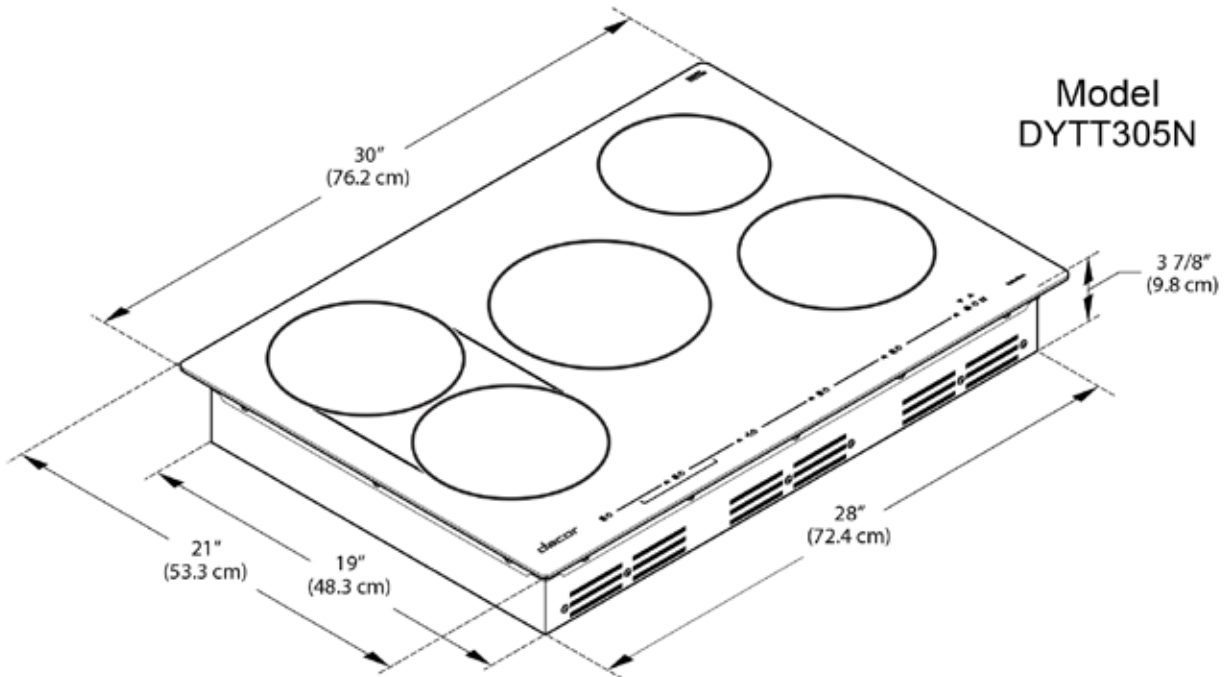
WARNING

- Follow all local codes and ordinances during planning and installation. (Contact your local building department for details.)
- This appliance must be installed according to the accompanying installation instructions.

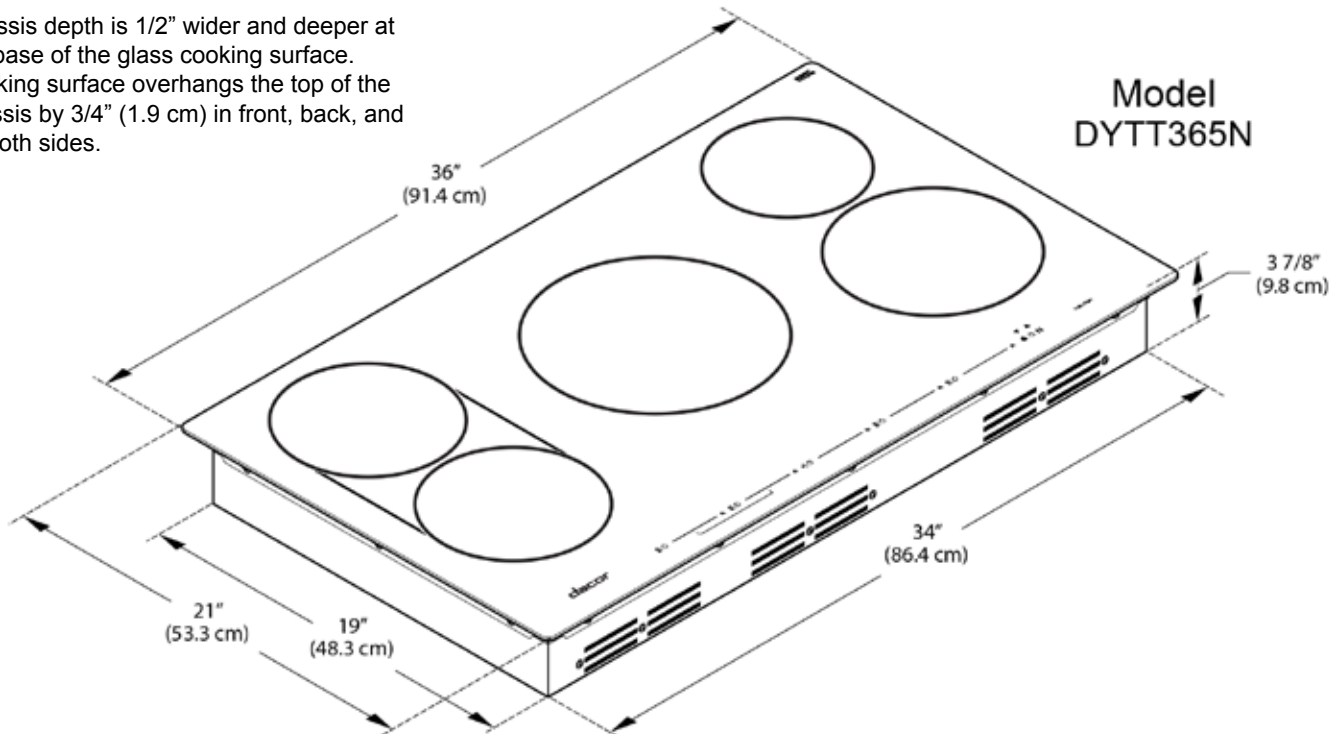
Electrical-Supply Requirements (reference only)

Model	Total Connected Load*	Dedicated Circuit Required
DYTT305NB	46.7 Amp. (11.2 kW)	240V, 60 Hz. 3-Wire** 50 Amp.
DYTT365NB		

* See the product-data label for the current and exact specifications.
** Two 120V hot (L1 and L2), plus one ground (use all-copper wires in all lines)



- Chassis depth is 1/2" wider and deeper at the base of the glass cooking surface.
- Cooking surface overhangs the top of the chassis by 3/4" (1.9 cm) in front, back, and on both sides.



DYTT305, DYTT365

All tolerances: +1/16 (+1.6 mm), -0, unless otherwise stated.

Revised 02/20/17



Discovery® 30" and 36" Wide, Electric Induction Cooktops

PLANNING GUIDE

- To reduce risk of burn injury from reaching over a hot appliance, avoid storage in cabinetry directly above the cooktop, or install a range hood.
- Locate the junction box within reach of the 48" (122 cm) power conduit attached to the bottom right rear of the chassis. Ensure access to the bottom of the cooktop chassis and the junction box for inspection/service.
- To reduce risk of personal injury and smoke accumulation, Dacor strongly recommends installing a range hood. Install the hood per the included installation instructions. The hood should cover the entire cooktop surface and project outward at least 5" beyond the bottom of the overhead cabinets.
- Always consult the countertop manufacturer for specific installation instructions/requirements.

The countertop opening must accept the cooktop chassis' square corners.

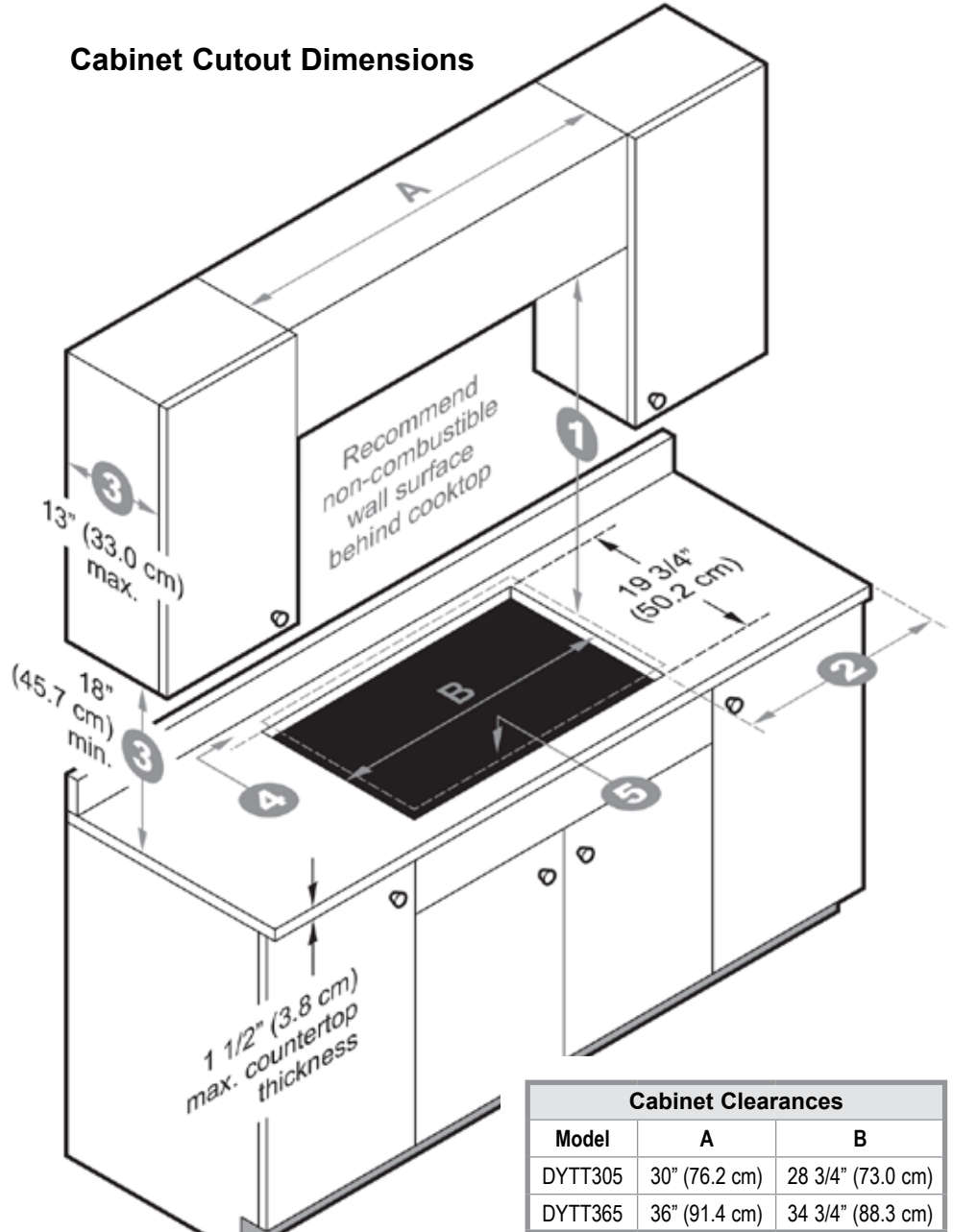
- You may need to include fire-retardant material (see notes below) in the installation. These bear the mark:

UNDERWRITERS LABORATORIES INC.
CLASSIFIED
MINERAL AND FIBER BOARDS.
SURFACE BURNING CHARACTERISTICS

This mark is followed by the flame-spread and smoke ratings. These designations are shown as "FHC (Flame Spread)/(Smoke Developed)." Material with "0" flame spread rating are flame retardant. Local codes may allow other flame-spread ratings.

- If the cooktop chassis is completely enclosed, allow ventilation of at least 18 square inches into the enclosure.

Cabinet Cutout Dimensions

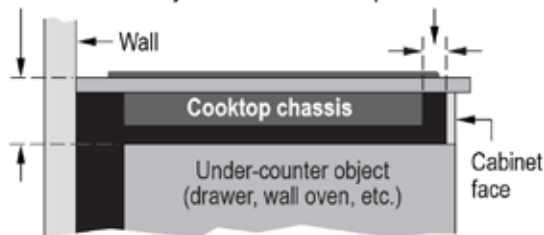


Cabinet Clearances

Model	A	B
DYTT305	30" (76.2 cm)	28 3/4" (73.0 cm)
DYTT365	36" (91.4 cm)	34 3/4" (88.3 cm)

Min. 4 3/4" (12.7 cm):
Countertop surface to top
of under-counter object

Min. gap 1 1/2" (3.8 cm):
Inside cabinet face to
cooktop chassis front



Under-Counter Clearance

Callout	Description
1	30" min. clearance from cooktop surface and bottom of unprotected wood or metal cabinet
2	Distance to combustible side wall (either side): 2 1/4" (5.7 cm) min. from edge of cooktop surface.
3	If cooktop side of upper cabinetry is more than 2 1/4" (5.7 cm) to the left/right of the cooktop edge, Specification 3 does not apply.
4	1 1/8" (2.9 cm) min. to combustible surface at rear; 3/4" (1.9 cm) min. to non-combustible surface at rear.
5	Ensure internal space allows proper under-cabinet ventilation for cooktop chassis. (See Cooktop Clearance/Ventilation , Pg. 2.)

DYTT305, DYTT365

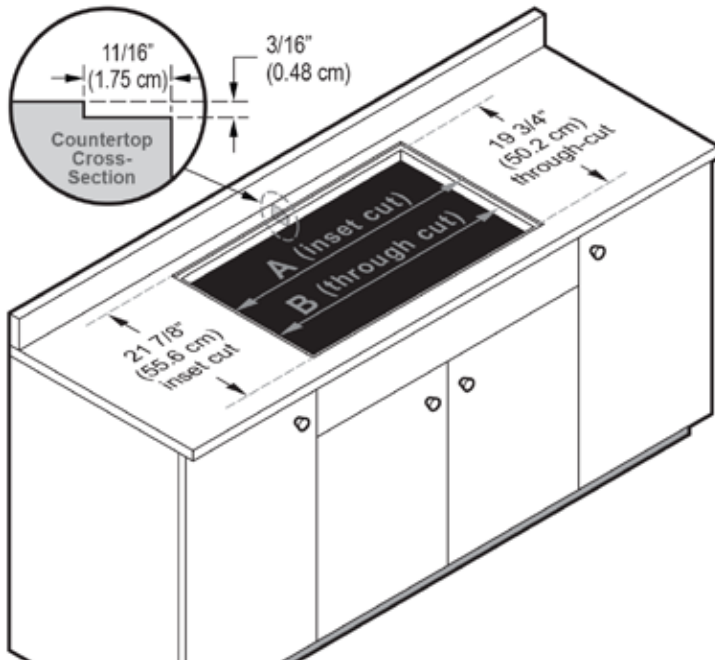
All tolerances: +1/16 (+1.6 mm), -0, unless otherwise stated.

Revised 02/20/17

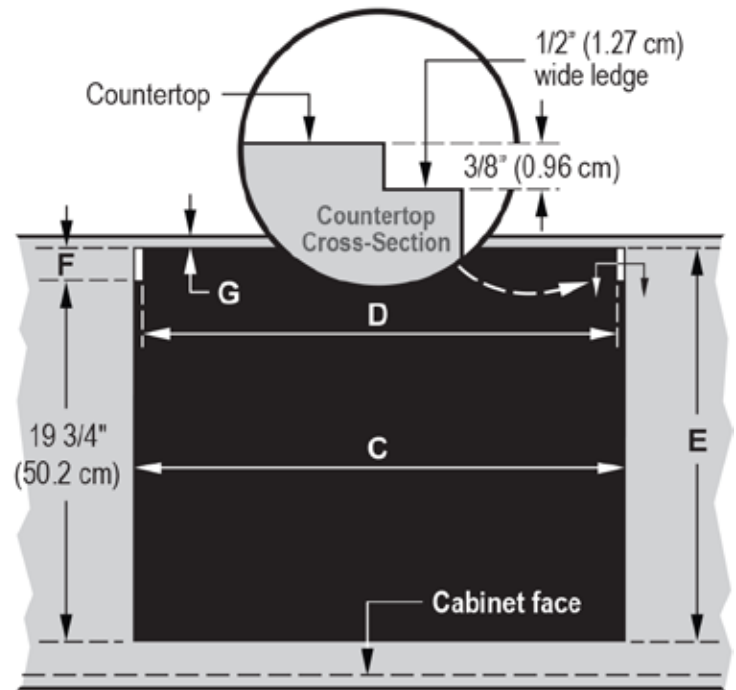


Discovery® 30" and 36" Wide, Electric Induction Cooktops

PLANNING GUIDE



Inset Cutout Installation Dimensions



**Flush Cutout Installation Dimensions
(downdraft vent system)**

IMPORTANT (INSET CUTOUT)

See the previous page for minimum clearances to combustibles and overhead cabinets.

Cooktop Width Dimensions

Model	A (inset cut)	B (through cut)
DYTT305	30 1/8" (76.5 cm)	28 3/4" (73.0 cm)
DYTT365	36 1/8" (91.8 cm)	34 3/4" (88.3 cm)

IMPORTANT (FLUSH CUTOUT/ DOWNDRAFT VENT)

- See the previous page for minimum clearances to combustibles and overhead cabinets.
- Install only the downdraft models specified in the **DYTT Cooktop w/Downdraft Cutout Dimensions** table (below).
- If installing the cooktop with a downdraft flush with the countertop, see the **Countertop Inset-Cutout Dimensions** section (this page).
- The countertop inset for the downdraft must be lower to accommodate the downdraft's top cap, which extends the height of the downdraft. (See the downdraft's installation instructions to determine the exact dimensions.)
- Additional sealing is required between the cooktop chassis and the downdraft due to the difference in the required inset depth.

DYTT Cooktop w/Downdraft Cutout Dimensions

Model Configuration	(C) Cooktop Cutout Width	(D) Downdraft Cutout Width	(E) Total Cutout Width	(F) Downdraft Cutout Depth	(G) Min. Rear Counter Overhang
DYTT305 cooktop w/ERV3015/PRV30	28 3/4" (73.0 cm)	27 3/4" (70.5 cm)	22 1/2" (57.2 cm)	2 3/4" (7.0 cm)	3/8" (1.0 cm)
DYTT365 cooktop w/ERV3615/PRV36	34 3/4" (88.3 cm)	33 3/4" (85.7 cm)			
DYTT305 cooktop w/RV30 downdraft	28 3/4" (73.0 cm)	27 3/4" (70.5 cm)	22 1/4" (56.5 cm)	2 1/2" (6.4 cm)	5/8" (1.6 cm)
DYTT365 cooktop w/RV36 downdraft	34 3/4" (88.3 cm)	33 3/4" (85.7 cm)			

DYTT305, DYTT365

All tolerances: +1/16 (+1.6 mm), -0, unless otherwise stated.

Revised 02/20/17

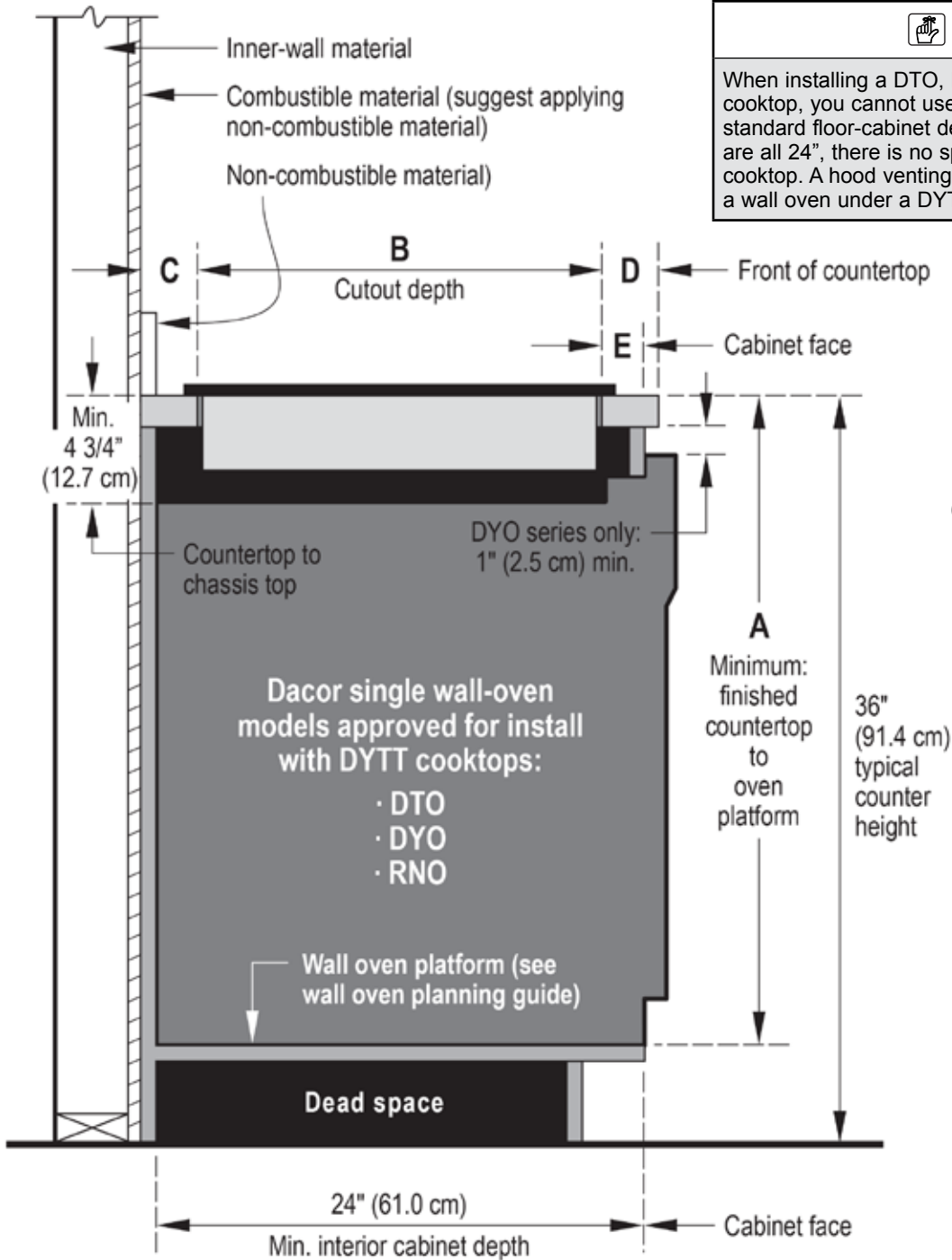


Discovery® 30" and 36" Wide, Electric Induction Cooktops

PLANNING GUIDE

IMPORTANT

When installing a DTO, DYO, or RNO wall oven with a DYTT cooktop, you cannot use a downdraft vent system. Because standard floor-cabinet depth is 24", and the wall oven depths are all 24", there is no space for the downdraft vent behind the cooktop. A hood venting system must be used when installing a wall oven under a DYTT cooktop in standard-depth cabinets.



Cooktop/Wall Oven Combination

Combination DYTT Cooktop/Wall Oven Installation Dimensions

Wall Oven Model No.	(A) Min. C'top to Oven Platform	(B) Cutout Depth	(C) Min. Back of Cutout to Wall	(D) Min. Front o' C'top to Front o' Cutout	(E) Min. Cab't Face to Front of Cutout	Comments
DTO	32 3/8" (82.2 cm)	19 3/4" (50.2 cm)	1 1/8" (2.9 cm)	2 3/4" (7.0 cm)	2 3/4" (7.0 cm)	Leave minimum 7 sq. in. ventilation through cabinet; min. 2 in. betw. front of chassis and back of cab't below c'top. (See DYTT planning guide.)
DYO	33 1/8" (84.1 cm)	19 3/4" (50.2 cm)	1 1/8" (2.9 cm)	2 3/4" (7.0 cm)	2 3/4" (7.0 cm)	
RNO	32 3/8" (82.2 cm)	19 3/4" (50.2 cm)	1 1/8" (2.9 cm)	2 3/4" (7.0 cm)	2 3/4" (7.0 cm)	