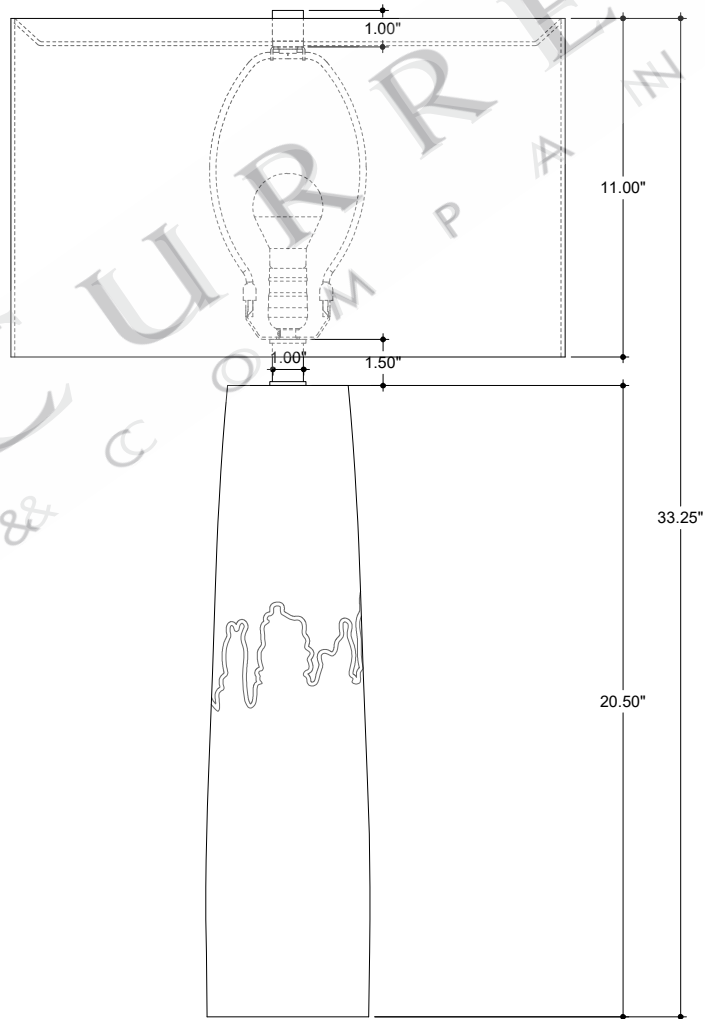


Ø18.00" DIA. TOP AND BOTTOM SHADE OPENING

Ø1.00" DIA. CYLINDER FINIAL

Ø5.25" DIA. BODY

TOP VIEW



11.00"

33.25"

20.50"

1.00"

1.00"

1.50"

FRONT VIEW

6000-0801

ALL WORK © 2022 CURREY & COMPANY