

CYLINDER & ENTITY STEM/CORD MOUNT - INSTALLATION INSTRUCTIONS

**READ AND FOLLOW ALL SAFETY INSTRUCTIONS!
SAVE THESE INSTRUCTIONS AND DELIVER TO OWNER AFTER INSTALLATION.**

WARNING: RISK OF ELECTRIC SHOCK

- Before installation or servicing DISCONNECT POWER BY SHUTTING OFF THE CIRCUIT breakers both to the outlet box and to its associated wall switch.
- Installation and service of luminaires should be performed by a qualified licensed electrician in accordance with all local and National Electrical Codes.
- Do not install damaged product.
- Verify that supply voltage is correct by comparing it with the luminaire label information.
- All wiring connections should be capped with UL approved wire connectors.

WARNING: RISK OF INJURY

- Allow luminaire to cool before servicing.
- Follow all manufacturer's warning and restrictions for driver type, mounting locations, replacement and recycling.
- Wear safety glasses and gloves when installing, maintaining or servicing.
- Avoid direct eye exposure to the light source while it is on.

WARNING: RISK OF FIRE

- Do not separate any other wires that may be in the box.
- Do not damage the insulation of existing wiring.
- In regular circumstances the BLACK wire will be the "Hot" lead and the WHITE wire will be the "Neutral" or "Common" lead. A GREEN or BARE COPPER wire is the "Ground." In older buildings, it is always good practice to reconfirm the polarity of the wiring.

RISK OF PRODUCT DAMAGE

- Never connect components under load.
- Do not touch the yellow surface of the LED as it may damage the light engine.

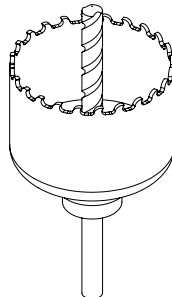
TOOLS REQUIRED



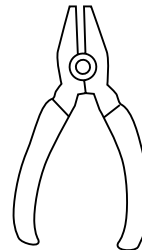
Size 1 Phillips
Screw Driver



Size #2 Phillips
Screw Driver

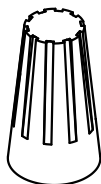


Hole Saw
(Or Speed Router)



Pliers

ACCESSORIES REQUIRED



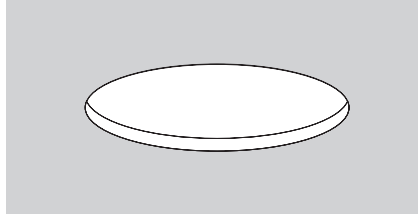
Electrical Wire Nut

CYLINDER & ENTITY STEM/CORD MOUNT - INSTALLATION INSTRUCTIONS

PREPARATION

Measure Before You Cut

Consult the ceiling cutout table below to determine your application ceiling cutout requirements.



Model	Ceiling Cutout Size
Stem and Cord Mount (Retro Fit)	Ø4" (Ø101.6 mm)
Stem and Cord Mount (New Construction)	Ø2½" (Ø63.5 mm)

JUNCTION BOX COMPATIBILITY

Consult the junction box chart for your application's junction box compatibility.

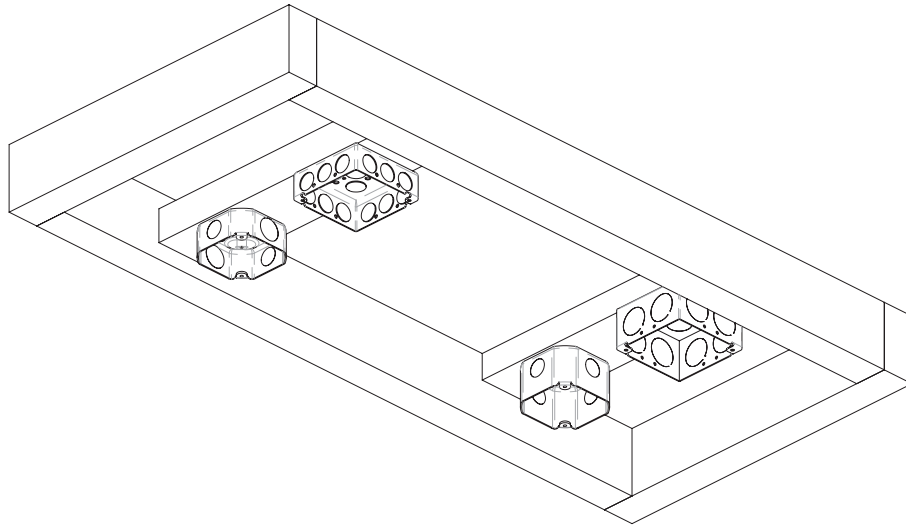
Cylinder Type	Canopy Type				
		Square Junction Box 4" x 4" x 1½"	Square Junction Box 4" x 4" x 2½"	Octagon Junction Box Ø4" x 1½"	Octagon Junction Box Ø4" x 2½"
Standard	Retro Fit			X	X
	New Construction	X	X	X	X
	Conduit Canopy			X	X
Entity	Retro Fit				X
	New Construction	X	X		X
	Conduit Canopy			X	X
Both	Alternative Driver	X	X	X	X

CYLINDER & ENTITY STEM/CORD MOUNT - INSTALLATION INSTRUCTIONS

INSTALLATION

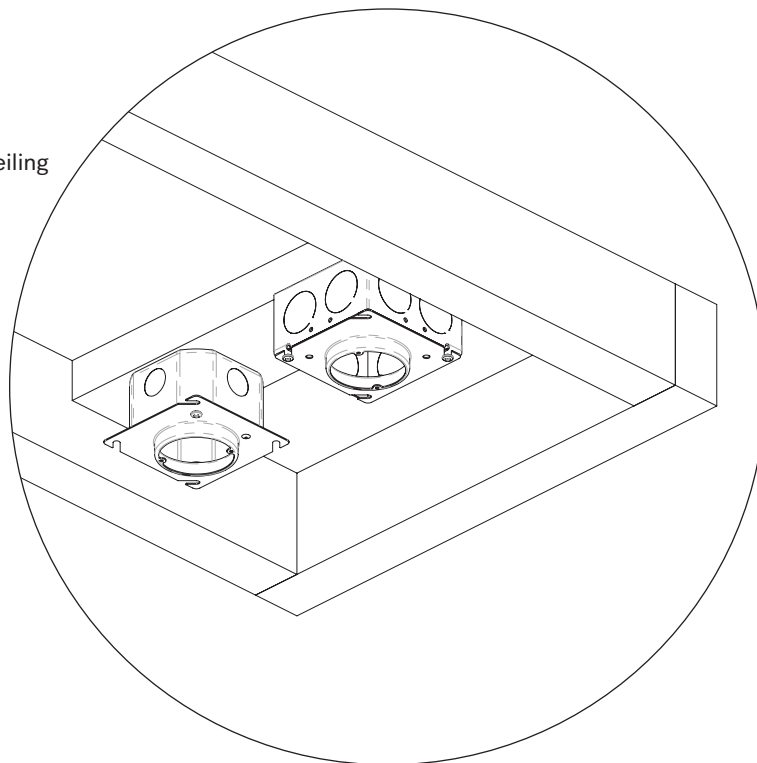
STEP 1 | Mount Junction Box to Joist

1



New Construction

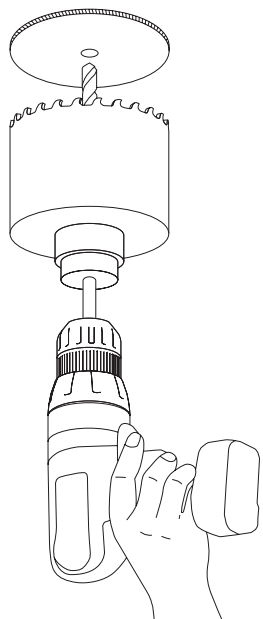
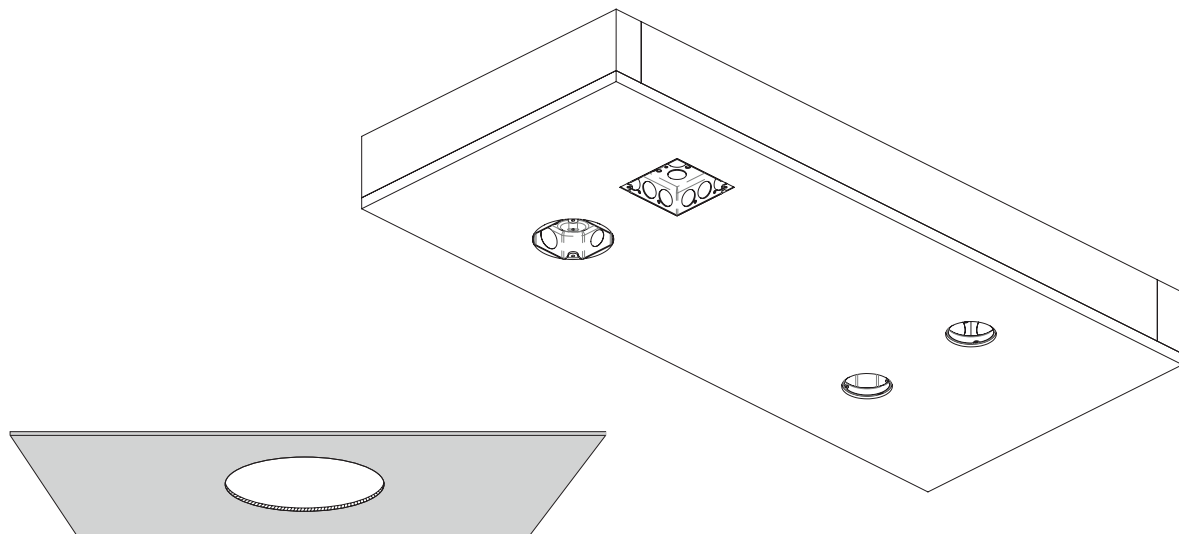
Install Junction Box Plate before ceiling



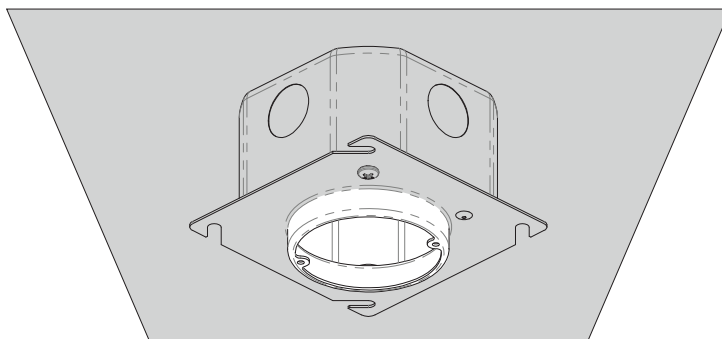
CYLINDER & ENTITY STEM/CORD MOUNT - INSTALLATION INSTRUCTIONS

STEP 2 | Cut Hole and Install Ceiling

2



New Construction

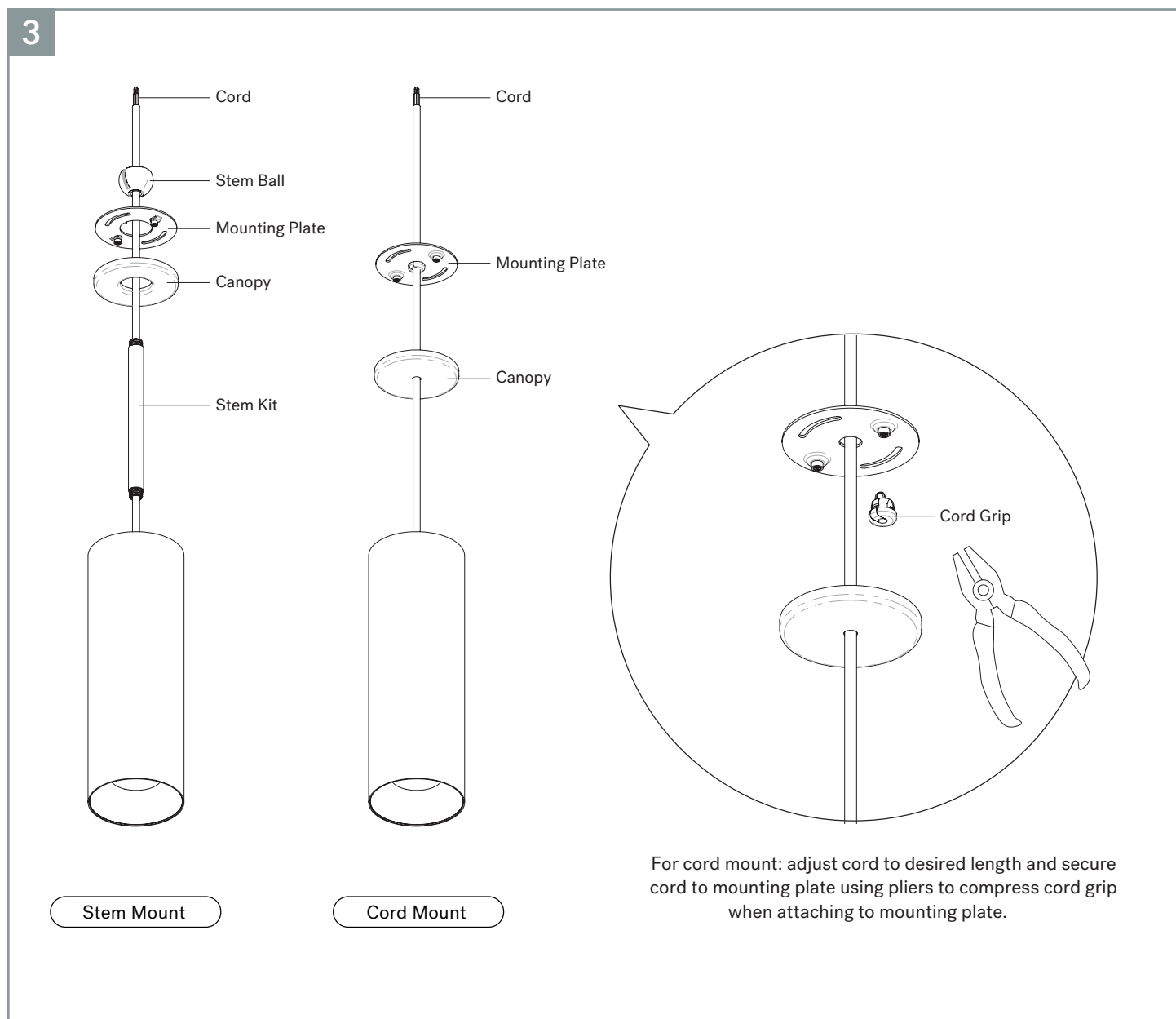


Model	Ceiling Cutout Size
Stem and Cord Mount (Retro Fit)	Ø4" (Ø101.6 mm)
Stem and Cord Mount (New Construction)	Ø2 ½" (Ø63.5 mm)

CYLINDER & ENTITY STEM/CORD MOUNT - INSTALLATION INSTRUCTIONS

STEP 3 | Assembly

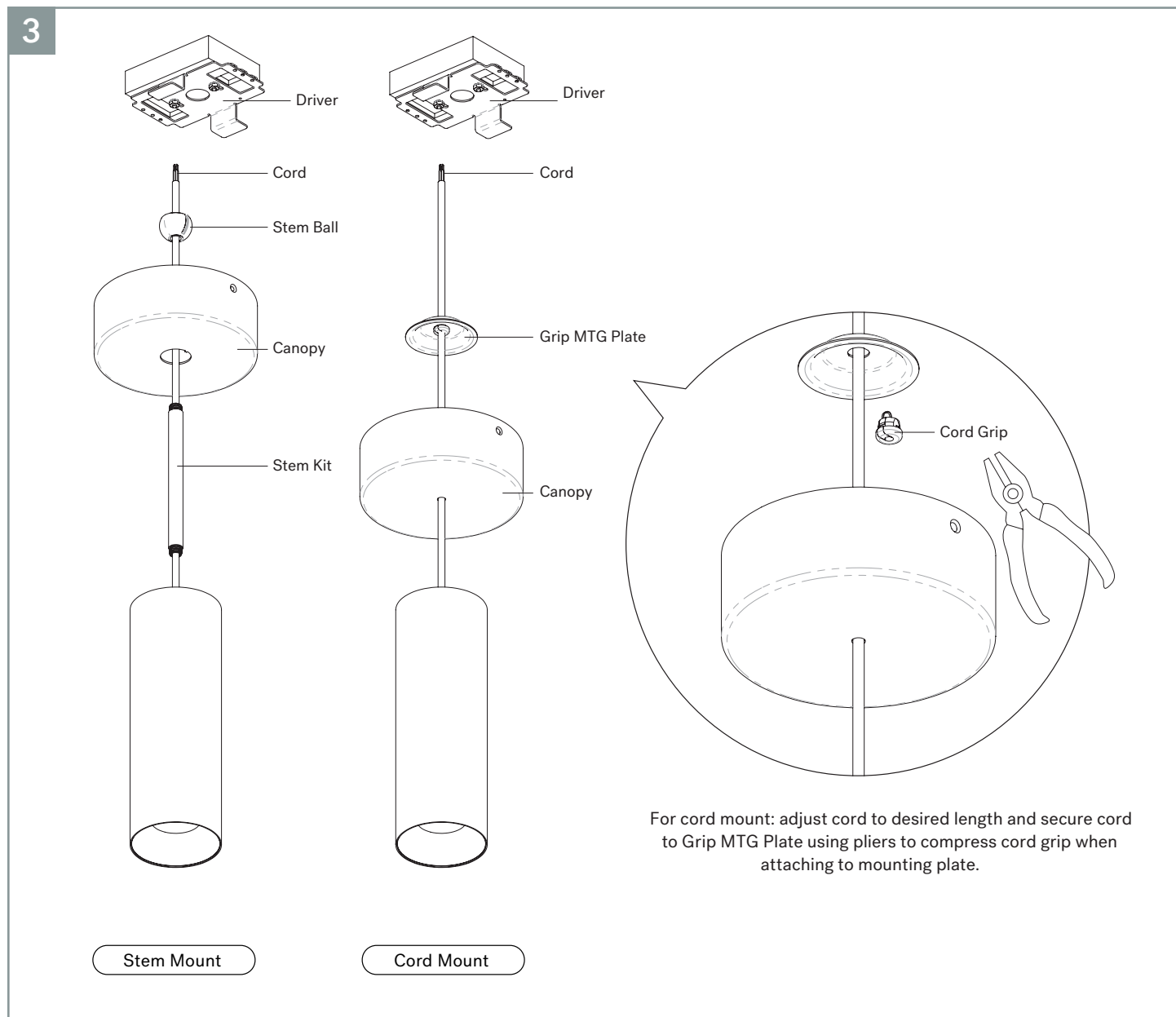
- Insert cord through mounting plate in order below.



CYLINDER & ENTITY STEM/CORD MOUNT - INSTALLATION INSTRUCTIONS

STEP 3 | Assembly for Alternative Driver

- Insert cord through system in order below.



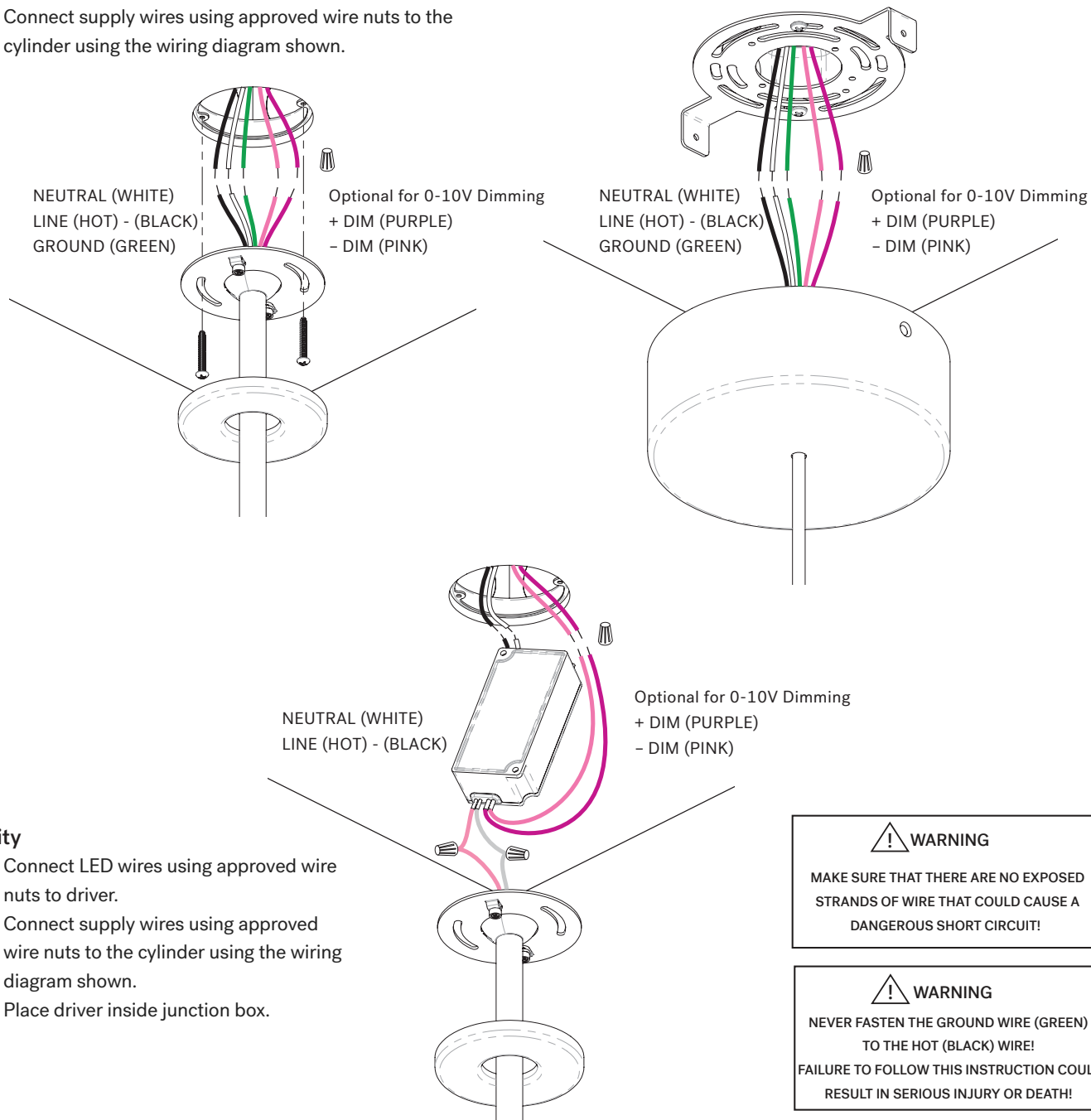
CYLINDER & ENTITY STEM/CORD MOUNT - INSTALLATION INSTRUCTIONS

STEP 4 | Make Electrical Connection

4

Retro Fit, New Construction & Alternative Driver

- Connect supply wires using approved wire nuts to the cylinder using the wiring diagram shown.



Entity

- Connect LED wires using approved wire nuts to driver.
- Connect supply wires using approved wire nuts to the cylinder using the wiring diagram shown.
- Place driver inside junction box.

! WARNING

MAKE SURE THAT THERE ARE NO EXPOSED STRANDS OF WIRE THAT COULD CAUSE A DANGEROUS SHORT CIRCUIT!

! WARNING

NEVER FASTEN THE GROUND WIRE (GREEN) TO THE HOT (BLACK) WIRE!
FAILURE TO FOLLOW THIS INSTRUCTION COULD RESULT IN SERIOUS INJURY OR DEATH!

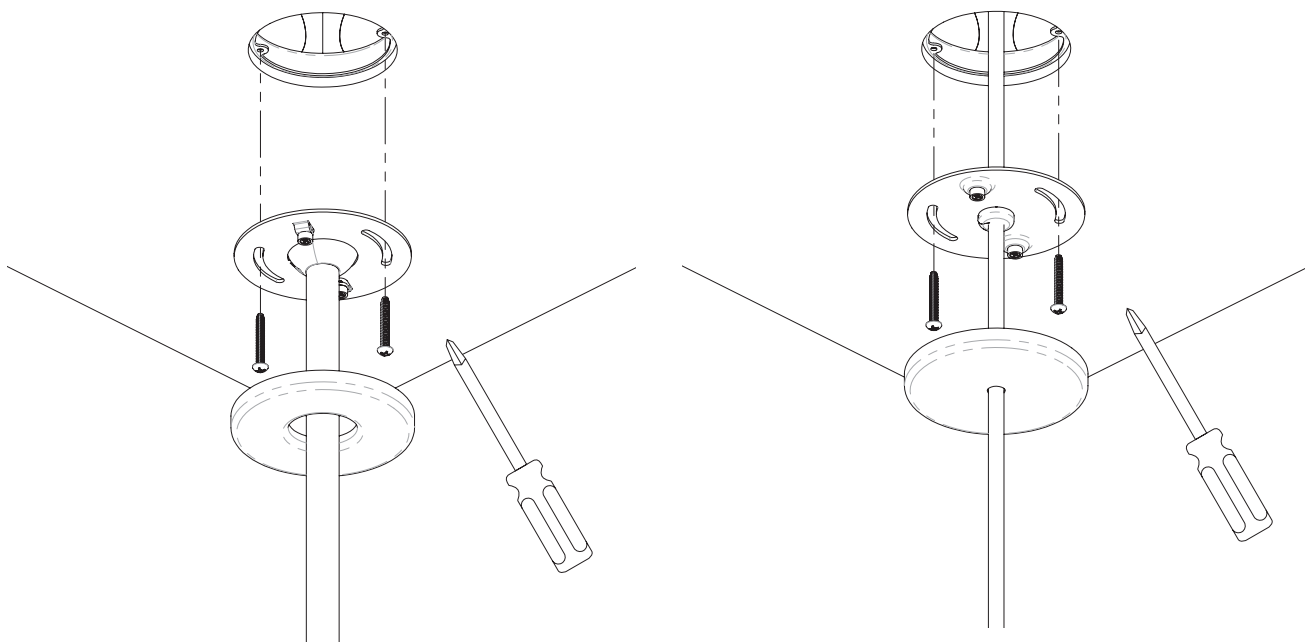
CYLINDER & ENTITY STEM/CORD MOUNT - INSTALLATION INSTRUCTIONS

STEP 5 | Attach Mounting Plate and Canopy

5

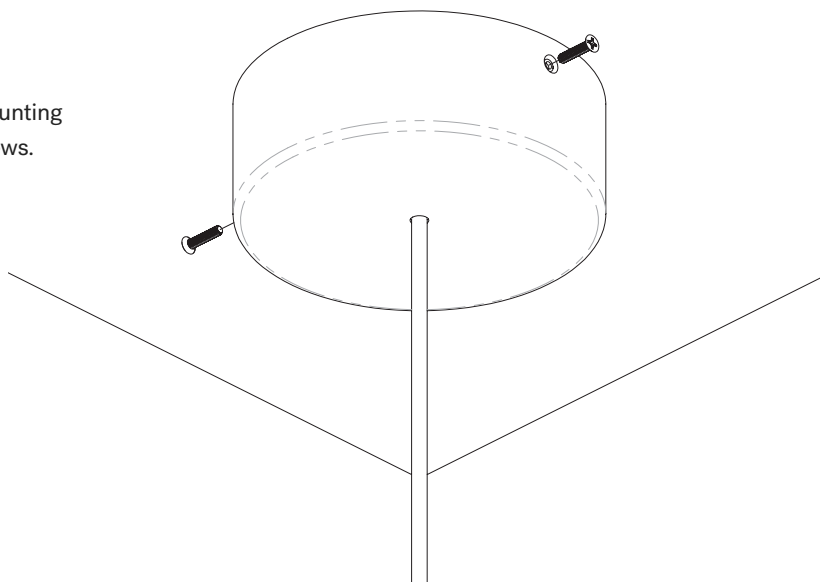
Retro Fit & New Construction

- Using #2 phillips screwdriver fasten mounting plate to junction box/junction box plate.
- Attach canopy over mounting plate.



Alternative Driver

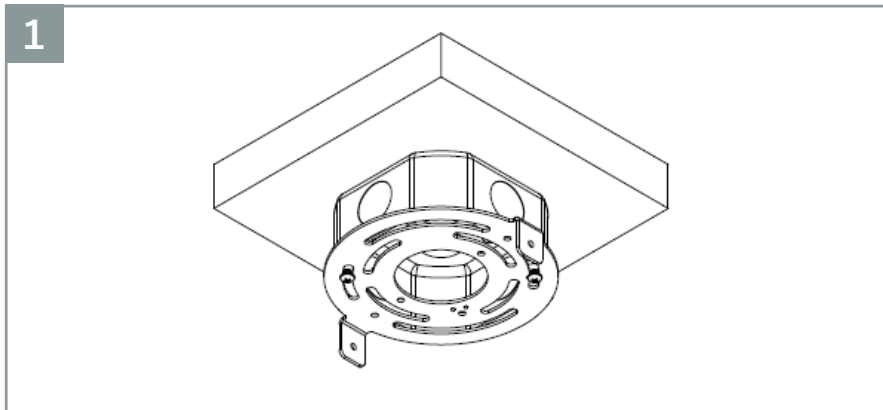
- Using #2 phillips screwdriver, fasten mounting plate to junction box using supplied screws.
- Attach canopy to mounting plate.



CYLINDER & ENTITY STEM/CORD MOUNT - INSTALLATION INSTRUCTIONS

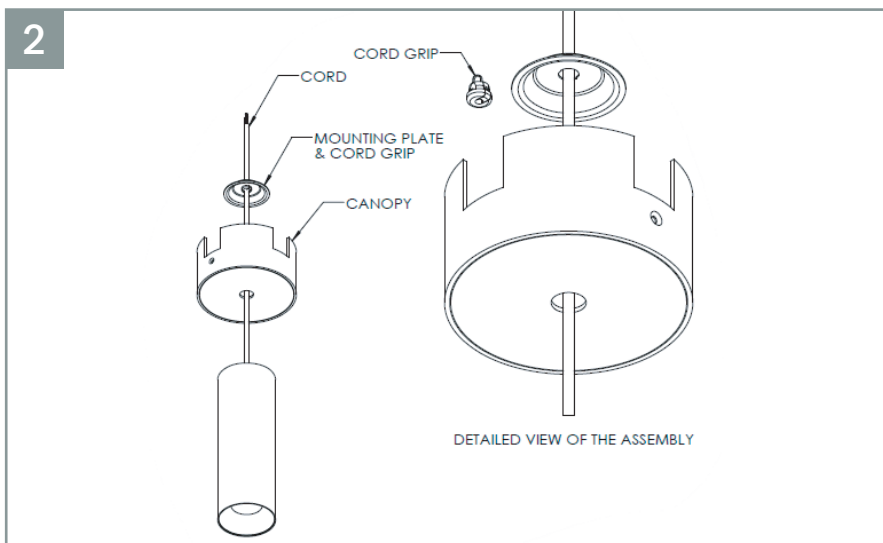
CONDUIT CANOPY CORD INSTALLATION

STEP 1 – Mount Junction Box to Structure such as Ceiling and/or Solid Conduit, as allowed by local building codes.
Then install Mounting Plate to J-Box

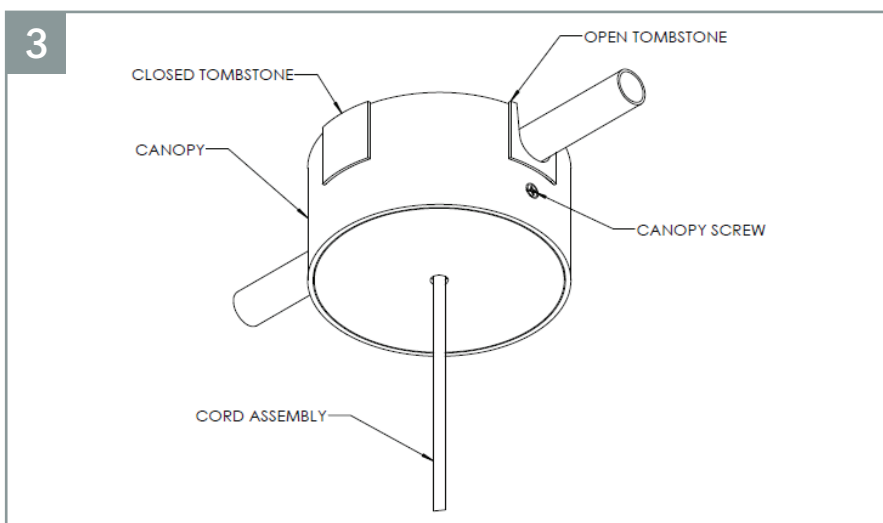


STEP 2 – Complete Cord Assembly by attaching Components as shown, then using page 11, connect all Supply Wire.

Note: When mounting Entity, the Driver is to be placed within the Canopy.



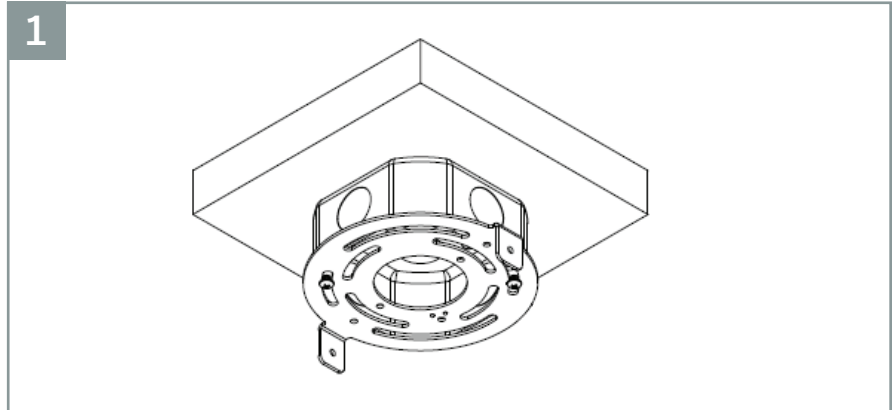
STEP 3 – Mount closed/open Tombstones as needed. Using Canopy Screws secure Canopy to the Mounting Plate.



CYLINDER & ENTITY STEM/CORD MOUNT - INSTALLATION INSTRUCTIONS

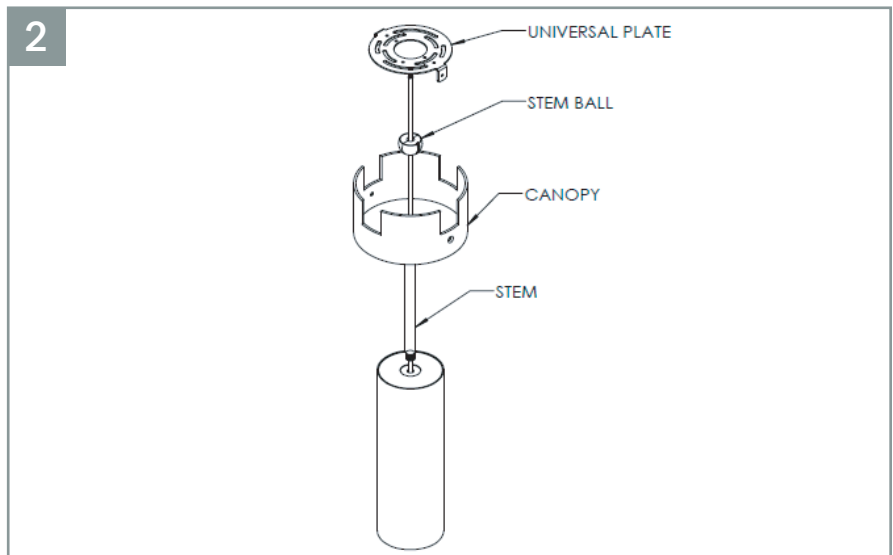
CONDUIT CANOPY STEM INSTALLATION

STEP 1 – Mount Junction Box to Structure such as Ceiling and/or Solid Conduit, as allowed by local building codes. Then install Mounting Plate to J-Box

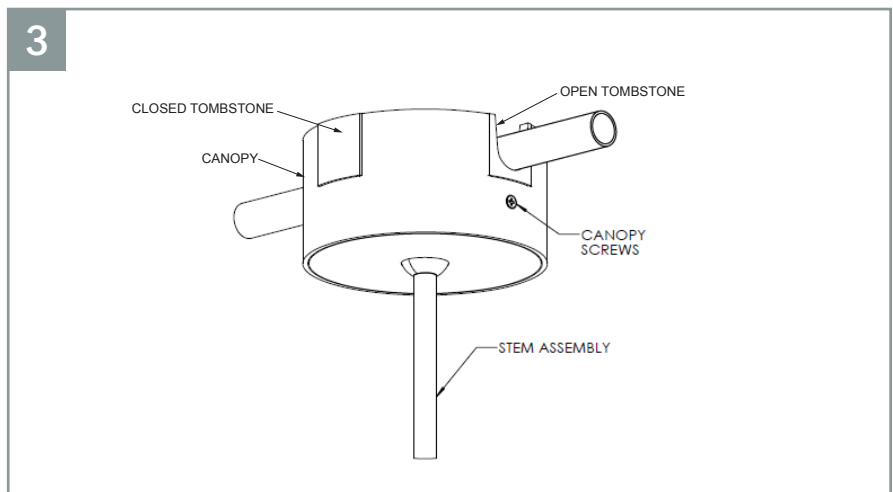


STEP 2 – Complete Stem Assembly by attaching Components as shown, then using page 11, connect all Supply Wire

Note: When mounting Entity, the Driver is to be placed within the Canopy.

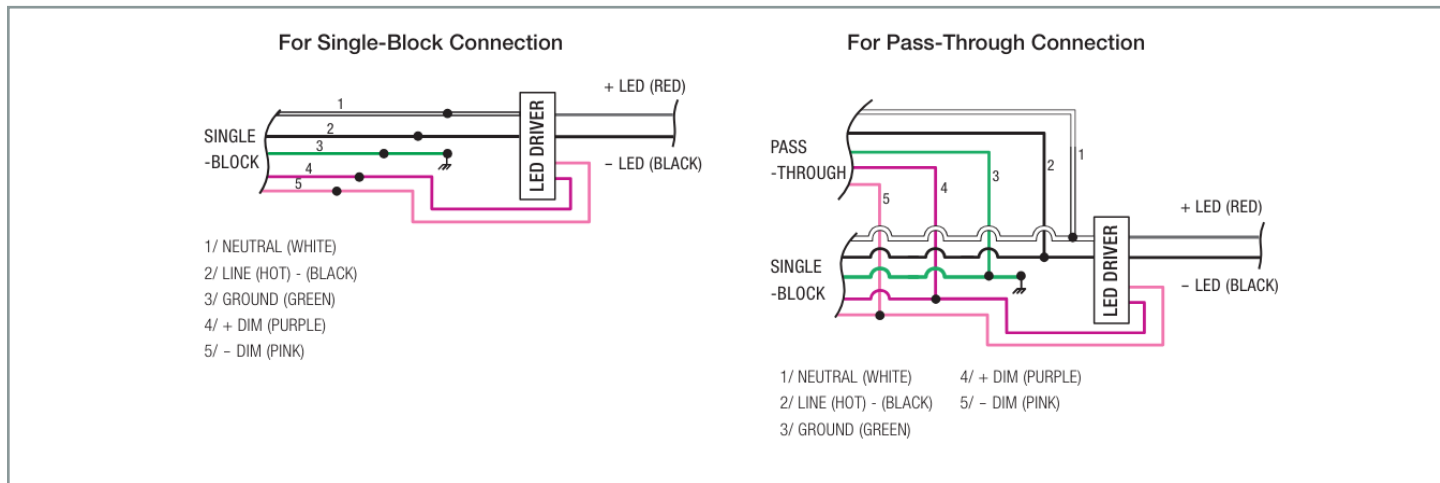


STEP 3 – Mount closed/open Tombstones as as needed. Using Canopy Screws secure Canopy to the Mounting Plate.



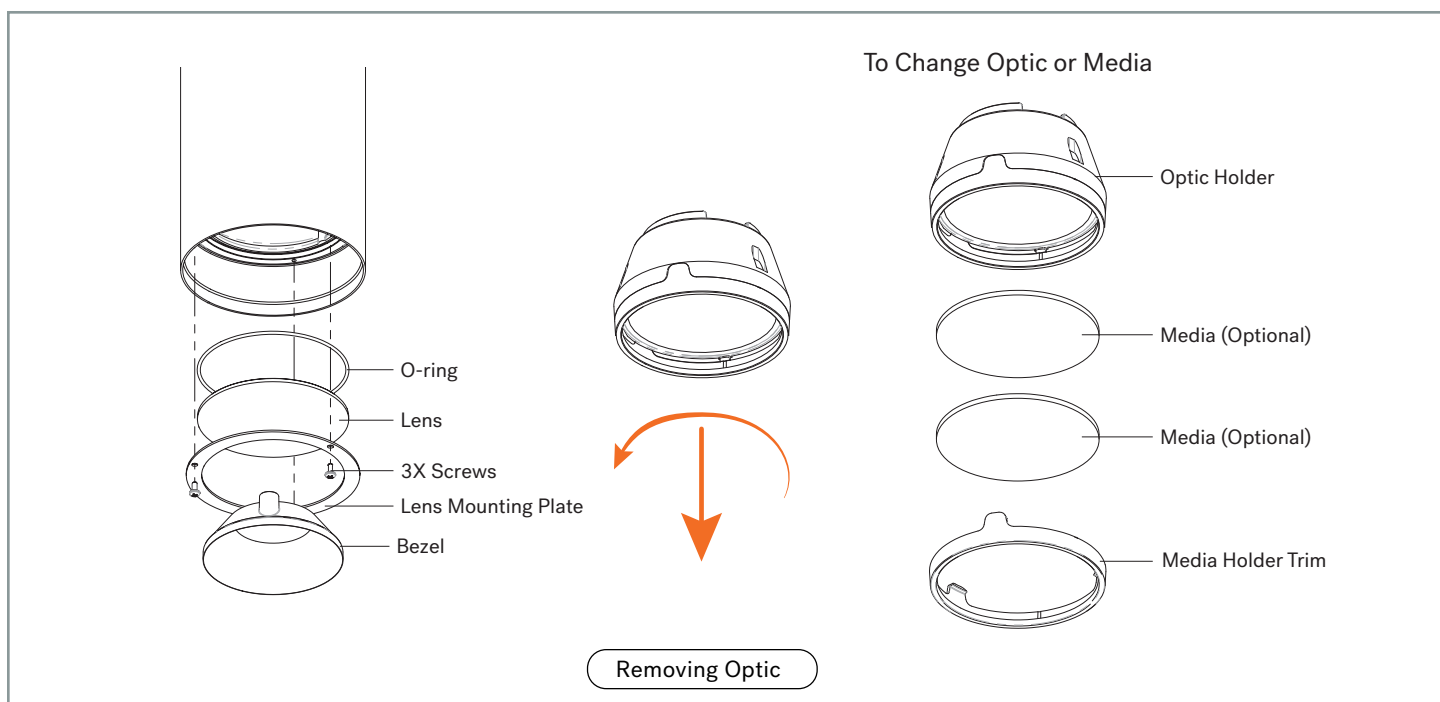
CYLINDER & ENTITY STEM/CORD MOUNT - INSTALLATION INSTRUCTIONS

WIRING DIAGRAMS



REMOVING/INSTALLING OPTICS OR MEDIA

- Remove Bezel.
- Using #1 phillips screwdriver, remove 3X screws.
- Remove lens mounting plate, lens and o-ring.
- Remove optic by rotating it counter-clockwise (For 2", use optic removal tool).
- If attaching media, remove media holder, place media(s) and reattach media holder to optic.
- If installing optic, with desired optic reverse steps 1-4 ensuring the o-ring is placed within the o-ring groove.



CYLINDER & ENTITY STEM/CORD MOUNT - INSTALLATION INSTRUCTIONS

INSTALLATION

For Wet Location

- Before attaching canopy apply RTV liberally inside of the canopy at ingress locations, place canopy to mounting plate, and cleanup any excess RTV.

