

## LUXE PIVOT - INSTALLATION INSTRUCTIONS

**READ AND FOLLOW ALL SAFETY INSTRUCTIONS!  
SAVE THESE INSTRUCTIONS AND DELIVER TO OWNER AFTER INSTALLATION.**

### WARNING: RISK OF ELECTRIC SHOCK

- Before installation or servicing **DISCONNECT POWER BY SHUTTING OFF THE CIRCUIT breakers both to the outlet box and to its associated wall switch.**
- Installation and service of luminaires should be performed by a qualified licensed electrician in accordance with all local and National Electrical Codes.
- Do not install damaged product.
- Verify that supply voltage is correct by comparing it with the luminaire label information.
- All wiring connections should be capped with UL approved wire connectors.

### WARNING: RISK OF INJURY

- Allow luminaire to cool before servicing.
- Follow all manufacturer's warning and restrictions for driver type, mounting locations, replacement and recycling.
- Wear safety glasses and gloves when installing, maintaining or servicing.
- Avoid direct eye exposure to the light source while it is on.

### WARNING: RISK OF FIRE

- Do not separate any other wires that may be in the box.
- Do not damage the insulation of existing wiring.
- In regular circumstances the **BLACK** wire will be the "Hot" lead and the **WHITE** wire will be the "Neutral" or "Common" lead. A **GREEN** or **BARE COPPER** wire is the "Ground." In older buildings, it is always good practice to reconfirm the polarity of the wiring.

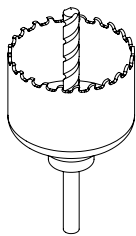
### RISK OF PRODUCT DAMAGE

- Never connect components under load.
- Do not touch the yellow surface of the LED as it may damage the light engine.

## TOOLS REQUIRED



Size #2 Phillips  
Screw Driver



Hole Saw  
(Or Speed Router)



1.5mm L-Key  
Allen Wrench



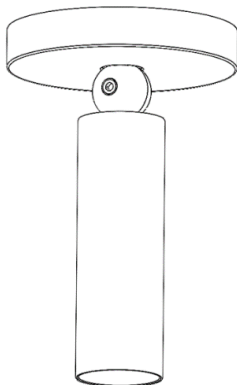
4mm L-Key  
Allen Wrench



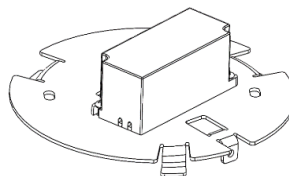
Electrical Wire Nut

## ACCESSORIES REQUIRED

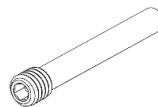
## WHAT'S IN THE BOX



Cylinder Assembly



Junction Box Adapter Plate with Driver



Canopy Lock Pin

## LUXE PIVOT - INSTALLATION INSTRUCTIONS

### STEP 1 | PREPARATION

Mount 4" round junction box to joist and install ceiling with pre-cut Ø4" (101.6 mm) hole.

### STEP 2 | INSTALLATION

#### Make Building Wire Electrical Connection

- Connect supply wires using approved wire nuts to the driver using the wiring diagram shown.

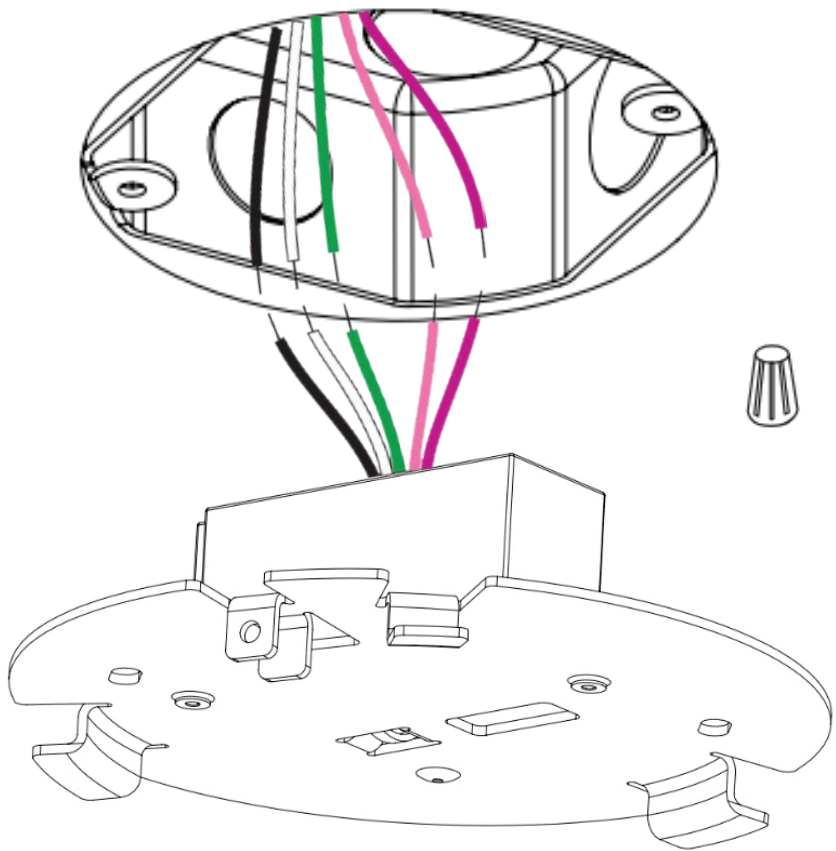
2

**! WARNING**

MAKE SURE THAT THERE ARE NO EXPOSED STRANDS OF WIRE THAT COULD CAUSE A DANGEROUS SHORT CIRCUIT!

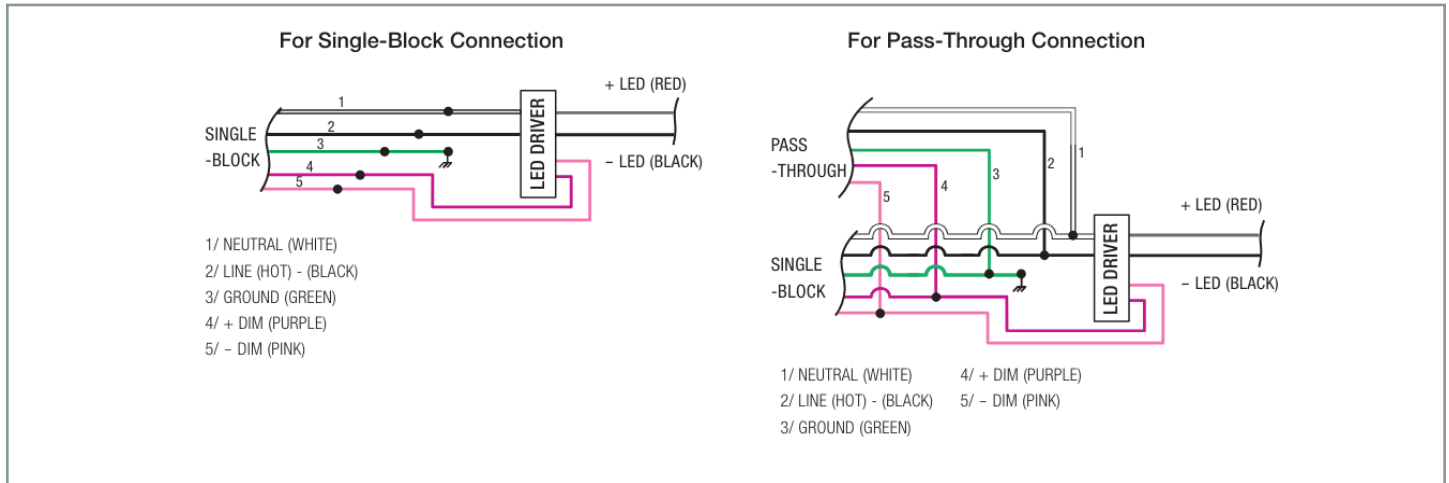
**! WARNING**

NEVER FASTEN THE GROUND WIRE (GREEN) TO THE HOT (BLACK) WIRE!  
FAILURE TO FOLLOW THIS INSTRUCTION COULD RESULT IN SERIOUS INJURY OR DEATH!



## LUXE PIVOT - INSTALLATION INSTRUCTIONS

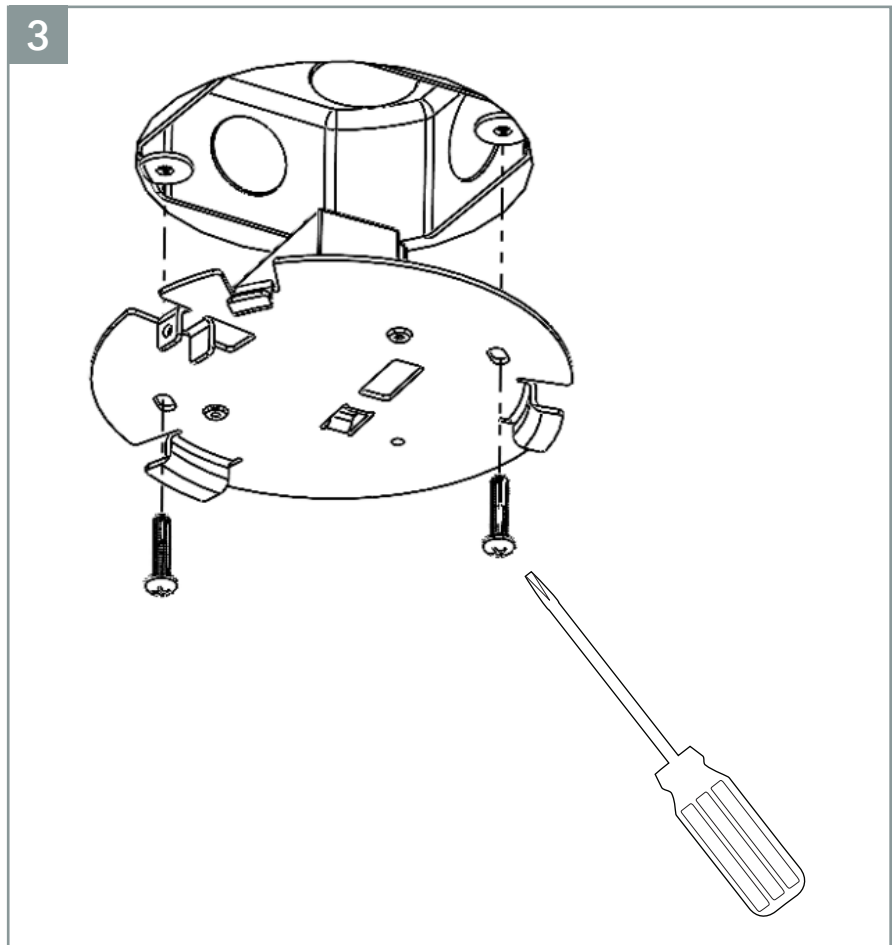
### WIRING DIAGRAMS



### STEP 3 | INSTALLATION

#### Attach Mounting Plate and Canopy

- Using #2 Phillips screwdriver, fasten mounting plate to junction box.

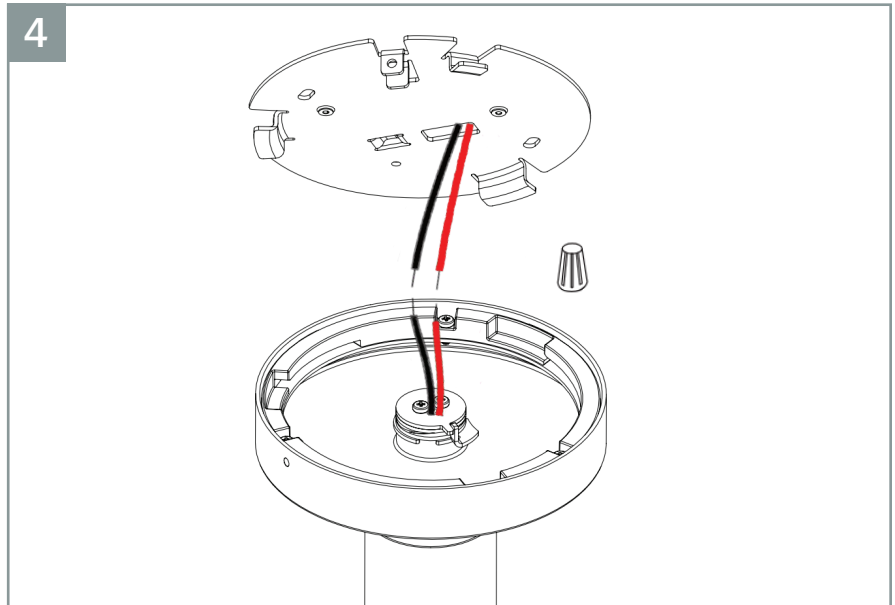


## LUXE PIVOT - INSTALLATION INSTRUCTIONS

### STEP 4 | INSTALLATION

#### Make DC Wire Electrical Connection

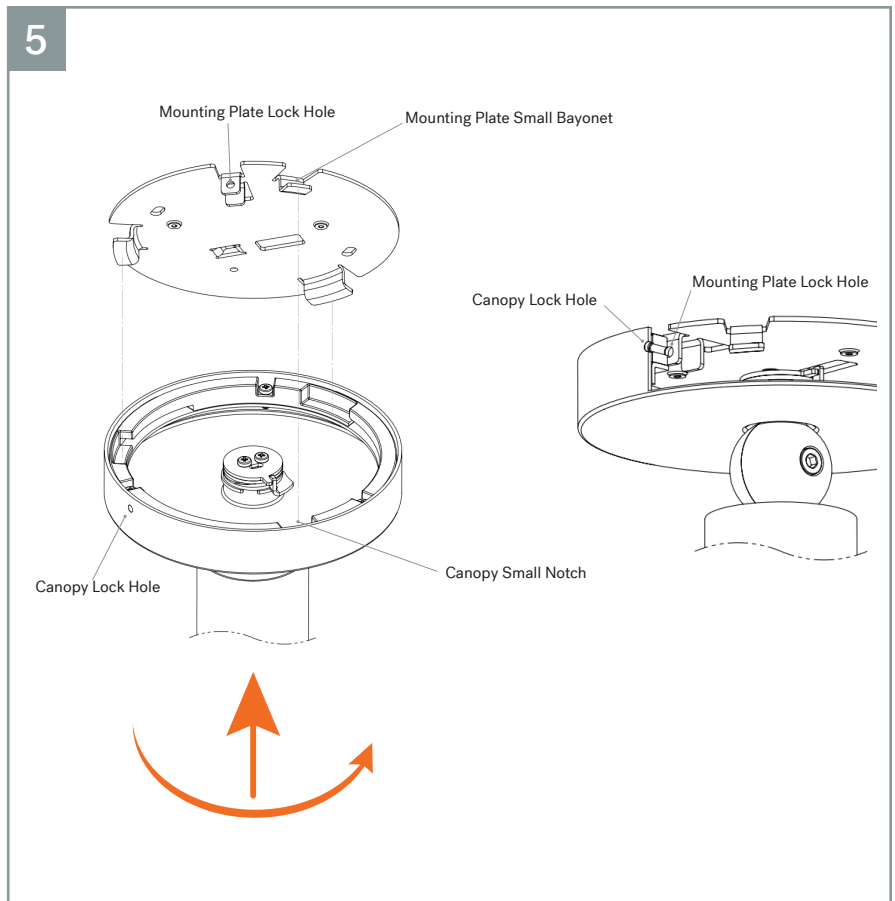
- Connect DC wires using approved wire nuts to the cylinder using the wiring shown.



### STEP 5 | INSTALLATION

#### Attach Canopy

- Align Mounting Plate Small Bayonet to Small Notch on the Canopy,
- Push up then rotate clockwise until Canopy Lock Hole and Mounting Plate Lock Hole are aligned.

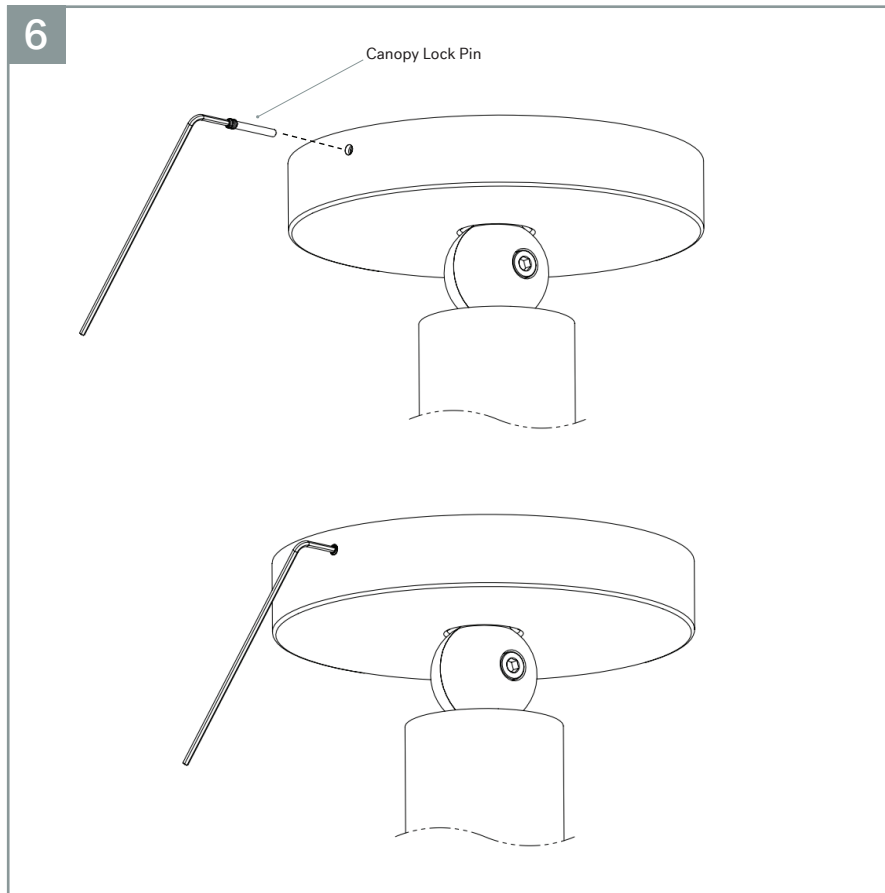


## LUXE PIVOT - INSTALLATION INSTRUCTIONS

### STEP 6 | INSTALLATION

#### Lock Canopy

- Using 1.5mm allen wrench, install Canopy Lock Pin to lock the Canopy to the Mounting Plate.

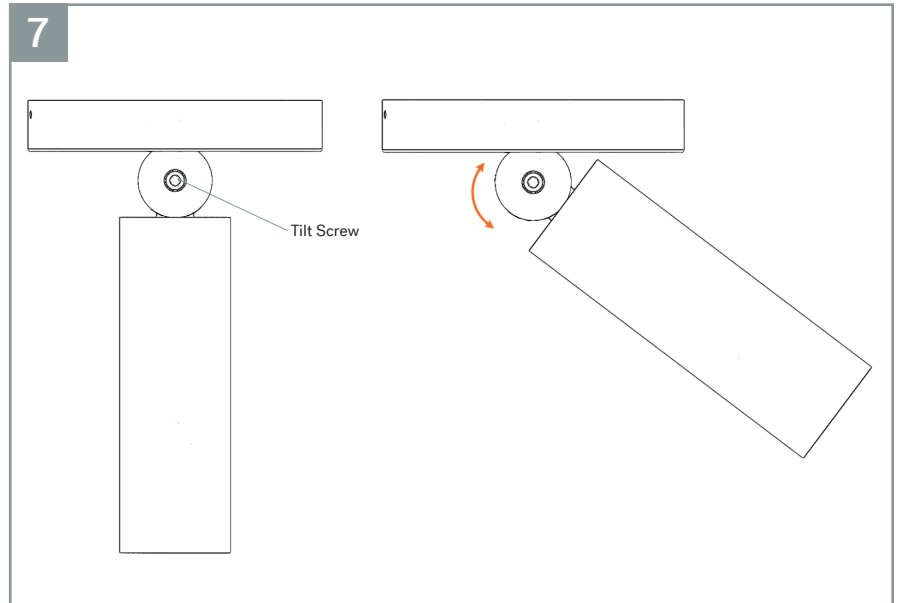


## LUXE PIVOT - INSTALLATION INSTRUCTIONS

### STEP 7 | ADJUSTMENT

#### Cylinder Tilt Adjustment

- Using a 4mm allen wrench loosen the Tilt Screw.
- Tilt Cylinder to desired position and lock Tilt Screw.



### STEP 8 | ADJUSTMENT

#### Cylinder Pan Adjustment

- Smoothly pan the cylinder into position.  
Do not over force.

