

LUXE CYLINDER - FLUSH MOUNT - INSTALLATION INSTRUCTIONS

**READ AND FOLLOW ALL SAFETY INSTRUCTIONS!
SAVE THESE INSTRUCTIONS AND DELIVER TO OWNER AFTER INSTALLATION.**

WARNING: RISK OF ELECTRIC SHOCK

- Before installation or servicing DISCONNECT POWER BY SHUTTING OFF THE CIRCUIT breakers both to the outlet box and to its associated wall switch.
- Installation and service of luminaires should be performed by a qualified licensed electrician in accordance with all local and National Electrical Codes.
- Do not install damaged product.
- Verify that supply voltage is correct by comparing it with the luminaire label information.
- All wiring connections should be capped with UL approved wire connectors.

WARNING: RISK OF INJURY

- Allow luminaire to cool before servicing.
- Follow all manufacturer's warning and restrictions for driver type, mounting locations, replacement and recycling.
- Wear safety glasses and gloves when installing, maintaining or servicing.
- Avoid direct eye exposure to the light source while it is on.

WARNING: RISK OF FIRE

- Do not separate any other wires that may be in the box.
- Do not damage the insulation of existing wiring.
- In regular circumstances the BLACK wire will be the "Hot" lead and the WHITE wire will be the "Neutral" or "Common" lead. A GREEN or BARE COPPER wire is the "Ground." In older buildings, it is always good practice to reconfirm the polarity of the wiring.

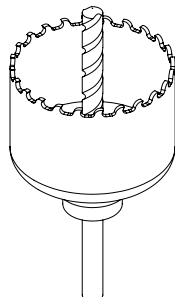
RISK OF PRODUCT DAMAGE

- Never connect components under load.
- Do not touch the yellow surface of the LED as it may damage the light engine.

TOOLS REQUIRED

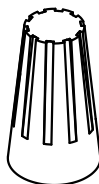


Size #2 Phillips
Screw Driver



Hole Saw
(Or Speed Router)

ACCESSORIES REQUIRED



Electrical Wire Nut

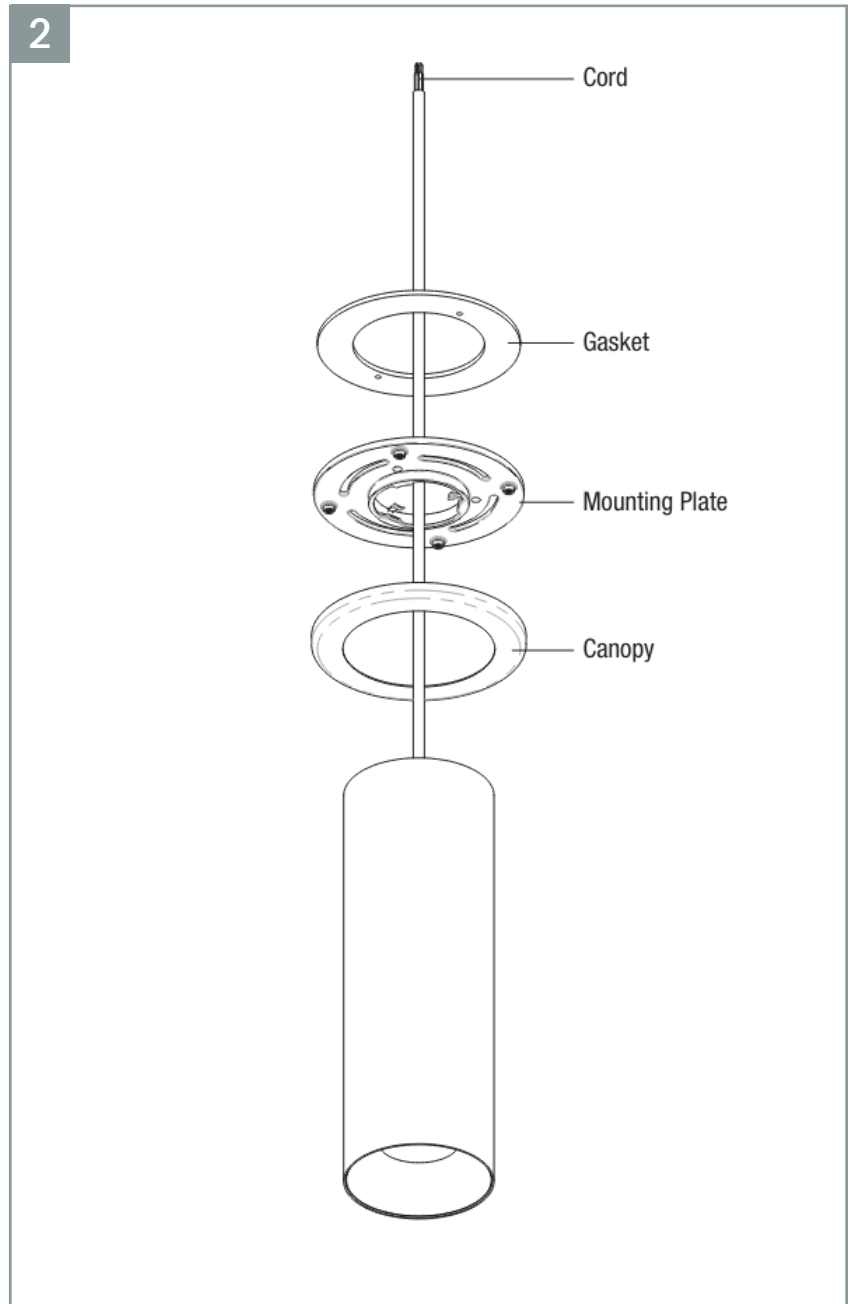
LUXE CYLINDER - FLUSH MOUNT - INSTALLATION INSTRUCTIONS

STEP 1 | PREPARATION

Mount 4" round junction box to joist and install ceiling with pre-cut Ø4" (101.6 mm) hole.

STEP 2 | ASSEMBLY

Insert cord through mounting plate in order shown.

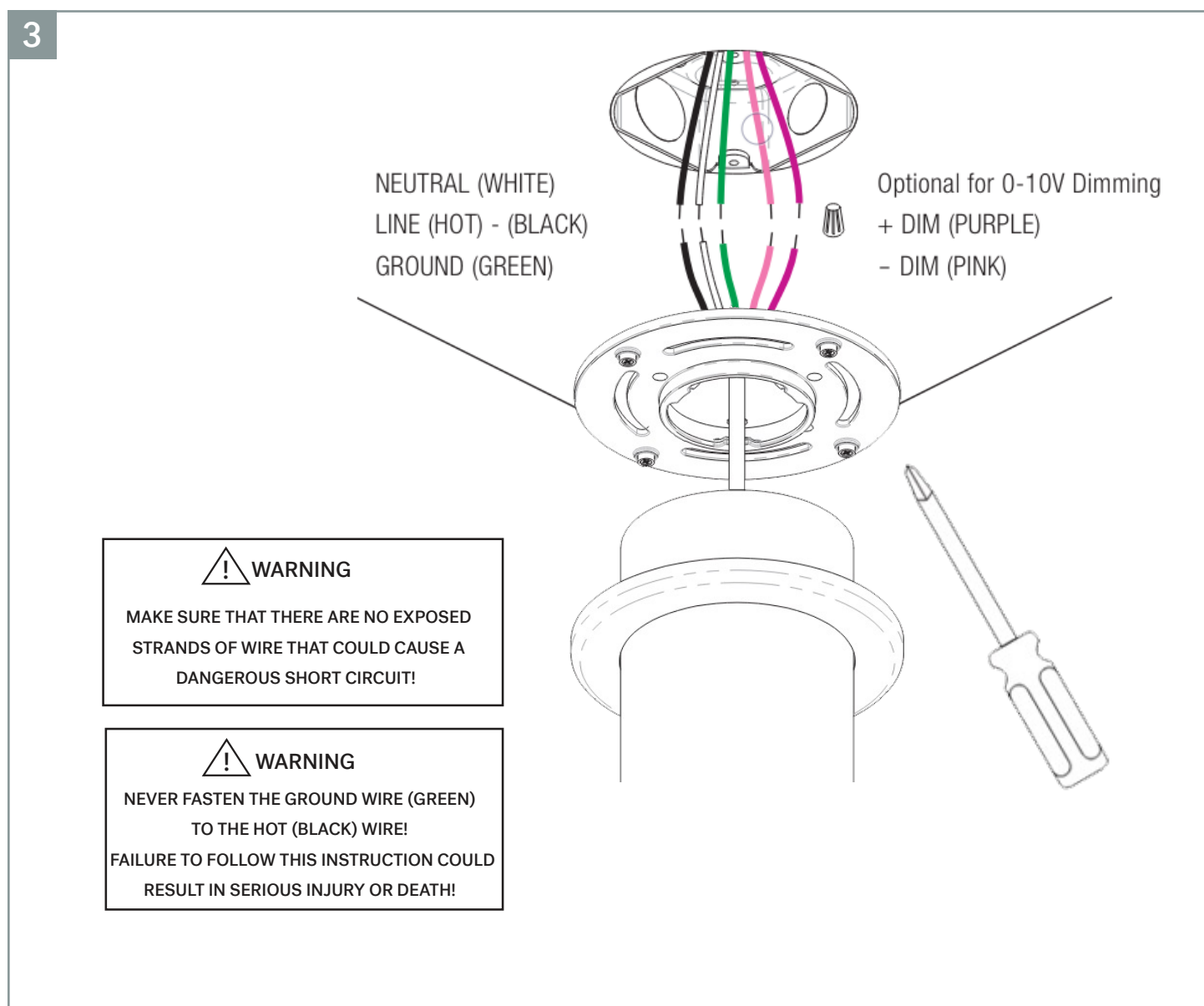


LUXE CYLINDER - FLUSH MOUNT - INSTALLATION INSTRUCTIONS

STEP 3 | INSTALLATION

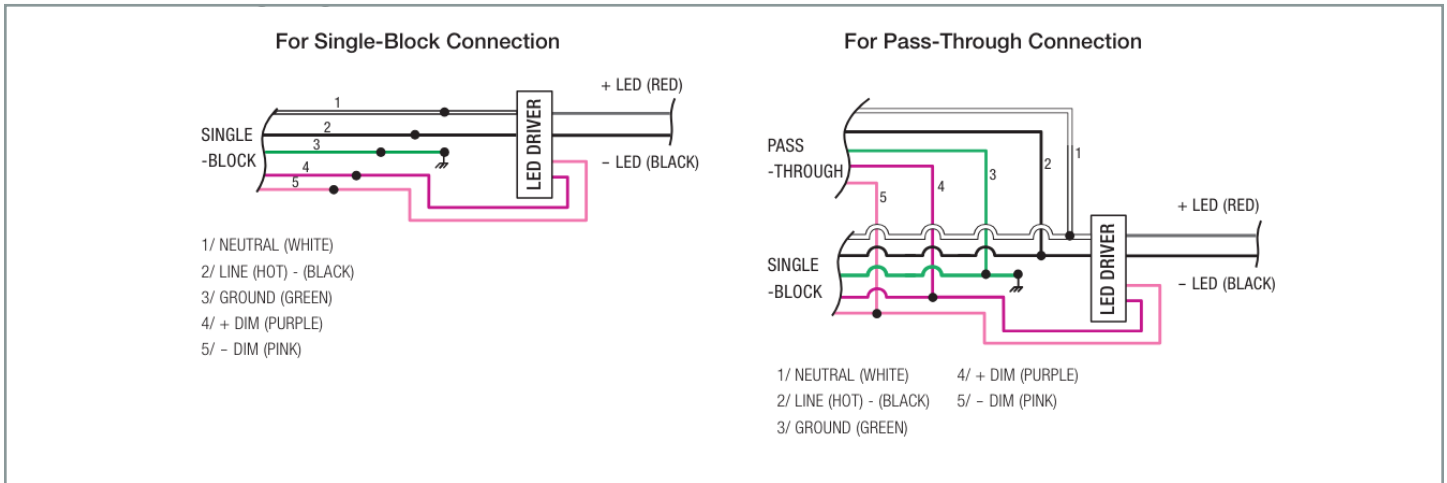
Attach Mounting Plate & Make Electrical Connections

- Using a #2 Phillips screwdriver fasten mounting plate to junction box.
- Connect supply wires using approved wire nuts to the cylinder using the wiring diagram shown.



LUXE CYLINDER - FLUSH MOUNT - INSTALLATION INSTRUCTIONS

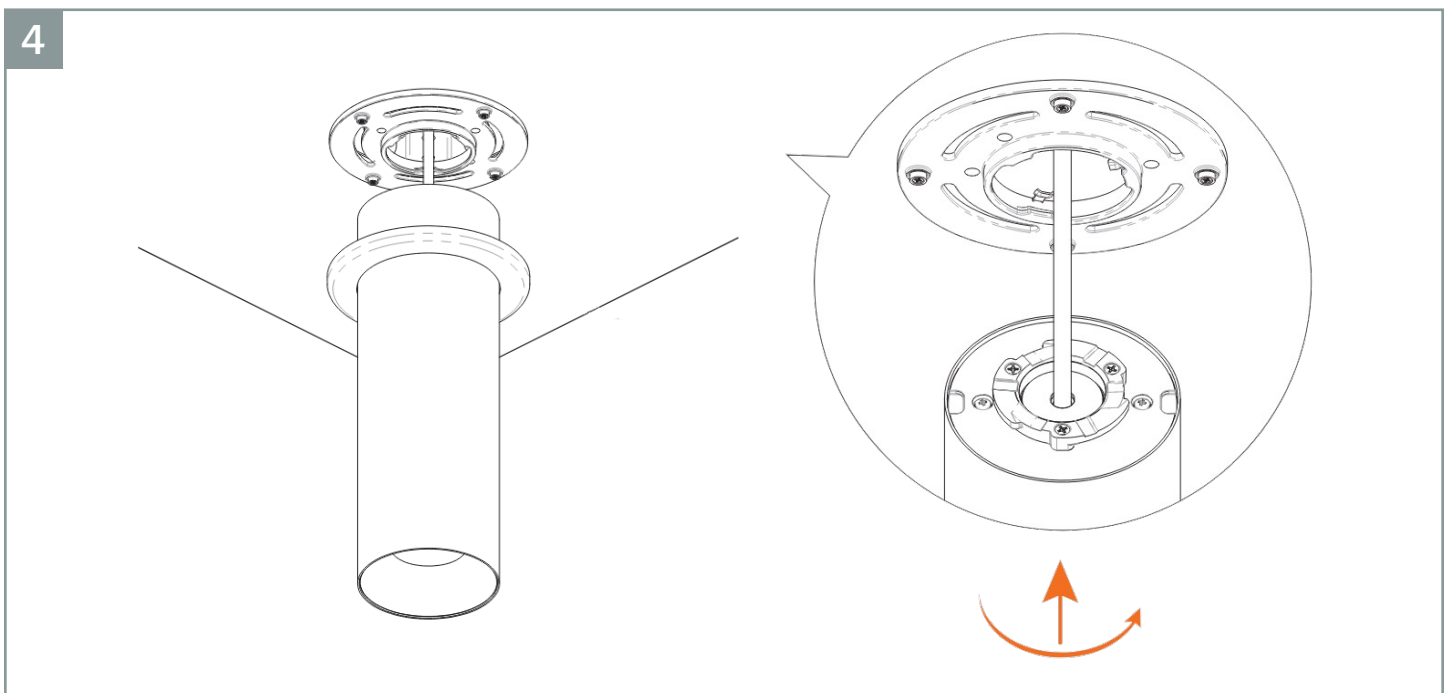
WIRING DIAGRAMS



STEP 4 | INSTALLATION

Attach Cylinder and Canopy to Mounting Plate

- Align cylinder bayonet to notches on mounting plate, push up & clockwise to lock.



LUXE CYLINDER - FLUSH MOUNT - INSTALLATION INSTRUCTIONS

REMOVING/INSTALLING OPTICS OR MEDIA

- Remove Bezel by rotating it counter-clockwise.
- Remove Optic by rotating it counter-clockwise.
(For 2", use Optic Removal Tool).
- If attaching Media, remove Media Holder, place Media(s) and reattach Media Holder to Optic.
- If installing Optic, with desired Optic reverse the previous steps.

