

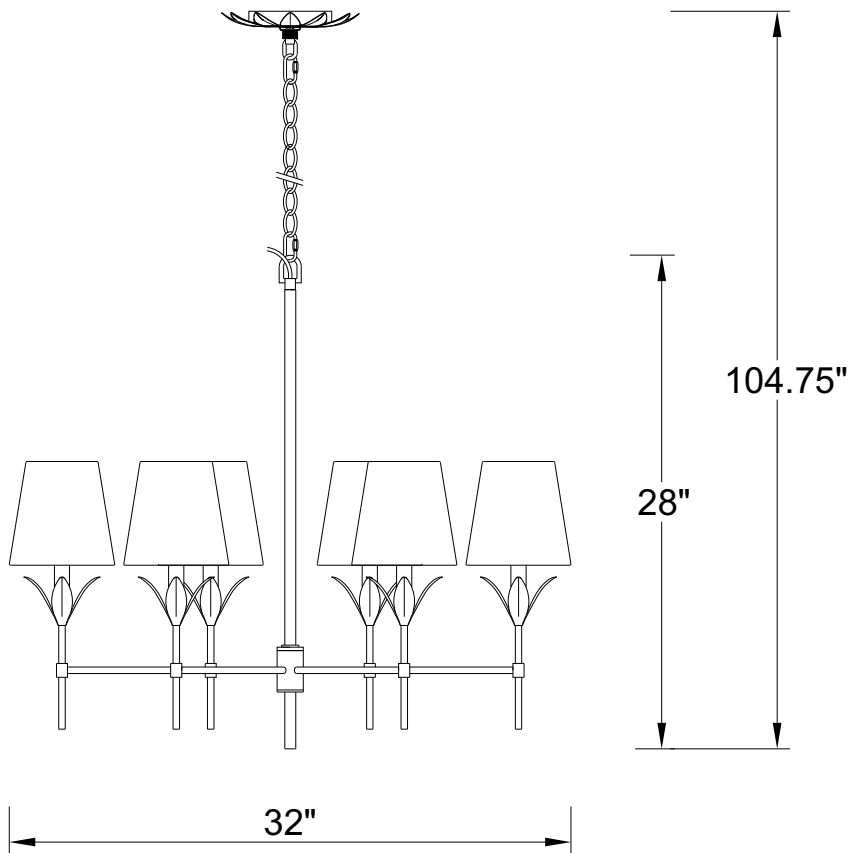
# CRYSTORAMA

LIGHTING THE WAY FOR SIXTY YEARS



Crystorama.com

## ASSEMBLY INSTRUCTION MODEL # 568-GA



All electrical components must be installed by a licensed electrician in accordance with the National Electric Code and the appropriate local electrical codes.

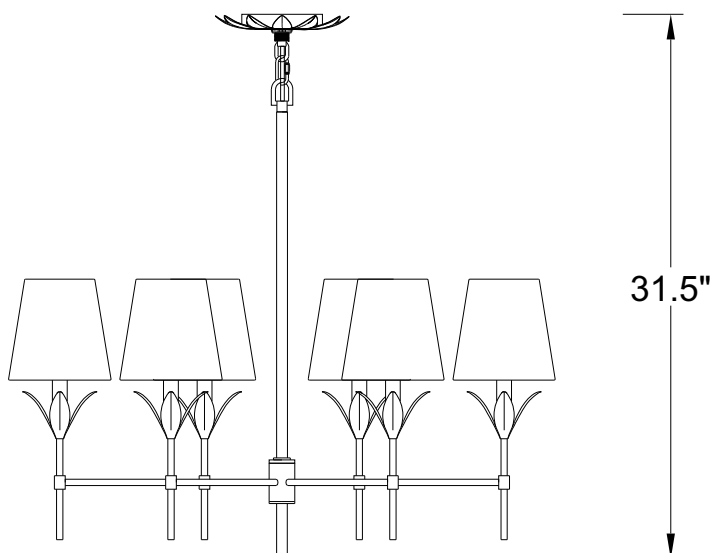


You will need 6 -Candelabra Bulb  
40 Watts Recommended 60 Watts Max.  
USE LED BULBS FOR EXTENDED USE  
THIS FIXTURE IS DRY RATED

### How to Install

- 1.Screw the top stem onto the the top of the frame.
- 2.Screw the bottom stem onto the bottom of the frame.
- 3.Install the mounting strap onto the outlet box.
- 4.Decide the preferred hanging height and choose the correct length of chain needed.
- 5.Raise the fixture up to the ceiling and do the wire connections. Secure the decorative leaves and canopy onto the outlet box using the collar ring.
- 6.Place the candle sleeve over the socket and the fabric shade over the candle sleeve.

### The minimum hanging height:



**⚠ WARNING:** This product can expose you to Lead, which is known to the State of California to cause cancer and/or birth defects or reproductive harm. For more information go to [www.P65Warnings.ca.gov](http://www.P65Warnings.ca.gov).

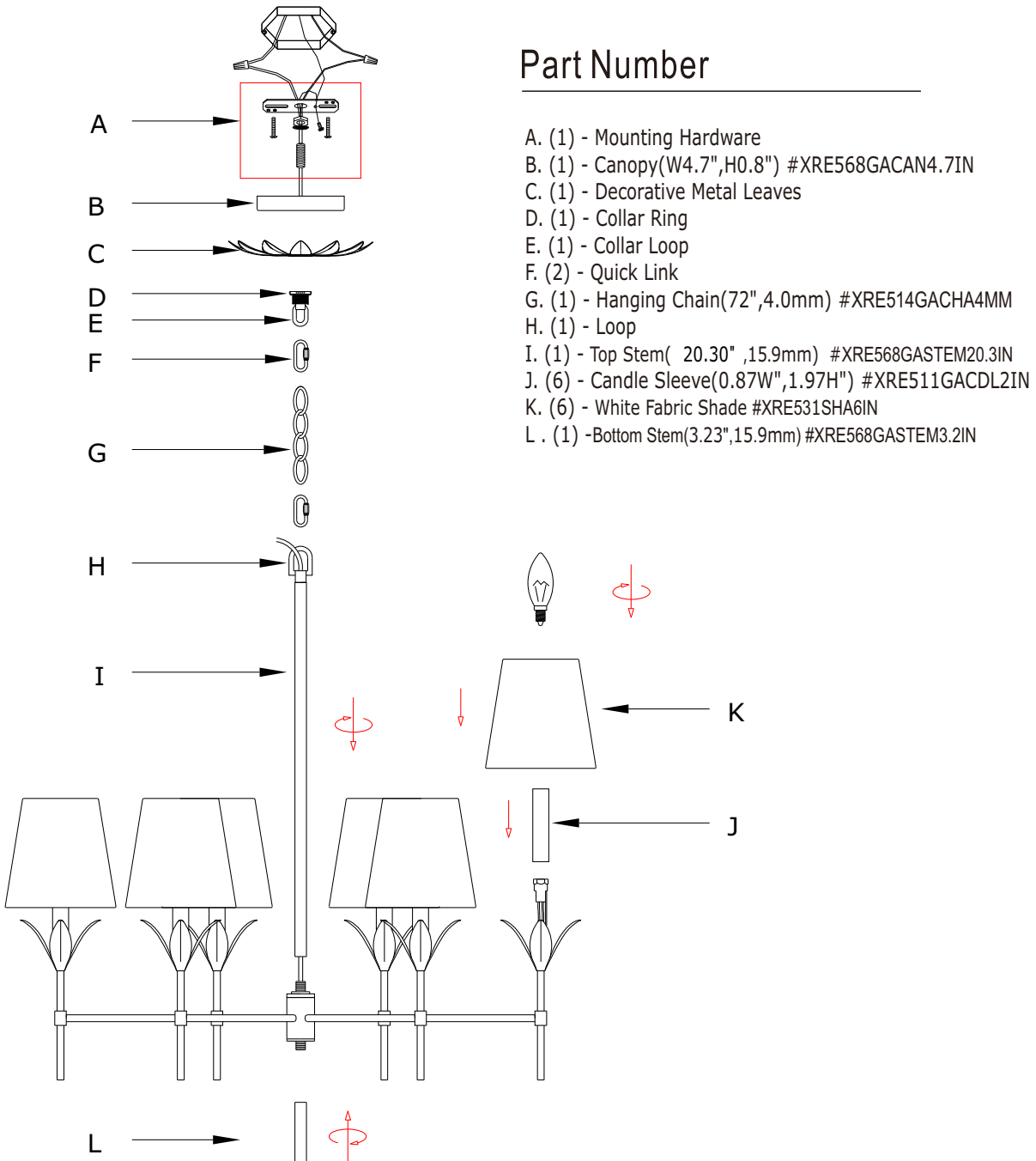
# CRYSTORAMA

LIGHTING THE WAY FOR SIXTY YEARS



Crystorama.com

PART NUMBER MODEL # 568-GA



## Part Number

- A. (1) - Mounting Hardware
- B. (1) - Canopy(W4.7",H0.8") #XRE568GACAN4.7IN
- C. (1) - Decorative Metal Leaves
- D. (1) - Collar Ring
- E. (1) - Collar Loop
- F. (2) - Quick Link
- G. (1) - Hanging Chain(72",4.0mm) #XRE514GACHA4MM
- H. (1) - Loop
- I. (1) - Top Stem( 20.30" ,15.9mm) #XRE568GASTEM20.3IN
- J. (6) - Candle Sleeve(0.87W",1.97H") #XRE511GACDL2IN
- K. (6) - White Fabric Shade #XRE531SHA6IN
- L. (1) -Bottom Stem(3.23",15.9mm)#XRE568GASTEM3.2IN