

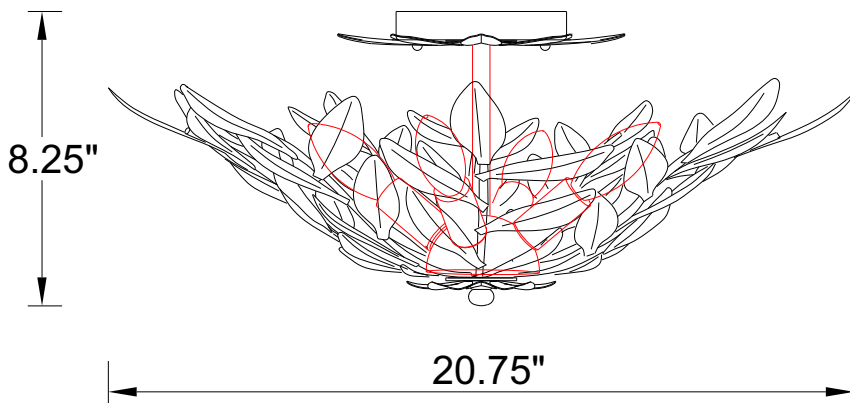
CRYSTORAMA

LIGHTING THE WAY FOR SIXTY YEARS



Crystorama.com

ASSEMBLY INSTRUCTION MODEL #560-GA



All electrical components must be installed by a licensed electrician in accordance with the National Electric Code and the appropriate local electrical codes.



You will need 4 -Candelabra Base Bulb
40 Watts Recommended 60 Watts Max.

USE LED BULBS FOR EXTENDED USE

THIS FIXTURE IS DAMP RATED

How to install

1. Thread the center stem onto the top of the light cluster. Slide the decorative leaves and canopy over the center stem and secure with the hex nut.
2. Insert recommended bulb (not included).
3. Raise the fixture up to the ceiling and make the wire connections. Secure the canopy over the outlet box with the two ball nuts.

WARNING: This product can expose you to Lead, which is known to the State of California to cause cancer and/or birth defects or reproductive harm. For more information go to www.P65Warnings.ca.gov.

CRYSTORAMA

LIGHTING THE WAY FOR SIXTY YEARS



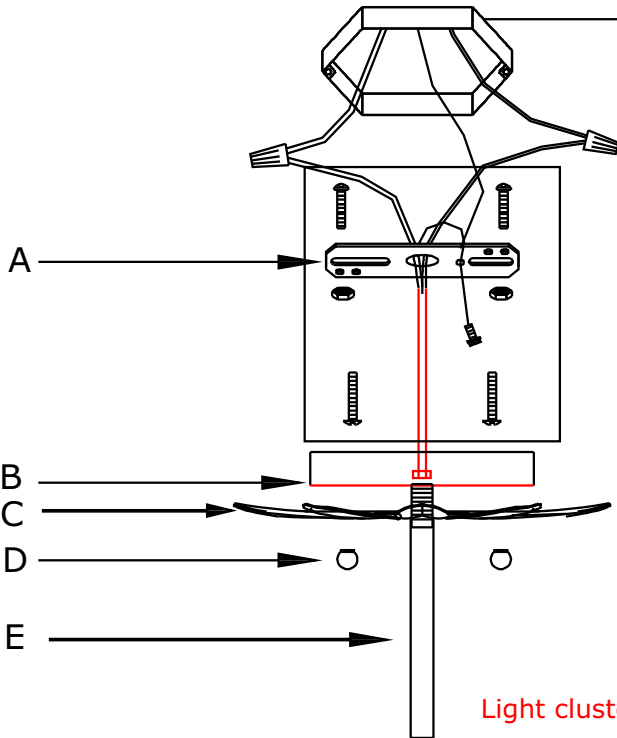
Crystorama.com

PART NUMBER MODEL #560-GA

Outlet Box

Part Number

- A. (1) - Mounting Hardware
- B. (1) - Canopy (W4.72", H0.79") XRE514GACAN4.72IN
- C. (1) - Decorative Metal Leaves
- D. (2) - Ball Nut #XRE560GABANUT
- E. (1) - Center Stem (4.7", 0.5") XRE560GASTEM4.7IN
- F. (1) - Leaf Assembly
- G. (1) - Finial #XRE505GAFIN



Light cluster

