



1958

# CRYSTORAMA

LIGHTING GROUP

95 Cantiague Rock Road Westbury, NY 11590 Tel:(516) 931-9090 Fax:(516) 931-1254 www.crystorama.com



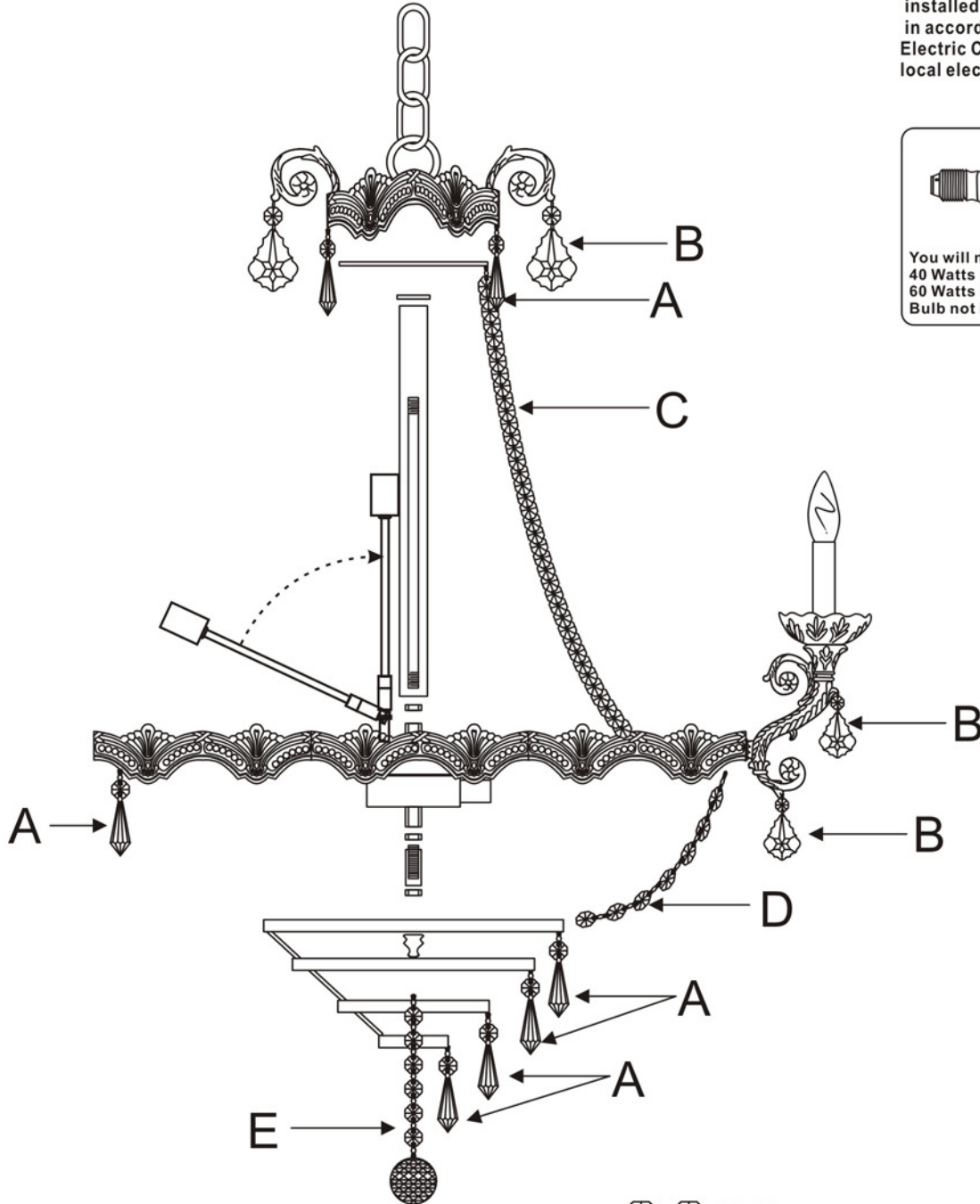
## MODEL#:1488 ASSEMBLY AND DRESSING INSTRUCTIONS

**WARNING:**

Electrical Danger Turn Power Off

All electrical components must be installed by a licensed electrician in accordance with the National Electric Code and the appropriate local electrical codes.

You will need 20 - Cand. Bulb  
40 Watts Recommended  
60 Watts Max  
Bulb not included.



A= (14mm+38mm)X400sets

B= (14mm+76mm)X24sets

C= (14mmX38)X40set

D= (28mmX2+26mmX2+24mmX2+20mmX2+18mmX2+16mm)X80sets

E= (14mmX6+40mm)X1pc