

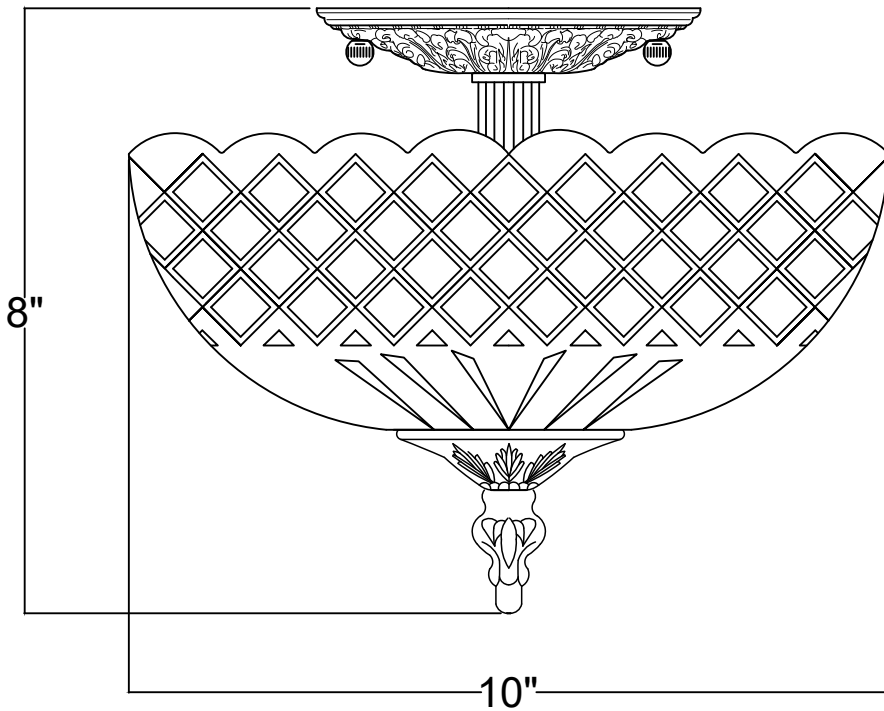
CRYSTORAMA

LIGHTING THE WAY FOR SIXTY YEARS

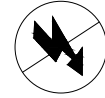


Crystorama.com

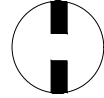
ASSEMBLY INSTRUCTION MODEL #66-CT-OB



WARNING:



Electrical Danger



Turn Power Off

All electrical components must be installed by a licensed electrician in accordance with the National Electric Code and the appropriate local electrical codes



You will need 2- Candelabra Base Bulb

40 Watts recommended 60 Watts Max.


USE LED BULBS FOR EXTENDED USE

The fixture is Damp rated

HOW TO INSTALL:

Place the fixture parts on a soft cloth-covered platform before installation of fixture.

1. Attach the mounting plate onto the outlet box.
2. Screw the threaded nipple into the coupler on the bottom of the light cluster and secure with the hex nut.
Slide the tubing, small check ring and big check ring over the threaded pipe and secure with the hex nut.
Slide the glass over the threaded nipple and secure with the vase cap and finial.
3. Raise the fixture up to the ceiling and make the wire connection.
Secure the canopy over the mounting plate using the ball nuts.

 **WARNING:** This product can expose you to Lead, which is known to the State of California to cause cancer and/or birth defects or reproductive harm. For more information go to www.p65warnings.ca.gov

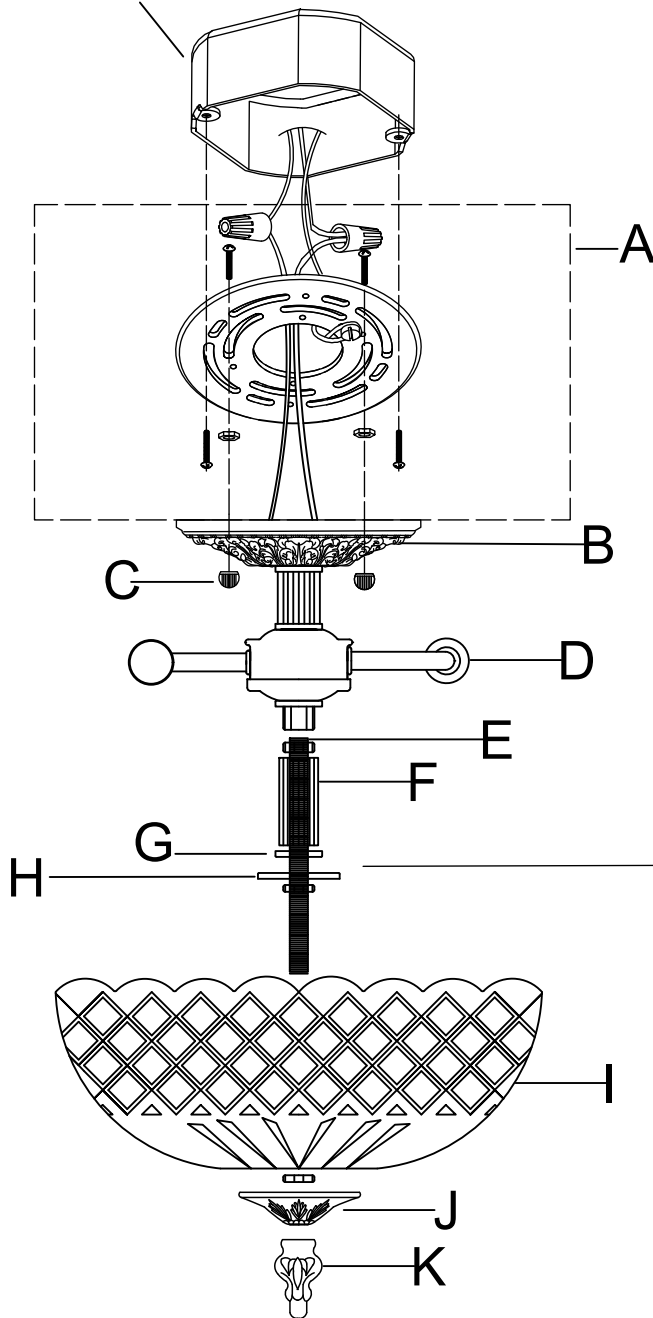
CRYSTORAMA



LIGHTING THE WAY FOR SIXTY YEARS

ASSEMBLY INSTRUCTION MODEL #66-CT-OB

Outlet Box



Part Number

Part Numbers

- A.(1)-Mounting hardware
 - Wire Connector × 2.
 - Mounting plate × 1.
 - Mounting Screw × 4.
 - Nut × 2.
- B.(1)-Canopy;5"W × 7/8"H-XSN66OBCAN5IN
- C.(2)-Ball Nut-XSN66OBBANUT
- D.(1)-Light cluster
- E.(1)-Threaded nipple;H2.5"
- F.(1)-Tubing ; 0.75"W, H1 1/4"
- G.(1)-Small check ring
- H.(1)-Big check ring
- I.(1)-Glass;Ø10" -XSN117GLA10IN
- J.(1)-Vase Cap ; Ø3"-XSN66OBCAP
- K.(1)-Finial-XSN66OBFIN