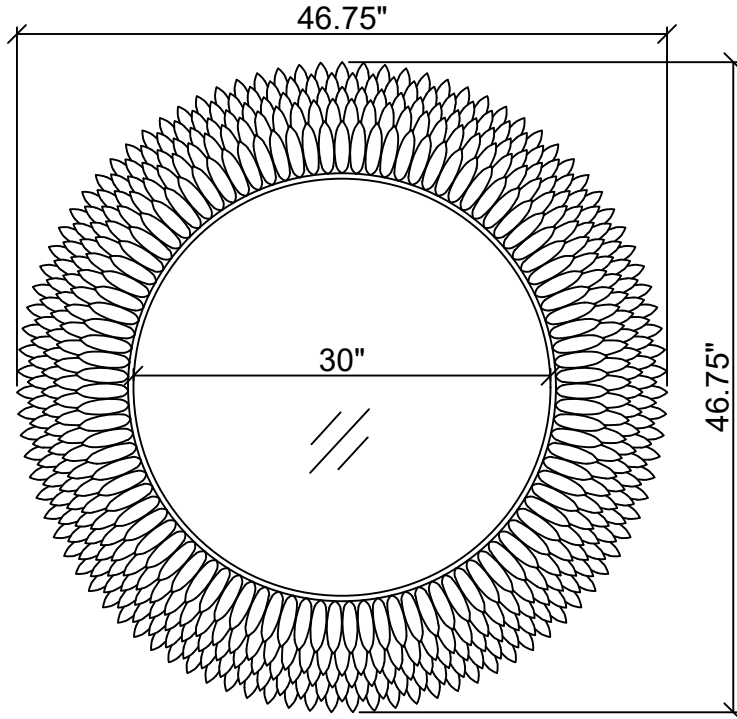


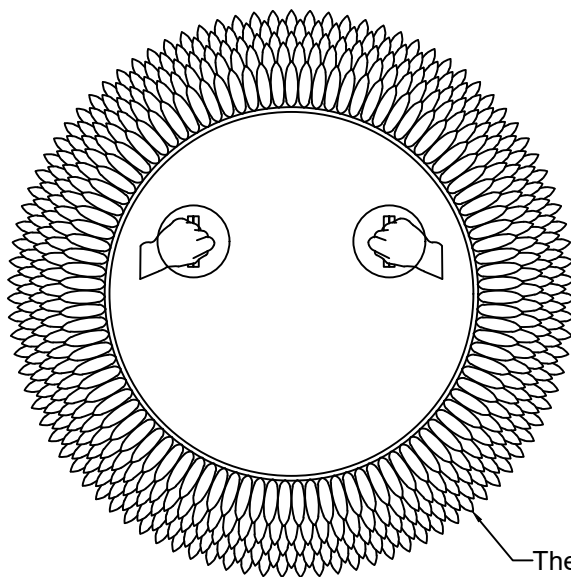
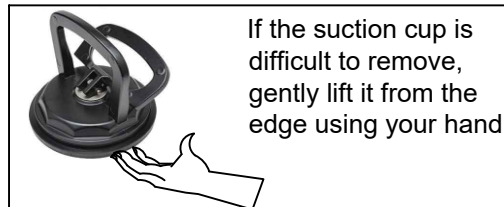
CRYSTORAMA LIGHTING



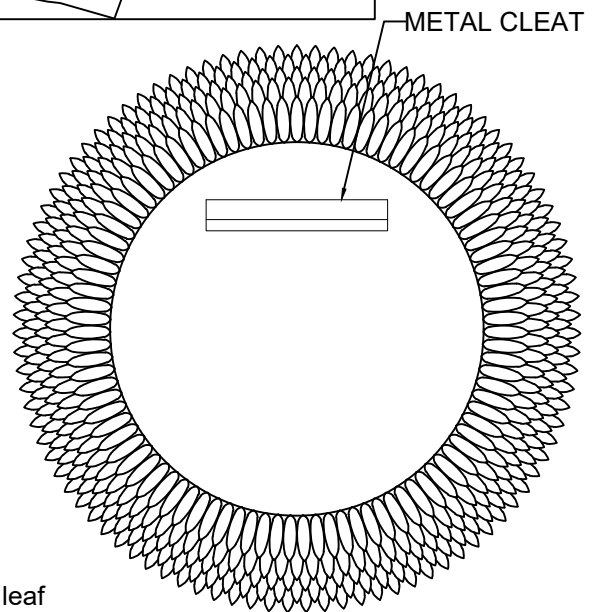
ASSEMBLY INSTRUCTION MODEL# BRH-M546-GA



1. Place the glass suction cup firmly against the surface of the mirror and make sure it is fully attached.
2. Gently pull on the suction cup to confirm that it is securely fastened to the mirror.
3. Grasp the handles of the suction cups with both hands and lift it simultaneously.



FRONT VIEW






BACK VIEW

WARNING: This product can expose you to Lead which is known to the state of California to cause cancer and/or birth defects or reproductive harm. For more information go to www.P65Warnings.ca.gov



INSTALLATION INSTRUCTIONS

ITEMS INCLUDED

Anchor(A):  Ø7.5[mm]x36[mm]x5 Wall cleat:  x1
Screws(B):  Ø4[mm]x40[mm]x5

NECESSARY TOOLS (NOT INCLUDED)



	<p>Step 1</p> <p>Place the metal cleat at the desired wall location and mark five points at the center of the hole on the metal cleat using the pencil.</p>
	<p>Step 2</p> <p>Drill the holes at the marked points and insert the anchors into the hole.</p>
	<p>Step 3</p> <p>Mount the metal cleat onto the wall surface using the screws supplied. Make sure that the metal cleat is straight using a level.</p>
	<p>Step 4</p> <p>Align the mirror with the metal cleat mounted on the wall and carefully push it into place to secure it.</p>