

CRYSTORAMA

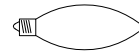


LIGHTING THE WAY FOR SIXTY YEARS

ASSEMBLY INSTRUCTION MODEL #4471-CH-CL-MWP

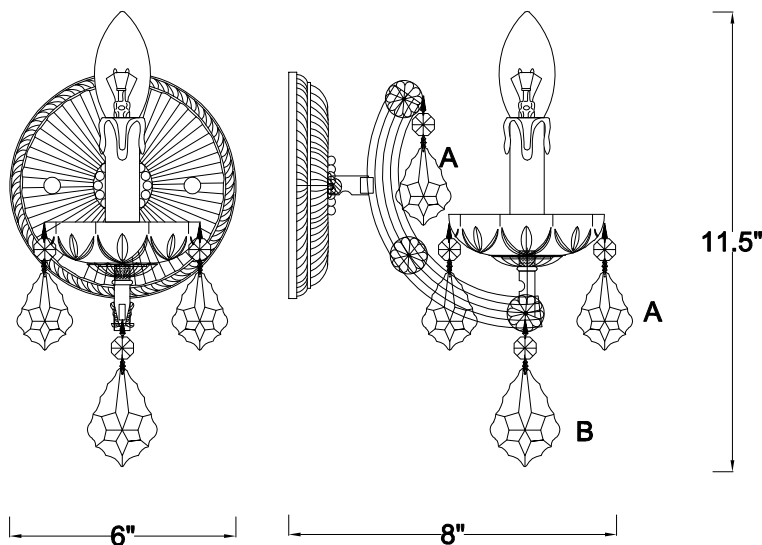


All electrical components must be installed by a licensed electrician in accordance with the National Electric Code and the appropriate local electrical codes.



You will need 1-Candelabra Base Bulb
40 Watts Recommended 60 Watts Max
USE LED BULBS FOR EXTENDED USE

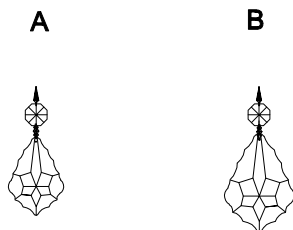
This fixture is Dry rated



How to Install

1. Do a complete inventory of all parts and components before you start installing.
2. Attach the mounting plate onto the outlet box using two outlet screws.
3. Install the fixture onto the mounting plate using the two ball nuts.
4. Install bobeches, candle sleeves, bulbs (not included) and proceed to connecting the power.
5. When you begin to dress the fixture, start with packet labeled (A).
6. IMPORTANT: Apply crystal sets in alphabetical order.

DETAILED ILLUSTRATION



Crystal Sets

- A. 5Sets. (1)14mm + AS20-2"
- B. 1Piece. (1)14mm+ AS20-2.5"

WARNING: This product can expose you to Lead, which is known to the State of California to cause cancer and/or birth defects or reproductive harm. For more information go to www.P65Warnings.ca.gov

CRYSTORAMA

LIGHTING THE WAY FOR SIXTY YEARS



PART NUMBER MODEL #4471-CH-CL-MWP

Part Number

Part Numbers

- A. (2)-Wire Connector
- B. (1)-Mounting Plate
- C. (2)-Outlet Box Screws
- D. (1)-Ground Wire
- E. (2)-Ball Nut(XFB4471CHBANUT)
- F. (1)-Backplate; w6" x h1.2"(XFB4471CHBKP6IN)
- G. (1)-Frame
- H. (1)-Bobèche; Ø4",26mm hole,4pin(XFB4471CHBOB4IN)
- I. (1)-Candle Sleeve; h3"(XFB4471CDL3IN)
- J. ()-Rosette

PART BAG I : Includes Parts A, C

