

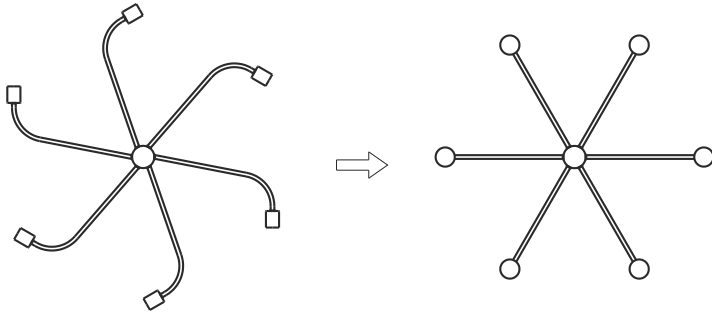
# CRYSTORAMA

LIGHTING THE WAY FOR SIXTY YEARS



Crystorama.com

## ASSEMBLY INSTRUCTION MODEL#XAV-B9316-VG-BL



ROTATE FIXTURE ARMS UP 90°



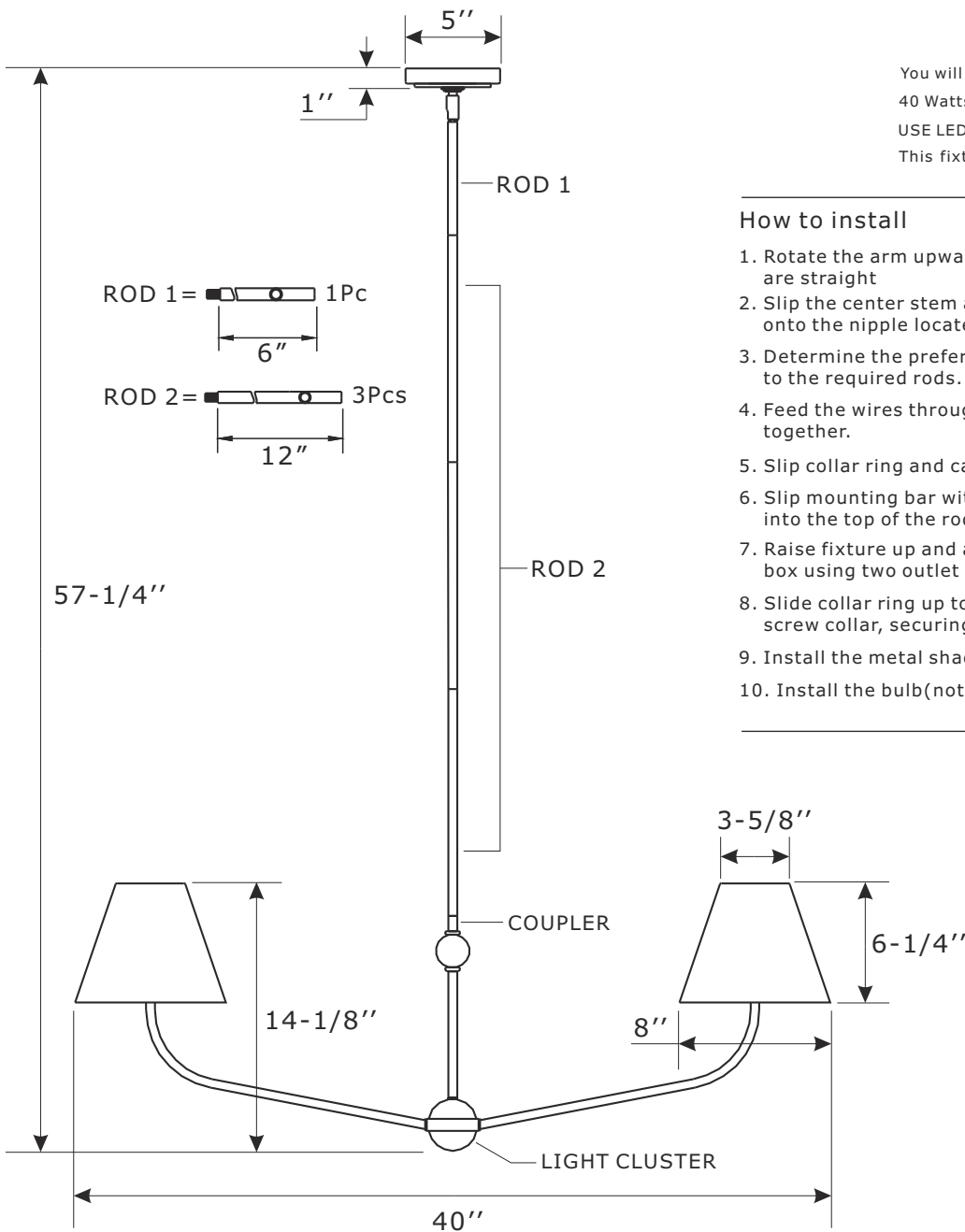
All electrical components must be installed by a licensed electrician in accordance with the National Electric Code and the appropriate local electrical codes.



You will need 6-Medium Base Bulb  
40 Watts Recommended 60 Watts Max.  
USE LED BULBS FOR EXTENDED USE  
This fixture is Damp rated

### How to install

1. Rotate the arm upwards 90 degree to make sure they are straight
2. Slip the center stem assembly along wire and thread onto the nipple located on the top of the light cluster.
3. Determine the preferred hanging height and adjust to the required rods.
4. Feed the wires through the rods and connect them together.
5. Slip collar ring and canopy over the rod assembly.
6. Slip mounting bar with swivel along wire and thread it into the top of the rod assembly.
7. Raise fixture up and attach mounting bar to the outlet box using two outlet box screws.
8. Slide collar ring up to canopy and thread it onto the screw collar, securing the canopy.
9. Install the metal shade onto the socket.
10. Install the bulb(not included) into the socket.



**WARNING:** This product can expose you to Lead which is known to the state of California to cause cancer and/or birth defects or reproductive harm. For more information go to [www.P65Warnings.ca.gov](http://www.P65Warnings.ca.gov)



## ASSEMBLY INSTRUCTION MODEL#XAV-B9316-VG-BL

### Part Number

#### Part Numbers

- A. (1)-Mounting hardware
- B. (1)-Canopy W5"xH1" #XRF9315VGBLCAN5IN
- C. (1)-Rod D1/2"xL6" #XRF9302VGR0D6IN
- D. (3)-Rod D1/2"xL12" #XRF9302VGR0D12IN
- E. (1)-Center stem assembly
- F. (6)-Socket
- G. (6)-Metal shade W8"xH6-1/4" #XRF9316BLSHA8IN

