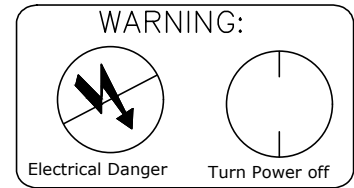
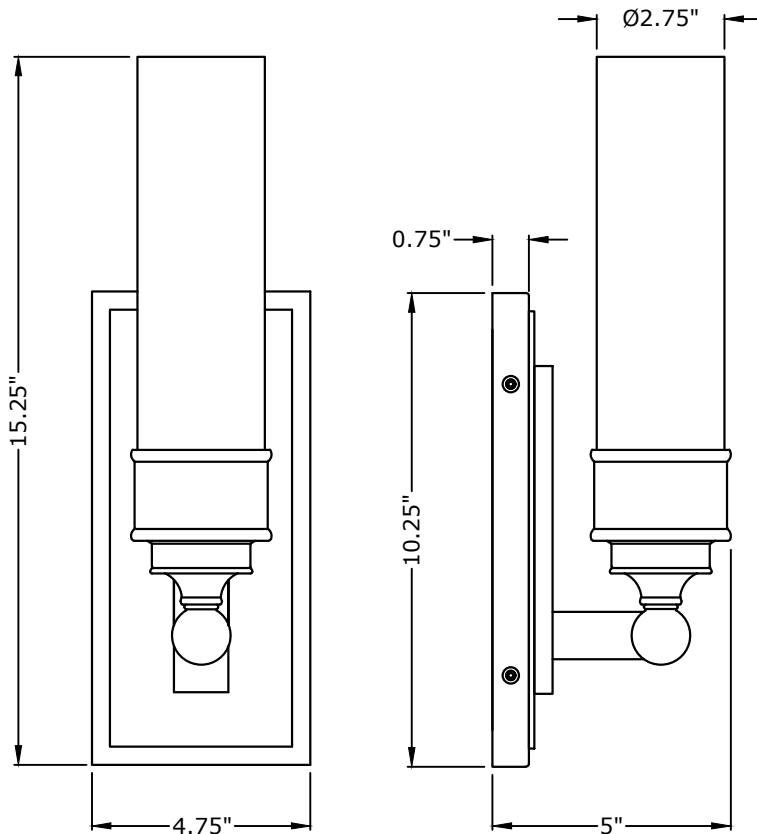




ASSEMBLY INSTRUCTION MODEL #WLX-301-AG

Drawing (1)



All electrical components must be installed by a licensed electrician in accordance with the National Electric Code and the appropriate local electrical codes.

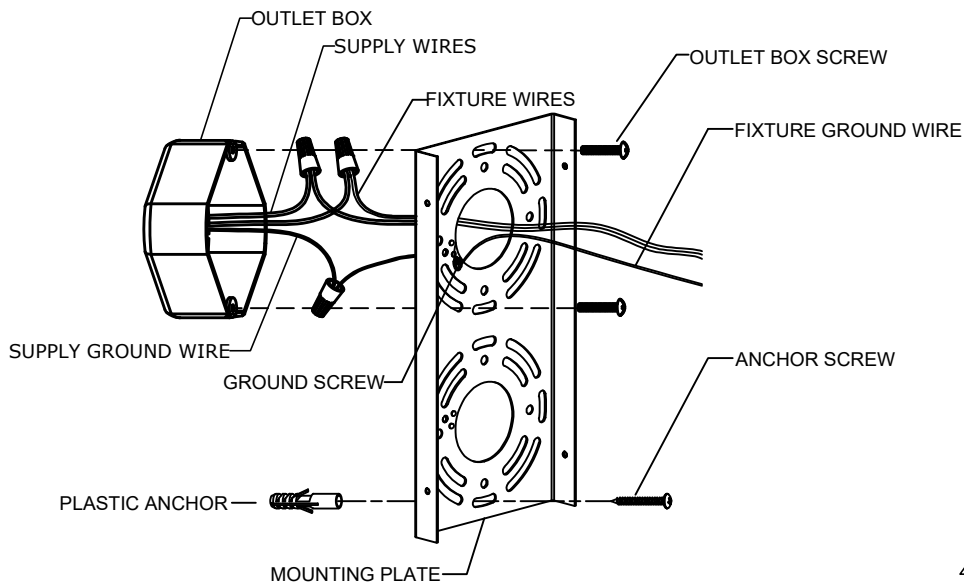


You will need 1 - Type T
 1 - 60 Watts MAX Incandescent Bulb (not included) OR
 1 - 8 Watts LED Bulb is included.
USE LED BULBS FOR EXTENDED USE
THIS FIXTURE IS DAMP RATED

Please place the fixture frame on a soft cloth covered table before the installation.

1. Place the mounting plate over the outlet box and mark one point on the wall at the center of hole on the bottom of the mounting plate. Insert the plastic anchor into the hole.
2. Install the mounting plate on the outlet box using two outlet box screws and one anchor screw.
3. Attach the Back plate (B) onto the Mounting Plate and secure with the 4 screws (C).
4. Install the Bulb (F) into the Socket.
5. Install the Glass Shade (E) into the Lamp Body(D).

Drawing (2)



⚠ WARNING: This product can expose you to Lead which is known to the state of California to cause cancer and/or birth defects or reproductive harm. For more information go to www.P65Warnings.ca.gov

CRYSTORAMA

LIGHTING THE WAY FOR SIXTY YEARS



ASSEMBLY INSTRUCTION MODEL #WLX-301-AG

Part Number

Part Numbers

- A. (1)-Mounting Hardware
- B. (1)-Back Plate W4.75" x H10.25"(XFW301AGBKP10.25IN)
- C. (4)-Mounting Screws
- D. (1)-Lamp Body
- E. (1)-Glass Shade W2.75" x H10.25"(XFW301GLA10.25IN)
- F. (1)-Bulb (included)

