

CRYSTORAMA

LIGHTING THE WAY FOR SIXTY YEARS



Crystorama.com

ASSEMBLY INSTRUCTION MODEL #SIM-804-MK-TG

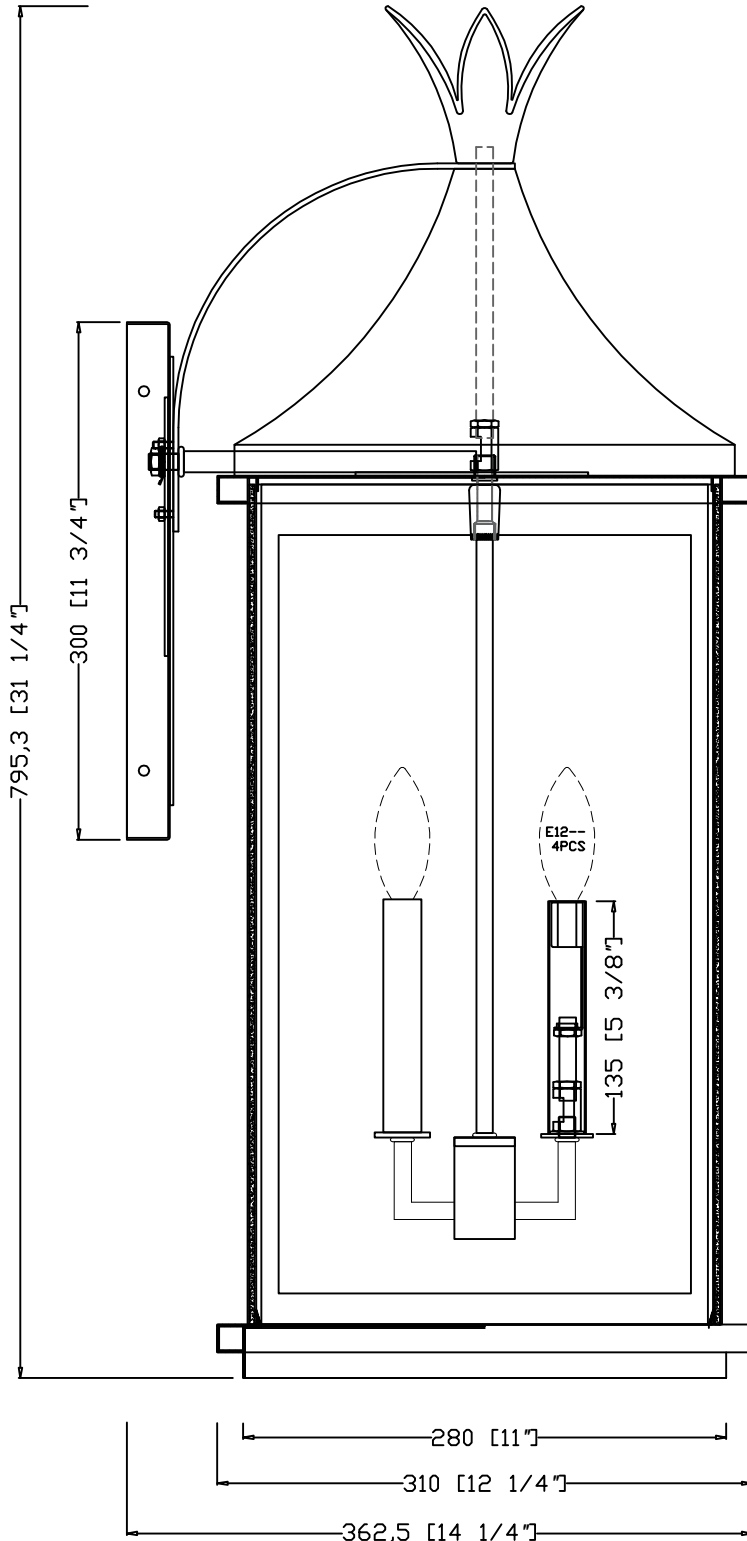


All electrical components must be installed by a licensed electrician in accordance with the National Electric Code and the appropriate local electrical codes.




You will need 4 - Cand. Bulb
40 Watts Recommended 60 Watts Max
USE LED BULBS FOR EXTENDED USE

THIS FIXTURE IS WET RATED



How to Install

- Loosen the back plate from the frame.
 - If the outlet box is around the center of the mounting plate, Attach the mounting plate onto the outlet box using the two outlet box screws directly.
 - If the outlet box is far off the center of the mounting plate, please proceed with the following steps:
 - Place the mounting plate over the outlet box and mark 4 holes on the wall surface at the center of the hole on the mounting plate.
 - Drill the holes at the marked points and insert the wall anchors.
 - Place the mounting plate over the outlet box and secure with the anchor screws.
- Install the glass panels onto the frame and secure with the clips on the bottom of the frame.
- Attach the back plate to the mounting plate using the machine screws.
- Install the bulb onto the socket.
- If the loop is preferred, please unscrew the decorative leaf finial and screw the loop onto the top of the frame.

 **WARNING:** This product can expose you to Lead, which is known to the State of California to cause cancer and/or birth defects or reproductive harm. For more information go to www.P65Warnings.ca.gov

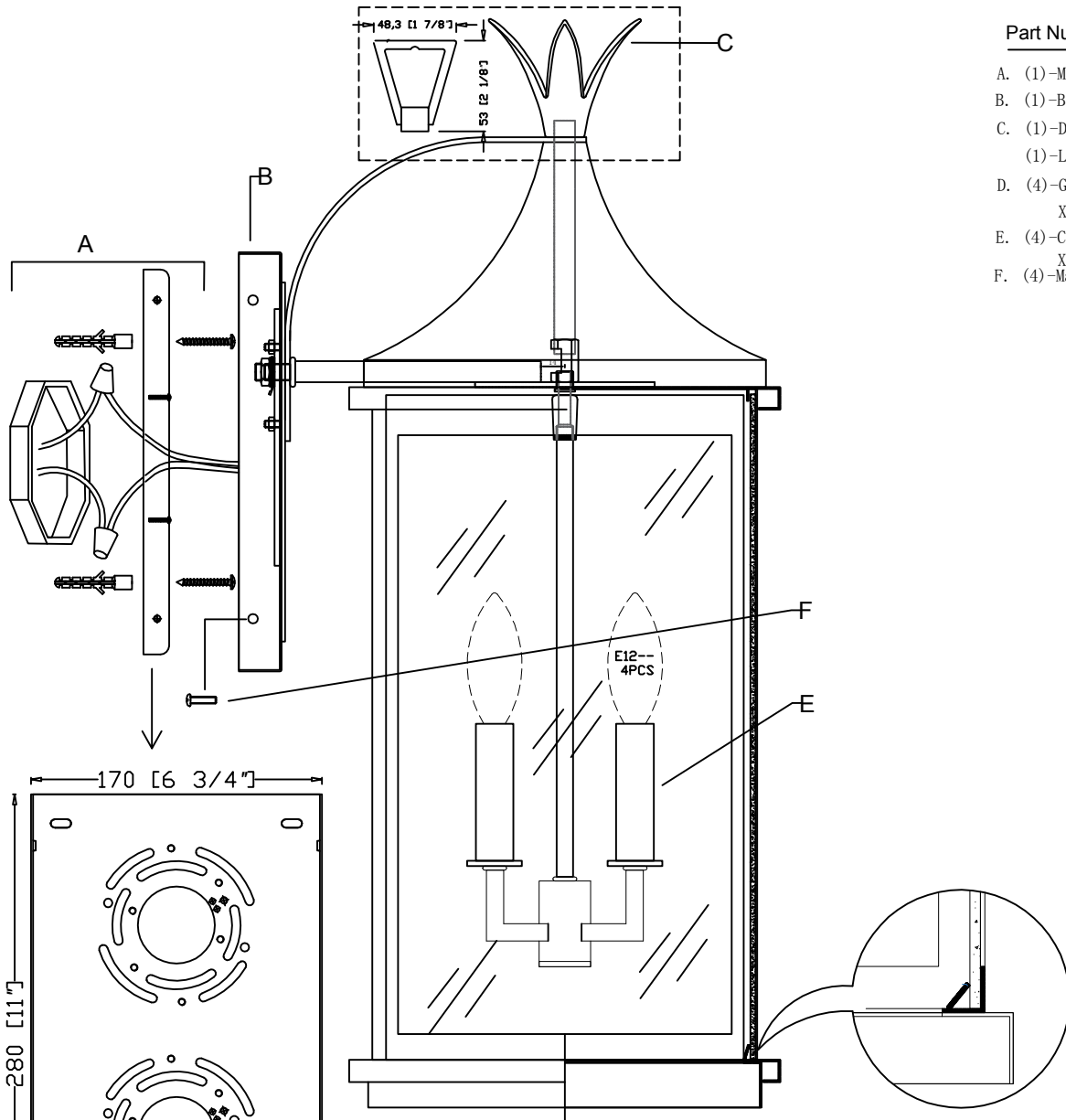
CRYSTORAMA

LIGHTING THE WAY FOR SIXTY YEARS



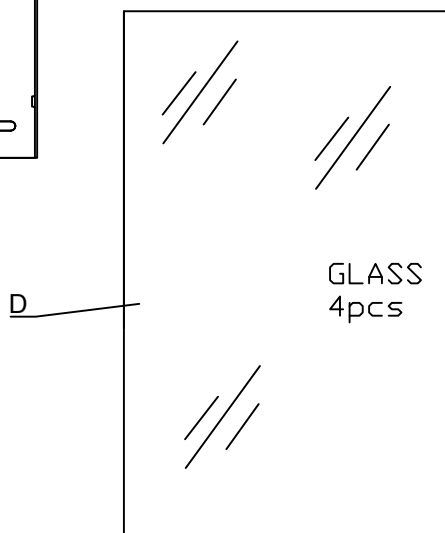
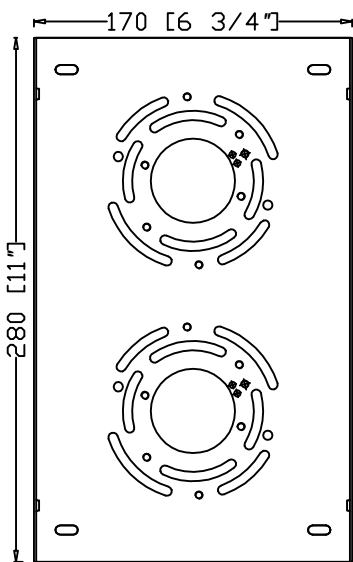
Crystorama.com

ASSEMBLY INSTRUCTION MODEL #SIM-804-MK-TG



Part Number

- A. (1)-Mounting Hardware
- B. (1)-Back Plate XAR804MKTGBKP11.75IN
- C. (1)-Decorative leaf finial
(1)-Loop
- D. (4)-Glass Panels;W10.25*H19.25"
XAR804GLA19.25IN
- E. (4)-Candle Sleeve 5.375"MK
XAR804MKCDL5.375IN
- F. (4)-Machine Screws



Installing/Changing Light Bulb

