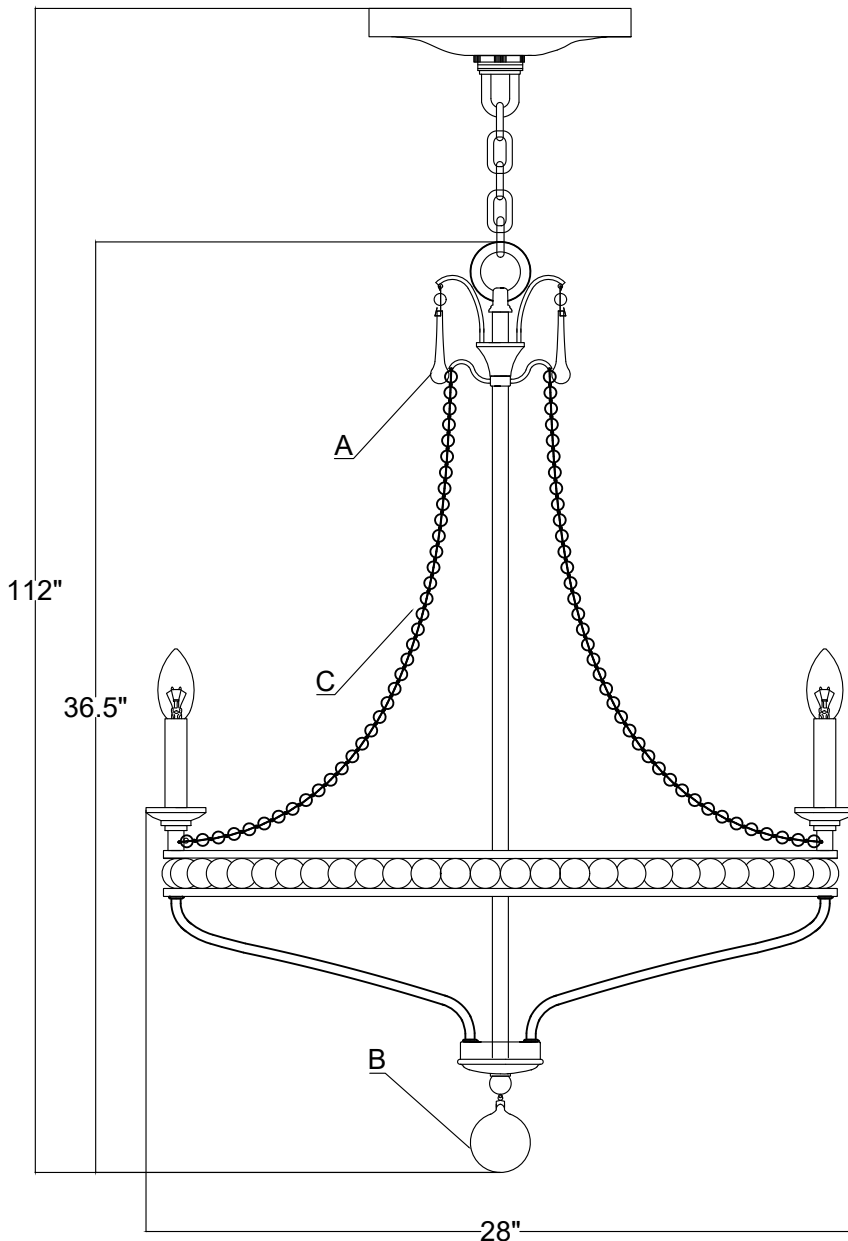


CRYSTORAMA



LIGHTING THE WAY FOR SIXTY YEARS

ASSEMBLY INSTRUCTION MODEL #SEV-1806-AG



WARNING:



Electrical Danger



Turn Power Off

All electrical components must be installed by a licensed electrician in accordance with the National Electric Code and the appropriate local electrical codes



You will need 6-Candabra Base Bulb

40 Watts recommended 60 Watts Max.

USE LED BULBS FOR EXTENDED USE

The fixture is Damp rated

HOW TO INSTALL:

Place the fixture parts on a soft cloth-covered platform before installation of fixture.

1. Attach the mounting bar onto the outlet box.
2. Decide the desired hanging height and adjust the chain to the correct length.
3. Feed the wire through the center stem then screw the stem onto the coupling on the lamp body. Screw the break onto the stem continue to pass the wire through the lower scroll, cup and upper scroll and secure with the loop kit.
4. Place the bottom cover over the distributor box and secure it with the finial.
5. Place the candle sleeve and crystal bobèche over the socket.
6. Raise the fixture up and do the wire connection. Place the canopy over the mounting bar and secure with the collar ring.
7. Dress the crystal as illustrated.

Crystal Sets

A. 6 Sets (1)12mm Ball + (1)63mm.

B. 1 Sets (1)50mm Ball.

C. 6 Sets (36)12mm Ball.

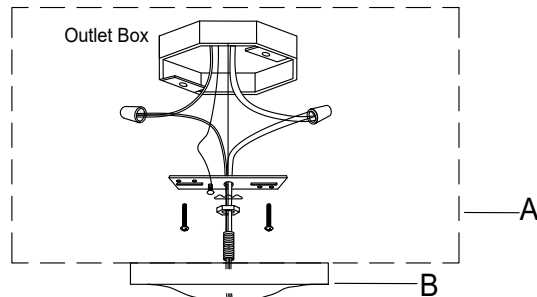
⚠ WARNING: This product can expose you to Lead, which is known to the State of California to cause cancer and/or birth defects or reproductive harm. For more information go to www.p65warnings.ca.gov

CRYSTORAMA



LIGHTING THE WAY FOR SIXTY YEARS

ASSEMBLY INSTRUCTION MODEL #SEV-1806-AG



Part Number

Part Numbers

- A.(1)-Mounting hardware
 - Wire Connector × 2.
 - Mounting Bar × 1.
 - Mounting Screw × 2.
 - Washer × 1.
 - Nut × 1.
 - Threaded nipple × 1.

- B.(1)-Canopy(W5.5"xH1")-XSN1806AGCAN5.5IN
- C.(1)-Collar Ring
- D.(1)-Collar Loop-XSN1806AGLOOP
- E.(1)-Chain(4mm×72")-XSN1806AGCHA4MM
- F.(1)-Loop kit
- G.(1)-Upper scroll
- H.(1)-Cup
- I.(1)-Lower scroll
- J.(1)-Break
- K.(1)-Stem ;H26 1/8"-XSN1806STEM26.125IN
- L.(6)-Crystal Bobeche; Ø2 3/8",H3/8"; 23mm center hole.
-XSN1806BOB2.375IN
- M.(6)-Metal Candle Sleeve ; Ø7/8", H4 1/8"
-XSN1806AGCDL4.125IN
- N.(1)-Lamp Body
 - Ø26 5/8" Metal frame with 6 holes on top
 - Ø30mm Crystal ball
 - Coupling
 - Distributor box
 - 12"Arm x6
- O.(1)-Bottom cover ; Ø3 3/8"-XSN1806AGCAP
- P.(1)-Finial-XSN1806AGFIN

