

CRYSTORAMA



Crystorama.com

LIGHTING THE WAY FOR SIXTY YEARS

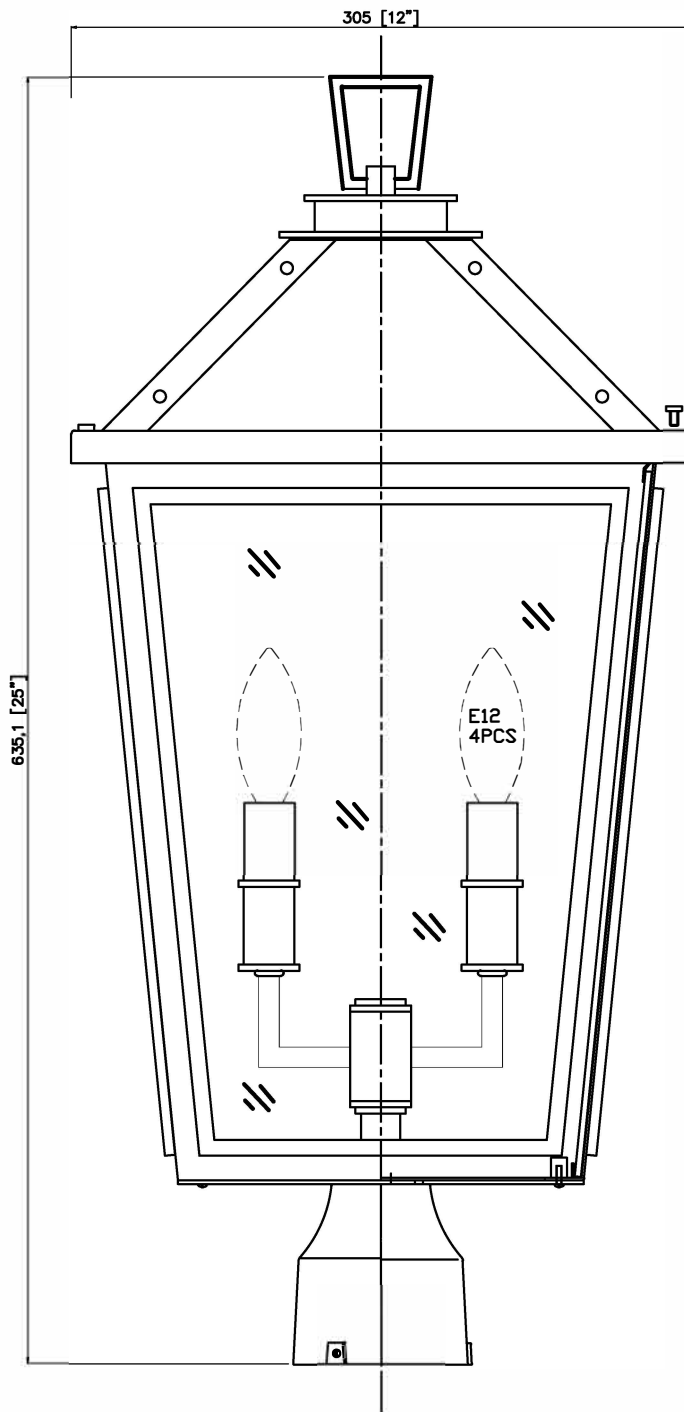
ASSEMBLY INSTRUCTION MODEL #HAW-609-MK-TG



All electrical components must be installed by a licensed electrician in accordance with the National Electric Code and the appropriate local electrical codes.



You will need 4-Candelabra Bulb
40 Watts Recommended 60 Watts Max
USE LED BULBS FOR EXTENDED USE
This fixture is WET rated



How to Install

1. Place the bottom cage over the post and mark 3 points on the post at the center of holes on the post fitter
2. Drill the holes at the marked points..
3. Insert the glass onto the bottom cage and secure with the clips,
4. Install the bulb into the socket.
5. Place the fixture over the post and do the wire connections. Secure the fixture onto the post with the screws.
6. Loosening the cap nuts on the bottom frame. Place the top cover onto the bottom cage and secure with the cap nuts.



WARNING: This product can expose you to Lead, which is known to the State of California to cause cancer and/or birth defects or reproductive harm. For more information go to www.P65Warnings.ca.gov

CRYSTORAMA



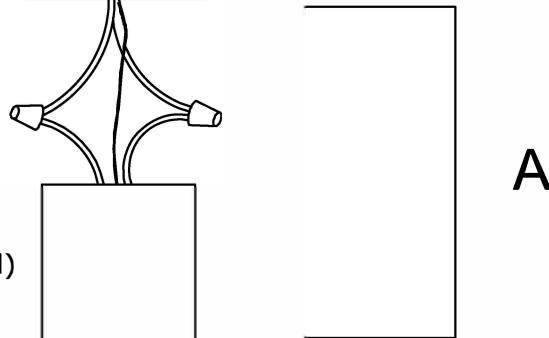
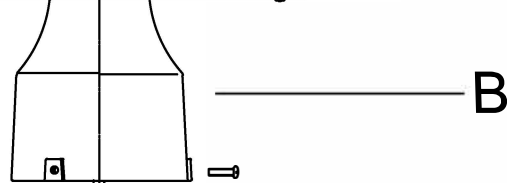
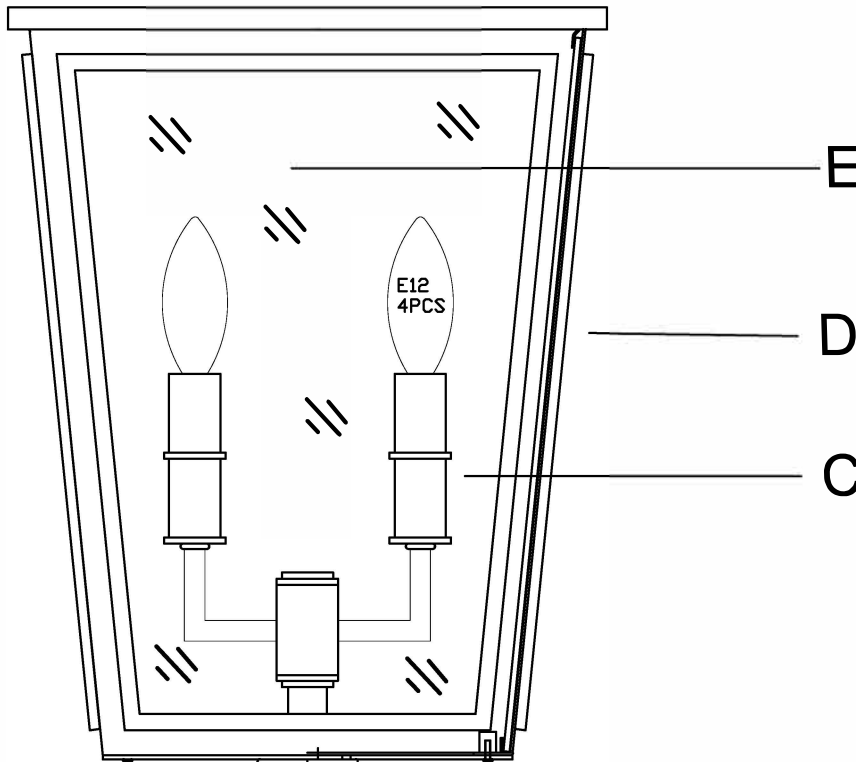
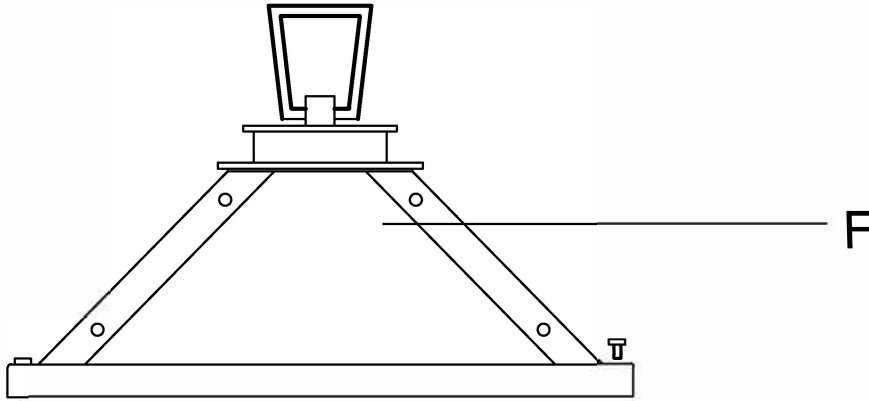
LIGHTING THE WAY FOR SIXTY YEARS

ASSEMBLY INSTRUCTION MODEL #HAW-609-MK-TG

Part Number

Part Number

- A. Mounting Hardware
(3)-Screw
(3)-Wire Nut
- B. (1)-Base; Ø3.4"x3.5"
- C. (1)-Light cluster
- D. (1)-Bottom cage
- E. (4)-Glass Panels; W13.13"xH13.75"
XAR603GLA13.75IN
- F. (1)-Top cover



Post (Not Included)

