

CRYSTORAMA



LIGHTING THE WAY FOR SIXTY YEARS

ASSEMBLY INSTRUCTION MODEL #HAW-605-MK-TG



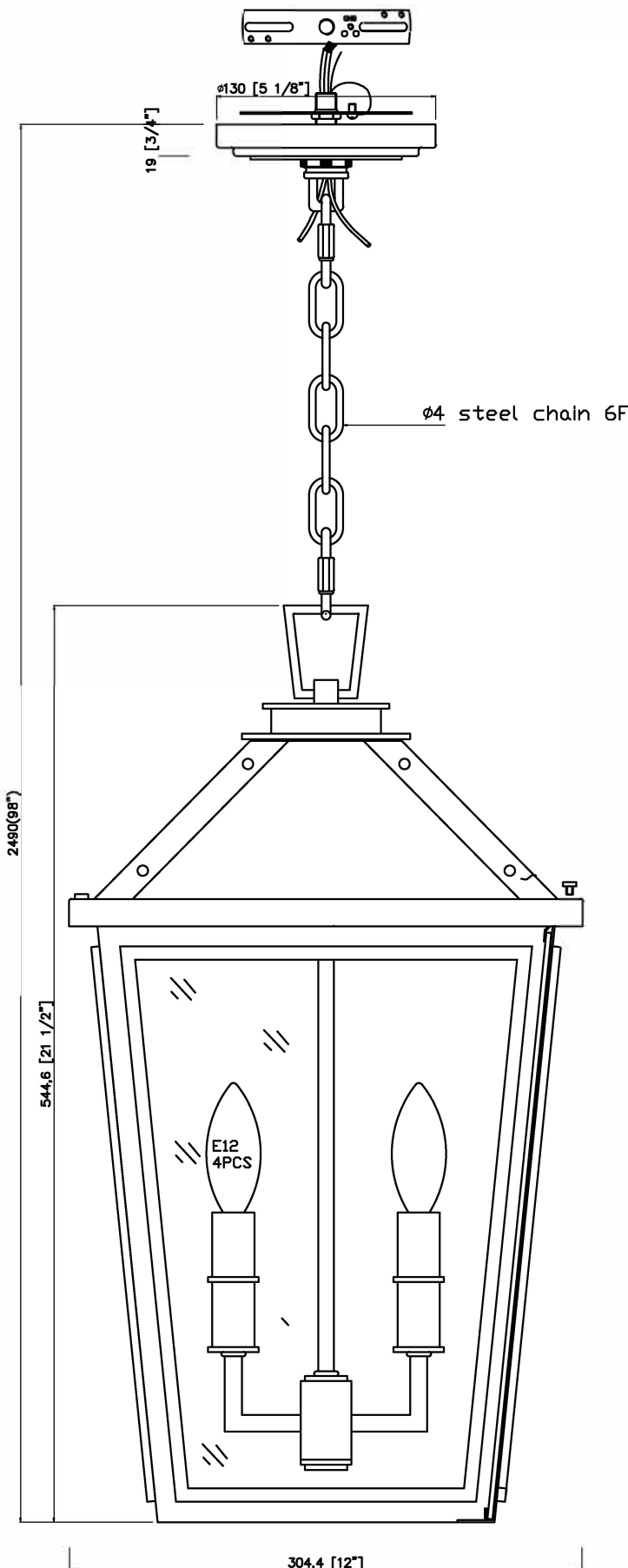
All electrical components must be installed by a licensed electrician in accordance with the National Electric Code and the appropriate local electrical codes.



You will need 4-Candelabra Bulb
40 Watts Recommended 60 Watts Max
USE LED BULBS FOR EXTENDED USE
This fixture is WET rated

How to Install

1. Remove the bottom cover from the top cage by loosening the cap nut and Install the bulb onto the socket .
2. Insert the glass into the bottom cage and secure with the clips.
3. Place the top cover over the bottom cage and secure with the cap nuts.
4. Attach the mounting bar to the outlet box using two outlet box screws.
5. Decide the desired hanging height and choose the correct length of chain needed.
6. Raise the fixture up to the ceiling and do the wire connection. Secure the canopy over the outlet box using the collar ring.



WARNING: This product can expose you to Lead, which is known to the State of California to cause cancer and/or birth defects or reproductive harm. For more information go to www.P65Warnings.ca.gov

CRYSTORAMA



Crystorama.com

LIGHTING THE WAY FOR SIXTY YEARS

ASSEMBLY INSTRUCTION MODEL #HAW-605-MK-TG

Part Number

- A. Mounting Hardware
 - (1) Mounting bar
 - (2) Machine Screw
 - (3) Wire Nut
- B. (1) Screw Collar Loop
- C. (1) Canopy; $\varnothing 5.5" \times 0.75" h$;
XAR605MKTGCAN5.5IN
- D. (1) Collar Ring
- E. (2) Quick Link
- F. (1) Chain; 72" Lx $\varnothing 4.0mm T$;
XAR605MKCHA4MM
- G. (1) Top Loop
- H. (1) Top cover
- I. (1) Bottom cage
- J. (1) Light cluster
- K. (4) Glass Panels; W10.13" * H13.75"
XAR603GLA13.75IN
- L. (4) Cap nut

