

CRYSTORAMA



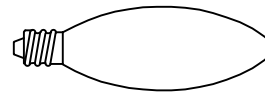
Crystorama.com

LIGHTING THE WAY FOR SIXTY YEARS

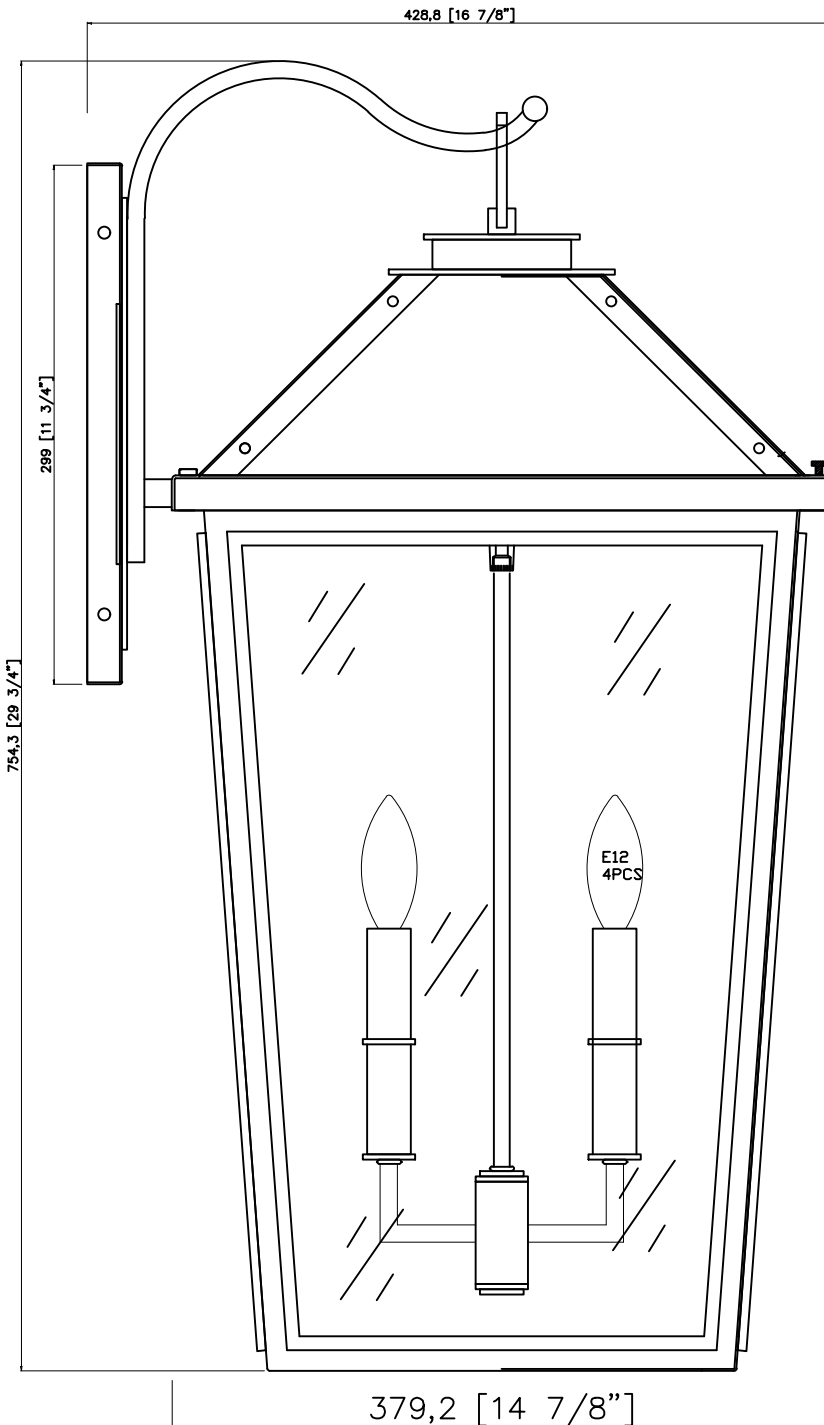
ASSEMBLY INSTRUCTION MODEL #HAW-604-MK-TG



All electrical components must be installed by a licensed electrician in accordance with the National Electric Code and the appropriate local electrical codes.



You will need 4 - Cand.Bulb
40 Watts Recommended 60 Watts Max
USE LED BULBS FOR EXTENDED USE
THIS FIXTURE IS WET RATED

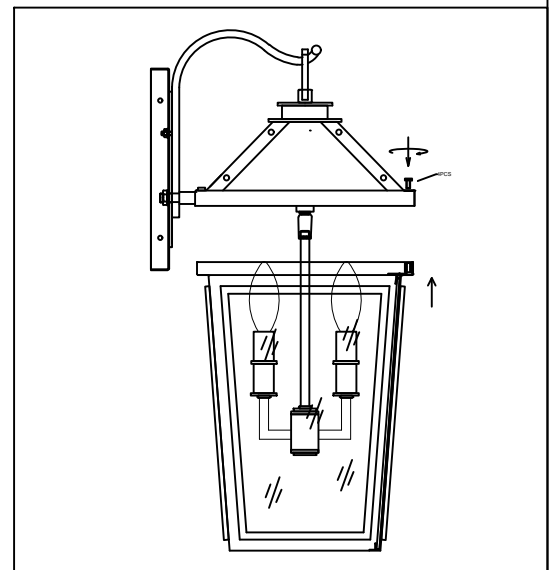


How to Install

1. Remove the top cover by loosening the cap nuts and install the bulb into the socket.
2. Insert the glass into the bottom cage and secure with the clip.
 - a.If the outlet box is around the center of the mounting plate, Attach the mounting plate onto the outlet using the two outlet box screws directly.
 - b.If the outlet box is far off the center of the mounting plate,please proceed with the following steps:
 - c.Place the mounting plate over the outlet box and mark 4 holes on the wall surface at the center of the holes on the mounting plate.
 - d.Drill 4 holes at the marked points and insert the wall anchors.
 - e.Place the mounting plate over the outlet box and secure with the anchor screws.
3. Place the back plate over the mounting plate and secure with the screws.
4. Raise the bottom cage up to slide over the light cluster into the top cover. Secure with the cap nuts.

How to change the bulb

1. Remove the top cage by loosening the cap nuts
2. After changing the bulbs, place the top cage onto the metal frame and secure with the cap nuts.



WARNING: This product can expose you to Lead, which is known to the State of California to cause cancer and/or birth defects or reproductive harm. For more information go to www.P65Warnings.ca.gov

CRYSTORAMA



LIGHTING THE WAY FOR SIXTY YEARS

ASSEMBLY INSTRUCTION MODEL #HAW-604-MK-TG

Part Number

- A. (1)-Mounting Hardware
- B. (1)-Back Plate
XAR604MKTGBKP11.751N
- C. (1)-Top cover
- D. (4)-Glass Panels; W13"*H19.25"
XAR604GLA19.251N
- E. (4)-Screws
- F. (1)-Bottom cage
- G. (4)-Machine Screws

