

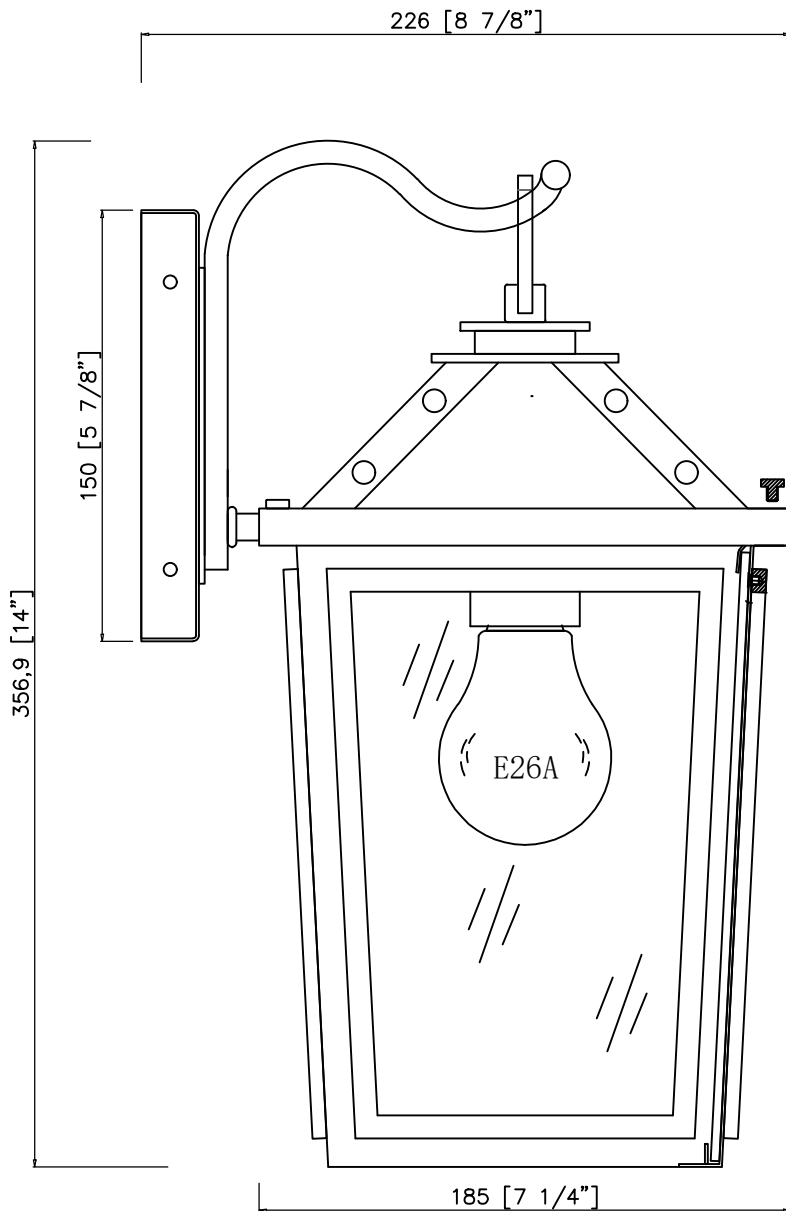
CRYSTORAMA



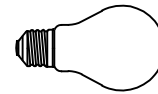
Crystorama.com

LIGHTING THE WAY FOR SIXTY YEARS

ASSEMBLY INSTRUCTION MODEL #HAW-601-MK-TG



All electrical components must be installed by a licensed electrician in accordance with the National Electric Code and the appropriate local electrical codes.



You will need 1 - Med. Bulb
40 Watts Recommended 60 Watts Max

USE LED BULBS FOR EXTENDED USE

THIS FIXTURE IS WET RATED

How to Install

1. Remove the top cover by loosening the cap nuts and install the bulb into the socket.
2. Insert the glass into the bottom cage and secure with the clip.
3. Install the mounting plate onto the outlet box using two outlet box screws.
4. Place the top cover onto the bottom cage and secure with the cap nuts.
5. Place the back plate over the mounting plate and secure with the screws.



WARNING: This product can expose you to Lead, which is known to the State of California to cause cancer and/or birth defects or reproductive harm. For more information go to www.P65Warnings.ca.gov

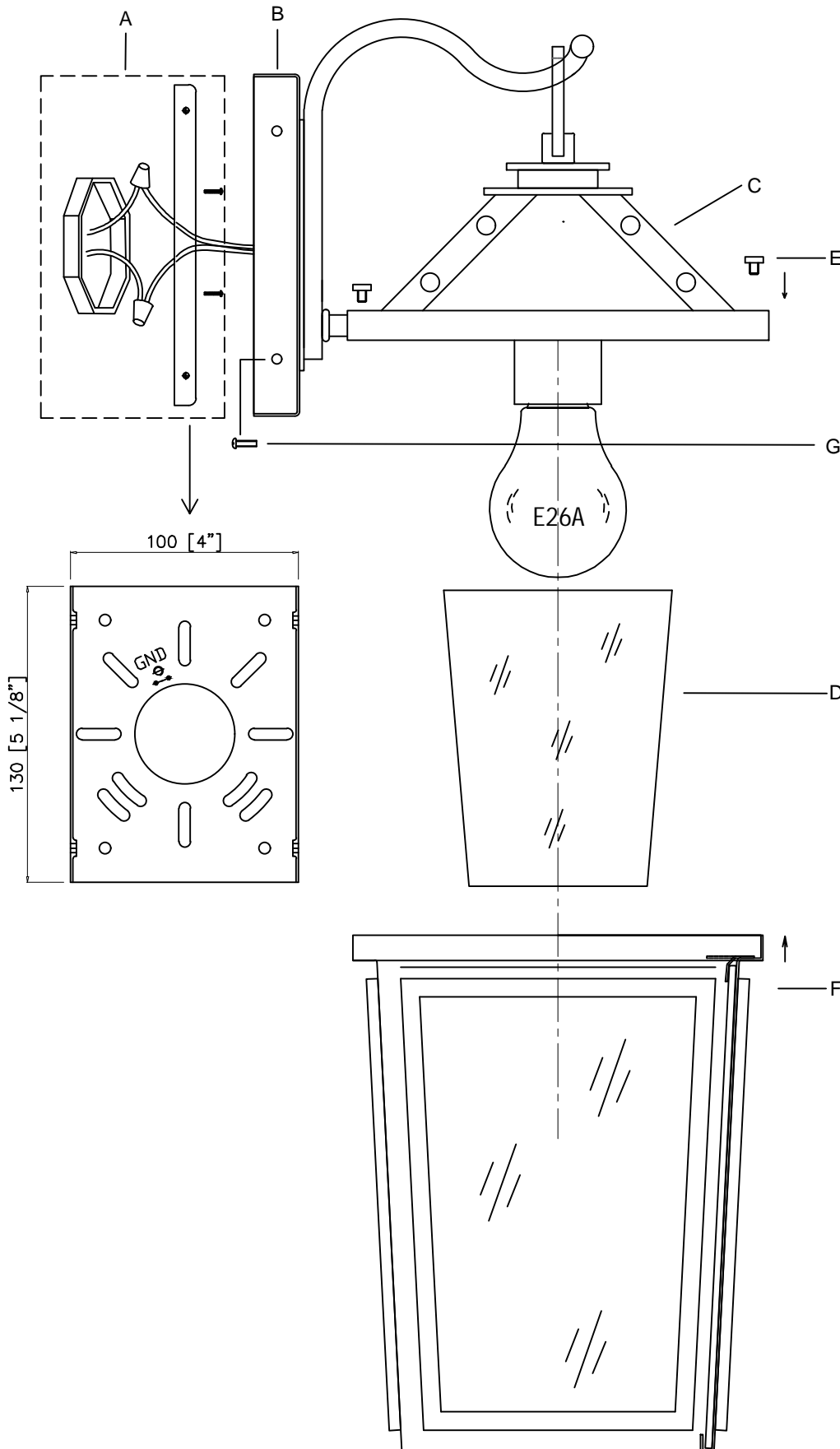
CRYSTORAMA

LIGHTING THE WAY FOR SIXTY YEARS



Crystorama.com

ASSEMBLY INSTRUCTION MODEL #HAW-601-MK-TG



Part Number

- A. (1)-Mounting Hardware
- B. (1)-Back Plate
XAR601MKTGBKP61N
- C. (1)-Top cover
- D. (4)-Glass Panels; W5.9"*H8.25 "
XAR601GLA8.251N
- E. (4)-Cap nut
- F. (1)-Bottom cage
- G. (4)-Screws