

# CRYSTORAMA

LIGHTING THE WAY FOR SIXTY YEARS



Crystorama.com

ASSEMBLY INSTRUCTION MODEL #GRG-1043-AG

Drawing (1)



All electrical components must be installed by a licensed electrician in accordance with the National Electric Code and the appropriate local electrical codes.



**You will need 3-Cand. Bulb**

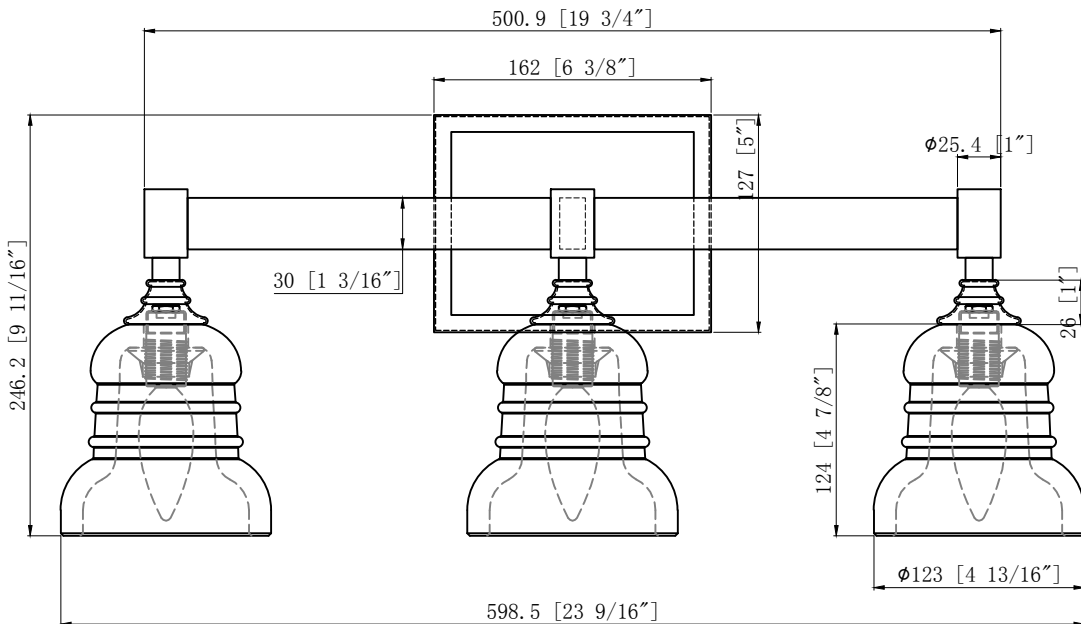
25 Watts Recommended 40 Watts Max.

USE LED BULBS FOR EXTENDED USE

THIS FIXTURE IS DAMP RATED

How to install for hanging:

1. Determine the desired location you'd like to put this fixture on the wall, and mark four points on it with the same distance as the holes on the mounting plate.
2. Drill the holes at the marked points and insert the anchors into the holes in the wall, and attach the mounting plate onto the wall using the anchor screws.
3. Attach the mounting plate onto the outlet box using two outlet box screws.
4. Attach the backplate onto the mounting plate and secure with the screws.
5. Install the glass shade over the socket and secure with the socket ring using the wrench.



**WARNING:** This product can expose you to Lead which is known to the state of California to cause cancer and/or birth defects or reproductive harm. For more information go to [www.P65Warnings.ca.gov](http://www.P65Warnings.ca.gov)

# CRYSTORAMA

LIGHTING THE WAY FOR SIXTY YEARS

PART NUMBER MODEL #GRG-1043-AG



Crystorama.com

## Part Number

### Part Numbers

- A. Mounting Hardware
  - (1) Mounting Plate
  - (4) Screws
  - (3) Wire Nut
  - (2) Outlet box Screws
  - (4) Anchor Screws
- B. (1) Backplate:  
W6.5" x H5" x D.5"  
XME1043AGBKP5IN
- C. (3) Socket
- D. (3) Glass Shade; W5" x H5",  
XME1040GLA5IN
- E. (3) Socket Ring
- F. (1) Wrench

